



**THE DATASHEET OF
SI5341D-B-GM**



Si5341, Si5340 Rev D Family Reference Manual

Ultra Low Jitter, Any-Frequency, Any Output Clock Generator: Si5341, Si5340 Rev D Family Reference Manual

The Si5341/40 Clock Generators combine MultiSynth™ technologies to enable any-frequency clock generation for applications that require the highest level of jitter performance. These devices are programmable via a serial interface with in-circuit programmable nonvolatile memory (NVM) ensuring power up with a known frequency configuration.

RELATED DOCUMENTS

- Si5341/0 Data Sheet
- Si5341/0 Device Errata
- Si5341/0 -EVB User Guide
- Si5341/0 -EVB Schematics, BOM & Layout
- IBIS models

Table of Contents

1. Overview	5
1.1 Work Flow Expectations with ClockBuilder Pro and the Register Map	5
1.2 Family Product Comparison	6
1.3 Available Software Tools and Support	7
2. Functional Description	8
2.1 Dividers	9
3. Powerup and Initialization	12
3.1 Reset and Initialization	12
3.1.1 Power Supply Sequencing	12
3.2 NVM Programming	13
4. Clock Inputs	15
4.1 Inputs on XA/XB	15
4.1.1 Crystal on XA/XB	15
4.1.2 Clock Input on XA/XB	16
4.2 Clock Inputs on IN2, IN1, IN0	17
4.3 Unused Inputs	17
4.4 Reference Input Selection (IN0, IN1, IN2, XA/XB)	18
4.5 Fault Monitoring	19
4.5.1 Status Indicators	20
4.5.2 Interrupt Pin (INTRb)	21
5. Output Clocks	22
5.1 Outputs	22
5.2 Performance Guidelines for Outputs	22
5.3 Output Signal Format	23
5.3.1 Differential Output Terminations	24
5.3.2 Differential Amplitude Controls	24
5.3.3 Output Driver Settings for LVPECL, LVDS, HCSL, and CML	25
5.3.4 LVCMOS Output Terminations	26
5.3.5 LVCMOS Output Impedance and Drive Strength Selection	27
5.3.6 LVCMOS Output Signal Swing	27
5.3.7 LVCMOS Output Polarity	28
5.3.8 Output Enable/Disable	29
5.3.9 Output Driver State When Disabled	30
5.3.10 Synchronous/Asynchronous Output Disable Feature	30
5.4 Output Crosspoint	31
5.5 Zero Delay Mode	32
6. Digitally Controlled Oscillator (DCO) Modes	34
6.1 Using the N Dividers for DCO Applications	34

6.1.1 DCO with Frequency Increment/Decrement Pins/Bits34
6.1.2 DCO with Direct Register Writes34
6.2 Using the M Divider for DCO Applications34
7. Dynamic PLL Changes.	35
7.1 Revisions B and A35
7.2 Revision D35
7.3 Dynamic Changes to Output Frequencies without Changing PLL Settings36
7.4 Dynamic Changes to Output Frequencies while Changing PLL Settings Using a CBPro Register Map36
8. Serial Interface.	37
8.1 I ² C Interface38
8.2 SPI Interface.40
9. Field Programming	44
10. Recommended Crystals and External Oscillators	45
11. Crystal and Device Circuit Layout Recommendations.	46
11.1 64-Pin QFN Si5341 Layout Recommendations46
11.1.1 Si5341 Applications without a Crystal46
11.1.2 Si5341 Crystal Layout Guidelines47
11.1.3 Output Clocks51
11.2 44-Pin QFN Si5340 Layout Recommendations52
11.2.1 Si5340 Applications without a Crystal as the Reference Clock52
11.2.2 Si5340 Crystal Guidelines53
12. Power Management	56
12.1 Power Management Features56
12.2 Power Supply Recommendations56
12.3 Grounding Vias56
12.4 Power Supply Sequencing57
13. Base vs. Factory Preprogrammed Devices	58
13.1 “Base” Devices (Also Known as “Blank” Devices)58
13.2 Factory Preprogrammed (Custom OPN) Devices58
14. Register Map	59
14.1 Register Map Overview and Default Settings Values59
14.2 Si5341 Register Map59
14.2.1 Page 0 Registers Si5341.60
14.2.2 Page 1 Registers Si5341.69
14.2.3 Page 2 Registers Si5341.73
14.2.4 Page 3 Registers Si5341.79
14.2.5 Page 9 Registers Si5341.82
14.2.6 Page A Registers Si534183

14.2.7	Page B Registers Si534184
14.3	Si5340 Registers84
14.3.1	Page 0 Registers Si534085
14.3.2	Page 1 Registers Si534094
14.3.3	Page 2 Registers Si534097
14.3.4	Page 3 Registers Si5340	103
14.3.5	Page 9 Registers Si5340	106
14.3.6	Page A Registers Si5340	107
14.3.7	Page B Registers Si5340	108
15.	Appendix—Setting the Differential Output Driver to Non-Standard Amplitudes	109
16.	Revision History	110

1. Overview

Using patented MultiSynth™ technology, the Si5341/40 generates up to 10 unique clock frequencies, each with 0 ppm frequency synthesis error. Each output clock has an independent VDDO reference and selectable signal format, simplifying format/level translation. The loop filter is fully integrated on-chip eliminating the risk of potential noise coupling associated with discrete solutions. The Si5341/40 is ideally suited for simplifying clock tree design by minimizing the number of timing components required. The Si5341/40 supports factory or in-circuit programmable non-volatile memory, enabling the device to power up in a user-specified configuration. The default configuration may be overwritten at any time by reprogramming the device via I2C/SPI.

1.1 Work Flow Expectations with ClockBuilder Pro and the Register Map

This reference manual is to be used to describe all the functions and features of the parts in the product family with register map details on how to implement them. It is important to understand that the intent is for customers to use the ClockBuilder Pro software to provide the initial configuration for the device. Although the register map is documented, all the details of the algorithms to implement a valid frequency plan are fairly complex and are beyond the scope of this document. Real-time changes to the frequency plan and other operating settings are supported by the devices. However, describing all the possible changes are not a primary purpose of this document. Refer to Applications Notes and [Knowledge Base](#) article links within the ClockBuilder Pro GUI for information on how to implement the most common, real-time frequency plan changes.

The primary purpose of the software is that it saves having to understand all the complexities of the device. The software abstracts the details from the user to allow focus on the high level input and output configuration, making it intuitive to understand and configure for the end application. The software walks the user through each step, with explanations about each configuration step in the process to explain the different options available. The software will restrict the user from entering an invalid combination of selections. The final configuration settings can be saved, written to an EVB and a custom part number can be created for customers who prefer to order a factory preprogrammed device. The final register maps can be exported to text files, and comparisons can be done by viewing the settings in the register map described in this document.

1.2 Family Product Comparison

The following table lists a comparison of the different family members.

Table 1.1. Product Selection Guide

Part Number	Number of Inputs	Number of Fractional Dividers	Number of Outputs	Package Type
Si5341	4	5	10	64-pin QFN
Si5340	4	4	4	44-pin QFN

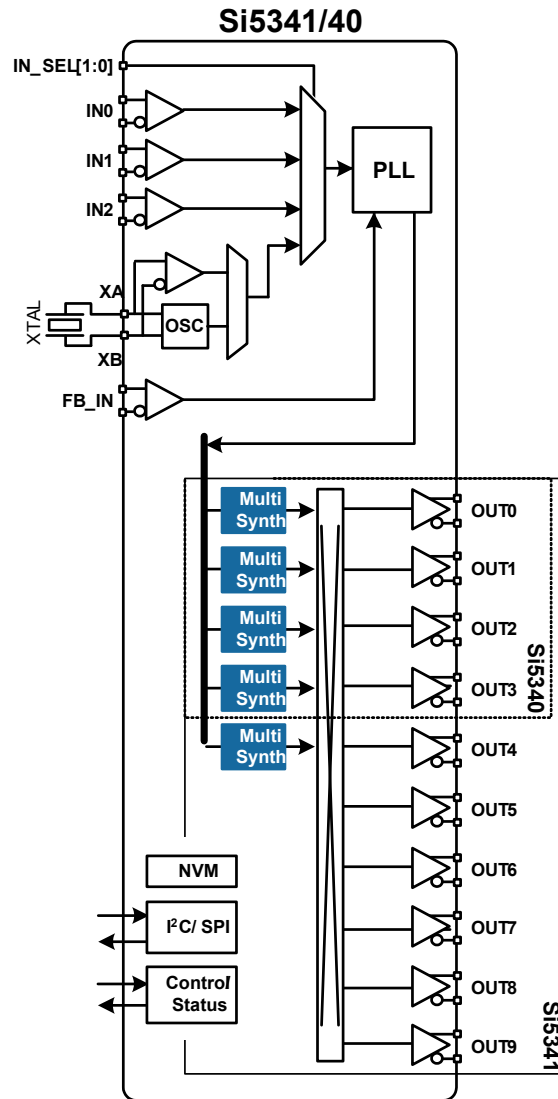


Figure 1.1. Block Diagram Si5341/40

1.3 Available Software Tools and Support

ClockBuilder Pro is a software tool that is used for the Si5341/40 family and other product families, capable of configuring the timing chip in an intuitive friendly step by step process. The software abstracts the details from the user to allow focus on the high level input and output configuration, making it intuitive to understand and configure for the end application. The software walks the user through each step, with explanations about each configuration step in the process to explain the different options available. The software will restrict the user from entering an invalid combination of selections. The final configuration settings can be saved, written to a device or written to the EVB and a custom part number can be created. ClockBuilder Pro integrates all the datasheets, application notes and information that might be helpful in one environment. It is intended that customers will use the software tool for the proper configuration of the device. Register map descriptions are given in the document should not be the only source of information for programming the device. The complexity of the algorithms is embedded in the software tool.

2. Functional Description

The Si5341/40 uses next generation MultiSynth™ technology to offer the industry's most frequency-flexible, high performance clock generator. The PLL locks to either an external crystal (XA/XB) or to an external input on XAXB, IN0, IN1 or IN2. The input frequency (crystal or external input) is multiplied by the DSPLL and divided by the MultiSynth™ stage (N divider) and R divider to any frequency in the range of 100 Hz to 712.5 MHz per output. The phase-locked loop is fully contained and does not require external loop filter components to operate. Its function is to phase lock to the selected input and provide a common reference to all the output MultiSynth high-performance fractional dividers (N). The high-resolution fractional MultiSynth™ dividers enables true any-frequency input to any-frequency on any of the outputs. A crosspoint mux connects any of the MultiSynth divided frequencies to any of the outputs drivers. Additional output integer dividers (R) provide further frequency division if required. The frequency configuration of the device is programmed by setting the input dividers (P), the DSPLL feedback fractional divider (M_NUM/M_DEN), the MultiSynth fractional dividers (N_NUM/N_DEN), and the output integer dividers (R). Skyworks' Clockbuilder Pro configuration utility determines the optimum divider values for any desired input and output frequency plan.

The output drivers offer flexible output formats which are independently configurable on each of the outputs. This clock generator is fully configurable via its serial interface (I²C/SPI) and includes in-circuit programmable non-volatile memory. The block diagram for the Si5341 is shown in [Figure 2.1 Si5341 Detailed Block Diagram on page 10](#), and the block diagram for the Si5340 is shown in [Figure 2.2 Si5340 Detailed Block Diagram on page 11](#).

2.1 Dividers

There are five divider classes within the Si5341/40. See [Figure 2.2 Si5340 Detailed Block Diagram on page 11](#) for a block diagram that shows all of these dividers.

- 1. Wide range input dividers Pfb, P2, P1, P0
 - Only integer divider values
 - Range is from 1 to $2^{16} - 1$
 - Since the input to the phase detector needs to be ≥ 10 MHz, the practical range is limited to ~ 75 on the high side.
 - Each divider has an update bit that must be written to cause a newly written divider value to take effect.
- 2. Narrow range input divider P_{axb}
 - Only divides by 1, 2, 4, 8
- 3. Feedback M divider
 - Ultra low jitter in fractional and integer modes
 - MultiSynth divider
 - Integer or fractional divide values
 - 44 bit numerator, 32 bit denominator
 - Practical range limited by phase detector range of 10–120 MHz and VCO range of 13500–14256 MHz
 - This divider has an update bit that must be written to cause a newly written divider value to take effect.
- 4. Output N dividers
 - Ultra low jitter in fractional and integer modes
 - MultiSynth divider
 - Integer or fractional divide values
 - 44 bit numerator, 32 bit denominator
 - Min value is 10
 - Maximum value is $2^{12} - 1$
 - Each N divider has an update bit that must be written to cause a newly written divider value to take effect. In addition there is a global update bit that when written updates all N dividers.
- 5. Output R divider
 - Only even integer divide values
 - Min value is 2
 - Maximum value is $2^{25} - 2$

Additionally, FSTEPW can be used to adjust the nominal output frequency in DCO mode. See [Section 6. Digitally Controlled Oscillator \(DCO\) Modes](#) for more information and block diagrams on DCO mode.

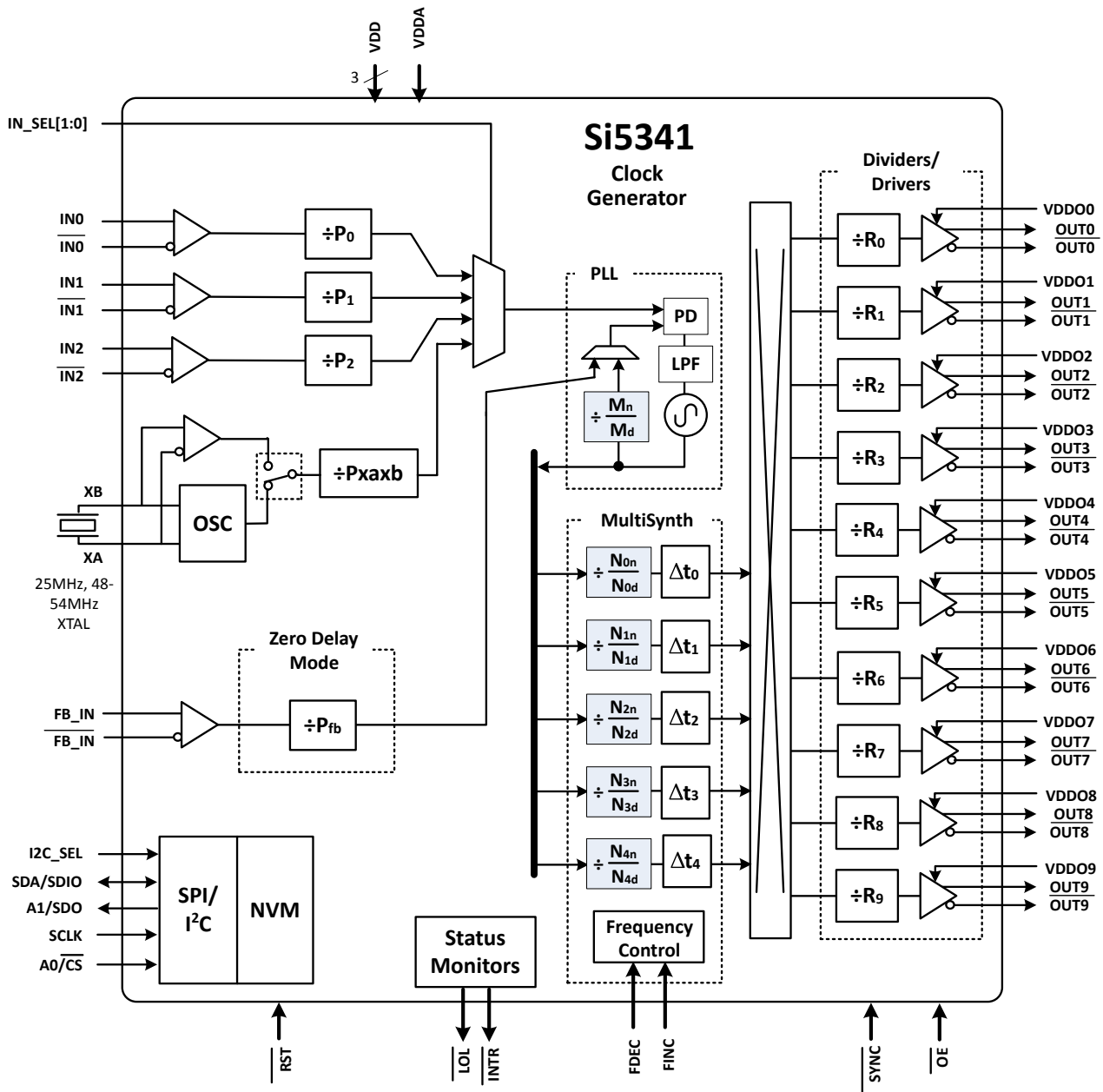


Figure 2.1. Si5341 Detailed Block Diagram

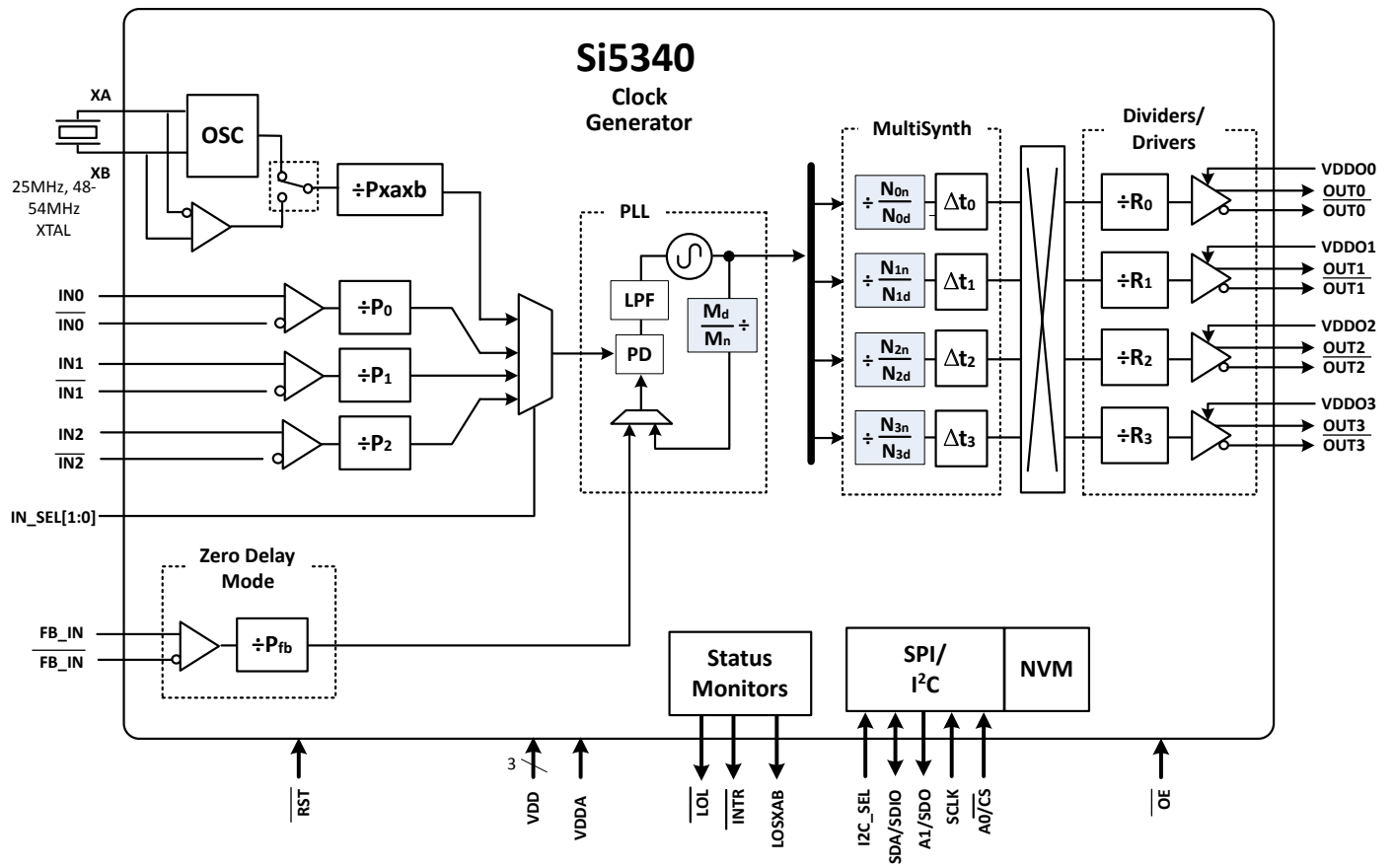


Figure 2.2. Si5340 Detailed Block Diagram

3. Powerup and Initialization

The following figure shows the powerup and initialization sequence.

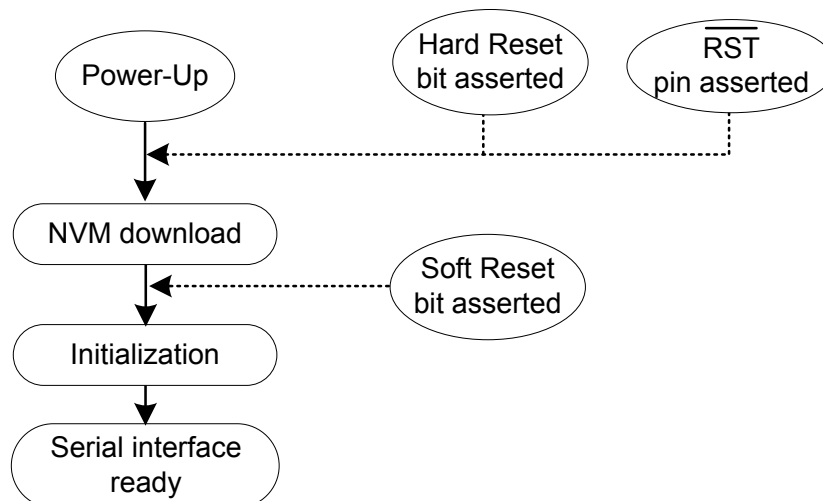


Figure 3.1. Power-Up and Initialization

3.1 Reset and Initialization

Once power is applied, the device begins an initialization period where it downloads default register values and configuration data from NVM and performs other initialization tasks. Communicating with the device through the serial interface is possible once this initialization period is complete. No clocks will be generated until the initialization is done. There are two types of resets available. A hard reset is functionally similar to a device power-up. All registers will be restored to the values stored in NVM, and all circuits will be restored to their initial state including the serial interface. A hard reset is initiated using the RSTb pin or by asserting the hard reset bit. A soft reset bypasses the NVM download. It is simply used to initiate register configuration changes.

Table 3.1. Reset Registers

Register Name	Hex Address [Bit Field]		Function
	Si5341	Si5340	
HARD_RST	001E[1]	001E[1]	Performs the same function as power cycling the device. All registers will be restored to their default values.
SOFT_RST	001C[0]	001C[0]	Performs a soft reset. Resets the device while it does not re-download the register configuration from NVM.

The Si541/40 is fully configurable using the serial interface (I²C or SPI). At power up the device downloads its default register values from internal non-volatile memory (NVM). Application specific default configurations can be written into NVM allowing the device to generate specific clock frequencies at power-up. Writing default values to NVM is in-circuit programmable with normal operating power supply voltages applied to its VDD (1.8 V) and VDDA (3.3 V) pins.

3.1.1 Power Supply Sequencing

If the output clocks do not need to have a specific phase/delay relationship between them the timing of the power supplies coming up to full voltage is irrelevant. However, if the phase/delay of any output clock to any other output clock is important, then the VDDO of the relevant clock output must come up to full voltage before VDD and VDDA voltages are applied. See . Voltage can always be applied to the VDDS pin regardless of any output clock alignment.

3.2 NVM Programming

Devices have two categories of non-volatile memory: user NVM and Factory (Skyworks) NVM. Each type is segmented into NVM banks. There are three NVM banks, one of which is used for factory programming (whether a base part or an Orderable Part Number). Two user NVM banks remain; therefore, the device NVM can be re-programming in the field up to two times. Factory NVM cannot be modified, and contains fixed configuration information for the device.

The ACTIVE_NVM_BANK device setting can be used to determine which user NVM bank is currently being used and therefore how many banks, if any, are available to burn. The following table describes possible values:

Table 3.2. NVM Bank Burning Values

Active NVM BANK Value (Decimal)	Number of User Banks Burned	Number of User Banks Available to Burn
3 (factory state)	1	2
15	2	1
63	3	0

Note: While polling DEVICE_READY during the procedure below, the following conditions must be met to ensure the correct values are written into the NVM:

- VDD and VDDA power must both be stable throughout the process.
- No additional registers may be written or read during DEVICE_READY polling. This includes the PAGE register at address 0x01. DEVICE_READY is available on every register page, so no page change is needed to read it.
- Only the DEVICE_READY register (0xFE) should be read during this time.

The procedure for writing registers into NVM is as follows:

1. Write registers as needed for desired device operation. Verify device operation to ensure the device is configured correctly before proceeding. Do not skip this important step.
2. You may write to the user scratch space (Registers 0x026B to 0x0272 DESIGN_ID0-DESIGN_ID7) to identify the contents of the NVM bank.
3. Write 0xC7 to NVM_WRITE register. This starts the internal NVM burn sequence, writing NVM from the internal registers. Do not access ANY other registers than DEVICE_READY during the NVM burn process. Doing so may corrupt the NVM burn in progress.
4. Poll DEVICE_READY until DEVICE_READY=0x0F (waiting for completion of NVM burn sequence).
5. Set NVM_READ_BANK 0x00E4[0]=1. This will download the NVM contents back into non-volatile memory (registers).
6. Poll DEVICE_READY until DEVICE_READY=0x0F (waiting for NVM download to complete).
7. Read ACTIVE_NVM_BANK and verify that the value is the next highest value in the table above. For example, from the factory it will be a 3. After NVM_WRITE, the value will be 15.

Alternatively, steps 5 and 6 can be replaced with a Hard Reset, either by RSTb pin, HARD_RST register bit, or power cycling the device to generate a POR. All of these actions will load the new NVM contents back into the device registers.

The ClockBuilder Pro Field Programmer kit is a USB attached device to program supported devices either in-system (wired to your PCB) or in-socket (by purchasing the appropriate field programmer socket). ClockBuilder Pro software is then used to burn a device configuration (project file). Learn more at <https://www.skyworksinc.com/en/products/timing/evaluation-kits/general/clockbuilder-pro-field-programmer>.

Table 3.3. NVM Programming Registers

Register Name	Hex Address [Bit Field]	Function
ACTIVE_NVM_BANK	0x00E2[7:0]	Identifies the active NVM bank.
NVM_WRITE	0x00E3[7:0]	Initiates an NVM write when written with value 0xC7.
NVM_READ_BANK	0x00E4[0]	Download register values with content stored in NVM.
DEVICE_READY	0x00FE[7:0]	Indicates that the device is ready to accept commands when value = 0x0F.

Warning: Any attempt to read or write any register other than `DEVICE_READY` before `DEVICE_READY` reads as `0x0F` may corrupt the NVM programming and may corrupt the register contents, as they are read from NVM. Note that this includes accesses to the `PAGE` register.

4. Clock Inputs

The PLL in the Si5341/40 requires a clock at the XAXB or IN2, 1, 0 input pins or a clock from a crystal connected across the XAXB pins.

4.1 Inputs on XA/XB

4.1.1 Crystal on XA/XB

An external standard crystal (XTAL) is connected to XA/XB when this input is configured as a crystal oscillator. A crystal frequency of 25 MHz can be used although crystals in the frequency range of 48 MHz to 54 MHz are recommended for the best jitter performance. Recommended crystals are listed below. The Si5341/40 includes a built-in XTAL load capacitance (C_L) of 8 pF, but crystals with CL specifications as high as 18 pF can also be used. When using crystals with CL specs higher than 8 pF it is not generally recommended to use external capacitors from XA/XB to ground to increase the crystal load capacitance. Rather the frequency offset due to C_L mismatch can be adjusted using the XAXB_FREQ_OFFSET word which allows frequency adjustments of up to ± 1000 ppm. See [11. Crystal and Device Circuit Layout Recommendations](#) for the PCB layout guidelines.

4.1.2 Clock Input on XA/XB

An external clock can also be input on the XA/XB pins. Selection between the external crystal or clock is controlled by register configuration. The internal crystal load capacitors (C_L) are disabled in external clock mode. Because the input buffer at XA/XB is a lower noise buffer than the buffers on IN2,1,0, a very clean input clock at XA/XB, such as a very high quality TCXO or XO, will, in some cases, produce lower output clock jitter than the same input at IN2,1,0. If the XAXB input is unused and powered down then the XA and XB inputs can be left floating. Note that ClockBuilder Pro will power down the XAXB input if it is selected as “unused”. If XAXB is powered up but no input is applied then the XA input should be left floating and the XB input must be connected directly to ground. Both a single-ended or a differential clock can be connected to the XA/XB pins as shown in the following figure:

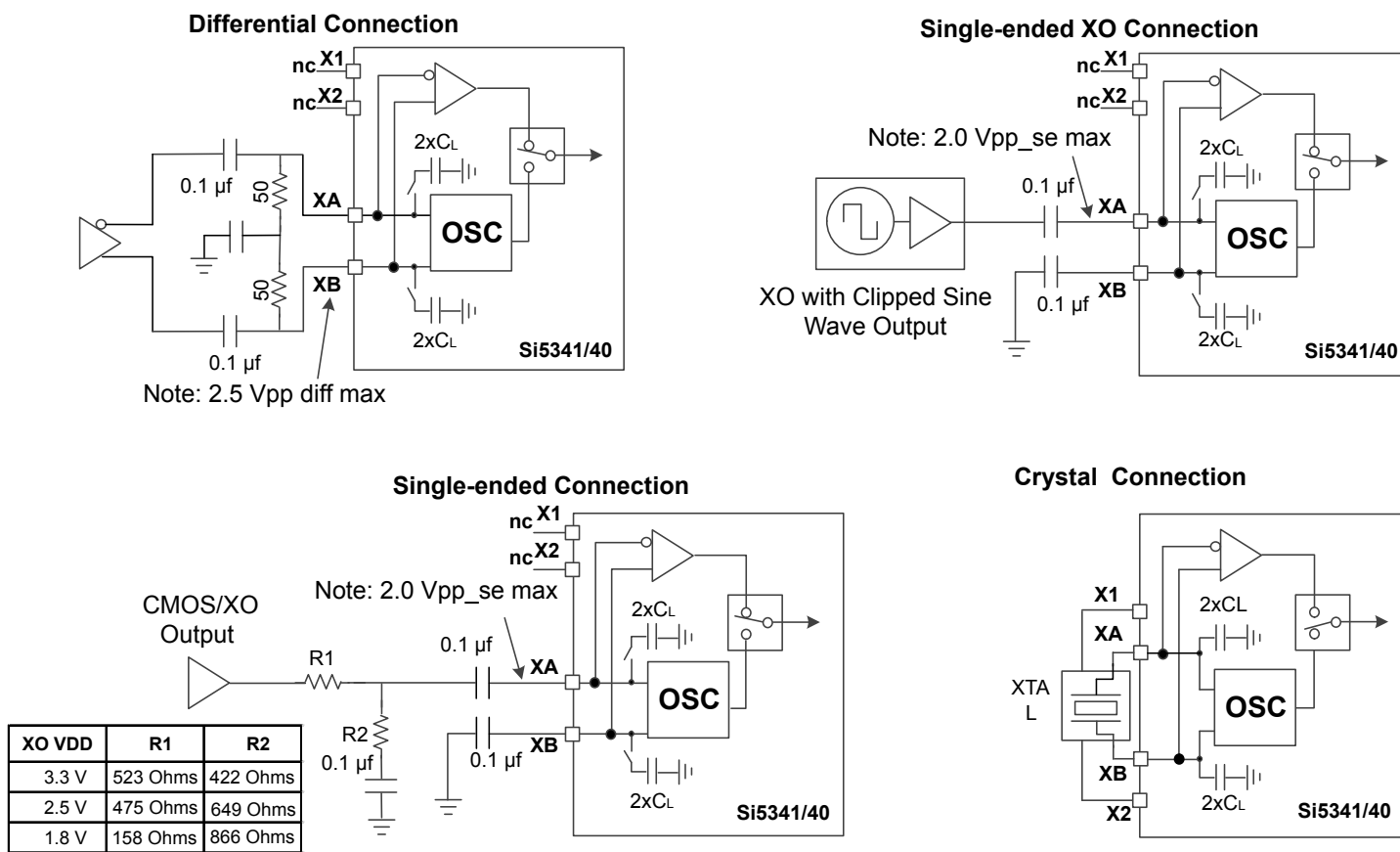


Figure 4.1. Crystal Resonator and External Reference Clock Connection Options

In addition to crystal operations, a clipped sine wave, CMOS, or differential reference clock is also accepted on the XA/XB interface. Most clipped sine wave and CMOS TCXOs have insufficient drive strength to drive a 100 Ω or 50 Ω load. For this reason, place the TCXO as close to the Si5340/41 as possible to minimize PCB trace length. In addition, ensure that both the Si5340/41 and the TCXO are both connected directly to the ground plane. The above figure includes the recommended method of connecting a clipped sine wave TCXO to the Si5340/41. Because the Si5340/41 provides DC bias at the XA and XB pins, the ~800 mV peak-peak swing can be input directly into the XA interface of the Si5340/41 once it has been ac-coupled.

The above figure also illustrates the recommended method of connecting a CMOS rail-to-rail output to the XA/XB inputs. Because the signal is single-ended, the XB input is ac-coupled to ground. The resistor network attenuates the rail-to-rail output swing to ensure that the maximum input voltage swing at the XA pin is less than the data sheet specification. The signal is ac-coupled before connecting it to the Si5340/41 XA input. Again, since the signal is single-ended, the XB input should be ac-coupled to ground.

If an external oscillator is used as the XAXB reference, it is important to use a low jitter source because there is effectively no jitter attenuation from the XAXB pins to the outputs. To minimize jitter at the XA/XB pins, the rise time of the XA/XB signals should be as fast as possible.

For best jitter performance, use a XAXB frequency above 40 MHz. Also, for XAXB frequencies higher than 125 MHz, the PXAXB control must be used to divide the input frequency down below 125 MHz.

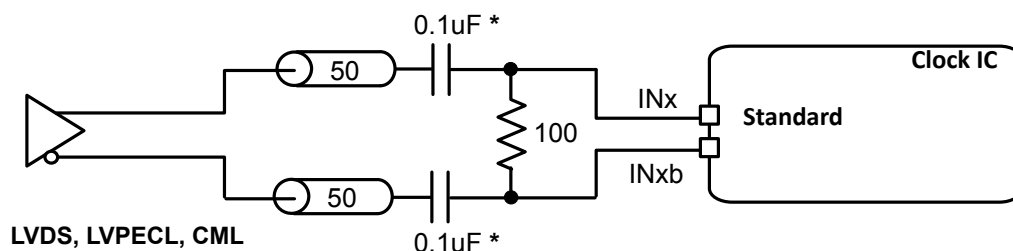
In most applications, using the internal OSC with an external crystal provides the best phase noise performance. See [AN905: External References; Optimizing Performance](#) for more information on the performance of various XO's with these devices.

The recommended crystal and oscillator suppliers are listed in the [Si534x/8x Jitter Attenuators Recommended Crystal, TCXO and OCXOs Reference Manual](#).

4.2 Clock Inputs on IN2, IN1, IN0

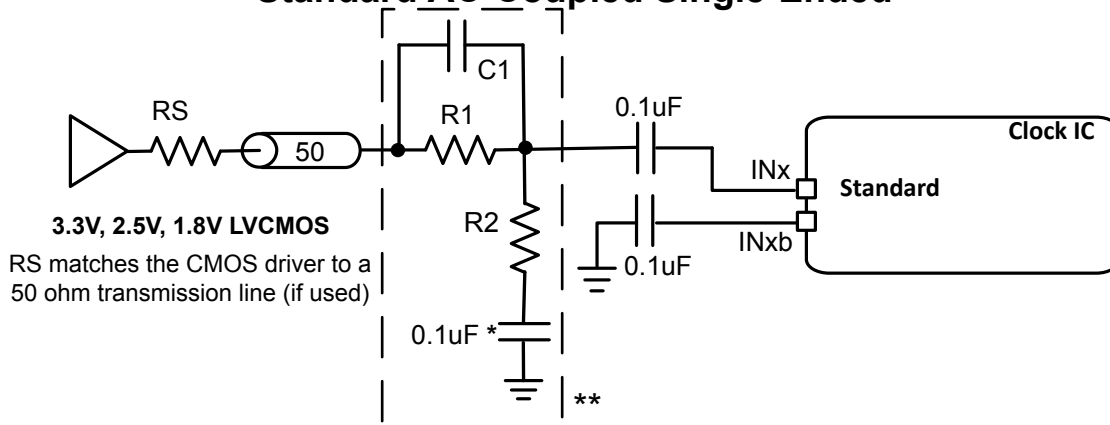
A single ended or differential clock may be input to the IN2, 1, 0 inputs as shown below. All input signals must be ac-coupled. When INx (x = 0, 1, 2) is unused and powered down the plus and minus input can be left floating. ClockBuilder Pro will power down any INx input that is selected as “unused.” If any INx is powered up but does not have any input signal then the plus input should be left floating and the minus input should be directly connected to ground. If the plus input is left floating and the minus input is connected to ground with a 4.7 k Ω or smaller resistor, then the INx can be powered up or down when it does not have an input. The recommended input termination schemes are shown in the figure below. Unused inputs can be disabled by register configuration.

Standard AC-Coupled Differential



* These caps should have < ~5 ohms capacitive reactance at the clock input frequency.

Standard AC-Coupled Single-Ended



*This cap should have less than ~20 ohms of capacitive reactance at the clock input frequency.

** Only when 3.3V LVCMOS driver is present, use R2 = 845 ohm and R1 = 267 ohm if needed to keep the signal at INx < 3.6 Vpp_{se}. Including C1 = 6 pf may improve the output jitter due to faster input slew rate at INx. If attenuation is not needed for INx < 3.6Vpp_{se}, make R1 = 0 ohm and omit C1, R2 and the capacitor below R2. C1, R1, and R2 should be physically placed as close as practicle to the device input pins.

Figure 4.2. Terminations for Differential and Single-Ended Inputs

4.3 Unused Inputs

Unused inputs can be disabled and left unconnected. Register 0x0949[3:0] defaults the input clocks to being enabled. Clearing the unused input bits will disable them. Enabled inputs not actively being driven by a clock may benefit from pull up or pull down resistors to avoid them responding to system noise.

4.4 Reference Input Selection (IN0, IN1, IN2, XA/XB)

The active clock input is selected using the IN_SEL1,0 pins or by register control. The register bit IN_SEL_REGCTRL determines input selection as pin or register selectable. If the selected input does not have a clock, all output clocks will be shut off.

Table 4.1. Manual Input Selection Using IN_SEL[1:0] Pins

IN_SEL[1:0]		Selected Input
0	0	IN0
0	1	IN1
1	0	IN2
1	1	XA/XB

Table 4.2. Input Control Registers

Register Name	Hex Address [Bit Field]		Function
	Si5341	Si5340	
XAXB_FREQ_OFFSET	0202[7:0]–0205[7:0]		Adjusts for crystal load capacitance mismatch causing oscillation frequency errors up to ± 1000 ppm. This word is in 2s complement format. The XAXB_FREQ_OFFSET word is added to the M divider numerator.
XAXB_EXTCLK_EN	090E[0]		Selects between the XTAL or external reference clock on the XA/XB pins. Default is 0, XTAL. Set to 1 to use an external reference oscillator
IN_SEL_REGCTRL	0021[0]		Determines pin or register clock input selection.
IN_SEL	0021[2:1]		Selects the input when in register input selection mode.
IN_EN	0949[3:0]		Allows enabling/disabling IN0, IN1, IN2 and FB_IN when not in use.

Table 4.3. XAXB Pre-Scale Divide Ratio Register

Setting Name	Hex Address [Bit Field]	Function
PXAXB	0x0206[1:0]	Sets the XAXB input divider value according to the table below.

The following table lists the values, along with the corresponding divider ratio.

Table 4.4. XAXB Pre-Scale Divide Values

Value (Decimal)	PXAXB Divider Value
0	1
1	2
2	4
3	8

4.5 Fault Monitoring

The Si5341/40 provides fault indicators which monitor loss of signal (LOS) of the inputs (IN0, IN1, IN2, XA/XB, FB_IN) and loss of lock (LOL) for the PLL. This is shown in the following figure.

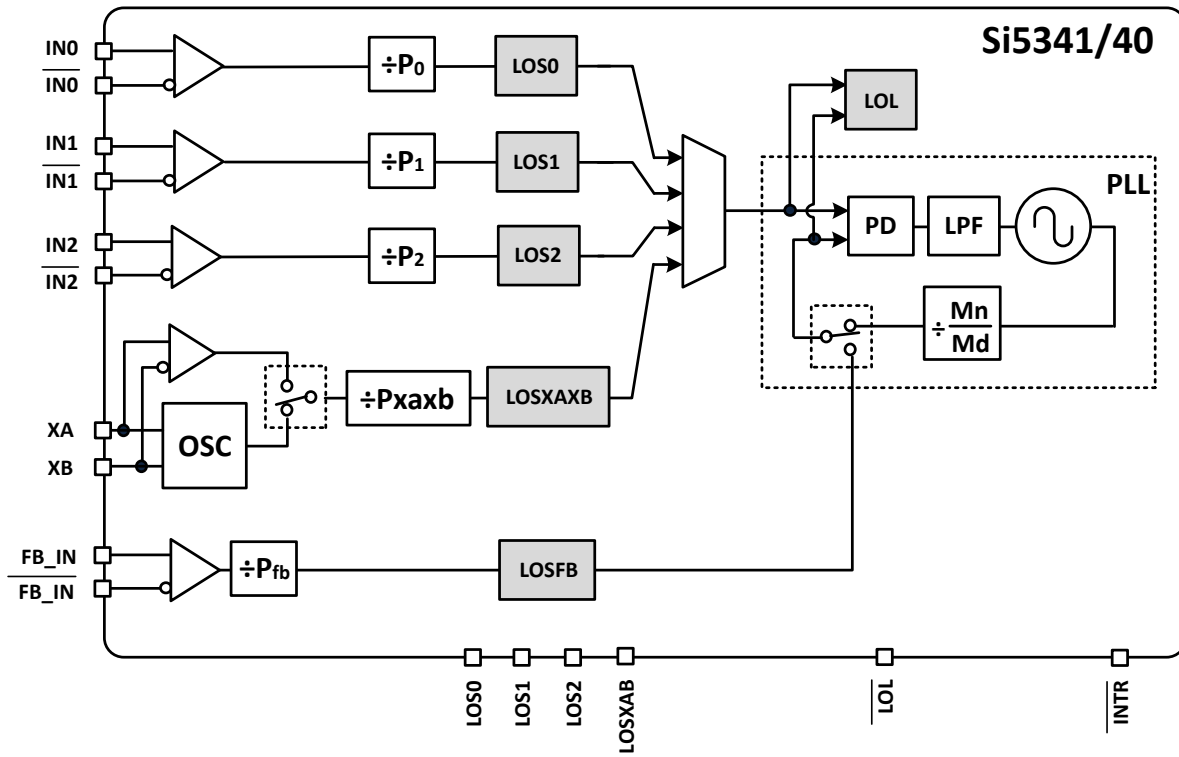


Figure 4.3. LOS and LOL Fault Monitors

4.5.1 Status Indicators

The state of the status monitors are accessible by reading registers through the serial interface or with dedicated pin (LOLb). Each of the status indicator register bits has a corresponding sticky bit (_FLG) in a separate register location. Once a status bit is asserted its corresponding _FLG bit will remain asserted until cleared. Writing a logic zero to a _FLG register bit clears its state.

Table 4.5. Status Monitor Bits (Si5341 and Si5340)

Setting Name	Hex Address [Bit Field]	Function
Status Register Bits		
SYSINCAL	0x000C[0]	Asserted when in calibration.
LOSAXB	0x000C[1]	Loss of Signal at the XA input. The XB input does not have an LOS detector.
LOSREF	0x000C[2]	Loss of Signal for the input that has been selected.
LOL	0x000C[3]	Loss of Lock for the PLL.
SMBUS_TIMEOUT	0x000C[5]	The SMB bus has a timeout.
LOSIN[3:0]	0x000D[3:0]	Loss of Signal for the FB_IN, IN2, IN1, IN0 inputs.
Sticky Status Register Bits		
SYSINCAL_FLG	0x0011[0]	Sticky bit for SYSINCAL
LOSAXB_FLG	0x0011[1]	Sticky bit for LOSAXB
LOSREF_FLG	0x0011[2]	Sticky bit for LOSREF
LOL_FLG	0x0011[3]	Sticky bit for LOL
SMBUS_TIMEOUT_FLG	0x0011[5]	Sticky bit for SMBUS_TIMEOUT
LOSIN_FLG	0x0012[3:0]	Sticky bit for FB_IN, IN2, IN1, IN0

4.5.2 Interrupt Pin (INTRb)

An interrupt pin (INTRb) is asserted (low) whenever any of the unmasked _FLG bits are asserted. All _FLG bits are maskable to prevent assertion of the interrupt pin. The state of the INTRb pin is reset by writing zeros to all _FLG bits that are set or by writing a 1 to mask all _FLG bits that are set.

Table 4.6. Interrupt Mask Bits

Setting Name	Hex Address [Bit Field]	Function
	Si5341 and Si5342	
SYSINCAL_INTR_MSK	0x0017[0]	1 = SYSINCAL_FLG is prevented from asserting the INTR pin
LOSXAXB_INTR_MSK	0x0017[1]	1 = LOSXAXB_FLG is prevented from asserting the INTR pin
LOSREF_INTR_MSK	0x0017[2]	1 = LOSREF_FLG is prevented from asserting the INTR pin
LOL_INTR_MSK	0x0017[3]	1 = LOL_FLG is prevented from asserting the INTR pin
SMB_TMOUT_INTR_MSK	0x0017[5]	1 = SMBUS_TIMEOUT_FLG is prevented from asserting the INTR pin
LOSIN_INTR_MSK[3:0]	0x0018[3:0]	1 = LOS_FLG is prevented from asserting the INTR pin

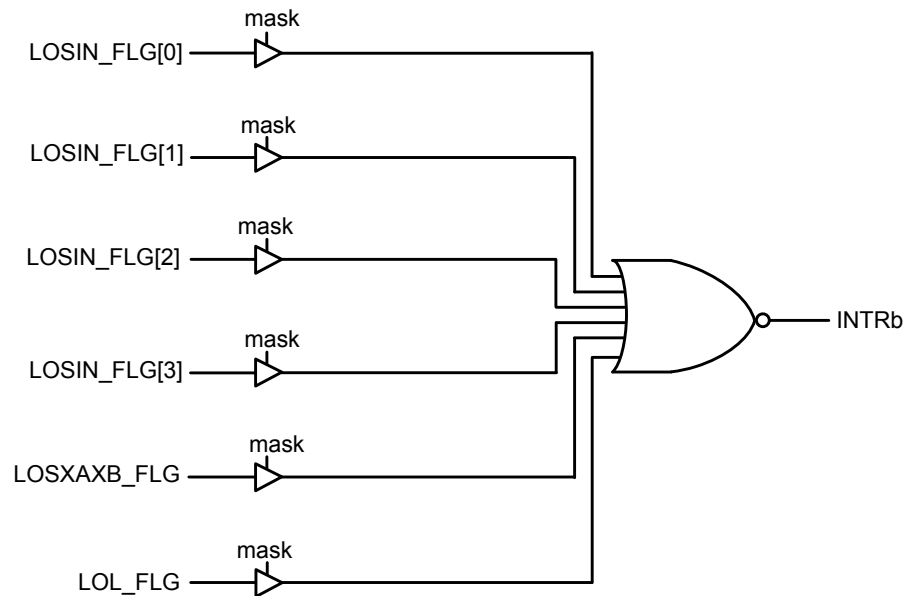


Figure 4.4. Interrupt Flags and Masks

5. Output Clocks

5.1 Outputs

The Si5341 supports ten differential output drivers which can be independently configured as differential or LVCMOS. The Si5340 supports four output drivers independently configurable as differential or LVCMOS.

5.2 Performance Guidelines for Outputs

Whenever a number of high-frequency, fast-rise-time, large amplitude signals are all close to one another, the laws of physics dictate that there will be some amount of crosstalk. The jitter of the Si5341/40 is so low that crosstalk can become a significant portion of the final measured output jitter. Some of the source of the crosstalk will be the Si5341/40, and some will be introduced by the PCB. It is difficult (and possibly irrelevant) to allocate the jitter portions between these two sources because the jitter can only be measured when an Si5341/40 is mounted on a PCB.

For extra fine tuning and optimization, in addition to following the usual PCB layout guidelines, crosstalk can be minimized by modifying the arrangements of different output clocks. For example, consider the following lineup of output clocks in the table below.

Table 5.1. Example of Output Clock Frequency Sequencing Choice

Output	Not Recommended (Frequency MHz)	Recommended (Frequency MHz)
0	155.52	155.52
1	156.25	155.52
2	155.52	622.08
3	156.25	Not used
4	200	156.25
5	100	156.25
6	622.08	625
7	625	Not used
8	Not used	200
9	Not used	100

Using this example, a few guidelines are illustrated:

1. Avoid adjacent frequency values that are close. A 155.52 MHz clock should not be next to a 156.25 MHz clock. If the jitter integration bandwidth goes up to 20 MHz, then keep adjacent frequencies at least 20 MHz apart.
2. Adjacent frequency values that are integer multiples of one another are okay and these outputs should be grouped accordingly. Noting that, because $155.52 \times 4 = 622.08$ and $156.25 \times 4 = 625$, it is acceptable to place 155.52 MHz close to 622.08 MHz and 156.25 MHz close to 625 MHz.
3. Unused outputs can be used to separate clock outputs that might otherwise interfere with one another. In this case, see OUT3 and OUT7.

If some outputs have tight jitter requirements while others are relatively loose, rearrange the clock outputs so that the critical outputs are the least susceptible to crosstalk. These guidelines typically only need to be followed by those applications that wish to achieve the highest possible levels of jitter performance. Because CMOS outputs have large pk-pk swings and do not present a balanced load to the VDDO supplies, CMOS outputs generate much more crosstalk than differential outputs. For this reason, CMOS outputs should be avoided whenever possible. When CMOS is unavoidable, even greater care must be taken with respect to the above guidelines. It is highly recommended that you consult [AN862: Optimizing Si534x Jitter Performance in Next Generation Internet Infrastructure Systems](#).

The ClockBuilder Pro Clock Placement Wizard is an easy way to reduce crosstalk for a given frequency plan. This feature can be accessed on the “Define Output Clocks” page of ClockBuilder Pro in the lower left hand corner of the page. It is recommended to use this tool after each project frequency plan change.

5.3 Output Signal Format

The differential amplitude is fully programmable covering a wide variety of signal formats including LVDS, LVPECL, HCSL. For CML or non-standard amplitude applications, see XREF Appendix A. The common-mode voltage must be set as required for LVDS or LVPECL or CML/non-standard amplitude levels. The differential formats can be either normal or low power. Low power format uses less power for the same amplitude but has the drawback of slower rise/fall times. The source impedance in low power format is much higher than 100 ohms. See XREF Appendix A for register settings to implement variable amplitude differential outputs. In addition to supporting differential signals, any of the outputs can be configured as LVCMOS (3.3, 2.5, or 1.8 V) drivers providing up to 20 single-ended outputs, or any combination of differential and single-ended outputs. Note also that CMOS output can create much more crosstalk than differential outputs so extra care must be taken in their pin replacement so that other clocks that need the lowest jitter are not on nearby pins. See [AN862: Optimizing Si534x Jitter Performance in Next Generation Internet Infrastructure Systems](#) for additional information.

Table 5.2. Output Signal Format Control Registers

Setting Name	Hex Address [Bit Field]		Function
	Si5341	Si5340	
OUT0_FORMAT	0109[2:0]	0113[2:0]	Selects the output signal format as normal differential, low power differential, in phase CMOS, or complementary CMOS.
OUT1_FORMAT	010E[2:0]	0118[2:0]	
OUT2_FORMAT	0113[2:0]	0127[2:0]	
OUT3_FORMAT	0118[2:0]	012C[2:0]	
OUT4_FORMAT	011D[2:0]	—	
OUT5_FORMAT	0122[2:0]	—	
OUT6_FORMAT	0127[2:0]	—	
OUT7_FORMAT	012C[2:0]	—	
OUT8_FORMAT	0131[2:0]	—	
OUT9_FORMAT	013B[2:0]	—	

5.3.1 Differential Output Terminations

The differential output drivers support both ac-coupled and dc-coupled terminations as shown in the figure below.

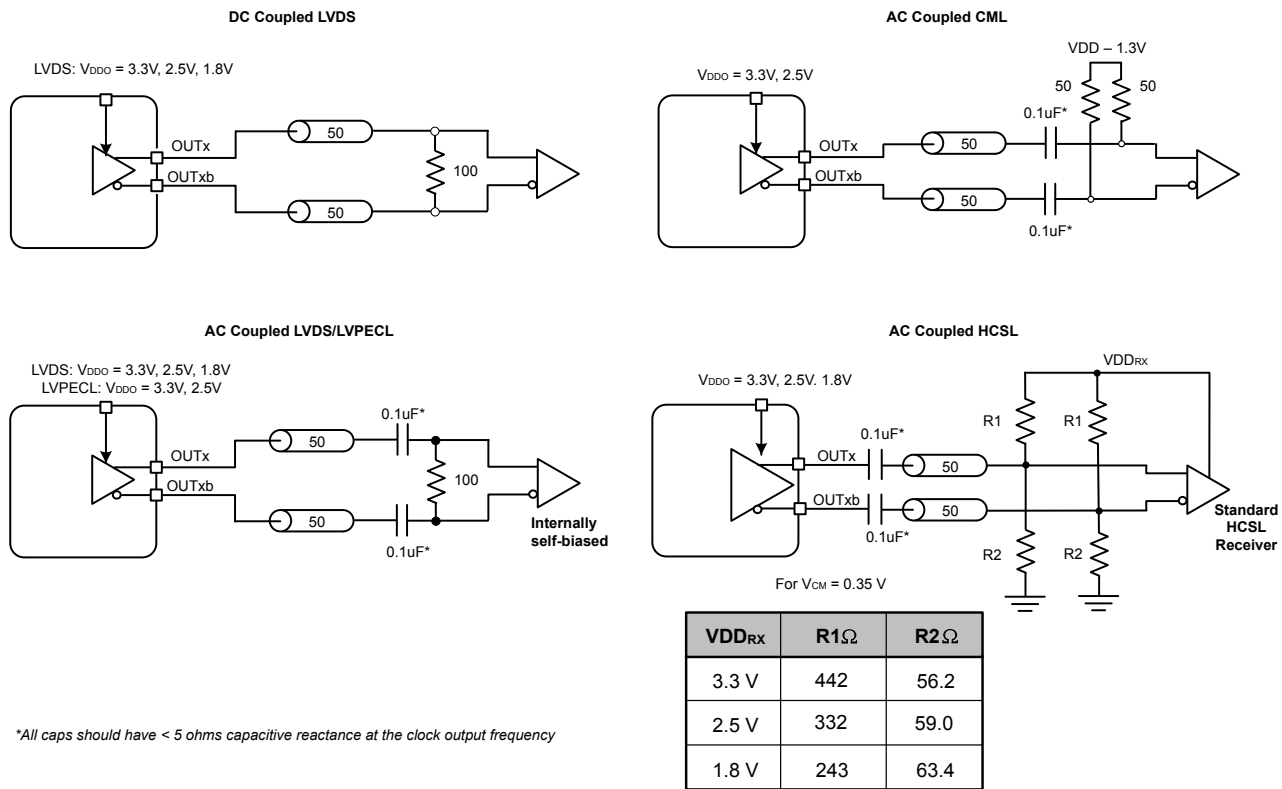


Figure 5.1. Supported Differential Output Terminations

5.3.2 Differential Amplitude Controls

The differential amplitude of each output can be controlled with the following registers. See XREF Appendix A for register settings for non-standard amplitudes.

Table 5.3. Differential Output Voltage Swing (Amplitude) Control Registers

Setting Name	Hex Address [Bit Field]		Function
	Si5341	Si5340	
OUT0_AMPL	010A[6:4]	0114[6:4]	Sets the voltage swing (amplitude) for the differential output drivers when in Normal differential format and Low Power differential format (Table 5.4 Settings for LVDS, LVPECL, and HCSL on page 25).
OUT1_AMPL	010F[6:4]	0119[6:4]	
OUT2_AMPL	0114[6:4]	0128[6:4]	
OUT3_AMPL	0119[6:4]	012D[6:4]	
OUT4_AMPL	011E[6:4]	—	
OUT5_AMPL	0123[6:4]	—	
OUT6_AMPL	0128[6:4]	—	
OUT7_AMPL	012D[6:4]	—	
OUT8_AMPL	0132[6:4]	—	
OUT9_AMPL	013C[6:4]	—	

5.3.3 Output Driver Settings for LVPECL, LVDS, HCSL, and CML

Each differential output has four settings for control:

1. Normal or Low Power Format
2. Amplitude (sometimes called Swing)
3. Common Mode Voltage
4. Stop High or Stop Low

The normal Format setting has a 100 Ω internal resistor between the plus and minus output pins. The Low Power Format setting removes this 100 Ω internal resistor and then the differential output resistance will be

> 500 Ω . However, as long as the termination impedance matches the differential impedance of the PCB traces, the signal integrity across the termination impedance will be good. For the same output amplitude, the Low Power Format will use less power than the Normal Format. The Low Power Format also has a lower rise/fall time than the Normal Format. See the Si5341/40 data sheet for the rise/fall time specifications. For LVPECL and LVDS standards, ClockBuilder Pro does not support the Low Power Differential Format. Stop High means that when the output driver is disabled, the plus output will be high, and the minus output will be low. Stop Low means that when the output driver is disabled, the plus output will be low, and the minus output will be high.

Differential Normal Swing Mode—This is the usual selection for differential outputs and should be used, unless there is a specific reason to do otherwise. When an output driver is configured in normal swing mode, its output swing is selectable as one of 7 settings ranging from 200 mVpp_{se} to 800 mVpp_{se} in increments of 100 mV. The output impedance in the Normal Swing Mode is 100 Ω differential.

Differential High Swing Mode—When an output driver is configured in high swing mode, its output swing is configurable as one of 7 settings ranging from 400 mVpp_{se} to 1600 mVpp_{se} in increments of 200 mV. The output driver is in high impedance mode and supports standard 50 Ω PCB traces. The use of High Swing mode will result in larger pk-pk output swings that draw less power. The trade off will be slower rise and fall times.

Vpp_{diff} is 2 x Vpp_{se} as shown below:

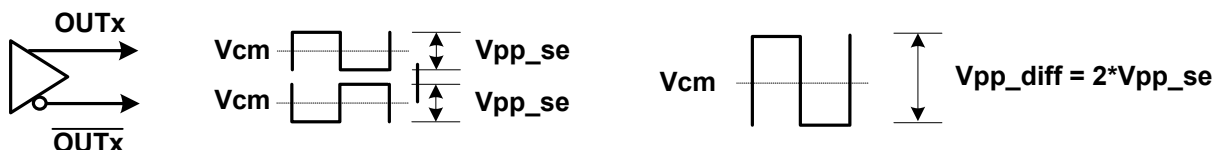


Figure 5.2. Vpp_{se} and Vpp_{diff}

The Format, Amplitude, and Common Mode settings for the various supported standards are shown in the following table.

Table 5.4. Settings for LVDS, LVPECL, and HCSL

OUTx_FORMAT	Standard	VDDO Volts	OUTx_CM (Decimal)	OUTx_AMPL (Decimal)
001 = Normal Differential	LVPECL	3.3	11	6
001 = Normal Differential	LVPECL	2.5	11	6
002 = Low Power Differential	LVPECL	3.3	11	3
002 = Low Power Differential	LVPECL	2.5	11	3
001 = Normal Differential	LVDS	3.3	3	3
001 = Normal Differential	LVDS	2.5	11	3
001 = Normal Differential	Sub-LVDS ¹	1.8	13	3
002 = Low Power Differential	LVDS	3.3	3	1
002 = Low Power Differential	LVDS	2.5	11	1
002 = Low Power Differential	Sub-LVDS ¹	1.8	13	1
002 = Low Power Differential	HCSL ²	3.3	11	3
002 = Low Power Differential	HCSL ²	2.5	11	3

OUTx_FORMAT	Standard	VDDO Volts	OUTx_CM (Decimal)	OUTx_AMPL (Decimal)
002 = Low Power Differential	HCSL ²	1.8	13	3

Note:

1. The common mode voltage produced is not compliant with LVDS standards, therefore ac coupling the driver to an LVDS receiver is highly recommended.
2. Creates HCSL compatible signal. See [Figure 5.1 Supported Differential Output Terminations on page 24](#).
3. The low-power format will cause the rise/fall time to increase by approximately a factor of two. See the Si5341/40 data sheet for more information.

The output differential driver can produce a wide range of output amplitudes that includes CML amplitudes. See XREF Appendix A for additional information.

5.3.4 LVCMOS Output Terminations

LVCMOS outputs are dc coupled as shown in the figure below.

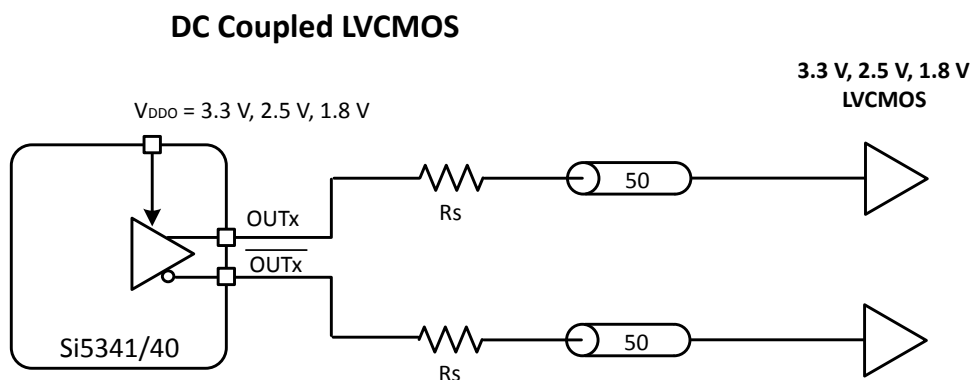


Figure 5.3. LVCMOS Output Terminations

5.3.5 LVCMOS Output Impedance and Drive Strength Selection

Each LVCMOS driver has a configurable output impedance to accommodate different trace impedances and drive strengths. A source termination resistor (R_s) is highly recommended to help match the selected output impedance to the trace impedance (i.e. $R_s \approx \text{Trace Impedance} - Z_s$). For the best signal integrity, Skyworks strongly recommends using the setting that produces the lowest source impedance and then choosing the proper external source resistor to produce the best signal shape at the end of the signal trace.

VDDO	OUTx_CMOS_DRV Value Setting	Source Impedance (Z_s)
3.3 V	0x01	38 Ω
	0x02	30 Ω
	0x03 ¹	22 Ω
2.5 V	0x01	43 Ω
	0x02	35 Ω
	0x03 ¹	24 Ω
1.8 V	0x02	46 Ω
	0x03 ¹	31 Ω

Note:

1. This setting is strongly recommended.

Table 5.5. LVCMOS Drive Strength Control Registers

Setting Name	Hex Address [Bit Field]		Function
	Si5341	Si5340	
OUT0_CMOS_DRV	0109[7:6]	0113[7:6]	LVCMOS output impedance. See previous table.
OUT1_CMOS_DRV	010E[7:6]	0118[7:6]	
OUT2_CMOS_DRV	0113[7:6]	0127[7:6]	
OUT3_CMOS_DRV	0118[7:6]	012C[7:6]	
OUT4_CMOS_DRV	011D[7:6]	—	
OUT5_CMOS_DRV	0122[7:6]	—	
OUT6_CMOS_DRV	0127[7:6]	—	
OUT7_CMOS_DRV	012C[7:6]	—	
OUT8_CMOS_DRV	0131[7:6]	—	
OUT9_CMOS_DRV	013B[7:6]	—	

5.3.6 LVCMOS Output Signal Swing

The signal swing (V_{OL}/V_{OH}) of the LVCMOS output drivers is set by the voltage on the VDDO pins. Each output driver has its own VDDO pin allowing a unique output voltage swing for each of the LVCMOS drivers.

5.3.7 LVCMOS Output Polarity

When a driver is configured as an LVCMOS output it generates a clock signal on both pins (OUTx and OUTxb). By default the clock on the OUTxb pin is generated with the opposite polarity (complementary) with the clock on the OUTx pin. The polarity of these clocks is configurable enabling in-phase clock generation and/or inverted polarity with respect to other output drivers.

Table 5.6. LVCMOS Output Polarity Control Registers

Setting Name	Hex Address [Bit Field]		Function																				
	Si5341	Si5340																					
OUT0_INV	010B[7:6]	0115[7:6]	Controls output polarity of the OUTx and OUTxb pins when in LVCMOS mode. Selections are as follows: <table border="1" data-bbox="883 575 1455 877"> <thead> <tr> <th>OUTx_INV</th> <th>OUTx</th> <th>OUTxb</th> <th>Comment</th> </tr> </thead> <tbody> <tr> <td>0 0</td> <td>CLK</td> <td>CLK</td> <td>Both in phase (default)</td> </tr> <tr> <td>0 1</td> <td>CLK</td> <td>CLKb</td> <td>OUTxb inverted</td> </tr> <tr> <td>1 0</td> <td>CLKb</td> <td>CLKb</td> <td>OUTx and OUTxb inverted</td> </tr> <tr> <td>1 1</td> <td>CLKb</td> <td>CLK</td> <td>OUTx inverted</td> </tr> </tbody> </table>	OUTx_INV	OUTx	OUTxb	Comment	0 0	CLK	CLK	Both in phase (default)	0 1	CLK	CLKb	OUTxb inverted	1 0	CLKb	CLKb	OUTx and OUTxb inverted	1 1	CLKb	CLK	OUTx inverted
OUTx_INV	OUTx	OUTxb		Comment																			
0 0	CLK	CLK		Both in phase (default)																			
0 1	CLK	CLKb		OUTxb inverted																			
1 0	CLKb	CLKb		OUTx and OUTxb inverted																			
1 1	CLKb	CLK		OUTx inverted																			
OUT1_INV	0110[7:6]	011A[7:6]																					
OUT2_INV	0115[7:6]	0129[7:6]																					
OUT3_INV	011A[7:6]	012E[7:6]																					
OUT4_INV	011F[7:6]	—																					
OUT5_INV	0124[7:6]	—																					
OUT6_INV	0129[7:6]	—																					
OUT7_INV	012E[7:6]	—																					
OUT8_INV	0133[7:6]	—																					
OUT9_INV	0138[7:6]	—																					

5.3.8 Output Enable/Disable

Clock outputs are disabled by four signals within Si5341/40 and the OEB pin:

- OUTALL_DISABLE_LOW
- SYSINCAL
- OUTx_OE
- LOL
- OEB pin

The following figure shows the logic of how these disable/enables occur.

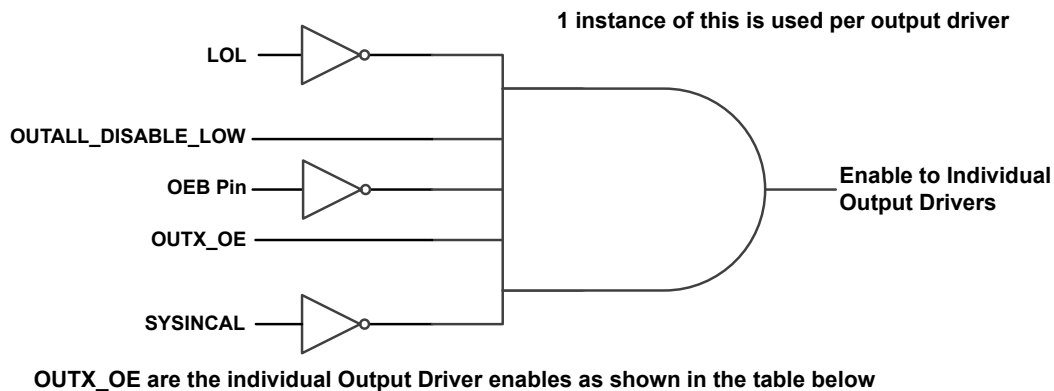


Figure 5.4. Output Enable

Table 5.7. Output Enable/Disable Control Registers

Setting Name	Hex Address [Bit Field]		Function
	Si5341	Si5340	
OUTALL_DISABLE_LOW	0102[0]		0 = Disables all outputs. 1 = All outputs are not disabled by this signal but may be disabled by other signals or the OEB pin. See figure above.
OUT0_OE	0108[1]	0112[1]	0 = Specific output disabled. 1 = Specific output is not disabled. The OEB pin or other signals within the device may be causing an output disable. See figure above.
OUT1_OE	010D[1]	0117[1]	
OUT2_OE	0112[1]	0126[1]	
OUT3_OE	0117[1]	012B[1]	
OUT4_OE	011C[1]	—	
OUT5_OE	0121[1]	—	
OUT6_OE	0126[1]	—	
OUT7_OE	012B[1]	—	
OUT8_OE	0130[1]	—	
OUT9_OE	013A[1]	—	

5.3.9 Output Driver State When Disabled

The disabled state of an output driver is configurable as: disable low, disable high, or disable mid. When set for disable mid, the output common mode voltage will stay nearly the same when disabled as when enabled. The output common mode voltage is maintained while the driver is disabled, reducing enable/disable transients. By contrast, powering down the driver rather than disabling it increases output impedance and shuts off the output common mode voltage. For all output drivers connected in the system, it is recommended to use Disable rather than Powerdown to reduce enable/disable common mode transients. Unused outputs may be left unconnected, powered down to reduce current draw, and, with the corresponding VDDOx, left unconnected.

Table 5.8. Output Driver Disable State Control Registers

Setting Name	Hex Address [Bit Field]		Function
	Si5341	Si5340	
OUT0_DIS_STATE	0109[5:4]	0113[5:4]	Determines the state of an output driver when disabled. Selectable as: <ul style="list-style-type: none"> • Disable logic low. • Disable logic high
OUT1_DIS_STATE	010E[5:4]	0118[5:4]	
OUT2_DIS_STATE	0113[5:4]	0127[5:4]	
OUT3_DIS_STATE	0118[5:4]	012C[5:4]	
OUT4_DIS_STATE	011D[5:4]	—	
OUT5_DIS_STATE	0122[5:4]	—	
OUT6_DIS_STATE	0127[5:4]	—	
OUT7_DIS_STATE	012C[5:4]	—	
OUT8_DIS_STATE	0131[5:4]	—	
OUT9_DIS_STATE	013B[5:4]	—	

5.3.10 Synchronous/Asynchronous Output Disable Feature

Outputs can be configured to disable synchronously or asynchronously. In synchronous disable mode the output will wait until a clock period has completed before the driver is disabled. This prevents unwanted runt pulses from occurring when disabling an output. In asynchronous disable mode the output clock will disable immediately without waiting for the period to complete.

Table 5.9. Synchronous Disable Control Registers

Setting Name	Hex Address [Bit Field]		Function
	Si5341	Si5340	
OUT0_SYNC_EN	0109[3]	0113[3]	When this bit is high, the output will turn on/off (enable/disable) without generating runt pulses or glitches. The default for this bit is high. When this bit is low, the outputs will turn on/off asynchronously. In this case, there may be glitches on the output when it turns on/off.
OUT1_SYNC_EN	010E[3]	0118[3]	
OUT2_SYNC_EN	0113[3]	0127[3]	
OUT3_SYNC_EN	0118[3]	012C[3]	
OUT4_SYNC_EN	011D[3]	—	
OUT5_SYNC_EN	0122[3]	—	
OUT6_SYNC_EN	0127[3]	—	
OUT7_SYNC_EN	012C[3]	—	
OUT8_SYNC_EN	0131[3]	—	
OUT9_SYNC_EN	013B[3]	—	

5.4 Output Crosspoint

The output crosspoint allows any of the N dividers to connect to any of the R dividers and output drivers. Note that each output driver has a specific R divider that is permanently attached and has the same subscript in the name, i.e., R3 and OUT3.

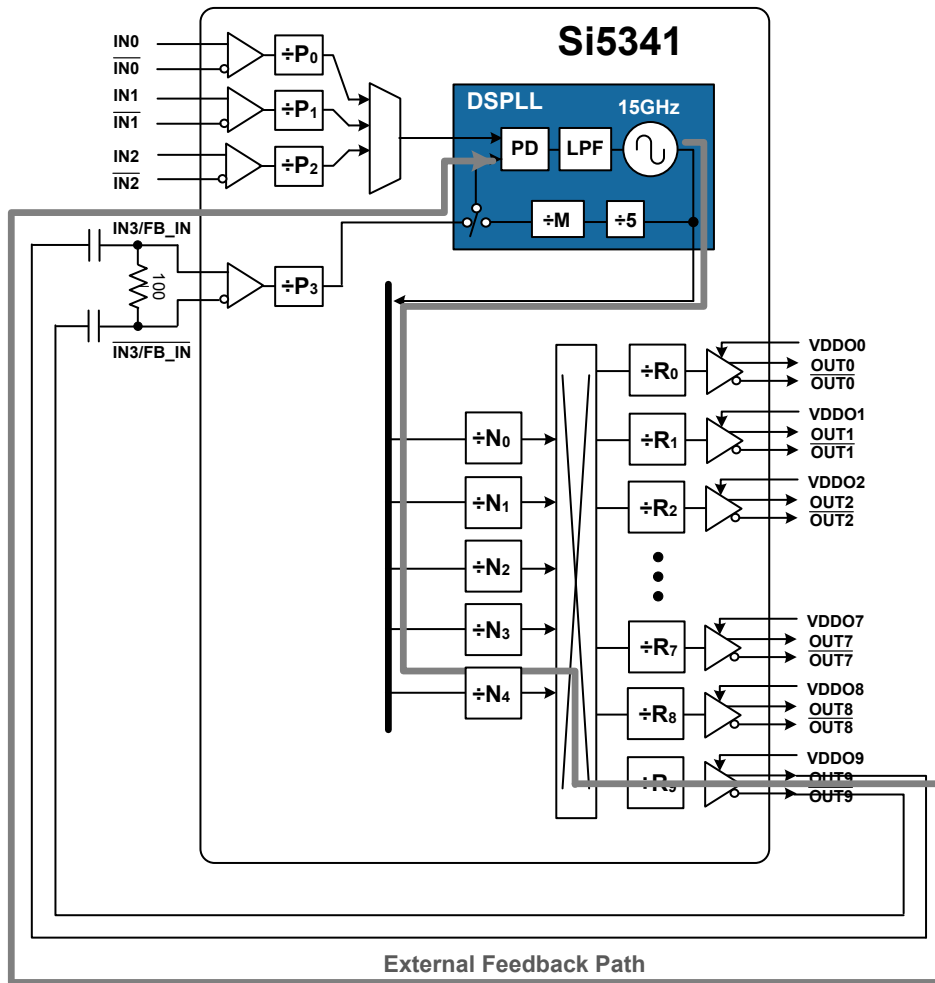
Table 5.10. Output Crosspoint Control Registers

Setting Name	Hex Address [Bit Field]		Function
	Si5341	Si5340	
OUT0_MUX_SEL	010B[2:0]	0115[2:0]	Connects the output drivers to one of the N dividers. Selections are N0, N1, N2, N3, and N4 for each output divider.
OUT1_MUX_SEL	0110[2:0]	011A[2:0]	
OUT2_MUX_SEL	0115[2:0]	0129[2:0]	
OUT3_MUX_SEL	011A[2:0]	012E[2:0]	
OUT4_MUX_SEL	011F[2:0]	—	
OUT5_MUX_SEL	0124[2:0]	—	
OUT6_MUX_SEL	0129[2:0]	—	
OUT7_MUX_SEL	012E[2:0]	—	
OUT8_MUX_SEL	0133[2:0]	—	
OUT9_MUX_SEL	013D[2:0]	—	

5.5 Zero Delay Mode

A zero delay mode is available for applications that require fixed and consistent minimum delay between the selected input and outputs. The zero delay mode is configured by opening the internal feedback loop through software configuration and closing the loop externally. This helps to cancel out the internal delay introduced by the dividers, the crosspoint, the input, and the output drivers. Any one of the outputs can be fed back to the FB_IN pins, although using the output driver that achieves the shortest trace length will help to minimize the input-to-output delay. The OUT9 and FB_IN pins are recommended for the external feedback connection in the Si5341. OUT3 and FB_IN pins are recommended for the external feedback in the Si5340. The FB_IN input pins must be terminated and ac-coupled when zero delay mode is used. A differential external feedback path connection is necessary for best performance. For this reason, customers should avoid using CMOS outputs for driving the external feedback path. Zero Delay Mode performance will degrade with low values of phase detector frequency (F_{pd}). For this reason, ClockBuilder Pro will not enable Zero Delay Mode with an F_{pd} of less than 128 kHz.

When the DSPLL is set for Zero-Delay Mode (ZDM), a hard reset request from either the RSTb pin or RST_REG register bit will have a delay of ~750 ms before executing. Any subsequent register writes to the device should be made after this time expires or they will be overwritten with the NVM values. Please contact Skyworks technical support for information on reducing this ZDM hard reset time.



Si5341 Zero Delay Mode Setup

The following table gives the register used for the Zero Delay mode.

Table 5.11. Zero Delay Mode Register:

Reg Address	Bit Field	Type	Setting Name	Description
0x091C	2:0	R/W	ZDM_EN	3 = Zero delay mode. 4 = Normal mode. All other values must not be written.

6. Digitally Controlled Oscillator (DCO) Modes

An output that is controlled as a DCO is useful for simple tasks such as frequency margining, CPU speed control, or just changing the output frequency. The output can also be used for more sophisticated tasks such as FIFO management by adjusting the frequency of the read or write clock to the FIFO or using the output as a variable Local Oscillator in a radio application.

6.1 Using the N Dividers for DCO Applications

The N dividers can be digitally controlled to so that all outputs connected to the N divider change frequency in real time without any transition glitches. There are two ways to control the N divider to accomplish this task:

- Use the Frequency Increment/Decrement Pins or register bits.
- Write directly to the numerator or denominator of the N divider.

The output N divider can be changed from its minimum value of 10 to its maximum value of 4095 in very small fractional increments or a single very large increment. Each N divider has a value of Nx_NUM/Nx_DEN . Nx_NUM is a 44 bit word and Nx_DEN is a 32 bit word. Clockbuilder Pro left shifts these values as far as possible before writing them to the actual Nx_NUM and Nx_DEN registers. For example, an integer Nx divider of 30/1, when left shifted, becomes $Nx_NUM = 64424509440$ (decimal) and $Nx_DEN = 2147483648$ (decimal). By adjusting the size of the Nx_NUM and Nx_DEN but keeping the ratio the same, the resolution of the LSbit of numerator or denominator can be controlled.

When changing the N divider(s) to fractional values, the setting name $N_PIBYP[4:0]$ must be a 0 for the N divider that is being changed. This applies when using FINC/FDEC or when directly writing to the N divider.

6.1.1 DCO with Frequency Increment/Decrement Pins/Bits

The FSTEPW (Frequency STEP Word) is a 44 bit word that is used to change the value of the Nx_NUM word. Whenever an FINC or FDEC is asserted, the FSTEPW will automatically add or subtract from the Nx_NUM word so that the output frequency will increment (FINC) or decrement (FDEC) respectively.

Each of the N dividers can be independently stepped up or down in numerical predefined steps with a maximum resolution that varies from ~ 0.05 ppb to a ~0.004 ppb depending upon the frequency plan. One or more N dividers can be controlled by FINC/FDEC at the same time by use of the N_FSTEP_MSK bits. Any N divider that is masked by its corresponding bit in the N_FSTEP_MSK field will not change when FINC or FDEC is asserted. The magnitude of the frequency change caused by FINC or FDEC is determined by the value of the FSTEPW word and the magnitude of the word in Nx_NUM . For a specific frequency step size it may be necessary to adjust the Nx_NUM value while keeping the ratio of Nx_NUM/Nx_DEN the same. When the FINC or FDEC pin or register bit is asserted the selected N dividers will have their numerator changed by the addition or subtraction of the Nx_FSTEPW so that an FINC will increase the output frequency and an FDEC will decrease the output frequency. An FINC or FDEC can be followed by another FINC or FDEC in 1 μ s minimum.

Because the output frequency = $F_{VCO} * Nx_DEN / (Rx * Nx_NUM)$, subsequent changes to Nx_NUM by the FSTEPW will not produce exactly the same output frequency change. The amount of error in the frequency step is extremely small and in a vast number of applications will not cause a problem. When consecutive frequency steps must be exactly the same, it is possible to set FINC and FDEC to change the Nx_DEN instead of Nx_NUM and then consecutive FINCs or FDECs will be exactly the same frequency change. However, there are some special setups that are necessary to achieve this. For more information see [Skyworks Support](#).

6.1.2 DCO with Direct Register Writes

When a N divider numerator (Nx_NUM) and its corresponding update bit (Nx_UPDATE) is written, the new numerator value will take effect and the output frequency will change without any glitches. The N divider numerator and denominator terms (Nx_NUM and Nx_DEN) can be left and right shifted so that the least significant bit of the numerator word represents the exact step resolution that is needed for your application. Each N divider has an update bit (Nx_UPDATE) that must be written to cause the written values to take effect. All N dividers can be updated at the same time by writing the N_UPDATE_ALL bit. Note that writing this bit will not cause any output glitching on an N divider that did not have its numerator or denominator changed.

When changing the N divider denominator (Nx_DEN) it is remotely possible that a small phase change of ~550 fs may occur at the exact time of the frequency change. However with the proper setup it is possible to change Nx_DEN and never have a phase change. If your application requires changing an N divider denominator, see [Skyworks Support](#).

6.2 Using the M Divider for DCO Applications

The VCO can be treated as a DCO by changing the value of the M feedback divider. By changing the M divider, all the output frequencies will change by the same amount in ppm. Changing the M divider is only valid for small changes in the output frequencies. See [Skyworks Support](#) for assistance in the implementation of this capability.

7. Dynamic PLL Changes

7.1 Revisions B and A

It is possible for a PLL to become unresponsive (i.e., lose lock indefinitely) when it is dynamically reprogrammed or changed via the serial port. Reprogramming/changing the N divider does not affect the PLL. Any change that causes the VCO frequency to change by more than 250 ppm since Power-up, NVM download, or SOFT_RST requires the following special sequence of writes. Changes to the following registers require the following special sequence of writes:

- XAXB_FREQ_OFFSET
- PXAXB
- MXAXB_NUM
- MXAXB_DEN
- M_NUM
- M_DEN

1. First, the preamble:

Write 0x0B24 = 0xD8

Write 0x0B25 = 0x00

Write 0x0502 = 0x01

Write 0x0505 = 0x03

Write 0x0957 = 0x17

Write 0x0B4E = 0x1A

2. Wait 300 ms.

3. Then, perform the desired register modifications.

4. Write SOFT_RST - 0x001C[0] = 1

5. Write the post-amble:

Write 0x0B24 = 0xDB

Write 0x0B25 = 0x02

7.2 Revision D

The Revision D preamble and postamble values for updating certain registers during device operation have changed after Revision B. Either the new or old values below may be written to Revision D or later devices without issue. No system software changes are necessary for legacy systems. When writing old values, note that reading back these registers will not give the written old values, but will reflect the new values. Skyworks recommends using the new values for all Revision D and later designs, since the write and read values will match.

The device revision can be determined in the setting DEVICE_REV, register 0x0005.

DEVICE_REV = 0x02 or higher: New Values

Revision **D** Preamble: 0x0B24 = 0xC0, 0x0B25 = 0x00

Revision **D** Postamble: 0x0B24 = 0xC3, 0x0B25 = 0x02

Note that revision B and earlier devices must continue to use the original values for these registers:

DEVICE_REV = 0x00 or 0x01: Old Values

Revision **B** Preamble: 0x0B24 = 0xD8, 0x0B25 = 0x00

Revision **B** Postamble: 0x0B24 = 0xDB, 0x0B25 = 0x02

7.3 Dynamic Changes to Output Frequencies without Changing PLL Settings

This section applies to the following scenario:

1. A CBPro generated register map "was" used to program either the volatile or the non-volatile memory of a Si5340/1. Changes to output frequencies without changing the PLL settings are desired.
2. The CBPro project file can be used to look for the VCO frequency (FVCO), Ry, Nx values for each OUTy in the design report and/or the datasheet addendum.

$$\text{OUT}_y = \text{FVCO}/(\text{Nx} * \text{Ry})$$

Solve for Nx based on the desired OUTy. The Nx dividers can be digitally controlled to so that all outputs connected to the Nx divider change frequency in real time without any transition glitches. There are two ways to control the Nx divider to accomplish this task:

1. Use the Frequency Increment/Decrement Pins or register bits.
2. Write directly to the numerator or denominator of the Nx divider.

The details of both methods are covered in [6.1 Using the N Dividers for DCO Applications](#).

7.4 Dynamic Changes to Output Frequencies while Changing PLL Settings Using a CBPro Register Map

This section applies to the following scenario:

1. A CBPro generated register map "is" used to program either the volatile or the non-volatile memory of a Si5340/1.
2. This needs a register write sequence provided in the CBPro export section as shown below.

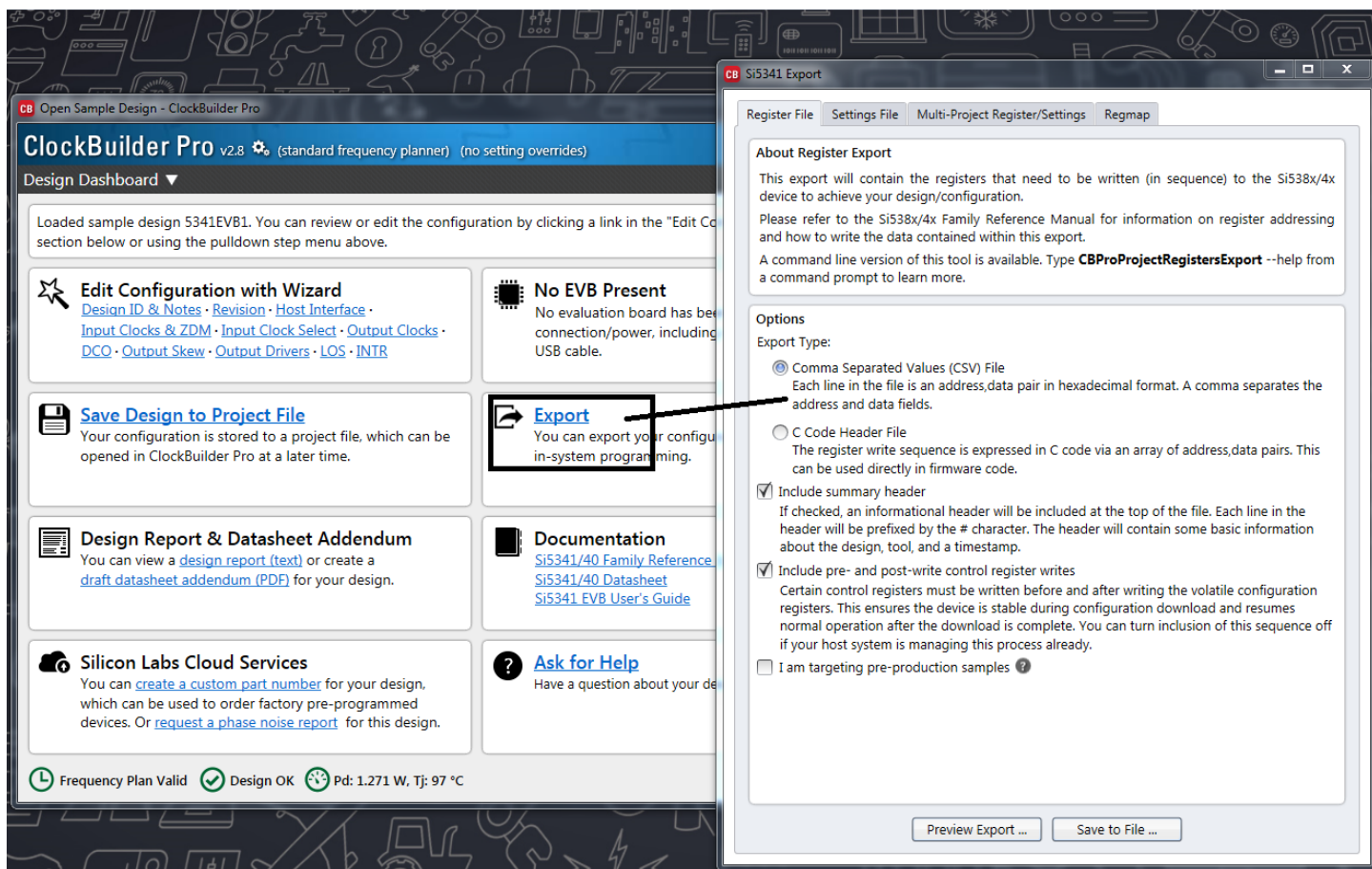


Figure 7.1. CBPro Register Write Sequence While Changing PLL Settings

8. Serial Interface

Configuration and operation of the Si5341/40 is controlled by reading and writing registers using the I²C or SPI interface. Both of these serial interfaces are based upon 8-bit addressing, which means that the page byte must be written every time you need to access a different page in the register map. See the PGE byte at register 0x0001 for more information. The I2C_SEL pin selects I²C or SPI operation. The Si5341/40 supports communication with a 3.3 V or 1.8 V host by setting the IO_VDD_SEL (0x0943[0]) configuration bit. The SPI mode supports 4-wire or 3-wire by setting the SPI_3WIRE configuration bit.

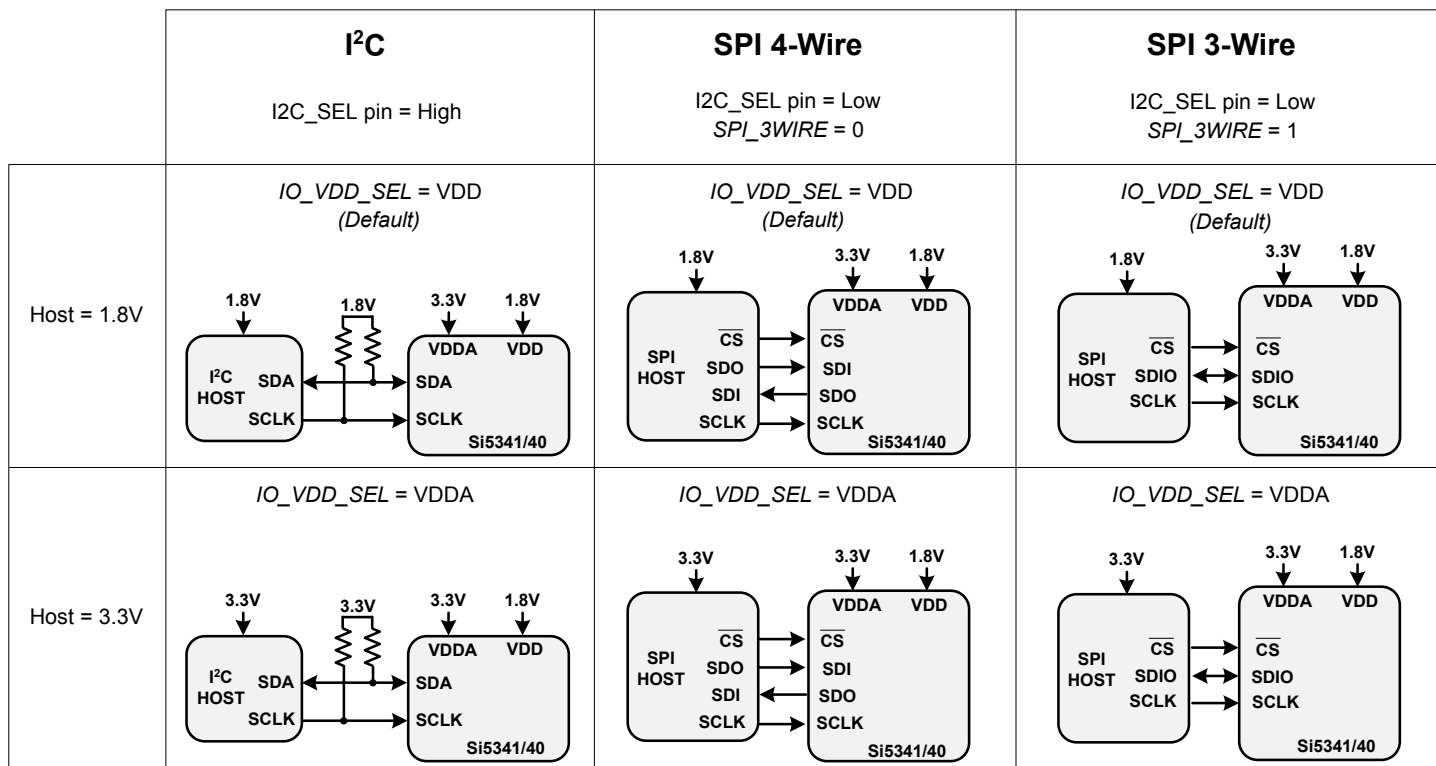


Figure 8.1. I²C/SPI Device Connectivity Configurations

The following table lists register settings of interest for the I²C/SPI.

Table 8.1. I²C/SPI Register Settings

Register Name	Hex Address [Bit Field]		Function
	Si5341	Si5340	
IO_VDD_SEL	0x0943[0]	0x0943[0]	The IO_VDD_SEL configuration bit optimizes the V _{IL} , V _{IH} , V _{OL} , and V _{OH} thresholds to match the VDD _S voltage. By default the IO_VDD_SEL bit is set to the VDD option. The serial interface pins are always 3.3 V tolerant even when the device's VDD pin is supplied from a 1.8 V source. When the I ² C or SPI host is operating at 3.3 V and the Si5340/41 at VDD = 1.8 V, the host must write the IO_VDD_SEL configuration bit to the VDDA option. This will ensure that both the host and the serial interface are operating at the optimum voltage thresholds.
SPI_3WIRE	0x002B[3]	0x002B[3]	The SPI_3WIRE configuration bit selects the option of 4-wire or 3-wire SPI communication. By default the SPI_3WIRE configuration bit is set to the 4-wire option. In this mode the Si5341/40 will accept write commands from a 4-wire or 3-wire SPI host allowing configuration of device registers. For full bidirectional communication in 3-wire mode, the host must write the SPI_3WIRE configuration bit to "1".

If neither serial interface is used, leave pins I2C_SEL, A1/SDO and A0/CS disconnected and tie SDA/SDIO and SCLK low.

8.1 I²C Interface

When in I²C mode, the serial interface operates in slave mode with 7-bit addressing and can operate in Standard-Mode (100 kbps) or Fast-Mode (400 kbps) and supports burst data transfer with auto address increments. The I²C bus consists of a bidirectional serial data line (SDA) and a serial clock input (SCL) as shown in Figure 8.12 SPI “Burst Data Write” Instruction Timing on page 43. Both the SDA and SCL pins must be connected to a supply via an external pull-up (1k to 4.7k ohm) as recommended by the I²C specification as shown in the figure below. Two address select bits (A0, A1) are provided allowing up to four Si5341/40 devices to communicate on the same bus. This also allows four choices in the I²C address for systems that may have other overlapping addresses for other I²C devices.

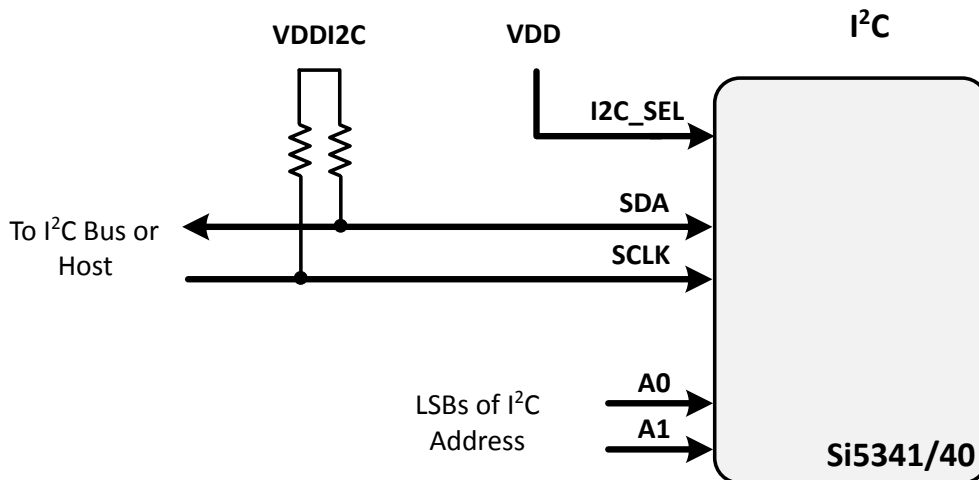


Figure 8.2. I²C Configuration

The 7-bit slave device address of the Si5341/40 consists of a 5-bit fixed address plus two pins that are selectable for the last two bits, as shown in the following figure.

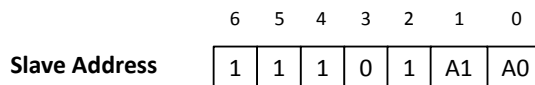
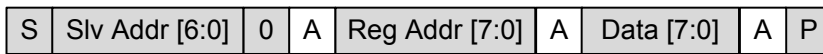


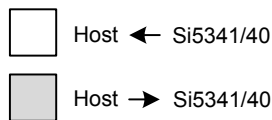
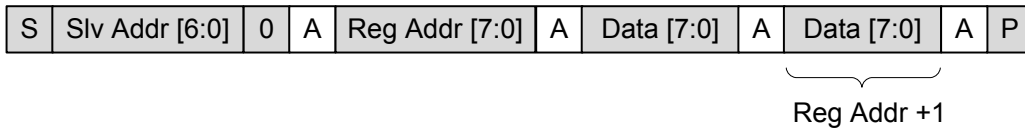
Figure 8.3. 7-bit I²C Slave Address Bit-Configuration

Data is transferred MSB first in 8-bit words as specified by the I²C specification. A write command consists of a 7-bit device (slave) address + a write bit, an 8-bit register address, and 8 bits of data as shown in Figure 8.4 I²C Write Operation on page 39. A write burst operation is also shown where subsequent data words are written using to an auto-incremented address.

Write Operation – Single Byte



Write Operation - Burst (Auto Address Increment)

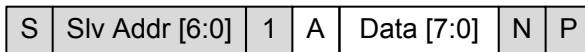
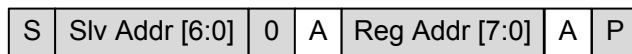


- 1 – Read
- 0 – Write
- A – Acknowledge (SDA LOW)
- N – Not Acknowledge (SDA HIGH)
- S – START condition
- P – STOP condition

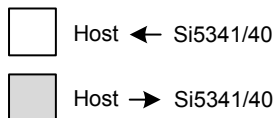
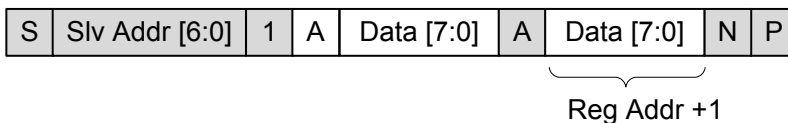
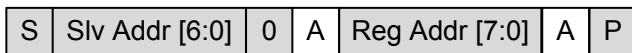
Figure 8.4. I²C Write Operation

A read operation is performed in two stages. A data write is used to set the register address, then a data read is performed to retrieve the data from the set address. A read burst operation is also supported as shown in the following figure.

Read Operation – Single Byte



Read Operation - Burst (Auto Address Increment)



- 1 – Read
- 0 – Write
- A – Acknowledge (SDA LOW)
- N – Not Acknowledge (SDA HIGH)
- S – START condition
- P – STOP condition

Figure 8.5. I²C Read Operation

8.2 SPI Interface

When in SPI mode, the serial interface operates in 4-wire or 3-wire depending on the state of the SPI_3WIRE configuration bit. The 4-wire interface consists of a clock input (SCLK), a chip select input (CS), serial data input (SDI), and serial data output (SDO). The 3-wire interface combines the SDI and SDO signals into a single bidirectional data pin (SDIO). Both 4-wire and 3-wire interface connections are shown in the following figure.

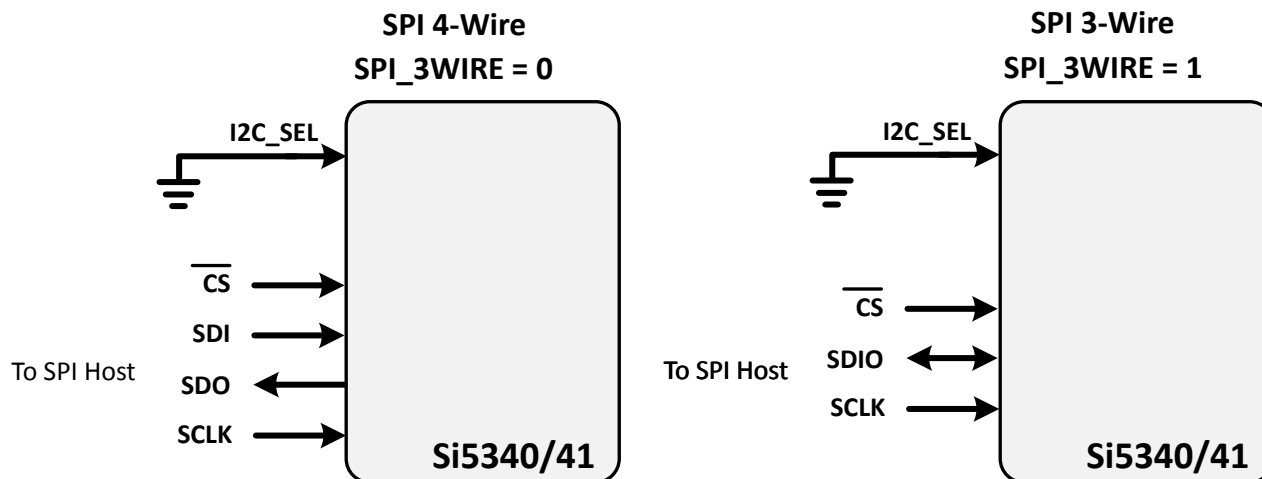


Figure 8.6. SPI Interface Connections

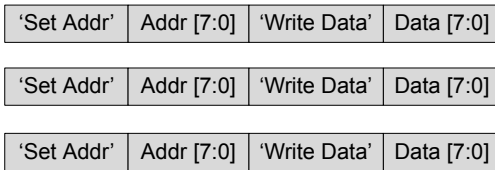
Table 8.2. SPI Command Format

Instruction	1 st Byte ¹	2 nd Byte	3 rd Byte	n th Byte ^{2, 3}
Set Address	000x xxxx	8-bit Address	—	—
Write Data	010x xxxx	8-bit Data	—	—
Read Data	100x xxxx	8-bit Data	—	—
Write Data + Address Increment	011x xxxx	8-bit Data	—	—
Read Data + Address Increment	101x xxxx	8-bit Data	—	—
Burst Write Data	1110 0000	8-bit Address	8-bit Data	8-bit Data

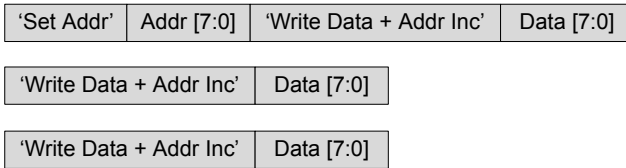
1. X = don't care (1 or 0)
 2. The Burst Write Command is terminated by de-asserting CSb (CSb = high)
 3. There is no limit to the number of data bytes that may follow the Burst Write command, but the address will wrap around to 0 in the byte after address 255 is written.

Writing or reading data consist of sending a “Set Address” command followed by a “Write Data” or “Read Data” command. The ‘Write Data + Address Increment’ or “Read Data + Address Increment” commands are available for cases where multiple byte operations in sequential address locations is necessary. The “Burst Write Data” instruction provides a compact command format for writing data since it uses a single instruction to define starting address and subsequent data bytes. The following figure shows an example of writing three bytes of data using the write commands. This demonstrates that the “Write Burst Data” command is the most efficient method for writing data to sequential address locations.

'Set Address' and 'Write Data'



'Set Address' and 'Write Data + Address Increment'



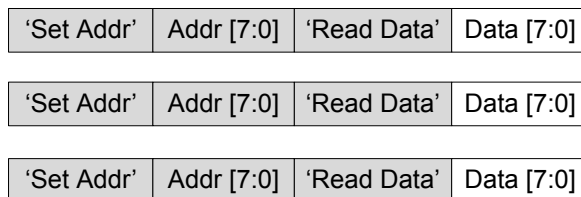
'Burst Write Data'



Figure 8.7. Example Writing Three Data Bytes Using the Write Commands

The following figure provides a similar comparison for reading data with the read commands. Note that there is no burst read, only read increment.

'Set Address' and 'Read Data'



'Set Address' and 'Read Data + Address Increment'

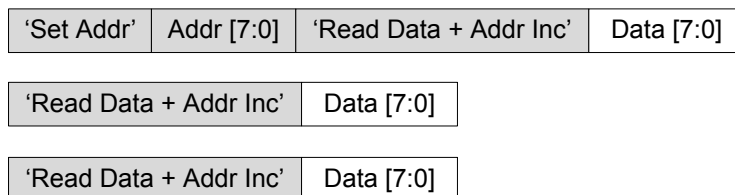


Figure 8.8. Example of Reading Three Data Bytes Using the Read Commands

The timing diagrams for the SPI commands are shown in the following figures.

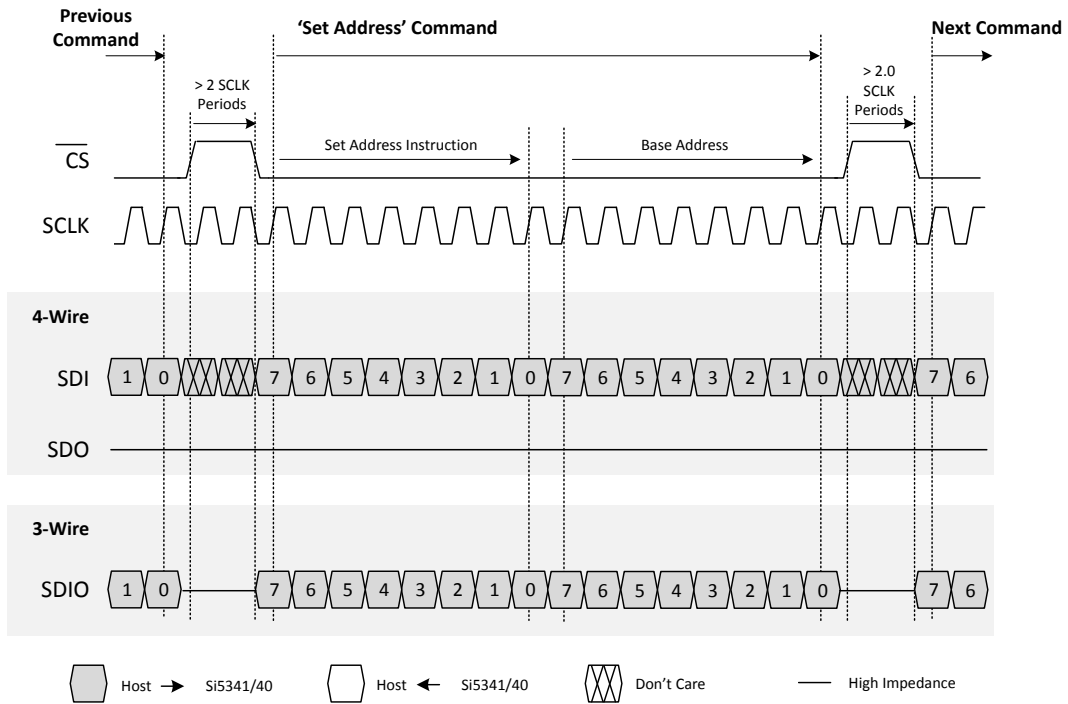


Figure 8.9. SPI “Set Address” Command Timing

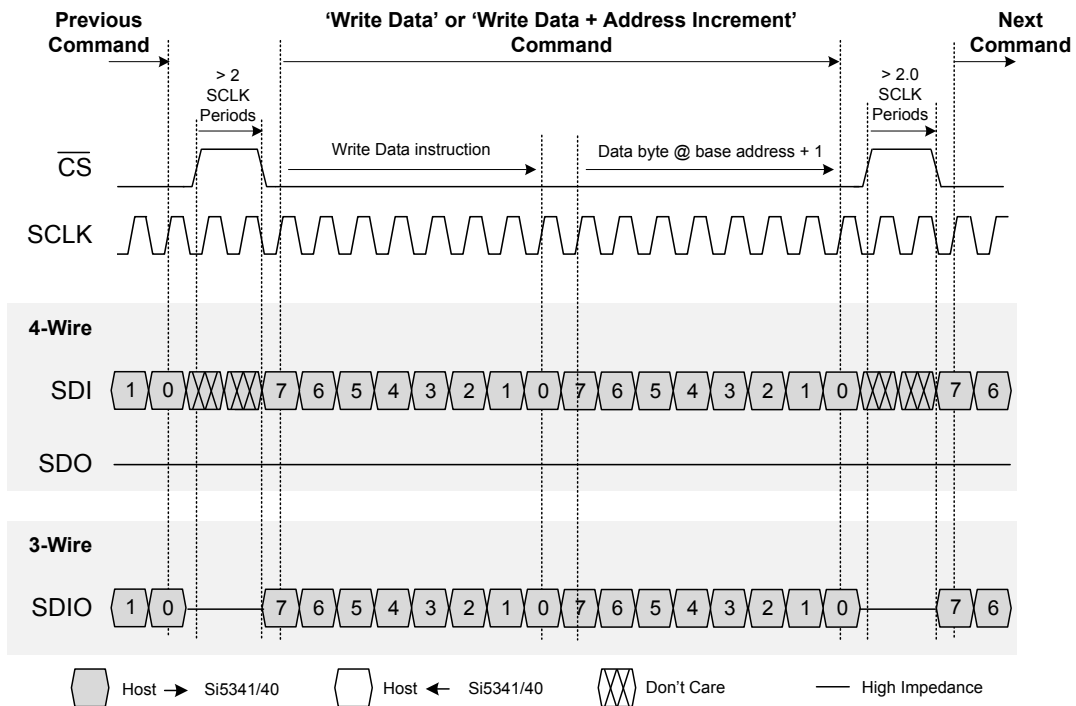


Figure 8.10. SPI “Write Data” and “Write Data+ Address Increment” Instruction Timing

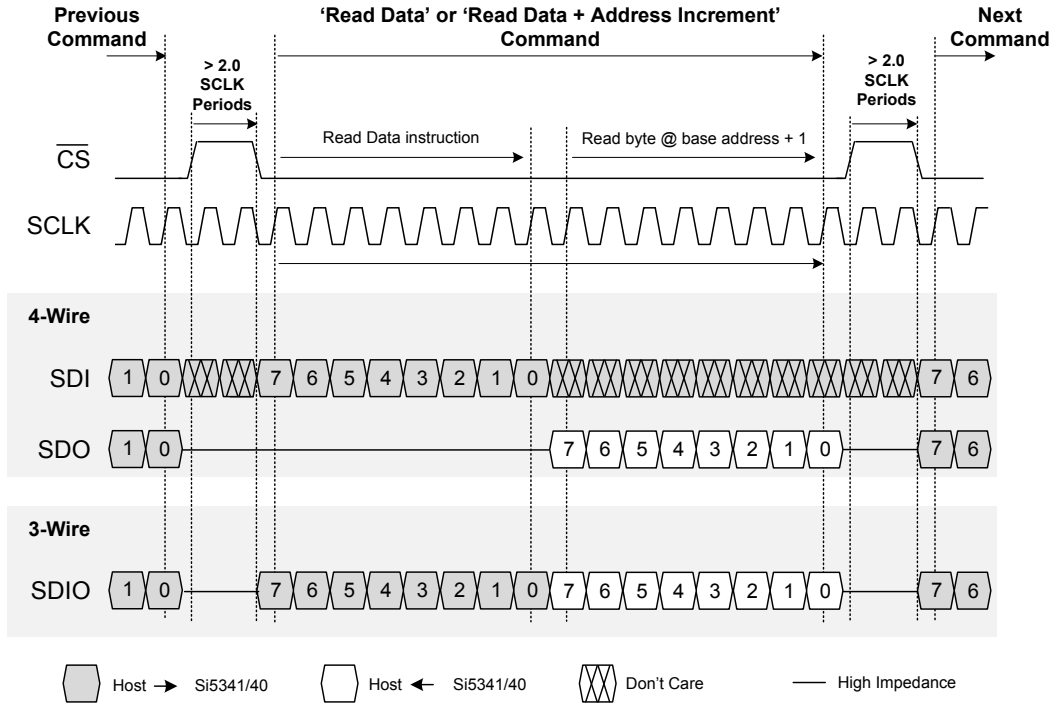
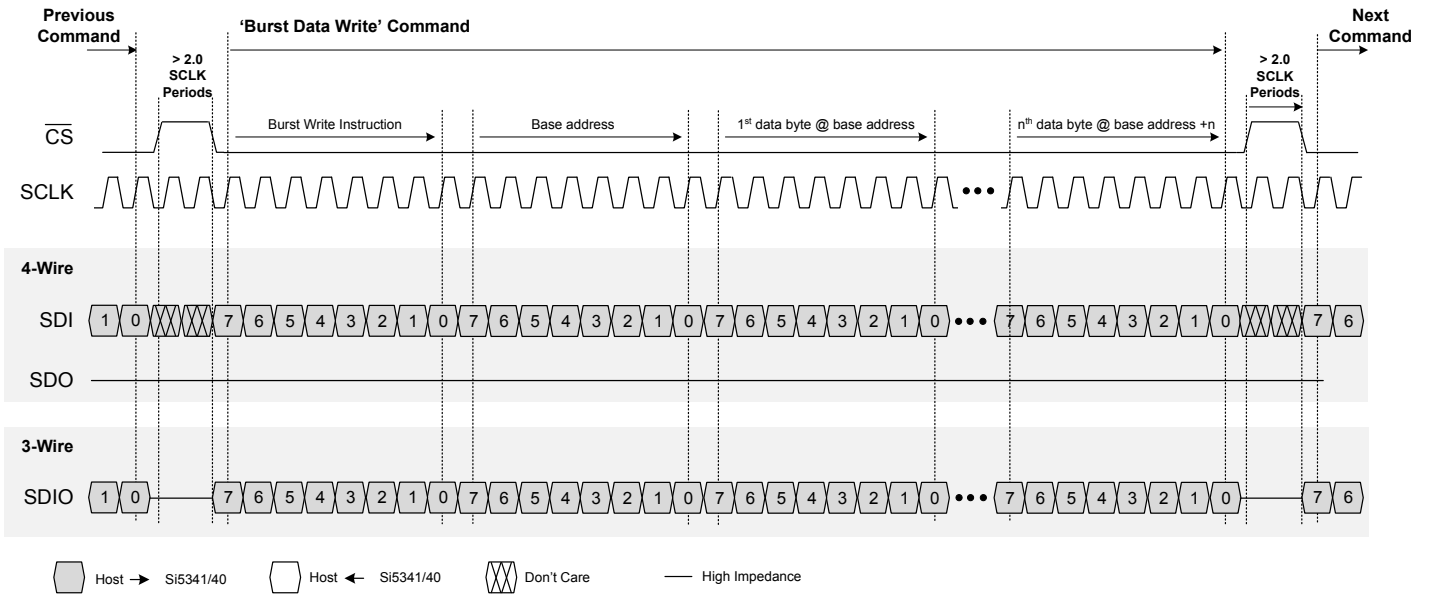


Figure 8.11. SPI “Read Data” and “Read Data + Address Increment” Instruction Timing



Note that for all SPI communication the chip select (CS) must be high for the minimum time period between commands. When chip select goes high it indicates the termination of the command. The SCLK can be turned off between commands, particularly if there are very long delays between commands.

Figure 8.12. SPI “Burst Data Write” Instruction Timing

9. Field Programming

To simplify design and software development of systems using the Si5341/40, a field programmer is available. The ClockBuilder Pro Field Programmer supports both “in-system” programming (for devices already mounted on a PCB) as well as “in-socket” programming of Si5341/40 sample devices. Refer to the <https://www.skyworksinc.com/en/products/timing/evaluation-kits/general/clockbuilder-pro-field-programmer> product web page for information about this kit.

10. Recommended Crystals and External Oscillators

Please refer to the [Si534x/8x Jitter Attenuators Recommended Crystal, TCXO and OCXOs Reference Manual](#) for more information.

11. Crystal and Device Circuit Layout Recommendations

The main layout issues that should be carefully considered include the following:

- Number and size of the ground vias for the Epad (see Section [12.3 Grounding Vias](#) for details)
- Output clock trace routing
- Input clock trace routing
- Control and Status signals to input or output clock trace coupling
- XTAL signal coupling
- XTAL layout

If the application uses a crystal for the XAXB inputs a shield should be placed underneath the crystal connected to the X1 and X2 pins (4 and 7) to provide the best possible performance. The shield should not be connected to the ground plane and the planes underneath should have as little under the shield as possible. It may be difficult to do this for all the layers, but it is important to do this for the layers that are closest to the shield.

Refer to the High Performance Clock Generator Kits on the [Clock Development Tools](#) web page for the Si5341-EVB and Si5340-EVB schematics, layout, and BOM files.

11.1 64-Pin QFN Si5341 Layout Recommendations

This section details the recommended guidelines for the crystal layout of the 64-pin Si5341 device using an example 8-layer PCB. Following are descriptions of each of the eight layers.

- Layer 1: device layer, with low speed CMOS control/status signals, ground flooded
- Layer 2: crystal shield
- Layer 3: ground plane
- Layer 4: power distribution
- Layer 5: power routing layer
- Layer 6: input clocks
- Layer 7: output clocks layer
- Layer 8: ground layer

[Figure 11.1 64-pin Si5341 Crystal Layout Recommendations Top Layer \(Layer 1\) on page 47](#) is the top layer layout of the Si5341 device mounted on the top PCB layer. This particular layout was designed to implement either a crystal or an external oscillator as the XAXB reference. The crystal/ oscillator area is outlined with the white box around it. In this case, the top layer is flooded with ground. Note that this layout has a resistor in series with each pin of the crystal. In typical applications, these resistors should be removed.

11.1.1 Si5341 Applications without a Crystal

If the application does not use a crystal, then the X1 and X2 pins should be left as “no connect” and should not be tied to ground. In addition, there is no need for a crystal shield or the voids underneath the shield. If there is a differential external clock input on XAXB there should be a termination circuit near the XA and XB pins. This termination circuit should be two 50 Ω resistors and one 0.1 μF cap connected in the same manner as on the other clock inputs (IN0, IN1 and IN2). See [Figure 4.1 Crystal Resonator and External Reference Clock Connection Options on page 16](#). The clock input on XAXB must be ac-coupled. Care should be taken to keep all clock inputs well isolated from each other as well as any other dynamic signal. For LVCMOS or clipped sine wave inputs on XAXB, see [Figure 4.1 Crystal Resonator and External Reference Clock Connection Options on page 16](#).

11.1.2 Si5341 Crystal Layout Guidelines

The following are five recommended crystal layout guidelines:

1. Place the crystal as close as possible to the XA/XB pins.
2. Do not connect the crystal's GND pins to PCB gnd.
3. Connect the crystal's GND pins to the DUT's X1 and X2 pins via a local crystal shield placed around and under the crystal. Make sure that X1, X2, and both crystal ground pins do NOT connect to the pcb ground. See [Figure 11.1 64-pin Si5341 Crystal Layout Recommendations Top Layer \(Layer 1\) on page 47](#) for an illustration of how to create a crystal shield by placing vias connecting the top layer traces to the shield layer underneath. Note that a zoom view of the crystal shield layer on the next layer down is shown in [Figure 11.2 Zoom View Crystal Shield Layer, Below the Top Layer \(Layer 2\) on page 48](#).
4. Keep transitioning signal traces as distant as practical from the crystal/oscillator area especially if they are clocks or frequently toggling digital signals.
5. In general, do not route GND, power planes/traces, or locate components on the other side below the crystal shield. If necessary, a ground layer may be placed under the crystal shield plane as long as it is at least 0.05" below the crystal shield layer.

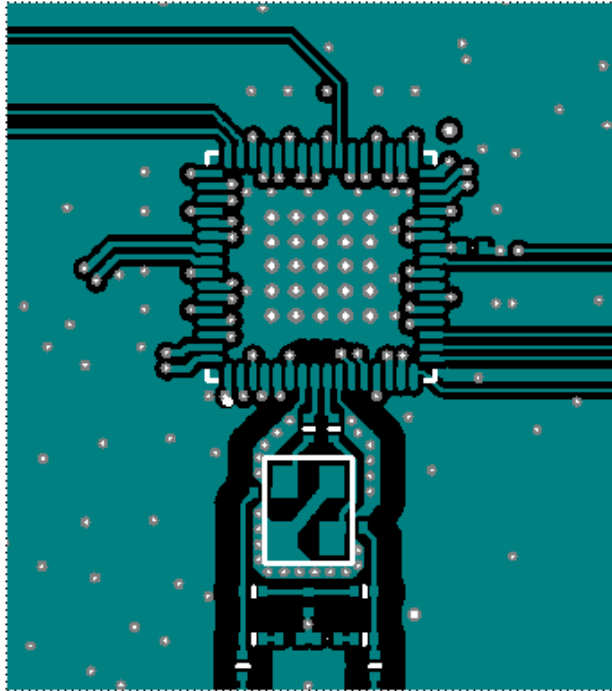


Figure 11.1. 64-pin Si5341 Crystal Layout Recommendations Top Layer (Layer 1)

Note the vias that are shown for the center ground pad so that there is a low-impedance path to ground and a good thermal path to ground. See [12.3 Grounding Vias](#) for details on these vias.

The following figure shows the layer that implements the shield underneath the crystal. The shield extends underneath the entire crystal and the X1 and X2 pins. This layer also has the clock input pins. The clock input pins go to Layer 2 using vias to avoid crosstalk. As soon as the clock inputs are on Layer 2, they have a ground shield above below and on the sides for protection.

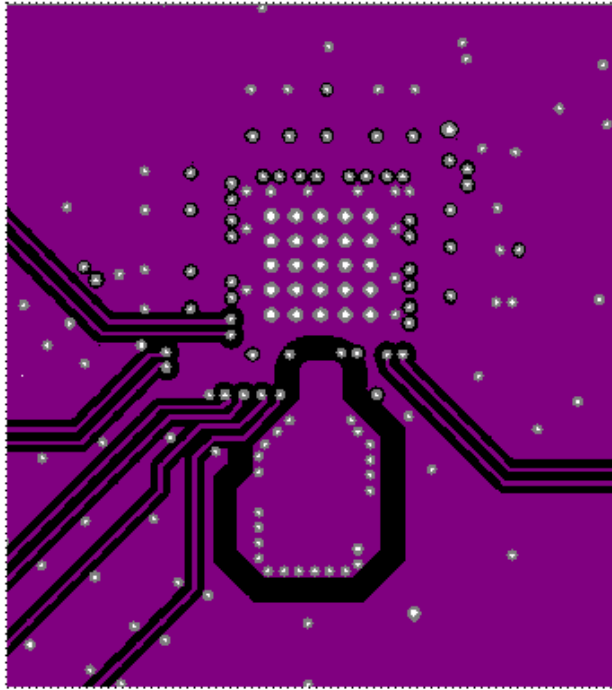


Figure 11.2. Zoom View Crystal Shield Layer, Below the Top Layer (Layer 2)

The following figure of the ground plane shows a void underneath the crystal shield.

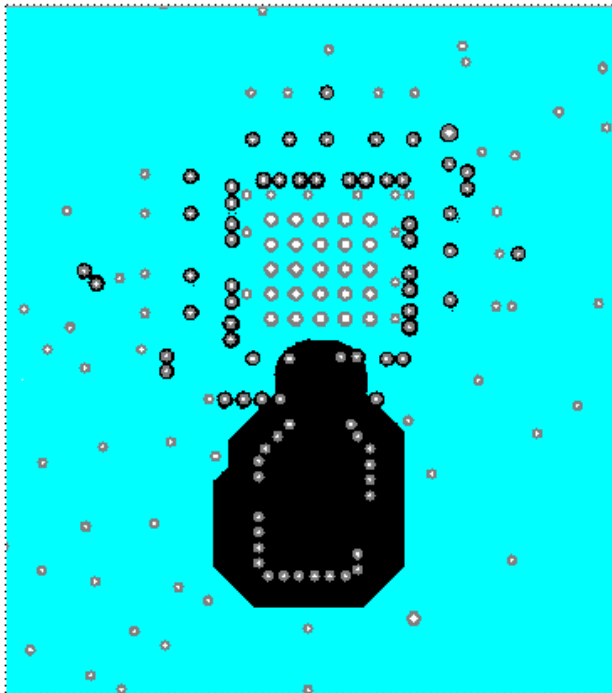


Figure 11.3. Crystal Ground Plane (Layer 3)

The figure below is a power plane and shows the clock output power supply traces. The void underneath the crystal shield is continued.

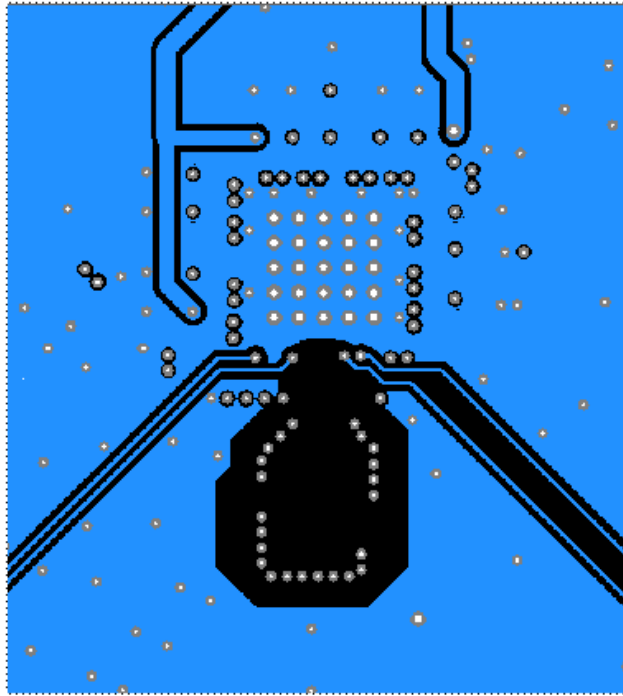


Figure 11.4. Power Plane (Layer 4)

The following figure shows Layer 5, which is the power plane with the power routed to the clock output power pins.

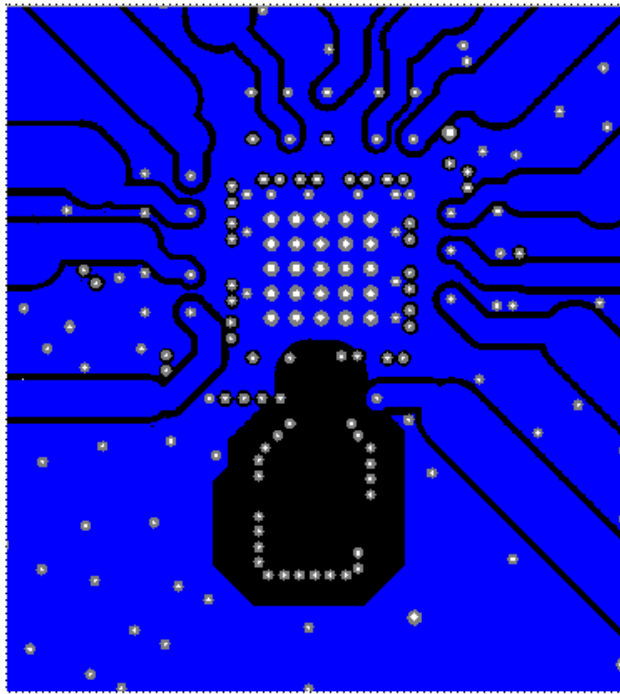


Figure 11.5. Layer 5 Power Routing on Power Plane (Layer 5)

The following figure is another ground plane similar to Layer 3.

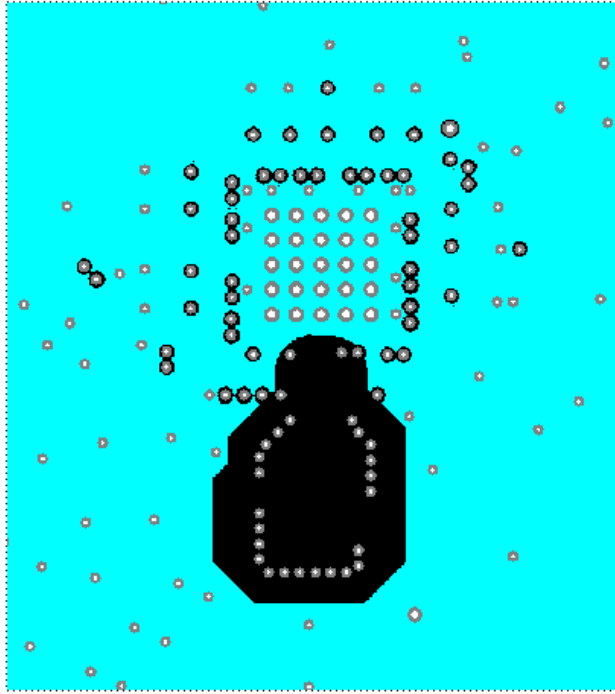


Figure 11.6. Ground Plane (Layer 6)

11.1.3 Output Clocks

Similar to the input clocks, the output clocks have vias that immediately go to a buried layer with a ground plane above them and a ground flooded bottom layer. There is a ground flooding between the clock output pairs to avoid crosstalk. The figure below shows the output clocks.

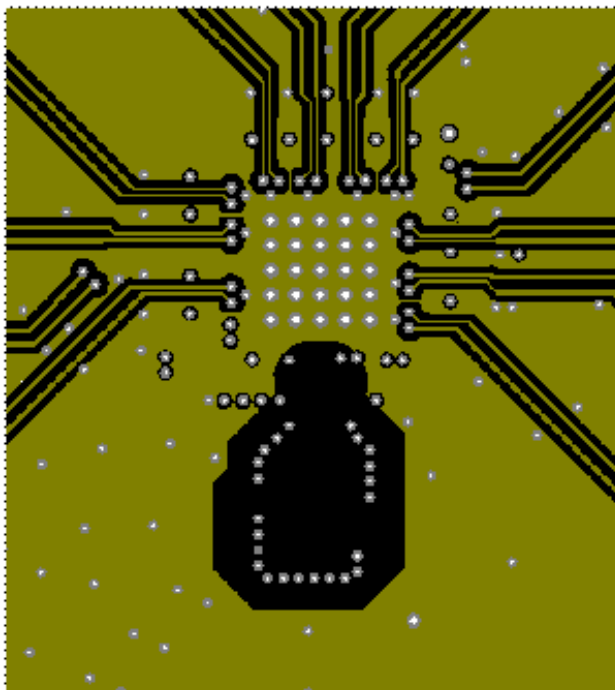


Figure 11.7. Output Clock Layer (Layer 7)

As shown in the figure below, there should be a line of vias through the ground flood on either side of the output clocks to ensure that the ground flood immediately next to the differential pairs has a low inductance path to the ground plane on Layers 3 and 6.

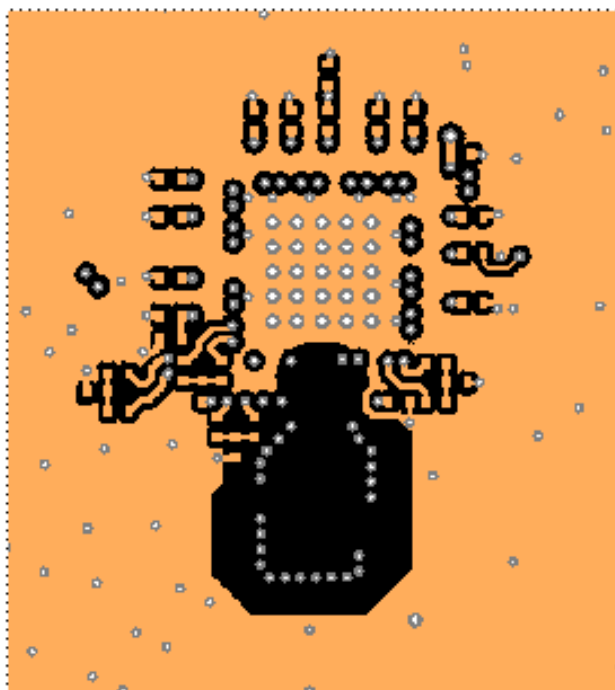


Figure 11.8. Bottom Layer Ground Flooded (Layer 8)

11.2 44-Pin QFN Si5340 Layout Recommendations

This section details the layout recommendations for the 44-pin Si5340 device using an example 6-layer PCB.

The following guidelines detail images of a six-layer board with the following stack:

- Layer 1: device layer, with low speed CMOS control/status signals, ground flooded
- Layer 2: crystal shield, output clocks, ground flooded
- Layer 3: ground plane
- Layer 4: power distribution, ground flooded
- Layer 5: input clocks, ground flooded
- Layer 6: low-speed CMOS control/status signals, ground flooded

This layout was designed to implement either a crystal or an external clock as the XAXB reference. The top layer is flooded with ground. The clock output pins go to Layer 2 using vias to avoid crosstalk during transit. When the clock output signals are on Layer 2 there is a ground shield above, below and on all sides for protection. Output clocks should always be routed on an internal layer with ground reference planes directly above and below. The plane that has the routing for the output clocks should have ground flooded near the clock traces to further isolate the clocks from noise and other signals.

11.2.1 Si5340 Applications without a Crystal as the Reference Clock

If the application does not use a crystal, then the X1 and X2 pins should be left as “no connect” and should not be tied to ground. In addition, there is no need for a crystal shield or the voids underneath the shield. If there is a differential external clock input on XAXB there should be a termination circuit near the XA and XB pins. This termination circuit should be two 50 Ω resistors and one 0.1 μF cap connected in the same manner as on the other clock inputs (IN0, IN1 and IN2). The clock input on XAXB must be ac-coupled. Care should be taken to keep all clock inputs well isolated from each other as well as from any other dynamic signal.

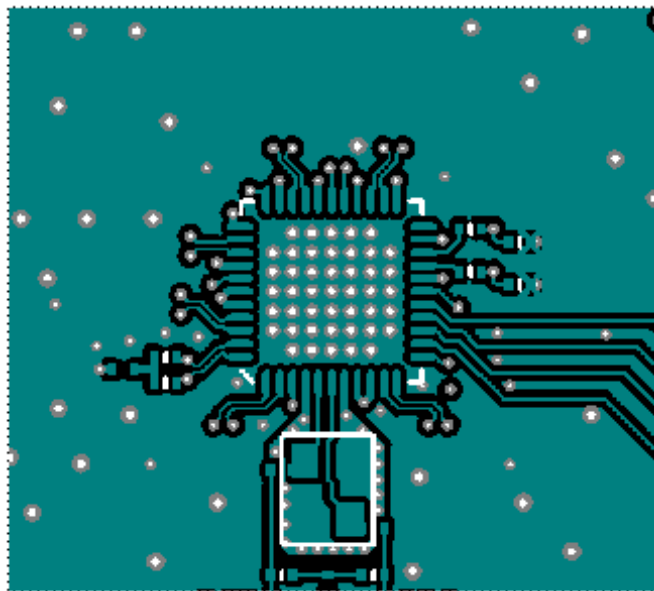


Figure 11.9. Device Layer (Layer 1)

Note the vias to ground from the center ground pad. These are needed to create a low-impedance path to ground and a good thermal path to ground. See [12.3 Grounding Vias](#) for additional information on these vias.

11.2.2 Si5340 Crystal Guidelines

The figure below is the second layer, which implements the shield underneath the crystal. The shield extends underneath the entire crystal and the X1 and X2 pins. There should be no less than 12 vias to connect the X1X2 planes on Layers 1 and 2. These vias are not shown in any other figures. All traces with signals that are not static must be kept well away from the crystal and the X1X2 plane.

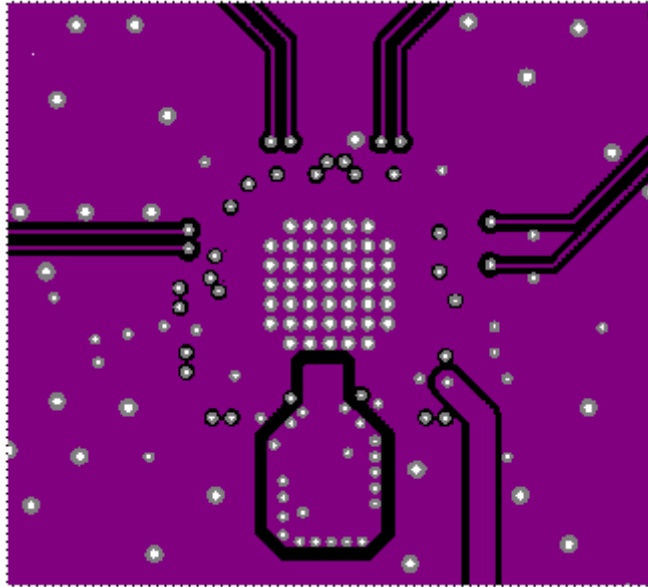


Figure 11.10. Crystal Shield Layer 2

The following figure is the ground plane and shows a void underneath the crystal shield.

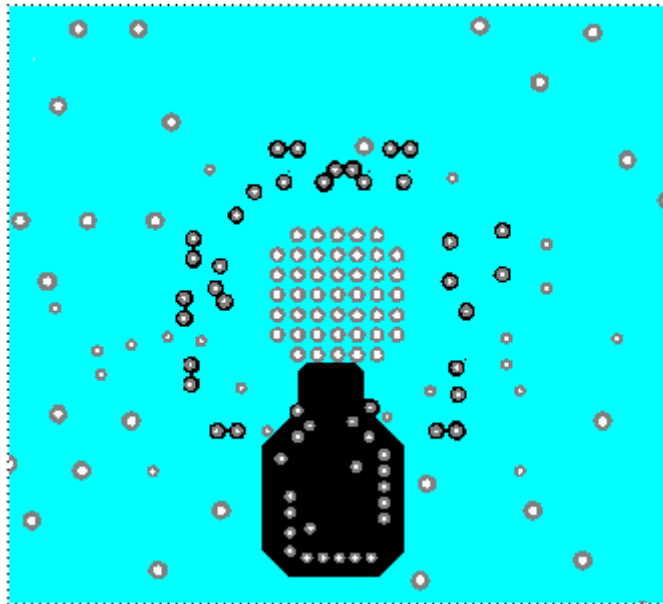


Figure 11.11. Ground Plane (Layer 3)

The following figure is a power plane showing the clock output power supply traces. The void underneath the crystal shield is continued.

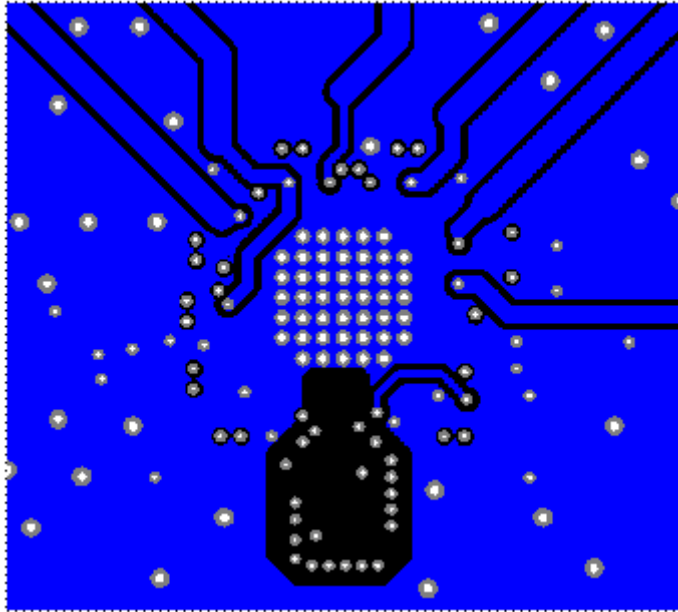


Figure 11.12. Power Plane and Clock Output Power Supply Traces (Layer 4)

The following figure shows layer 5 and the clock input traces. Similar to the clock output traces, they are routed to an inner layer and surrounded by ground to avoid crosstalk.

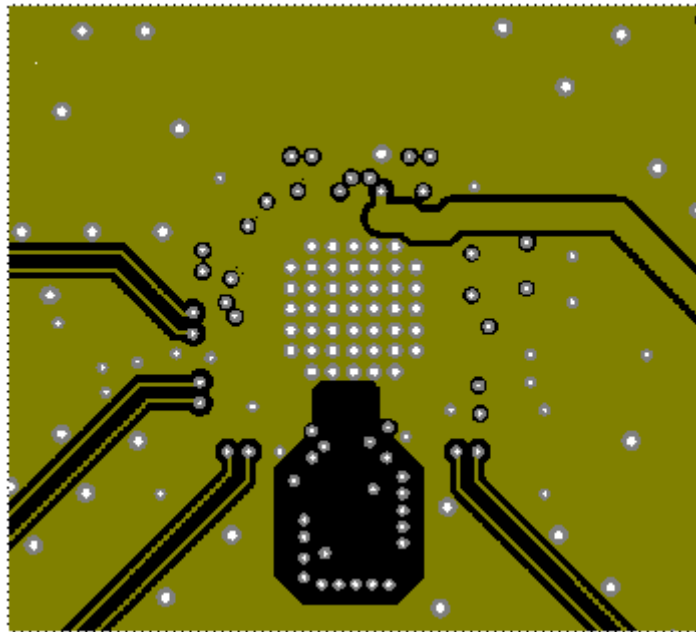


Figure 11.13. Clock Input Traces (Layer 5)

The following figure shows the bottom layer, which continues the void underneath the shield. Layer 6 and layer 1 are mainly used for low speed CMOS control and status signals for which crosstalk is not a significant issue. PCB ground can be placed under the X1X2 shield as long as the PCB ground is at least 0.05 inches below it.

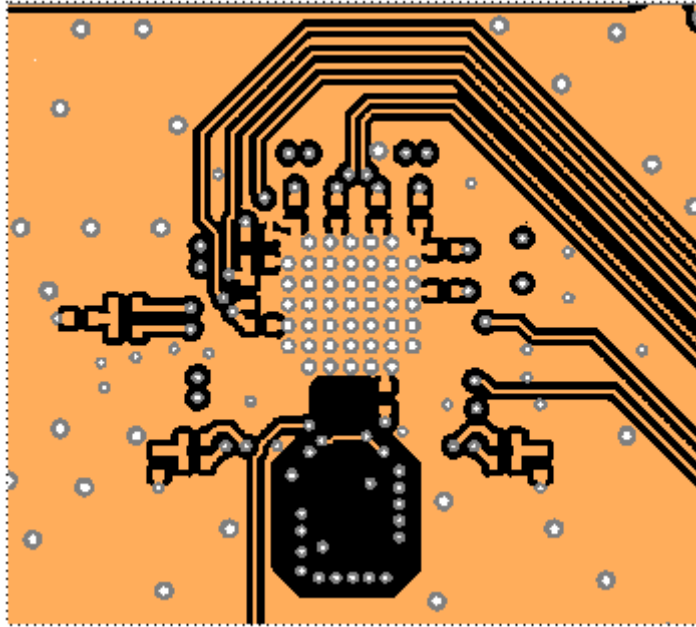


Figure 11.14. Low-Speed CMOS Control and Status Signal Layer 6 (Bottom Layer)

For any high-speed, low-jitter application, the clock signal runs should be impedance-controlled to 100 Ω differential or 50 Ω single-ended. Differential signaling is preferred because of its increased immunity to common-mode noise. All clock I/O runs should be properly terminated.

12. Power Management

12.1 Power Management Features

Several unused functions can be powered down to minimize power consumption. The registers listed in the following table are used for powering down different features.

Table 12.1. Power Management Registers

Register Name	Hex Address [Bit Field]		Function
	Si5341	Si5340	
PDN	0x001E[0]		This bit allows powering down the device. The serial interface remains powered during power down mode.
OUT0_PDN	0x0108[0]	0x0112[0]	Powers down unused clock outputs.
OUT1_PDN	0x010D[0]	0x011C[0]	
OUT2_PDN	0x0112[0]	0x0126[0]	
OUT3_PDN	0x0117[0]	0x012B[0]	
OUT4_PDN	0x011C[0]	—	
OUT5_PDN	0x0121[0]	—	
OUT6_PDN	0x0126[0]	—	
OUT7_PDN	0x012B[0]	—	
OUT8_PDN	0x0130[0]	—	
OUT9_PDN	0x013A[0]	—	
OUT_PDN_ALL	0x0145[0]		Power down all output drivers
XAXB_PDNB	0x090E[1]		0- Power down the oscillator and buffer circuitry at the XA/XB pins 1- No power down

12.2 Power Supply Recommendations

The power supply filtering generally is important for optimal timing performance. The Si5341/0 devices have multiple stages of on-chip regulation to minimize the impact of board level noise on clock jitter.

It is recommended to use a 0402, 1.0 μ F ceramic capacitor on each VDD for optimal performance. Because of the extensive internal voltage regulation this will be sufficient unless the power supply has very high noise. If the power supply might have very high noise, then it is suggested to include an optional, single 0603 (resistor/ferrite) bead in series with each supply to enable additional filtering. This resistor/ferrite should initially be a 0 Ω resistor. If additional supply filtering is needed then a ferrite component can replace the 0 Ω resistor.

12.3 Grounding Vias

The pad on the bottom of the device functions as both the sole electrical ground and primary heat transfer path. Hence it is important to minimize the inductance and maximize the heat transfer from this pad to the internal ground plane of the pcb. Use no less than 25 vias from the center pad to a ground plane under the device. In general more vias will perform better. Having the ground plane near the top layer will also help to minimize the via inductance from the device to ground and maximize the heat transfer away from the device.

12.4 Power Supply Sequencing

Four classes of supply voltages exist:

1. VDD = 1.8 V (Core digital supply)
2. VDDA = 3.3 V (Analog supply)
3. VDDOx = 1.8/2.5/3.3 V \pm 5% (Clock output supply)
4. VDDS = 1.8/3.3V \pm 5% (Digital I/O supply)

A 1.0 μ F cap is recommended for voltage bypass.

There is no requirement for power supply sequencing unless the output clocks are required to be phase aligned with each other. In this case, the VDDO of each clock which needs to be aligned must be powered up before VDD and VDDA. VDDS has no effect on output clock alignment.

If output-to-output alignment is required for applications where it is not possible to properly sequence the power supplies, then the output clocks can be aligned by asserting the SOFT_RST 0x001C[0] or Hard Reset 0x001E[1] register bits or driving the RSTB pin. Note that using a hard reset will reload the register with the contents of the NVM and any unsaved changes will be lost.

One may observe that when powering up the VDD = 1.8 V rail first, that the VDDA = 3.3 V rail will initially follow the 1.8 V rail. Likewise, if the VDDA rail is powered down first then it will not drop far below VDD until VDD itself is powered down. This is due to the pad I/O circuits which have large MOSFET switches to select the local supply from either the VDD or VDDA rails. These devices are relatively large and yield a parasitic diode between VDD and VDDA. Please allow for both VDD and VDDA to power-up and power-down before measuring their respective voltages.

The internal POR (power on reset) will not happen until both VDD and VDDA have been applied.

13. Base vs. Factory Preprogrammed Devices

The Si5341/40 devices can be ordered as “base” or “factory-preprogrammed” (also known as “custom OPN”) versions.

13.1 “Base” Devices (Also Known as “Blank” Devices)

- Example “base” orderable part numbers (OPNs) are of the form “Si5341A-A-GM” or “Si5340B-A-GM”.
- Base devices are available for applications where volatile reads and writes are used to program and configure the device for a particular application.
- Base devices do not power up in a usable state (all output clocks are disabled).
- Base devices are, however, configured by default to use a 48 MHz crystal on the XAXB reference and a 1.8V compatible I/O voltage setting for the host I²C/SPI interface.
- Additional programming of a base device is mandatory to achieve a usable configuration.
- See the [on-line lookup utility](#) to access the default configuration plan and register settings for any base OPN.

13.2 Factory Preprogrammed (Custom OPN) Devices

- Factory preprogrammed devices use a “custom OPN”, such as Si5341A-A-xxxxx-GM, where xxxxx is a sequence of characters assigned by Skyworks for each customer-specific configuration. These characters are referred to as the “OPN ID”. Customers must initiate custom OPN creation using the ClockBuilder Pro software.
- Many customers prefer to order devices which are factory preprogrammed for a particular application that includes specifying the XAXB reference frequency/type, the clock input frequencies, the clock output frequencies, as well as the other options, such as automatic clock selection, loop BW, etc. The ClockBuilder software is required to select among all of these options and to produce a project file which Skyworks uses to preprogram all devices with custom orderable part number (“custom OPN”).
- Custom OPN devices contain all of the initialization information in their non-volatile memory (NVM) so that it powers up fully configured and ready to go.
- Because preprogrammed device applications are inherently quite different from one another, the default power up values of the register settings can be determined using the [custom OPN utility](#).
- Custom OPN devices include a device top mark which includes the unique OPN ID. Refer to the device datasheet’s Ordering Guide and Top Mark sections for more details.

Both “base” and “factory preprogrammed” devices can have their operating configurations changed at any time using volatile reads and writes to the registers. Both types of devices can also have their current register configuration written to the NVM by executing an NVM bank burn sequence (see [3.2 NVM Programming](#)).

14. Register Map

14.1 Register Map Overview and Default Settings Values

The Si5341/40 family has a large register map and is divided into separate pages. Each page contains a total of 256 registers, although all 256 registers are not used. Register 1 on each page is reserved to indicate the page and register 255 is reserved for the device ready status. The following is a summary of the content that can be found on each of the pages. Note any page that is not listed is not used for the device. Do not attempt to write to registers that have not been described in this document, even if they are accessible. Note that the default value will depend on the values loaded into NVM, which is determined by the part number.

Where not provided in the register map information below, you can get the default values of the register map settings, by accessing the [part number lookup utility](#). Register map settings values are listed in the datasheet addendum, which can be accessed by using the link above. The register maps are broken out for the Si5341 and Si5340 separately.

14.2 Si5341 Register Map

Because preprogrammed devices are inherently quite different from one another, the default power up values of the registers can be determined using the [custom OPN utility](#).

Table 14.1. Register Map Paging Descriptions

Page	Start Address (Hex)	Start Address (Decimal)	Contents
Page 0	0000h	0	Alarms, interrupts, reset, device ID, revision ID
Page 1	0100h	256	Clock output configuration
Page 2	0200h	512	P,R dividers, scratch area
Page 3	0300h	768	Output N dividers, N divider FINC/FDEC
Page 9	0900h	2304	Control IO configuration

R = Read Only

R/W = Read Write

S = Self Clearing

Registers that are sticky are cleared by writing “0” to the bits that have been set in hardware. A self-clearing bit will clear on its own when the state has changed.

Some registers that are listed in the Data Sheet Addendum are not documented in the Register Map below because they are set and maintained by Clock Builder Pro. In almost all circumstances, these registers should not be modified by the user. For more details, please contact Skyworks.

14.2.1 Page 0 Registers Si5341

Table 14.2. 0x0000 Die Rev

Reg Address	Bit Field	Type	Setting Name	Description
0x0000	3:0	R	DIE_REV	4- bit Die Revision Number 0 = Silicon Revision A0 1 = Silicon Revision A1

Table 14.3. 0x0001 Page

Reg Address	Bit Field	Type	Setting Name	Description
0x0001	7:0	R/W	PAGE	Selects one of 256 possible pages.

There is the “Page Register” which is located at address 0x01 on every page. When read, it will indicate the current page. When written, it will change the page to the value entered. There is a page register at address 0x0001, 0x0101, 0x0201, 0x0301, ... etc.

Table 14.4. 0x0002–0x0003 Base Part Number

Reg Address	Bit Field	Type	Setting Name	Description
0x0002	7:0	R	PN_BASE	Four-digit “base” part number, one nibble per digit Example: Si5341A-A-GM. The base part number (OPN) is 5341, which is stored in this register
0x0003	15:8	R	PN_BASE	

Table 14.5. 0x0004 Device Speed/Synthesis Mode Grade

Reg Address	Bit Field	Type	Setting Name	Description
0x0004	7:0	R	GRADE	One ASCII character indicating the device speed grade: 0 = A 1 = B 2 = C 3 = D

Table 14.6. 0x0005 Device Revision

Reg Address	Bit Field	Type	Setting Name	Description
0x0005	7:0	R	DEVICE_REV	One ASCII character indicating the device revision level: 0 = A; 1 = B Example: in Si5341C-A12345-GM, the device revision is “A” and is stored as 0.

Table 14.7. 0x0009 Temperature Grade

Reg Address	Bit Field	Type	Setting Name	Description
0x0009	7:0	R	TEMP_GRADE	Device temperature grading 0 = Industrial (–40 ° C to 85 ° C) ambient conditions

Table 14.8. 0x000A Package ID

Reg Address	Bit Field	Type	Setting Name	Description
0x000A	7:0	R	PKG_ID	Package ID 0 = 9x9 mm 64 QFN 1 = 7x7 mm 44 QFN

Part numbers are of the form:

Si<Part Num Base><Grade>-<Device Revision><OPN ID>-<Temp Grade><Package ID>

Examples:

Si5341C-A12345-GM

Applies to a “custom” OPN (Ordering Part Number) device. These devices are factory pre-programmed with the frequency plan and all other operating characteristics defined by the user’s ClockBuilder Pro project file.

Si5341C-A-GM

Applies to a “base” or “blank” OPN device. Base devices are factory pre-programmed to a specific base part type (e.g., Si5341 but exclude any user-defined frequency plan or other user-defined operating characteristics selected in ClockBuilder Pro.

Table 14.9. 0x000B I²C Address

Reg Address	Bit Field	Type	Setting Name	Description
0x000B	6:2	R/W	I2C_ADDR	The upper 5 bits of the 7-bit I ² C address. The lower 2 bits are controlled by the A1 and A0 pins.

Table 14.10. 0x000C Status Bits

Reg Address	Bit Field	Type	Setting Name	Description
0x000C	0	R	SYSINCAL	1 if the device is calibrating.
0x000C	1	R	LOSXAXB	1 if there is no signal at the XA pin as the LOS detector is only connected to the XA pin.
0x000C	2	R	LOSREF	1 if the Phase Frequency detector does not have a signal from XAXB, IN2, IN1, or IN0.
0x000C	3	R	LOL	1 if the DSPLL is out of lock.
0x000C	5	R	SMBUS_TIMEOUT	1 if there is an SMBus timeout error.

Table 14.11. 0x000D INx Loss of Signal (LOS) Alarms

Reg Address	Bit Field	Type	Setting Name	Description
0x000D	3:0	R	LOSIN	1 if no clock is present at [FB_IN, IN2, IN1, IN0]

Note that each bit corresponds to the input. The LOS bits are not sticky.

- Input 0 (IN0) corresponds to LOS at 0x000D [0]
- Input 1 (IN1) corresponds to LOS at 0x000D [1]
- Input 2 (IN2) corresponds to LOS at 0x000D [2]
- FB_IN corresponds to LOS at 0x000D[3]
- See also LOSXAXB for LOS at the XAXB input

Table 14.12. 0x0011 Sticky Versions of Status Bits

Reg Address	Bit Field	Type	Setting Name	Description
0x0011	0	R/W	SYSINCAL_FLG	Sticky version of SYSINCAL. Write a 0 to clear the flag.
0x0011	1	R/W	LOSXAXB_FLG	Sticky version of LOSXAXB. Write a 0 to clear the flag.
0x0011	2	R/W	LOSREF_FLG	Sticky version of LOSREF. Write a 0 to clear the flag.
0x0011	3	R/W	LOL_FLG	Sticky version of LOL. Write a 0 to clear the flag.
0x0011	5	R/W	SMBUS_TIMEOUT_FLG	Sticky version of SMBUS_TIMEOUT. Write a 0 to clear the flag.

Table 14.13. 0x0012 INx LOS Flags

Reg Address	Bit Field	Type	Setting Name	Description
0x0012	3:0	R/W	LOSIN_FLG	Sticky version of LOS. Write a 0 to clear each individual flag.

Table 14.14. 0x0017 Status Flag Interrupt Masks

Reg Address	Bit Field	Type	Setting Name	Description
0x0017	0	R/W	SYSINCAL_INTR_MSK	1 to mask SYSINCAL_FLG from causing an interrupt
0x0017	1	R/W	LOSXAXB_INTR_MSK	1 to mask the LOSXAXB_FLG from causing an interrupt
0x0017	2	R/W	LOSREF_INTR_MSK	1 to mask LOSREF_FLG from causing an interrupt
0x0017	3	R/W	LOL_INTR_MSK	1 to mask LOL_FLG from causing an interrupt
0x0017	5	R/W	SMB_TMOUT_INTR_MSK	1 to mask SMBUS_TIMEOUT_FLG from causing an interrupt

These are the interrupt mask bits for the fault flags in Register 0x0011. If a mask bit is set, the alarm will be blocked from causing an interrupt.

Table 14.15. 0x0018 Interrupt Masks

Reg Address	Bit Field	Type	Setting Name	Description
0x0018	3:0	R/W	LOSIN_INTR_MSK	1 to mask the interrupt from LOS_FLG[3:0]

- Input 0 (IN0) corresponds to LOSIN_INTR_MSK 0x0018 [0]
- Input 1 (IN1) corresponds to LOSIN_INTR_MSK 0x0018 [1]
- Input 2 (IN2) corresponds to LOSIN_INTR_MSK 0x0018 [2]
- FB_IN corresponds to LOSIN_INTR_MSK 0x0018[3]

Table 14.16. 0x001C Soft Reset

Reg Address	Bit Field	Type	Setting Name	Description
0x001C	0	S	SOFT_RST	1 Performs a soft rest. Resets the device while not re-downloading the register configuration from NVM. If output-output skew is needed and VDDOx does not come up before VDD/VDDA then a soft reset will align the output clocks. 0 No effect

This bits are of type “S”, which is self-clearing.

Table 14.17. 0x001D FINC, FDEC

Reg Address	Bit Field	Type	Setting Name	Description
0x001D	0	S	FINC	1 A rising edge will cause a frequency increment. See also N_FSTEP_MSK and Nx_FSTEPW 0 No effect
0x001D	1	S	FDEC	1 A rising edge will cause a frequency decrement. See also N_FSTEP_MSK and Nx_FSTEPW 0 No effect

Table 14.18. 0x001E Sync, Power Down and Hard Reset

Reg Address	Bit Field	Type	Setting Name	Description
0x001E	0	R/W	PDN	1 to put the device into low power mode
0x001E	1	R/W	HARD_RST	1 causes hard reset. The same as power up except that the serial port access is not held at reset. NVM is re-downloaded. This does not self-clear, so after setting the bit it must be cleared. 0 No reset
0x001E	2	S	SYNC	1 to reset all output R dividers to the same state

Table 14.19. 0x0021 Input Clock Selection

Reg Address	Bit Field	Type	Setting Name	Description
0x0021	0	R/W	IN_SEL_REGCTRL	Selects between register controlled reference clock selection and pin controlled clock selection using IN_SEL1 and IN_SEL0 pins: 0 for pin controlled clock selection; 1 for register clock selection via IN_SEL bits.
0x0021	2:1	R/W	IN_SEL	Selects the reference clock input to the PLL when IN_SEL_REGCTRL=1. 0 IN0 1 IN1 2 IN2 3 XA/XB

Table 14.20. 0x002B SPI 3 vs. 4 Wire

Reg Address	Bit Field	Type	Setting Name	Description
0x002B	3	R/W	SPI_3WIRE	0 for 4-wire SPI, 1 for 3-wire SPI

Table 14.21. 0x002C LOS Enable

Reg Address	Bit Field	Type	Setting Name	Description
0x002C	3:0	R/W	LOS_EN	1 to enable LOS for the inputs other than XAXB; 0 for disable
0x002C	4	R/W	LOSXAXB_DIS	1 to disable LOS for the XAXB input 0 to enable LOS for the XAXB input

- Input 0 (IN0): LOS_EN[0]
- Input 1 (IN1): LOS_EN[1]
- Input 2 (IN2): LOS_EN[2]
- FB_IN: LOS_EN[3]

Table 14.22. 0x002D Loss of Signal Requalification Time

Reg Address	Bit Field	Type	Setting Name	Description
0x002D	1:0	R/W	LOS0_VAL_TIME	Clock Input 0 0 for 2 msec 1 for 100 msec 2 for 200 msec 3 for one second
0x002D	3:2	R/W	LOS1_VAL_TIME	Clock Input 1, same as above
0x002D	5:4	R/W	LOS2_VAL_TIME	Clock Input 2, same as above
0x002D	7:6	R/W	LOS3_VAL_TIME	Clock Input 3, same as above

When an input clock is gone (and therefore has an active LOS alarm), if the clock returns, there is a period of time that the clock must be within the acceptable range before the alarm is removed. This is the LOS_VAL_TIME.

Table 14.23. 0x002E–0x002F LOS0 Trigger Threshold

Reg Address	Bit Field	Type	Setting Name	Description
0x002E	7:0	R/W	LOS0_TRG_THR	16-bit Threshold Value
0x002F	15:8	R/W	LOS0_TRG_THR	

ClockBuilder Pro calculates the correct LOS register threshold trigger value for Input 0, given a particular frequency plan.

Table 14.24. 0x0030–0x0031 LOS1 Trigger Threshold

Reg Address	Bit Field	Type	Setting Name	Description
0x0030	7:0	R/W	LOS1_TRG_THR	16-bit Threshold Value
0x0031	15:8	R/W	LOS1_TRG_THR	

ClockBuilder Pro calculates the correct LOS register threshold trigger value for Input 1, given a particular frequency plan.

Table 14.25. 0x0032–0x0033 LOS2 Trigger Threshold

Reg Address	Bit Field	Type	Setting Name	Description
0x0032	7:0	R/W	LOS2_TRG_THR	16-bit Threshold Value
0x0033	15:8	R/W	LOS2_TRG_THR	

ClockBuilder Pro calculates the correct LOS register threshold trigger value for Input 2, given a particular frequency plan.

Table 14.26. 0x0034–0x0035 LOS3 Trigger Threshold

Reg Address	Bit Field	Type	Setting Name	Description
0x0034	7:0	R/W	LOS3_TRG_THR	16-bit Threshold Value
0x0035	15:8	R/W	LOS3_TRG_THR	

ClockBuilder Pro calculates the correct LOS register threshold trigger value for Input 3, given a particular frequency plan.

Table 14.27. 0x0036–0x0037 LOS0 Clear Threshold

Reg Address	Bit Field	Type	Setting Name	Description
0x0036	7:0	R/W	LOS0_CLR_THR	16-bit Threshold Value
0x0037	15:8	R/W	LOS0_CLR_THR	

ClockBuilder Pro calculates the correct LOS register clear threshold value for Input 0, given a particular frequency plan.

Table 14.28. 0x0038–0x0039 LOS1 Clear Threshold

Reg Address	Bit Field	Type	Setting Name	Description
0x0038	7:0	R/W	LOS1_CLR_THR	16-bit Threshold Value
0x0039	15:8	R/W	LOS1_CLR_THR	

ClockBuilder Pro calculates the correct LOS register clear threshold value for Input 1, given a particular frequency plan.

Table 14.29. 0x003A–0x003B LOS2 Clear Threshold

Reg Address	Bit Field	Type	Setting Name	Description
0x003A	7:0	R/W	LOS2_CLR_THR	16-bit Threshold Value
0x003B	15:8	R/W	LOS2_CLR_THR	

ClockBuilder Pro calculates the correct LOS register clear threshold value for Input 2, given a particular frequency plan.

Table 14.30. 0x003C–0x003D LOS3 Clear Threshold

Reg Address	Bit Field	Type	Setting Name	Description
0x003C	7:0	R/W	LOS3_CLR_THR	16-bit Threshold Value
0x003D	15:8	R/W	LOS3_CLR_THR	

ClockBuilder Pro calculates the correct LOS register clear threshold value for Input 3, given a particular frequency plan.

Table 14.31. 0x0041–0x0044 LOS Pre-Divider for IN0, IN1, IN3, FB_IN

Reg Address	Bit Field	Type	Setting Name	Description
0x0041	7:0	R/W	LOS0_DIV_SEL	A pre-divider that is configured by ClockBuilder Pro
0x0042	7:0	R/W	LOS1_DIV_SEL	A pre-divider that is configured by ClockBuilder Pro
0x0043	7:0	R/W	LOS2_DIV_SEL	A pre-divider that is configured by ClockBuilder Pro
0x0044	7:0	R/W	LOS3_DIV_SEL	A pre-divider that is configured by ClockBuilder Pro

The following are the pre-divider values for the above-listed registers values.

Register Value (Decimal)	Divider Value
0	1 (bypass)
1	2
2	4
3	8
4	16
5	32
6	64
7	128
8	256
9	512
10	1024
11	2048
12	4096
13	8192
14	16384
15	32768
16	65536

Table 14.32. 0x009E

Reg Address	Bit Field	Type	Setting Name	Description
0x009E	7:4	R/W	LOL_SET_THR	Configures the loss of lock set thresholds

Table 14.33. 0x00E2 Active NVM Bank

Reg Address	Bit Field	Type	Setting Name	Description
0x00E2	7:0	R	ACTIVE_NVM_BANK	0x03 when no NVM burn by customer 0x0F when 1 NVM bank has been burned by customer 0x3F when 2 NVM banks have been burned by customer When ACTIVE_NVM_BANK = 0x3F, the last bank has already been burned. See 3.2 NVM Programming for a detailed description of how to program the NVM.

Table 14.34. 0x00E3

Reg Address	Bit Field	Type	Setting Name	Description
0x00E3	7:0	R/W	NVM_WRITE	Write 0xC7 to initiate an NVM bank burn.

Table 14.35. 0x00E4

Reg Address	Bit Field	Type	Setting Name	Description
0x00E4	0	S	NVM_READ_BANK	When set, this bit will read the NVM down into the volatile memory.

Table 14.36. 0x00F6

Reg Address	Bit Field	Type	Setting Name	Description
0x00F6	0	R	REG_0XF7_INTR	Set by CBPro
0x00F6	1	R	REG_0XF8_INTR	Set by CBPro
0x00F6	2	R	REG_0XF9_INTR	Set by CBPro

Table 14.37. 0x00F7

Reg Address	Bit Field	Type	Setting Name	Description
0x00F7	0	R	SYSINCAL_INTR	Set by CBPro
0x00F7	1	R	LOSXAXB_INTR	Set by CBPro
0x00F7	2	R	LOSREF_INTR	Set by CBPro
0x00F7	3	R	LOL_INTR	Set by CBPro
0x00F7	4	R	LOSVCO_INTR	Set by CBPro
0x00F7	5	R	SMBUS_TIME_OUT_INTR	Set by CBPro

Table 14.38. 0x00F8

Reg Address	Bit Field	Type	Setting Name	Description
0x00F8	3:0	R	LOS_INTR	Set by CBPro

Table 14.39. 0x00FE Device Ready

Reg Address	Bit Field	Type	Setting Name	Description
0x00FE	7:0	R	DEVICE_READY	Ready Only byte to indicate device is ready. When read data is 0x0F one can safely read/write registers. This register is repeated on every page therefore a page write is not ever required to read the DEVICE_READY

14.2.2 Page 1 Registers Si5341

Table 14.40. 0x0102 All Output Clock Driver Disable

Reg Address	Bit Field	Type	Setting Name	Description
0x0102	0	R/W	OUTALL_DISABLE_LOW	0: Disables all output drivers. 1: No output drivers are disabled by this bit, but other signals may disable the outputs.

Table 14.41. 0x0108 Clock Output 0 Configs and DIV2 Mode

Reg Address	Bit Field	Type	Setting Name	Description
0x0108	0	R/W	OUT0_PDN	Output driver 0: 0 to power up the driver, 1 to power down the driver. Clock outputs will be weakly pulled-low.
0x0108	1	R/W	OUT0_OE	Output driver 0: 0 to disable the output, 1 to enable the output
0x0108	2	R/W	OUT0_RDIV_FORCE2	0 R0 divider value is set by R0_REG 1 R0 divider value is forced into divide by 2

Setting R0_REG=0 will not set the divide value to divide-by-2 automatically. OUT0_RDIV_FORCE2 must be set to a value of 1 to force R0 to divide-by-2. Note that the R0_REG value will be ignored while OUT0_RDIV_FORCE2 = 1. See R0_REG registers, 0x024A-0x024C, for more information.

Table 14.42. 0x0109 Clock Output 0 Format

Reg Address	Bit Field	Type	Setting Name	Description
0x0109	2:0	R/W	OUT0_FORMAT	0: Reserved 1: normal differential 2: low power differential 3: reserved 4: LVCMOS 5–7: Reserved
0x0109	3	R/W	OUT0_SYNC_EN	0 disable 1: Enable Enable/disable synchronized (glitchless) operation. When enabled, the power down and output enables are synchronized to the output clock.
0x0109	5:4	R/W	OUT0_DIS_STATE	Determines the state of an output driver when disabled, selectable as: 0: Disable in low state 1: Disable in high state 2: Reserved 3: Reserved
0x0109	7:6	R/W	OUT0_CMOS_DRV	LVCMOS output impedance. See 5.3.5 LVCMOS Output Impedance and Drive Strength Selection .

See [5.2 Performance Guidelines for Outputs](#).

Table 14.43. 0x010A Clock Output 0 Amplitude and Common Mode Voltage

Reg Address	Bit Field	Type	Setting Name	Description
0x010A	3:0	R/W	OUT0_CM	This field only applies when OUT0_FORMAT=1 or 2. See Table 5.4 Settings for LVDS, LVPECL, and HCSL on page 25 and 15. Appendix—Setting the Differential Output Driver to Non-Standard Amplitudes for details of the settings.
0x010A	6:4	R/W	OUT0_AMPL	This field only applies when OUT0_FORMAT=1, 2, or 3. See Table 5.4 Settings for LVDS, LVPECL, and HCSL on page 25 and 15. Appendix—Setting the Differential Output Driver to Non-Standard Amplitudes for details of the settings.

ClockBuilder Pro sets the correct common mode voltage and amplitude for LVDS, LVPECL, and HCSL outputs.

Table 14.44. 0x010B Clock Output 0 Mux and Inversion

Reg Address	Bit Field	Type	Setting Name	Description
0x010B	2:0	R/W	OUT0_MUX_SEL	Output driver 0 input mux select. This selects the multi-synth (N divider) that is connected to the output driver. 0: N0 1: N1 2: N2 3: N3 4: N4 5-7: Reserved
0x010B	3	R/W	OUT0_VDD_SEL_EN	Output Driver VDD Select Enable. Set to 1 for normal operation.
0x010B	5:4	R/W	OUT0_VDD_SEL	Output Driver VDD Select 0: 3.3V 1: 1.8V 2: 2.5V 3: Reserved
0x010B	7:6	R/W	OUT0_INV	0: CLK and CLKb not inverted 1: CLKb inverted 2: CLK and CLKb inverted 3: CLK inverted

Each of the 10 output drivers can be connected to any of the five N dividers. More than one output driver can connect to the same N divider.

The 10 output drivers are all identical. The single set of descriptions above for output driver 0 applies to the other nine output drivers.

Table 14.45. Registers for OUT1,2,3,4,5,6,7,8,9 as per Above for OUT0

Register Address	Description	(Same as) Address
0x010D	OUT1_PDN, OUT1_OE, OUT1_RDIV_FORCE2	0x0108
0x010E	OUT1_FORMAT, _SYNC_EN, DIS_STATE, _CMOS_DRV	0x0109
0x010F	OUT1_CM, OUT1_AMPL	0x010A
0x0110	OUT1_MUX_SEL, OUT1_VDD_SEL_EN, OUT1_VDD_SEL, OUT1_INV	0x010B
0x0112	OUT2_PDN, OUT2_OE, OUT2_RDIV_FORCE2	0x0108
0x0113	OUT2_FORMAT, _SYNC_EN, DIS_STATE, _CMOS_DRV	0x0109
0x0114	OUT2_CM, OUT2_AMPL	0x010A
0x0115	OUT2_MUX_SEL, OUT2_VDD_SEL_EN, OUT2_VDD_SEL, OUT2_INV	0x010B
0x0117	OUT3_PDN, OUT3_OE, OUT3_RDIV_FORCE2	0x0108
0x0118	OUT3_FORMAT, _SYNC_EN, DIS_STATE, _CMOS_DRV	0x0109
0x0119	OUT3_CM, OUT3_AMPL	0x010A
0x011A	OUT3_MUX_SEL, OUT3_VDD_SEL_EN, OUT3_VDD_SEL, OUT3_INV	0x010B
0x011C	OUT4_PDN, OUT4_OE, OUT4_RDIV_FORCE2	0x0108
0x011D	OUT4_FORMAT, _SYNC_EN, DIS_STATE, _CMOS_DRV	0x0109
0x011E	OUT4_CM, OUT4_AMPL	0x010A
0x011F	OUT4_MUX_SEL, OUT4_VDD_SEL_EN, OUT4_VDD_SEL, OUT4_INV	0x010B
0x0121	OUT5_PDN, OUT5_OE, OUT5_RDIV_FORCE2	0x0108
0x0122	OUT5_FORMAT, _SYNC_EN, DIS_STATE, _CMOS_DRV	0x0109
0x0123	OUT5_CM, OUT5_AMPL	0x010A
0x0124	OUT5_MUX_SEL, OUT5_VDD_SEL_EN, OUT5_VDD_SEL, OUT5_INV	0x010B
0x0126	OUT6_PDN, OUT6_OE, OUT6_RDIV_FORCE2	0x0108
0x0127	OUT6_FORMAT, _SYNC_EN, DIS_STATE, _CMOS_DRV	0x0109
0x0128	OUT6_CM, OUT6_AMPL	0x010A
0x0129	OUT6_MUX_SEL, OUT6_VDD_SEL_EN, OUT6_VDD_SEL, OUT6_INV	0x010B
0x012B	OUT7_PDN, OUT7_OE, OUT7_RDIV_FORCE2	0x0108
0x012C	OUT7_FORMAT, _SYNC_EN, DIS_STATE, _CMOS_DRV	0x0109
0x012D	OUT7_CM, OUT7_AMPL	0x010A
0x012E	OUT7_MUX_SEL, OUT7_VDD_SEL_EN, OUT7_VDD_SEL, OUT7_INV	0x010B
0x0130	OUT8_PDN, OUT8_OE, OUT8_RDIV_FORCE2	0x0108
0x0131	OUT8_FORMAT, _SYNC_EN, DIS_STATE, _CMOS_DRV	0x0109
0x0132	OUT8_CM, OUT8_AMPL	0x010A
0x0133	OUT8_MUX_SEL, OUT8_VDD_SEL_EN, OUT8_VDD_SEL, OUT8_INV	0x010B
0x013A	OUT9_PDN, OUT9_OE, OUT9_RDIV_FORCE2	0x0108
0x013B	OUT9_FORMAT, _SYNC_EN, DIS_STATE, _CMOS_DRV	0x0109
0x013C	OUT9_CM, OUT9_AMPL	0x010A

Register Address	Description	(Same as) Address
0x013D	OUT9_MUX_SEL, OUT9_VDD_SEL_EN, OUT9_VDD_SEL, OUT9_INV	0x010B

Table 14.46. 0x013F-0x0140

Reg Address	Bit Field	Type	Setting Name	Description
0x013F	7:0	R/W	OUTX_ALWAYS_ON	This setting is managed by CBPro during zero delay mode.
0x0140	11:8	R/W	OUTX_ALWAYS_ON	

Table 14.47. 0x0141

Reg Address	Bit Field	Type	Setting Name	Description
0x0141	5	R/W	OUT_DIS_LOL_MS K	Set by CBPro
0x0141	7	R/W	OUT_DIS_MSK_LO S_PFD	Set by CBPro

Table 14.48. 0x0145 Power Down All Outputs

Reg Address	Bit Field	Type	Setting Name	Description
0x0145	0	R/W	OUT_PDN_ALL	0- no effect 1- all drivers powered down

14.2.3 Page 2 Registers Si5341

Table 14.49. 0x0202-0x0205 XAXB Frequency Adjust

Reg Address	Bit Field	Type	Setting Name	Description
0x0202	7:0	R/W	XAXB_FREQ_OFFSET	32 bit 2's complement offset adjustment
0x0203	15:8	R/W	XAXB_FREQ_OFFSET	
0x0204	23:16	R/W	XAXB_FREQ_OFFSET	
0x0205	31:24	R/W	XAXB_FREQ_OFFSET	

The clock that is present on XAXB pins is used to create an internal frequency reference for the PLL. The XAXB_FREQ_OFFSET word is added to the M_NUM to shift the VCO frequency to compensate for a crystal that does not have an 8 pf CL specification.

Table 14.50. 0x0206 PXAXB Divider

Reg Address	Bit Field	Type	Setting Name	Description
0x0206	1:0	R/W	PXAXB	Sets the value for the divider on the XAXB input.

- 0 = divider value 1
- 1 = divider value 2
- 2 = divider value 4
- 3 = divider value 8

The following registers configure the P-dividers, which are located at the four input clocks seen in [Figure 2.1 Si5341 Detailed Block Diagram on page 10](#). ClockBuilder Pro calculates the correct values for the P-dividers.

Table 14.51. 0x0208-0x020D P0 Dividers

Reg Address	Bit Field	Type	Setting Name	Description
0x0208	7:0	R/W	P0	48-bit Integer Number
0x0209	15:8	R/W	P0	
0x020A	23:16	R/W	P0	
0x020B	31:24	R/W	P0	
0x020C	39:32	R/W	P0	
0x020D	47:40	R/W	P0	

Table 14.52. 0x020E-0x0211 P0 Divider Enable/Set

Reg Address	Bit Field	Type	Setting Name	Description
0x020E	7:0	R/W	P0_SET	Set by CBPro
0x020F	15:8	R/W	P0_SET	
0x0210	23:16	R/W	P0_SET	
0x0211	31:24	R/W	P0_SET	

Table 14.53. 0x0212-0x0217 P1 Dividers

Reg Address	Bit Field	Type	Setting Name	Description
0x0212	7:0	R/W	P1	48-bit Integer Number
0x0213	15:8	R/W	P1	
0x0214	23:16	R/W	P1	
0x0215	31:24	R/W	P1	
0x0216	39:32	R/W	P1	
0x0217	47:40	R/W	P1	

Table 14.54. 0x0218-0x021B P1 Divider Enable/Set

Reg Address	Bit Field	Type	Setting Name	Description
0x0218	7:0	R/W	P1_SET	Set by CBPro
0x0219	15:8	R/W	P1_SET	
0x021A	23:16	R/W	P1_SET	
0x021B	31:24	R/W	P1_SET	

Table 14.55. 0x021C-0x0221 P2 Dividers

Reg Address	Bit Field	Type	Setting Name	Description
0x021C	7:0	R/W	P2	48-bit Integer Number
0x021D	15:8	R/W	P2	
0x021E	23:16	R/W	P2	
0x021F	31:24	R/W	P2	
0x0220	39:32	R/W	P2	
0x0221	47:40	R/W	P2	

Table 14.56. 0x0222-0x0225 P2 Divider Enable/Set

Reg Address	Bit Field	Type	Setting Name	Description
0x0222	7:0	R/W	P2_SET	Set by CBPro
0x0223	15:8	R/W	P2_SET	
0x0224	23:16	R/W	P2_SET	
0x0225	31:24	R/W	P2_SET	

Table 14.57. 0x0226-0x022B P3 Dividers

Reg Address	Bit Field	Type	Setting Name	Description
0x0226	7:0	R/W	P3	48-bit Integer Number
0x0227	15:8	R/W	P3	
0x0228	23:16	R/W	P3	
0x0229	31:24	R/W	P3	
0x022A	39:32	R/W	P3	
0x022B	47:40	R/W	P3	

Table 14.58. 0x022C-0x022F P3 Divider Enable/Set

Reg Address	Bit Field	Type	Setting Name	Description
0x022C	7:0	R/W	P3_SET	Set by CBPro
0x022D	15:8	R/W	P3_SET	
0x022E	23:16	R/W	P3_SET	
0x022F	31:24	R/W	P3_SET	

Table 14.59. 0x0230 P Divider Update Bits

Reg Address	Bit Field	Type	Setting Name	Description
0x0230	0	S	P0_UPDATE	Must write a 1 to this bit to cause a change to the P0 divider to take effect.
0x0230	1	S	P1_UPDATE	Must write a 1 to this bit to cause a change to the P1 divider to take effect.
0x0230	2	S	P2_UPDATE	Must write a 1 to this bit to cause a change to the P2 divider to take effect.
0x0230	3	S	P3_UPDATE	Must write a 1 to this bit to cause a change to the P3 divider to take effect.

Bits 7:4 of this register have no function and can be written to any value

Table 14.60. 0x0235-0x023A M Divider Numerator

Reg Address	Bit Field	Type	Setting Name	Description
0x0235	7:0	R/W	M_NUM	44-bit Integer Number
0x0236	15:8	R/W	M_NUM	
0x0237	23:16	R/W	M_NUM	
0x0238	31:24	R/W	M_NUM	
0x0239	39:32	R/W	M_NUM	
0x023A	43:40	R/W	M_NUM	

Table 14.61. 0x023B-0x023E M Divider Denominator

Reg Address	Bit Field	Type	Setting Name	Description
0x023B	7:0	R/W	M_DEN	32-bit Integer Number
0x023C	15:8	R/W	M_DEN	
0x023D	23:16	R/W	M_DEN	
0x023E	31:24	R/W	M_DEN	

The M-divider numerator and denominator is determined by ClockBuilder Pro for a given frequency plan.

Table 14.62. 0x023F M Divider Update Bit

Reg Address	Bit Field	Type	Setting Name	Description
0x023F	0	S	M_UPDATE	Must write a 1 to this bit to cause M divider changes to take effect.

Bits 7:1 of this register have no function and can be written to any value.

Table 14.63. 0x024A-0x024C R0 Divider

Reg Address	Bit Field	Type	Setting Name	Description
0x024A	7:0	R/W	R0_REG	24-bit Integer Number. Divide value = (R0_REG+1) x 2 To set R0 = 2, set OUT0_RDIV_FORCE2 = 1, and then the R0_REG value is irrelevant. When OUT0_RDIV_FORCE2 = 0, then setting R0_REG = 0 will disable the divider.
0x024B	15:8	R/W	R0_REG	
0x024C	23:16	R/W	R0_REG	

The final output R dividers are even dividers beginning with divide-by-2. While all other values follow the formula in the bit description above, divide-by-2 requires an extra bit to be set. For divide-by-2, set OUT0_RDIV_FORCE2 = 1. See the description for register bit 0x0108[2] in this register map.

The R1-R9 dividers follow the same format as the R0 divider description above.

Table 14.64. R Dividers for Outputs 1,2,3,4,5,6,7,8,9

Register Address	Setting Name	Size	Same as Address
0x024D-0x024F	R1_REG	24-bit Integer Number	0x024A-0x024C
0x0250-0x0252	R2_REG	24-bit Integer Number	0x024A-0x024C
0x0253-0x0255	R3_REG	24-bit Integer Number	0x024A-0x024C
0x0256-0x0258	R4_REG	24-bit Integer Number	0x024A-0x024C
0x0259-0x025B	R5_REG	24-bit Integer Number	0x024A-0x024C
0x025C-0x025E	R6_REG	24-bit Integer Number	0x024A-0x024C
0x025F-0x0261	R7_REG	24-bit Integer Number	0x024A-0x024C
0x0262-0x0264	R8_REG	24-bit Integer Number	0x024A-0x024C
0x0268-0x026A	R9_REG	24-bit Integer Number	0x024A-0x024C

Table 14.65. 0x026B–0x0272 Design ID

Reg Address	Bit Field	Type	Setting Name	Description
0x026B	7:0	R/W	DESIGN_ID0	ASCII encoded string defined by CBPro user, with user defined space or null padding of unused characters. A user will normally include a configuration ID + revision ID. For example, "ULT.1A" with null character padding sets: DESIGN_ID0: 0x55 DESIGN_ID1: 0x4C DESIGN_ID2: 0x54 DESIGN_ID3: 0x2E DESIGN_ID4: 0x31 DESIGN_ID5: 0x41 DESIGN_ID6: 0x 00 DESIGN_ID7: 0x00
0x026C	15:8	R/W	DESIGN_ID1	
0x026D	23:16	R/W	DESIGN_ID2	
0x026E	31:24	R/W	DESIGN_ID3	
0x026F	39:32	R/W	DESIGN_ID4	
0x0270	47:40	R/W	DESIGN_ID5	
0x0271	55:48	R/W	DESIGN_ID6	
0x0272	63:56	R/W	DESIGN_ID7	

Registers 0x026B - 0x0272 can also be used as User Scratch.

Table 14.66. 0x0278-0x027C OPN Identifier

Reg Address	Bit Field	Type	Setting Name	Description
0x0278	7:0	R/W	OPN_ID0	OPN unique identifier. ASCII encoded. For example, with OPN: 5341C-A12345-GM, 12345 is the OPN unique identifier, which sets: OPN_ID0: 0x31 OPN_ID1: 0x32 OPN_ID2: 0x33 OPN_ID3: 0x34 OPN_ID4: 0x35
0x0279	15:8	R/W	OPN_ID1	
0x027A	23:16	R/W	OPN_ID2	
0x027B	31:24	R/W	OPN_ID3	
0x027C	39:32	R/W	OPN_ID4	

Part numbers are of the form:

Si<Part Num Base><Grade>-<Device Revision><OPN ID>-<Temp Grade><Package ID>

Examples:

Si5341C-A12345-GM.

Applies to a “custom” OPN (Ordering Part Number) device. These devices are factory pre-programmed with the frequency plan and all other operating characteristics defined by the user’s ClockBuilder Pro project file.

Si5341C-A-GM.

Applies to a “base” or “blank” OPN device. Base devices are factory pre-programmed to a specific base part type (e.g., Si5341 but **exclude** any user-defined frequency plan or other user-defined operating characteristics selected in ClockBuilder Pro.

Table 14.67. 0x027D OPN Revision

Reg Address	Bit Field	Type	Setting Name	Description
0x027D	7:0	R/W	OPN_Revision	ClockBuilder Pro sets this value based upon changes to the NVM for a given OPN.

Table 14.68. 0x027E Baseline ID

Reg Address	Bit Field	Type	Setting Name	Description
0x027E	7:0	R/W	BaseLine ID	An identifier for the device NVM without the frequency plan programmed into NVM.

14.2.4 Page 3 Registers Si5341

Table 14.69. 0x0302–0x0307 N0 Numerator

Reg Address	Bit Field	Type	Setting Name	Description
0x0302	7:0	R/W	N0_NUM	44-bit Integer Number
0x0303	15:8	R/W	N0_NUM	
0x0304	23:16	R/W	N0_NUM	
0x0305	31:24	R/W	N0_NUM	
0x0306	39:32	R/W	N0_NUM	
0x0307	43:40	R/W	N0_NUM	

The N dividers are interpolative dividers that are used as output dividers that feed into the R dividers. ClockBuilder Pro calculates the correct values for the N-dividers.

Table 14.70. 0x0308–0x030B N0 Denominator

Reg Address	Bit Field	Type	Setting Name	Description
0x0308	7:0	R/W	N0_DEN	32-bit Integer Number
0x0309	15:8	R/W	N0_DEN	
0x030A	23:16	R/W	N0_DEN	
0x030B	31:24	R/W	N0_DEN	

Table 14.71. 0x030C N0 Divider Update Bit

Reg Address	Bit Field	Type	Setting Name	Description
0x030C	0	S	N0_UPDATE	Must write a 1 to this bit to cause N0 divider changes to take effect.

Table 14.72. N1, N2, N3 Numerator and Denominators

Register Address	Setting Name	Size	Same as Address
0x030D-0x0312	N1_NUM	44-bit Integer Number	0x0302-0x0307
0x0313-0x0316	N1_DEN	32-bit Integer Number	0x0308-0x030B
0x0318-0x031D	N2_NUM	44-bit Integer Number	0x0302-0x0307
0x031E-0x0321	N2_DEN	32-bit Integer Number	0x0308-0x030B
0x0323-0x0328	N3_NUM	44-bit Integer Number	0x0302-0x0307
0x0329-0x032C	N3_DEN	32-bit Integer Number	0x0308-0x030B
0x032E-0x0333	N4_NUM	44-bit Integer Number	0x0302-0x0307
0x0334-0x0337	N4_DEN	32-bit Integer Number	0x0308-0x030B

Table 14.73. 0x0317 N1 Divider Update Bit

Reg Address	Bit Field	Type	Setting Name	Description
0x0317	0	S	N1_UPDATE	Must write a 1 to this bit to cause N1 divider changes to take effect.

Table 14.74. 0x0322 N2 Divider Update Bit

Reg Address	Bit Field	Type	Setting Name	Description
0x0322	0	S	N2_UPDATE	Must write a 1 to this bit to cause N2 divider changes to take effect.

Table 14.75. 0x032D N3 Divider Update Bit

Reg Address	Bit Field	Type	Setting Name	Description
0x032D	0	S	N3_UPDATE	Must write a 1 to this bit to cause N3 divider changes to take effect.

Table 14.76. 0x0338 N4 Divider Update Bit

Reg Address	Bit Field	Type	Setting Name	Description
0x0338	0	S	N4_UPDATE	Must write a 1 to this bit to cause N4 divider changes to take effect.

Table 14.77. 0x0338 All N Dividers Update Bit

Reg Address	Bit Field	Type	Setting Name	Description
0x0338	1	S	N_UPDATE	Writing a 1 to this bit will update all N dividers to the latest value written to them. A specific N divider that has not been changed will not be affected by writing a 1 to this bit. When this bit is written to a 1, all other bits in this byte should only be written to a 0.

Table 14.78. 0x0339 FINC/FDEC Masks

Reg Address	Bit Field	Type	Setting Name	Description
0x0339	4:0	R/W	N_FSTEP_MSK	0 to enable FINC/FDEC updates 1 to disable FINC/FDEC updates

- Bit 0 corresponds to MultiSynth N0 N_FSTEP_MSK 0x0339[0]
- Bit 1 corresponds to MultiSynth N1 N_FSTEP_MSK 0x0339[1]
- Bit 2 corresponds to MultiSynth N2 N_FSTEP_MSK 0x0339[2]
- Bit 3 corresponds to MultiSynth N3 N_FSTEP_MSK 0x0339[3]
- Bit 4 corresponds to MultiSynth N4 N_FSTEP_MSK 0x0339[4]

There is one mask bit for each of the five N dividers.

Table 14.79. 0x033B–0x0340 N0 Frequency Step Word

Reg Address	Bit Field	Type	Setting Name	Description
0x033B	7:0	R/W	N0_FSTEPW	44-bit Integer Number
0x033C	15:8	R/W	N0_FSTEPW	
0x033D	23:16	R/W	N0_FSTEPW	
0x033E	31:24	R/W	N0_FSTEPW	
0x033F	39:32	R/W	N0_FSTEPW	
0x0340	43:40	R/W	N0_FSTEPW	

This is a 44-bit integer value which is directly added (FDEC) or subtracted (FINC) from the Nx_NUM parameter when FINC or FDEC is asserted. ClockBuilder Pro calculates the correct values for the N0 Frequency Step Word. Each N divider has the ability to add or subtract up to a 44-bit value. The Nx_NUM register value does not change when an FINC or FDEC is performed so that the starting point of Nx_NUM is in the Nx_NUM register.

Table 14.80. Frequency Step Word for N1, N2, N3, N4

Register Address	Setting Name	Size	Same as Address
0x0341-0x0346	N1_FSTEPW	44-bit Integer Number	0x033B-0x0340
0x0347-0x034C	N2_FSTEPW	44-bit Integer Number	0x033B-0x0340
0x034D-0x0352	N3_FSTEPW	44-bit Integer Number	0x033B-0x0340
0x0353-0x0358	N4_FSTEPW	44-bit Integer Number	0x033B-0x0340

14.2.5 Page 9 Registers Si5341

Table 14.81. 0x090E XAXB Configuration

Reg Address	Bit Field	Type	Setting Name	Description
0x090E	0	R/W	XAXB_EXTCLK_EN	0 to use a crystal at the XAXB pins 1 to use an external clock source at the XAXB pins. A singled ended clock must be applied at the XA input.
0x090E	1	R/W	XAXB_PDNB	0-Power down the oscillator and buffer circuitry at the XA/XB pins 1- No power down

Table 14.82. 0x091C Enable Zero Delay Mode

Reg Address	Bit Field	Type	Setting Name	Description
0x091C	2:0	R/W	ZDM_EN	3 = Zero delay mode. 4 = Normal mode. All other values must not be written.

Table 14.83. 0x0943 Status and Control I/O Voltage Select

Reg Address	Bit Field	Type	Setting Name	Description
0x0943	0	R/W	IO_VDD_SEL	0 for 1.8 V external connections 1 for 3.3 V external connections

The IO_VDD_SEL configuration bit selects the option of operating the serial interface voltage thresholds from the VDD or the VDDA pin. By default the IO_VDD_SEL bit is set to the VDD option. The serial interface pins are always 3.3 V tolerant even when the device's VDD pin is supplied from a 1.8 V source. When the I²C or SPI host is operating at 3.3 V and the Si5341/40 IO_VDD_SEL = 1.8 V, the host should write the IO_VDD_SEL configuration bit to the VDDA option. This will ensure that both the host and the serial interface are operating at the optimum voltage thresholds. The IO_VDD_SEL bit also affects the status pin levels and control pin thresholds. When IO_VDD_SEL = 0, the status outputs will have a VOH of ~1.8 V. When IO_VDD_SEL = 1 the status outputs will have a VOH of ~3.3 V. When IO_VDD_SEL=0, the control input pins will have an input threshold based upon the VDD supply voltage of 1.8 V. When IO_VDD_SEL=1, the control input pins will have an input threshold based upon the VDDA supply voltage of 3.3 V. See Table 4 and Table 6 of the Si5341/40 data sheet for details.

Table 14.84. 0x0949 Clock Input Control

Reg Address	Bit Field	Type	Setting Name	Description
0x0949	3:0	R/W	IN_EN	Enables for the four inputs clocks, IN0 through FB_IN. 1 to enable, 0 to disable

- Input 0 corresponds to IN_EN 0x0949 [0].
- Input 1 corresponds to IN_EN 0x0949 [1].
- Input 2 corresponds to IN_EN 0x0949 [2].
- FB_IN corresponds to IN_EN 0x0949 [3].

Table 14.85. 0x094A Input Clock Routing Enable

Reg Address	Bit Field	Type	Setting Name	Description
0x094A	6:4	R/W	INx_TO_PFD_EN	When = 1, enables the routing of the 3 input clocks IN0,1,2 to the Phase Detector. Each bit corresponds to the inputs as follows [6:4] = [IN2 IN1 IN0]. IN_SEL is used to select the input clock that is applied to the phase detector.

Table 14.86. 0x095E

Reg Address	Bit Field	Type	Setting Name	Description
0x095E	0	R/W	M_INTEGER	Set by CBPro

14.2.6 Page A Registers Si5341**Table 14.87. 0x0A03 N Divider Clocks**

Reg Address	Bit Field	Type	Name	Description
0x0A03	4:0	R/W	N_CLK_TO_OUTX_EN	Bits in this field correspond to the N dividers as [N4 N3 N2 N1 N0]. If an N divider is used, the corresponding bit must be 1. See also registers 0x0A05 and 0x0B4A[4:0]

Table 14.88. 0x0A04 N Divider Phase Interpolator Bypass

Reg Address	Bit Field	Type	Name	Description
0x0A04	4:0	R/W	N_PIBYP	Bypasses the Phase Interpolator of the N Multisynth divider. Set to a 1 when the value of N divider is integer and will not be used as a DCO. Set to a 0 when the value of N is fractional (used as a DCO). Slightly lower output jitter may occur when the Phase Interpolator is bypassed (=1). Bits in this field correspond to the N dividers as [N4 N3 N2 N1 N0]

A soft reset reg 0x001C [0] should be asserted after changing any of these bits. If it is expected that any of the N dividers will be changing from integer to fractional, it is recommended that the corresponding bits be initialized to 0 so that when the change from integer to fractional occurs there will be no need for a soft reset. For this reason DCO (digitally controlled oscillator) and FOTF (frequency on the fly) applications should have zeros for these bits. See [DCO Applications with Jitter Attenuators](#) .

Table 14.89. 0x0A05 N Divider Power Down

Reg Address	Bit Field	Type	Name	Description
0x0A05	4:0	R/W	N_PDNB	Powers down the N divider. If an N divider is not used, set the respective bit to 0 to power it down. Bits in this field correspond to the N dividers as [N4 N3 N2 N1 N0]. See also registers 0x0A03 and 0x0B4A[4:0]

14.2.7 Page B Registers Si5341**Table 14.90. 0x0B2E Synchronous Output Disable Timeout Value**

Reg Address	Bit Field	Type	Setting Name	Description
0x0B2E	6:0	R/W	MS_OD_G_TIME- OUT	Controls the synchronous output disable timeout value during a hard reset.
0x0B2E	7	R/W	MS_OD_G_TIME- OUT_EN	

Table 14.91. 0x0B4A Divider Clock Disables

Reg Address	Bit Field	Type	Setting Name	Description
0x0B4A	4:0	R/W	N_CLK_DIS	Controls the clock to the N divider. If an N divider is used the corresponding bit must be 0. [N3 N2 N1 N0]. See also registers 0x0A03 and 0x0A05.

Table 14.92. 0x0B57

Reg Address	Bit Field	Type	Name	Description
0x0B57	7:0	R/W	VCO_RESET_CAL- CODE	12-bit value
0x0B58	11:8	R/W	VCO_RESET_CAL- CODE	

14.3 Si5340 Registers

Because preprogrammed devices are inherently quite different from one another, the default power up values of the registers can be determined using the [Custom OPN Utility](#). Some registers that are listed in the Data Sheet Addendum are not documented in the Register Map below because they are set and maintained by Clock Builder Pro. In almost all circumstances, these registers should not be modified by the user. For more details, contact [Skyworks technical support](#).

14.3.1 Page 0 Registers Si5340

Table 14.93. 0x0000 Die Rev

Reg Address	Bit Field	Type	Setting Name	Description
0x0000	3:0	R	DIE_REV	4- bit Die Revision Number 0 = Silicon Revision A0 1 = Silicon Revision A1

Table 14.94. 0x0001 Page

Reg Address	Bit Field	Type	Setting Name	Description
0x0001	7:0	R/W	PAGE	Selects one of 256 possible pages.

There is the “Page Register”, which is located at address 0x01 on every page. When read, it will indicate the current page. When written, it will change the page to the value entered. There is a page register at address 0x0001, 0x0101, 0x0201, 0x0301, ... etc.

Table 14.95. 0x0002–0x0003 Base Part Number

Reg Address	Bit Field	Type	Setting Name	Description
0x0002	7:0	R	PN_BASE	Four-digit “base” part number, one nibble per digit Example: Si5340A-A-GM. The base part number (OPN) is 5340, which is stored in this register
0x0003	15:8	R	PN_BASE	

Table 14.96. 0x0004 Device Speed/Synthesis Mode Grade

Reg Address	Bit Field	Type	Setting Name	Description
0x0004	7:0	R	GRADE	One ASCII character indicating the device speed grade 0 = A 1 = B 2 = C 3 = D

Table 14.97. 0x0005 Device Revision

Reg Address	Bit Field	Type	Setting Name	Description
0x0005	7:0	R	DEVICE_REV	One ASCII character indicating the device revision level. 0 = A Example Si5340C-A12345-GM, the device revision is “A” and stored as 0

Table 14.98. 0x0009 Temperature Grade

Reg Address	Bit Field	Type	Setting Name	Description
0x0009	7:0	R	TEMP_GRADE	Device temperature grading 0 = Industrial (-40° C to 85° C) ambient conditions

Table 14.99. 0x000A Package ID

Reg Address	Bit Field	Type	Setting Name	Description
0x000A	7:0	R	PKG_ID	Package ID 0 = 9x9 mm 64 QFN 1 = 7x7 mm 44 QFN

Part numbers are of the form:

Si<Part Num Base><Grade>-<Device Revision><OPN ID>-<Temp Grade><Package ID>

Examples:

Si5341C-A-12345-GM.

Applies to a “custom” OPN (Ordering Part Number) device. These devices are factory pre-programmed with the frequency plan and all other operating characteristics defined by the user’s ClockBuilder Pro project file.

Si5341C-A-GM.

Applies to a “base” or “blank” OPN device. Base devices are factory pre-programmed to a specific base part type (e.g., Si5341 but exclude any user-defined frequency plan or other user-defined operating characteristics selected in ClockBuilder Pro.

Table 14.100. 0x000B I2C Address

Reg Address	Bit Field	Type	Setting Name	Description
0x000B	6:0	R/W	I2C_ADDR	7 bit I ² C Address

Table 14.101. 0x000C Status Bits

Reg Address	Bit Field	Type	Setting Name	Description
0x000C	0	R	SYSINCAL	1 if the device is calibrating.
0x000C	1	R	LOSXAXB	1 if there is no signal at the XA pin as the LOS detector is only connected to the XA pin.
0x000C	2	R	LOSREF	1 if the Phase Detector does not have an input from FB_IN, IN2, IN1, or IN0.
0x000C	3	R	LOL	1 if the DSPLL is out of lock.
0x000C	5	R	SMB_TMOUT	1 if there is an SMBus timeout error.

Table 14.102. 0x000D INx Loss of Signal (LOS) Alarms

Reg Address	Bit Field	Type	Setting Name	Description
0x000D	3:0	R	LOSIN	1 if no clock is present at [FB_IN, IN2, IN1, IN0]

Note that each bit corresponds to the input. The LOS bits are not sticky.

- Input 0 (IN0) corresponds to LOS at 0x000D [0]
- Input 1 (IN1) corresponds to LOS at 0x000D [1]
- Input 2 (IN2) corresponds to LOS at 0x000D [2]
- FB_IN corresponds to LOS at 0x000D [3]
- See also LOSXAXB for LOS at the XAXB input

Table 14.103. 0x0011 Sticky Versions of Status Bits

Reg Address	Bit Field	Type	Setting Name	Description
0x0011	0	R/W	SYSINCAL_FLG	Sticky version of SYSINCAL. Write a 0 to clear the flag.
0x0011	1	R/W	LOSXAXB_FLG	Sticky version of LOSXAXB. Write a 0 to clear the flag.
0x0011	2	R/W	LOSREF_FLG	Sticky version of LOSREF. Write a 0 to clear the flag.
0x0011	3	R/W	LOL_FLG	Sticky version of LOL. Write a 0 to clear the flag.
0x0011	5	R/W	SMBUS_TIMEOUT_FLG	Sticky version of SMBUS_TIMEOUT. Write a 0 to clear the flag.

Table 14.104. 0x0012 INx LOS Flags

Reg Address	Bit Field	Type	Setting Name	Description
0x0012	3:0	R/W	LOSIN_FLG	Sticky version of LOS. Write a 0 to clear each individual flag.

Table 14.105. 0x0017 Status Flag Interrupt Masks

Reg Address	Bit Field	Type	Setting Name	Description
0x0017	0	R/W	SYSINCAL_INTR_MSK	1 to mask SYSINCAL_FLG from causing an interrupt
0x0017	1	R/W	LOSXAXB_INTR_MSK	1 to mask the LOSXAXB_FLG from causing an interrupt
0x0017	2	R/W	LOSREF_INTR_MSK	1 to mask the LOSREF_FLG from causing an interrupt
0x0017	3	R/W	LOL_INTR_MSK	1 to mask the LOL_FLG from causing an interrupt
0x0017	5	R/W	SMB_TMOUT_INTR_MSK	1 to mask SMBUS_TIMEOUT_FLG from causing an interrupt

These are the interrupt mask bits for the flags in register 0x0011. If a mask bit is set, the alarm will be blocked from causing an interrupt.

Table 14.106. 0x0018 Interrupt Masks

Reg Address	Bit Field	Type	Setting Name	Description
0x0018	3:0	R/W	LOSIN_INTR_MSK	1 to mask the interrupt from LOS_FLG[3:0]. Write a 0 to clear each individual FLAG.

- Input 0 (IN0) corresponds to LOSIN_INTR_MSK 0x0018 [0]
- Input 1 (IN1) corresponds to LOSIN_INTR_MSK 0x0018 [1]
- Input 2 (IN2) corresponds to LOSIN_INTR_MSK 0x0018 [2]
- FB_IN corresponds to LOSIN_INTR_MSK 0x0018[3]

Table 14.107. 0x001C Soft Reset

Reg Address	Bit Field	Type	Setting Name	Description
0x001C	0	S	SOFT_RST	1 Performs a soft rest. Resets the device while not re-downloading the register configuration from NVM. If output-output skew is needed and VDDOx does not come up before VDD/VDDA then a soft reset will align the output clocks. 0 No effect

This bits are of type “S”, which is self-clearing.

Table 14.108. 0x001D FINC, FDEC

Reg Address	Bit Field	Type	Setting Name	Description
0x001D	0	S	FINC	1 A rising edge will cause a frequency increment. See also N_FSTEP_MSK and Nx_FSTEPW 0 No effect
0x001D	1	S	FDEC	1 A rising edge will cause a frequency decrement. See also N_FSTEP_MSK and Nx_FSTEPW 0 No effect

Table 14.109. 0x001E Sync, Power Down and Hard Reset

Reg Address	Bit Field	Type	Setting Name	Description
0x001E	0	R/W	PDN	1 to put the device into low power mode
0x001E	1	R/W	HARD_RST	1 causes hard reset. The same as power up except that the serial port access is not held at reset. NVM is re-downloaded. This does not self-clear, so after setting the bit it must be cleared. 0 No reset
0x001E	2	S	SYNC	1 to reset all output R dividers to the same state

Table 14.110. 0x0021 Input Clock Selection

Reg Address	Bit Field	Type	Setting Name	Description
0x0021	0	R/W	IN_SEL_REGCTRL	Selects between register controlled reference clock selection and pin controlled clock selection using IN_SEL1 and IN_SEL0 pins: 0 for pin controlled clock selection 1 for register clock selection

Reg Address	Bit Field	Type	Setting Name	Description
0x0021	2:1	R/W	IN_SEL	Selects the reference clock input to the PLL when IN_SEL_REGCTRL=1. 0 IN0 1 IN1 2 IN2 3 XA/XB

Table 14.111. 0x002B SPI 3 vs 4 Wire

Reg Address	Bit Field	Type	Setting Name	Description
0x002B	3	R/W	SPI_3WIRE	0 for 4-wire SPI, 1 for 3-wire SPI

Table 14.112. 0x002C LOS Enable

Reg Address	Bit Field	Type	Setting Name	Description
0x002C	3:0	R/W	LOS_EN	1 to enable LOS for a clock input; 0 for disable
0x002C	4	R/W	LOSXAXB_DIS	0 to enable LOS for the XAXB input 1 to disable the LOS for the XAXB input

- Input 0 (IN0): LOS_EN[0]
- Input 1 (IN1): LOS_EN[1]
- Input 2 (IN2): LOS_EN[2]
- FB_IN: LOS_EN[3]

Table 14.113. 0x002D Loss of Signal Time Value

Reg Address	Bit Field	Type	Setting Name	Description
0x002D	1:0	R/W	LOS0_VAL_TIME	Clock Input 0 0 for 2 msec 1 for 100 msec 2 for 200 msec 3 for one second
0x002D	3:2	R/W	LOS1_VAL_TIME	Clock Input 1, same as above
0x002D	5:4	R/W	LOS2_VAL_TIME	Clock Input 2, same as above
0x002D	7:6	R/W	LOS3_VAL_TIME	Clock Input 3, same as above

When an input clock is gone (and therefore has an active LOS alarm), if the clock returns, there is a period of time that the clock must be within the acceptable range before the alarm is removed. This is the LOS_VAL_TIME.

Table 14.114. 0x002E-0x002F LOS0 Trigger Threshold

Reg Address	Bit Field	Type	Setting Name	Description
0x002E	7:0	R/W	LOS0_TRG_THR	16-bit Threshold Value
0x002F	15:8	R/W	LOS0_TRG_THR	

ClockBuilder Pro calculates the correct LOS register threshold trigger value for Input 0, given a particular frequency plan.

Table 14.115. 0x0030-0x0031 LOS1 Trigger Threshold

Reg Address	Bit Field	Type	Setting Name	Description
0x0030	7:0	R/W	LOS1_TRG_THR	16-bit Threshold Value
0x0031	15:8	R/W	LOS1_TRG_THR	

ClockBuilder Pro calculates the correct LOS register threshold trigger value for Input 1, given a particular frequency plan.

Table 14.116. 0x0032-0x0033 LOS2 Trigger Threshold

Reg Address	Bit Field	Type	Setting Name	Description
0x0032	7:0	R/W	LOS2_TRG_THR	16-bit Threshold Value
0x0033	15:8	R/W	LOS2_TRG_THR	

ClockBuilder Pro calculates the correct LOS register threshold trigger value for Input 2, given a particular frequency plan.

Table 14.117. 0x0034-0x0035 LOS3 Trigger Threshold

Reg Address	Bit Field	Type	Setting Name	Description
0x0034	7:0	R/W	LOS3_TRG_THR	16-bit Threshold Value
0x0035	15:8	R/W	LOS3_TRG_THR	

ClockBuilder Pro calculates the correct LOS register threshold trigger value for Input 3, given a particular frequency plan.

Table 14.118. 0x0036-0x0037 LOS0 Clear Threshold

Reg Address	Bit Field	Type	Setting Name	Description
0x0036	7:0	R/W	LOS0_CLR_THR	16-bit Threshold Value
0x0037	15:8	R/W	LOS0_CLR_THR	

ClockBuilder Pro calculates the correct LOS register clear threshold value for Input 0, given a particular frequency plan.

Table 14.119. 0x0038-0x0039 LOS1 Clear Threshold

Reg Address	Bit Field	Type	Setting Name	Description
0x0038	7:0	R/W	LOS1_CLR_THR	16-bit Threshold Value
0x0039	15:8	R/W	LOS1_CLR_THR	

ClockBuilder Pro calculates the correct LOS register clear threshold value for Input 1, given a particular frequency plan.

Table 14.120. 0x003A-0x003B LOS2 Clear Threshold

Reg Address	Bit Field	Type	Setting Name	Description
0x003A	7:0	R/W	LOS2_CLR_THR	16-bit Threshold Value
0x003B	15:8	R/W	LOS2_CLR_THR	

ClockBuilder Pro calculates the correct LOS register clear threshold value for Input 2, given a particular frequency plan.

Table 14.121. 0x003C-0x003D LOS3 Clear Threshold

Reg Address	Bit Field	Type	Setting Name	Description
0x003C	7:0	R/W	LOS3_CLR_THR	16-bit Threshold Value
0x003D	15:8	R/W	LOS3_CLR_THR	

ClockBuilder Pro calculates the correct LOS register clear threshold value for Input 3, given a particular frequency plan.

Table 14.122. 0x0041-0x0044 LOS Pre-Divider for IN0, IN1, IN3, FB_IN

Reg Address	Bit Field	Type	Setting Name	Description
0x0041	4:0	R/W	LOS0_DIV_SEL	A pre-divider that is configured by ClockBuilder Pro
0x0042	4:0	R/W	LOS1_DIV_SEL	A pre-divider that is configured by ClockBuilder Pro
0x0043	4:0	R/W	LOS2_DIV_SEL	A pre-divider that is configured by ClockBuilder Pro
0x0044	4:0	R/W	LOS3_DIV_SEL	A pre-divider that is configured by ClockBuilder Pro

The following are the pre-divider values for the above-listed registers values.

Register Value (Decimal)	Divider Value
0	1 (bypass)
1	2
2	4
3	8
4	16
5	32
6	64
7	128
8	256
9	512
10	1024
11	2048
12	4096
13	8192
14	16384
15	32768
16	65536

Table 14.123. 0x009E

Reg Address	Bit Field	Type	Setting Name	Description
0x009E	7:4	R/W	LOL_SET_THR	Configures the loss of lock set thresholds

Table 14.124. 0x00E2 Active NVM Bank

Reg Address	Bit Field	Type	Setting Name	Description
0x00E2	7:0	R	ACTIVE_NVM_BANK	0x03 when no NVM burn by customer 0x0F when 1 NVM bank has been burned by customer 0x3F when 2 NVM banks have been burned by customer When ACTIVE_NVM_BANK = 0x3F, the last bank has already been burned. See 3.2 NVM Programming for a detailed description of how to program the NVM.

Table 14.125. 0x00E3

Reg Address	Bit Field	Type	Setting Name	Description
0x00E3	7:0	R/W	NVM_WRITE	Write 0xC7 to initiate an NVM bank burn.

Table 14.126. 0x00E4

Reg Address	Bit Field	Type	Setting Name	Description
0x00E4	0	S	NVM_READ_BANK	When set, this bit will read the NVM down into the volatile memory.

Table 14.127. 0x00F6

Reg Address	Bit Field	Type	Setting Name	Description
0x00F6	0	R	REG_0XF7_INTR	Set by CBPro
0x00F6	1	R	REG_0XF8_INTR	Set by CBPro
0x00F6	2	R	REG_0XF9_INTR	Set by CBPro

Table 14.128. 0x00F7

Reg Address	Bit Field	Type	Setting Name	Description
0x00F7	0	R	SYSINCAL_INTR	Set by CBPro
0x00F7	1	R	LOSXAXB_INTR	Set by CBPro
0x00F7	2	R	LOSREF_INTR	Set by CBPro
0x00F7	3	R	LOL_INTR	Set by CBPro
0x00F7	4	R	LOSVCO_INTR	Set by CBPro
0x00F7	5	R	SMBUS_TIME_OUT_INTR	Set by CBPro

Table 14.129. 0x00F8

Reg Address	Bit Field	Type	Setting Name	Description
0x00F8	3:0	R	LOS_INTR	Set by CBPro

Table 14.130. 0x00FE Device Ready

Reg Address	Bit Field	Type	Setting Name	Description
0x00FE	7:0	R	DEVICE_READY	Ready Only byte to indicate device is ready. When read data is 0x0F one can safely read/write registers. This register is repeated on every page therefore a page write is not ever required to read the DEVICE_READY

14.3.2 Page 1 Registers Si5340

Table 14.131. 0x0102 All Output Clock Driver Disable

Reg Address	Bit Field	Type	Setting Name	Description
0x0102	0	R/W	OUTALL_DISABLE_LOW	0 disables all output drivers 1 no output drivers are disabled by this bit but other signals may disable the outputs.

Table 14.132. 0x0112 Clock Output Driver 0 Configs and Div2 Mode

Reg Address	Bit Field	Type	Setting Name	Description
0x0112	0	R/W	OUT0_PDN	Output driver 0: 0 to power up the driver, 1 to power down the driver. Clock outputs will be weakly pulled-low.
0x0112	1	R/W	OUT0_OE	Output driver 0: 0 to disable the output, 1 to enable the output
0x0112	2	R/W	OUT0_RDIV_FORCE2	0 R0 divider value is set by R0_REG 1 R0 divider value is forced into divide by 2

Setting R0_REG=0 will not set the divide value to divide-by-2 automatically. OUT0_RDIV_FORCE2 must be set to a value of 1 to force R0 to divide-by-2. Note that the R0_REG value will be ignored while OUT0_RDIV_FORCE2 = 1. See R0_REG registers, 0x0250-0x0252, for more information.

Table 14.133. 0x0113 Clock Output Driver 0 Format

Reg Address	Bit Field	Type	Setting Name	Description
0x0113	2:0	R/W	OUT0_FORMAT	0 Reserved 1 normal differential 2 Low Power differential 3 reserved 4 LVCMOS 5–7 reserved
0x0113	3	R/W	OUT0_SYNC_EN	0 disable 1 enable
0x0113	5:4	R/W	OUT0_DIS_STATE	Determines the state of an output driver when disabled, selectable as 0 disable in low state 1 disable in high state 2 reserved 3 reserved
0x0113	7:6	R/W	OUT0_CMOS_DRV	LVCMOS output impedance. See 5.3.5 LVCMOS Output Impedance and Drive Strength Selection .

Table 14.134. 0x0114 Output 0 Amplitude and Common Mode Voltage

Reg Address	Bit Field	Type	Setting Name	Description
0x0114	3:0	R/W	OUT0_CM	This field only applies when OUT0_FORMAT=1 or 2. See Table 5.4 Settings for LVDS, LVPECL, and HCSL on page 25 and 15. Appendix—Setting the Differential Output Driver to Non-Standard Amplitudes for details of the settings.
0x0114	6:4	R/W	OUT0_AMPL	This field only applies when OUT0_FORMAT=1, 2, or 3. See Table 5.4 Settings for LVDS, LVPECL, and HCSL on page 25 and 15. Appendix—Setting the Differential Output Driver to Non-Standard Amplitudes for details of the settings when the OUT0_FORMAT=1 or 2.

Table 14.135. 0x0115 Clock Output 0 Mux and Inversion

Reg Address	Bit Field	Type	Setting Name	Description
0x0115	2:0	R/W	OUT0_MUX_SEL	Output driver 0 input mux select. This selects the source of the multisynth. 0: N0 1: N1 2: N2 3: N3 4: Reserved 5-7: Reserved
0x0115	3	R/W	OUT0_VDD_SEL_EN	Output Driver VDD Select Enable. Set to 1 for normal operation.
0x0115	5:4	R/W	OUT0_VDD_SEL	Output Driver VDD Select 0: 3.3V 1: 1.8V 2: 2.5V 3: Reserved
0x0115	7:6	R/W	OUT0_INV	CLK and CLKb not inverted CLKb inverted CLK and CLKb inverted CLK inverted

Each of the 4 output drivers can be connected to any of the N dividers. More than 1 output driver can connect to the same N divider. The four output drivers are all identical. The single set of descriptions above for output driver 0 applies to the other three output drivers.

Table 14.136. Registers for OUT1,2,3 as per OUT0 Above

Register Address	Description	(Same as) Address
0x0117	OUT1_PDN, OUT1_OE, OUT1_RDIV_FORCE2	0x0112
0x0118	OUT1_FORMAT, _SYNC_EN, DIS_STATE, _CMOS_DRV	0x0113

Register Address	Description	(Same as) Address
0x0119	OUT1_AMPL, OUT1_CM	0x0114
0x011A	OUT1_MUX_SEL, OUT1_VDD_SEL_EN, OUT1_VDD_SEL, OUT1_INV	0x0115
0x0126	OUT2_PDN, OUT2_OE, OUT2_RDIV_FORCE2	0x0112
0x0127	OUT2_FORMAT, _SYNC_EN, DIS_STATE, _CMOS_DRV	0x0113
0x0128	OUT2_AMPL, OUT2_CM	0x0114
0x0129	OUT2_MUX_SEL, OUT2_VDD_SEL_EN, OUT2_VDD_SEL, OUT2_INV	0x0115
0x012B	OUT3_PDN, OUT3_OE, OUT3_RDIV_FORCE2	0x0112
0x012C	OUT3_FORMAT, _SYNC_EN, DIS_STATE, _CMOS_DRV	0x0113
0x012D	OUT3_AMPL, OUT3_CM	0x0114
0x012E	OUT3_MUX_SEL, OUT3_VDD_SEL_EN, OUT3_VDD_SEL, OUT3_INV	0x0115

Table 14.137. 0x013F-0x0140

Reg Address	Bit Field	Type	Setting Name	Description
0x013F	7:0	R/W	OUTX_ALWAYS_ON	This setting is managed by CBPro during zero delay mode.
0x0140	11:8	R/W	OUTX_ALWAYS_ON	

Table 14.138. 0x0141

Reg Address	Bit Field	Type	Setting Name	Description
0x0141	5	R/W	OUT_DIS_LOL_MSK	Set by CBPro
0x0141	7	R/W	OUT_DIS_MSK_LOS_PFD	Set by CBPro

Table 14.139. 0x0145 Power Down All Outputs

Reg Address	Bit Field	Type	Setting Name	Description
0x0145	0	R/W	OUT_PDN_ALL	0: No effect 1: All drivers powered down

14.3.3 Page 2 Registers Si5340

Table 14.140. 0x0202-0x0205 XAXB Frequency Adjust

Reg Address	Bit Field	Type	Setting Name	Description
0x0202	7:0	R/W	XAXB_FREQ_OFFSET	32 bit 2's complement offset adjustment
0x0203	15:8	R/W	XAXB_FREQ_OFFSET	
0x0204	23:16	R/W	XAXB_FREQ_OFFSET	
0x0205	31:24	R/W	XAXB_FREQ_OFFSET	

The clock that is present on XAXB pins is used to create an internal frequency reference for the PLL. The XAXB_FREQ_OFFSET word is added to the M_NUM to shift the VCO frequency to compensate for a crystal that does not have an 8 pf CL specification. The adjustment range is up to ± 1000 ppm.

Table 14.141. 0x0206 PXAXB Divider Value

Reg Address	Bit Field	Type	Setting Name	Description
0x0206	1:0	R/W	PXAXB	Sets the value for the divider on the XAXB input.

- 0 = divider value 1
- 1 = divider value 2
- 2 = divider value 4
- 3 = divider value 8

The following registers configure the P-dividers, which are located at the four input clocks seen in [Figure 2.2 Si5340 Detailed Block Diagram on page 11](#). ClockBuilder Pro calculates the correct values for the P-dividers.

Table 14.142. 0x0208-0x020D P0 Dividers

Reg Address	Bit Field	Type	Setting Name	Description
0x0208	7:0	R/W	P0	48-bit Integer Number
0x0209	15:8	R/W	P0	
0x020A	23:16	R/W	P0	
0x020B	31:24	R/W	P0	
0x020C	39:32	R/W	P0	
0x020D	47:40	R/W	P0	

Table 14.143. 0x020E-0x0211 P0 Divider Enable/Set

Reg Address	Bit Field	Type	Setting Name	Description
0x020E	7:0	R/W	P0_SET	Set by CBPro
0x020F	15:8	R/W	P0_SET	
0x0210	23:16	R/W	P0_SET	
0x0211	31:24	R/W	P0_SET	

Table 14.144. 0x0212-0x0217 P1 Dividers

Reg Address	Bit Field	Type	Setting Name	Description
0x0212	7:0	R/W	P1	48-bit Integer Number
0x0213	15:8	R/W	P1	
0x0214	23:16	R/W	P1	
0x0215	31:24	R/W	P1	
0x0216	39:32	R/W	P1	
0x0217	47:40	R/W	P1	

Table 14.145. 0x0218-0x021B P1 Divider Enable/Set

Reg Address	Bit Field	Type	Setting Name	Description
0x0218	7:0	R/W	P1_SET	Set by CBPro
0x0219	15:8	R/W	P1_SET	
0x021A	23:16	R/W	P1_SET	
0x021B	31:24	R/W	P1_SET	

Table 14.146. 0x021C-0x0221 P2 Dividers

Reg Address	Bit Field	Type	Setting Name	Description
0x021C	7:0	R/W	P2	48-bit Integer Number
0x021D	15:8	R/W	P2	
0x021E	23:16	R/W	P2	
0x021F	31:24	R/W	P2	
0x0220	39:32	R/W	P2	
0x0221	47:40	R/W	P2	

Table 14.147. 0x0222-0x0225 P2 Divider Enable/Set

Reg Address	Bit Field	Type	Setting Name	Description
0x0222	7:0	R/W	P2_SET	Set by CBPro
0x0223	15:8	R/W	P2_SET	
0x0224	23:16	R/W	P2_SET	
0x0225	31:24	R/W	P2_SET	

Table 14.148. 0x0226-0x022B P3 Dividers

Reg Address	Bit Field	Type	Setting Name	Description
0x0226	7:0	R/W	P3	48-bit Integer Number
0x0227	15:8	R/W	P3	
0x0228	23:16	R/W	P3	
0x0229	31:24	R/W	P3	
0x022A	39:32	R/W	P3	
0x022B	47:40	R/W	P3	

Table 14.149. 0x022C-0x022F P3 Divider Enable/Set

Reg Address	Bit Field	Type	Setting Name	Description
0x022C	7:0	R/W	P3_SET	Set by CBPro
0x022D	15:8	R/W	P3_SET	
0x022E	23:16	R/W	P3_SET	
0x022F	31:24	R/W	P3_SET	

Table 14.150. 0x0230 P Divider Update Bits

Reg Address	Bit Field	Type	Setting Name	Description
0x0230	0	S	P0_UPDATE	Must write a 1 to this bit to cause a change to the P0 divider to take effect.
0x0230	1	S	P1_UPDATE	Must write a 1 to this bit to cause a change to the P1 divider to take effect.
0x0230	2	S	P2_UPDATE	Must write a 1 to this bit to cause a change to the P2 divider to take effect.
0x0230	3	S	P3_UPDATE	Must write a 1 to this bit to cause a change to the P3 divider to take effect.

Bits 7:4 of this register have no function and can be written to any value

Table 14.151. 0x0235-0x023A M Divider Numerator

Reg Address	Bit Field	Type	Setting Name	Description
0x0235	7:0	R/W	M_NUM	44-bit Integer Number
0x0236	15:8	R/W	M_NUM	
0x0237	23:16	R/W	M_NUM	
0x0238	31:24	R/W	M_NUM	
0x0239	39:32	R/W	M_NUM	
0x023A	43:40	R/W	M_NUM	

Table 14.152. 0x023B-0x023E M Divider Denominator

Reg Address	Bit Field	Type	Setting Name	Description
0x023B	7:0	R/W	M_DEN	32-bit Integer Number
0x023C	15:8	R/W	M_DEN	
0x023D	23:16	R/W	M_DEN	
0x023E	31:24	R/W	M_DEN	

The M-divider numerator and denominator is determined by ClockBuilder Pro for a given frequency plan.

Table 14.153. 0x023F M Divider Update Bit

Reg Address	Bit Field	Type	Setting Name	Description
0x023F	0	S	M_UPDATE	Must write a 1 to this bit to cause M divider changes to take effect.

Bits 7:1 of this register have no function and can be written to any value

Table 14.154. 0x0250-0x0252 R0 Divider

Reg Address	Bit Field	Type	Setting Name	Description
0x0250	7:0	R/W	R0_REG	24-bit Integer Number. Divide value = (R0_REG+1) x 2 To set R0 = 2, set OUT0_RDIV_FORCE2 = 1, and then the R0_REG value is irrelevant. When OUT0_RDIV_FORCE2 = 0, then setting R0_REG = 0 will disable the divider.
0x0251	15:8	R/W	R0_REG	
0x0252	23:16	R/W	R0_REG	

The final output R dividers are even dividers beginning with divide-by-2. While all other values follow the formula in the bit description above, divide-by-2 requires an extra bit to be set. For divide-by-2, set OUT0_RDIV_FORCE2 = 1. See the description for register bit 0x0112[2] in this register map.

The R1-R3 dividers follow the same format as the R0 divider description above.

Table 14.155. R Dividers for Output 1,2,3

Register Address	Setting Name	Size	Same as Address
0x0253-0x0255	R1_REG	24-bit Integer Number	0x0250-0x0252
0x025C-0x025E	R2_REG	24-bit Integer Number	0x0250-0x0252
0x025F-0x0261	R3_REG	24-bit Integer Number	0x0250-0x0252

Table 14.156. 0x026B–0x0272 Design ID

Reg Address	Bit Field	Type	Setting Name	Description
0x026B	7:0	R/W	DESIGN_ID0	ASCII encoded string defined by CBPro user, with user defined space or null padding of unused characters. A user will normally include a configuration ID + revision ID. For example, "ULT.1A" with null character padding sets: DESIGN_ID0: 0x55 DESIGN_ID1: 0x4C DESIGN_ID2: 0x54 DESIGN_ID3: 0x2E DESIGN_ID4: 0x31 DESIGN_ID5: 0x41 DESIGN_ID6: 0x 00 DESIGN_ID7: 0x00
0x026C	15:8	R/W	DESIGN_ID1	
0x026D	23:16	R/W	DESIGN_ID2	
0x026E	31:24	R/W	DESIGN_ID3	
0x026F	39:32	R/W	DESIGN_ID4	
0x0270	47:40	R/W	DESIGN_ID5	
0x0271	55:48	R/W	DESIGN_ID6	
0x0272	63:56	R/W	DESIGN_ID7	

Registers 0x026B - 0x0272 can also be used as User Scratch.

Table 14.157. 0x0278-0x027C OPN Identifier

Reg Address	Bit Field	Type	Setting Name	Description
0x0278	7:0	R/W	OPN_ID0	OPN unique identifier. ASCII encoded. For example, with OPN: 5340C-A12345-GM, 12345 is the OPN unique identifier, which sets: OPN_ID0: 0x31 OPN_ID1: 0x32 OPN_ID2: 0x33 OPN_ID3: 0x34 OPN_ID4: 0x35
0x0279	15:8	R/W	OPN_ID1	
0x027A	23:16	R/W	OPN_ID2	
0x027B	31:24	R/W	OPN_ID3	
0x027C	39:32	R/W	OPN_ID4	

Part numbers are of the form:

Si<Part Num Base><Grade>-<Device Revision><OPN ID>-<Temp Grade><Package ID>

Examples:

Si5340C-A12345-GM

Applies to a “custom” OPN (Ordering Part Number) device. These devices are factory pre-programmed with the frequency plan and all other operating characteristics defined by the user’s ClockBuilder Pro project file.

Si5340C-A-GM

Applies to a “base” or “blank” OPN device. Base devices are factory pre-programmed to a specific base part type (e.g., Si5340 but exclude any user-defined frequency plan or other user-defined operating characteristics selected in ClockBuilder Pro.

Table 14.158. 0x027D OPN Revision

Reg Address	Bit Field	Type	Setting Name	Description
0x27D	7:0	R/W	OPN_Revision	ClockBuilder Pro sets this value based upon changes to the NVM for a given OPN.

Table 14.159. 0x027E Baseline ID

Reg Address	Bit Field	Type	Setting Name	Description
0x27E	7:0	R/W	BaseLine ID	An identifier for the device NVM without the frequency plan programmed into NVM.

14.3.4 Page 3 Registers Si5340

Table 14.160. 0x0302-0x0307 N0 Numerator

Reg Address	Bit Field	Type	Setting Name	Description
0x0302	7:0	R/W	N0_NUM	44-bit Integer Number
0x0303	15:8	R/W	N0_NUM	
0x0304	23:16	R/W	N0_NUM	
0x0305	31:24	R/W	N0_NUM	
0x0306	39:32	R/W	N0_NUM	
0x0307	43:40	R/W	N0_NUM	

The N dividers are interpolative dividers that are used as output dividers that feed into the R dividers. ClockBuilder Pro calculates the correct values for the N-dividers.

Table 14.161. 0x0308-0x030B N0 Denominator

Reg Address	Bit Field	Type	Setting Name	Description
0x0308	7:0	R/W	N0_DEN	32-bit Integer Number
0x0309	15:8	R/W	N0_DEN	
0x030A	23:16	R/W	N0_DEN	
0x030B	31:24	R/W	N0_DEN	

Table 14.162. 0x030C N0 Divider Update Bit

Reg Address	Bit Field	Type	Setting Name	Description
0x030C	0	S	N0_UPDATE	Must write a 1 to this bit to cause N0 divider changes to take effect.

Table 14.163. N Dividers for N1, N2, N3

Register Address	Setting Name	Size	Same as Address
0x030D-0x0312	N1_NUM	48-bit Integer Number	0x0302-0x0307
0x0313-0x0316	N1_DEN	32-bit Integer Number	0x0308-0x030B
0x0318-0x031D	N2_NUM	48-bit Integer Number	0x0302-0x0307
0x031E-0x0321	N2_DEN	32-bit Integer Number	0x0308-0x030B
0x0323-0x0328	N3_NUM	48-bit Integer Number	0x0302-0x0307
0x0329-0x032C	N3_DEN	32-bit Integer Number	0x0308-0x030B

Table 14.164. 0x0317 N1 Divider Update Bit

Reg Address	Bit Field	Type	Setting Name	Description
0x0317	0	S	N1_UPDATE	Must write a 1 to this bit to cause N1 divider changes to take effect.

Table 14.165. 0x0322 N2 Divider Update Bit

Reg Address	Bit Field	Type	Setting Name	Description
0x0322	0	S	N2_UPDATE	Must write a 1 to this bit to cause N2 divider changes to take effect.

Table 14.166. 0x032D N3 Divider Update Bit

Reg Address	Bit Field	Type	Setting Name	Description
0x032D	0	S	N3_UPDATE	Must write a 1 to this bit to cause N3 divider changes to take effect.

Table 14.167. 0x0338 All N Dividers Update Bit

Reg Address	Bit Field	Type	Setting Name	Description
0x0338	1	S	N_UPDATE	Writing a 1 to this bit will update all N dividers to the latest value written to them. A specific N divider that has not been changed will not be affected by writing a 1 to this bit. When this bit is written to a 1, all other bits in this byte should only be written to a 0.

Table 14.168. 0x0339 FINC/FDEC Masks

Reg Address	Bit Field	Type	Setting Name	Description
0x0339	3:0	R/W	N_FSTEP_MSK	0 to enable FINC/FDEC updates 1 to disable FINC/FDEC updates

- Bit 0 corresponds to MultiSynth N0 N_FSTEP_MSK 0x0339[0]
- Bit 1 corresponds to MultiSynth N1 N_FSTEP_MSK 0x0339[1]
- Bit 2 corresponds to MultiSynth N2 N_FSTEP_MSK 0x0339[2]
- Bit 3 corresponds to MultiSynth N3 N_FSTEP_MSK 0x0339[3]

There is one mask bit for each of the four N dividers.

Table 14.169. 0x033B-0x0340 N0 Frequency Step Word

Reg Address	Bit Field	Type	Setting Name	Description
0x033B	7:0	R/W	N0_FSTEPW	44-bit Integer Number
0x033C	15:8	R/W	N0_FSTEPW	
0x033D	23:16	R/W	N0_FSTEPW	
0x033E	31:24	R/W	N0_FSTEPW	
0x033F	39:32	R/W	N0_FSTEPW	
0x0340	43:40	R/W	N0_FSTEPW	

This is a 44-bit integer value which is directly added (FDEC) or subtracted (FINC) from the Nx_NUM parameter when FINC or FDEC is asserted. ClockBuilder Pro calculates the correct values for the N0 Frequency Step Word. Each N divider has the ability to add or subtract up to a 44-bit value. The Nx_NUM register value does not change when an FINC or FDEC is performed so that the starting point of Nx_NUM is in the Nx_NUM register.

Table 14.170. Frequency Step Word for N1, N2, N3

Register Address	Setting Name	Size	Same as Address
0x0341–0x0346	N1_FSTEPW	44-bit Integer Number	0x033B–0x0340
0x0347–0x034C	N2_FSTEPW	44-bit Integer Number	0x033B–0x0340
0x034D–0x0352	N3_FSTEPW	44-bit Integer Number	0x033B–0x0340

14.3.5 Page 9 Registers Si5340

Table 14.171. 0x090E XAXB Configuration

Reg Address	Bit Field	Type	Setting Name	Description
0x090E	0	R/W	XAXB_EXTCLK_EN	0 to use a crystal at the XAXB pins 1 to use an external clock source at the XAXB pins A single ended clock must be applied at the XA input.
0x090E	1	R/W	XAXB_PDNB	0-Power down the oscillator and buffer circuitry at the XA/XB pins 1- No power down

Table 14.172. 0x091C Enable Zero Delay Mode

Reg Address	Bit Field	Type	Setting Name	Description
0x091C	2:0	R/W	ZDM_EN	3 = Zero delay mode. 4 = Normal mode. All other values must not be written.

Table 14.173. 0x0943 Status and Control I/O Voltage Select

Reg Address	Bit Field	Type	Setting Name	Description
0x0943	0	R/W	IO_VDD_SEL	0 for 1.8 V external connections 1 for 3.3 V external connections

The IO_VDD_SEL configuration bit selects the option of operating the serial interface voltage thresholds from the VDD or the VDDA pin. By default the IO_VDD_SEL bit is set to the VDD option. The serial interface pins are always 3.3 V tolerant even when the device's VDD pin is supplied from a 1.8 V source. When the I²C or SPI host is operating at 3.3 V and the Si5341/40 IO_VDD_SEL = 1.8 V, the host must write the IO_VDD_SEL configuration bit to the VDDA option. This will ensure that both the host and the serial interface are operating at the optimum voltage thresholds. The IO_VDD_SEL bit also affects the status pin levels and control pin thresholds. When IO_VDD_SEL = 0, the status outputs will have a VOH of ~1.8 V. When IO_VDD_SEL = 1 the status outputs will have a VOH of ~3.3 V. When IO_VDD_SEL = 0, the control input pins will have an input threshold based upon the VDD supply voltage of 1.8 V. When IO_VDD_SEL = 1, the control input pins will have an input threshold based upon the VDDA supply voltage of 3.3 V. The IO_VDD_SEL bit has no effect on the LOL or LOSXAXB pins VOH or VOL. See Table 4 and Table 6 of the Si5341/40 data sheet for details.

Table 14.174. 0x0949 Clock Input Control

Reg Address	Bit Field	Type	Setting Name	Description
0x0949	3:0	R/W	IN_EN	Enables for the four inputs clocks, IN0 through FB_IN. 1 to enable, 0 to disable

- Input 0 corresponds to IN_EN 0x0949 [0]
- Input 1 corresponds to IN_EN 0x0949 [1]
- Input 2 corresponds to IN_EN 0x0949 [2]
- FB_IN corresponds to IN_EN 0x0949 [3]

Table 14.175. 0x094A Input Clock Routing Enable

Reg Address	Bit Field	Type	Setting Name	Description
0x094A	6:4	R/W	INx_TO_PFD_EN	When = 1, enables the routing of the 3 input clocks IN0,1,2 to the Phase Detector. Each bit corresponds to the inputs as follows [6:4] = [IN2 IN1 IN0]. IN_SEL is used to select the input clock that is applied to the phase detector.

Table 14.176. 0x095E

Reg Address	Bit Field	Type	Setting Name	Description
0x095E	0	R/W	M_INTEGER	Set by CBPro

14.3.6 Page A Registers Si5340**Table 14.177. 0x0A03 N Divider Clocks**

Reg Address	Bit Field	Type	Name	Description
0x0A03	3:0	R/W	N_CLK_TO_OUTX_EN	Bits in this field correspond to the N dividers as [N3 N2 N1 N0]. If an N divider is used, the corresponding bit must be 1. See also registers 0x0A05 and 0x0B4A[3:0]

Table 14.178. 0x0A04 N Divider Phase Interpolator Bypass

Reg Address	Bit Field	Type	Name	Description
0x0A04	3:0	R/W	N_PIBYP	Bypasses the Phase Interpolator of the N Multisynth divider. Set to a 1 when the value of N divider is integer and will not be used as a DCO. Set to a 0 when the value of N is fractional (used as a DCO). Slightly lower output jitter may occur when the Phase Interpolator is bypassed (=1). Bits in this field correspond to the N dividers as [N3 N2 N1 N0]

A soft reset reg 0x001C [0] should be asserted after changing any of these bits. If it is expected that any of the N dividers will be changing from integer to fractional, it is recommended that the corresponding bits be initialized to 0 so that when the change from integer to fractional occurs there will be no need for a soft reset. For this reason DCO (digitally controlled oscillator) and FOTF (frequency on the fly) applications should have zeros for these bits. See [DCO Applications with Jitter Attenuators](#) .

Table 14.179. 0x0A05 N Divider Power Down

Reg Address	Bit Field	Type	Name	Description
0x0A05	3:0	R/W	N_PDNB	Powers down the N divider. If an N divider is not used, set the respective bit to 0 to power it down. Bits in this field correspond to the N dividers as [N3 N2 N1 N0]. See also registers 0x0A03 and 0x0B4A[3:0]

14.3.7 Page B Registers Si5340

Table 14.180. 0x0B2E Synchronous Output Disable Timeout Value

Reg Address	Bit Field	Type	Setting Name	Description
0x0B2E	6:0	R/W	MS_OD_G_TIME- OUT	Controls the synchronous output disable timeout value during a hard reset.
0x0B2E	7	R/W	MS_OD_G_TIME- OUT_EN	

Table 14.181. 0x0B4A Divider Clock Disables

Reg Address	Bit Field	Type	Setting Name	Description
0x0B4A	3:0	R/W	N_CLK_DIS	Controls the clock to the N divider. If an N divider is used the corresponding bit must be 0. [N3 N2 N1 N0]. See also registers 0x0A03 and 0x0A05.

Table 14.182. 0x0B57

Reg Address	Bit Field	Type	Name	Description
0x0B57	7:0	R/W	VCO_RESET_CAL- CODE	12-bit value
0x0B58	11:8	R/W	VCO_RESET_CAL- CODE	

15. Appendix—Setting the Differential Output Driver to Non-Standard Amplitudes

In some applications it may be desirable to have larger or smaller differential amplitudes than produced by the standard LVPECL and LVDS settings, as selected by CBPro. In these cases, the following information describes how to implement these amplitudes by writing to the OUTx_CM and OUTx_AMPL setting names. Contact Skyworks for assistance if you want your custom configured device to be programmed for any of the settings in this appendix.

The differential output driver has a variable output amplitude capability and 2 basic formats, normal and low power format. The difference between these two formats is that the normal format has an output impedance of ~100 ohms differential and the low power format has an output impedance of > 500 Ω differential. Note that the rise/fall time is slower when using the Low Power Differential Format. See the Si5341/40 data sheet for the rise/fall time specifications.

If the standard LVDS or LVPECL compatible output amplitudes will not work for a particular application, the variable amplitude capability can be used to achieve higher or lower amplitudes. For example, a “CML” format is sometimes desired for an application. However, CML is not a defined standard and hence the amplitude of a CML signal for one receiver may be different than that of another receiver.

When the output amplitude needs to be different than standard LVDS or LVPECL, the Common Mode Voltage settings must be set as shown in the table below. No settings other than the ones in the table below are supported as the signal integrity could be compromised. In addition the output driver should be ac-coupled to the load so that the common mode voltage of the driver is not affected by the load.

Table 15.1. Output Differential Common-Mode Voltage Settings

VDDOx(Volts)	Differential Format	OUTx_FORMAT	Common Mode Voltage(Volts)	OUTx_CM
3.3	Normal	0x1	2.0	0xB
3.3	Low Power	0x2	1.6	0x7
2.5	Normal	0x1	1.3	0xC
2.5	Low Power	0x2	1.1	0xA
1.8	Normal	0x1	0.8	0xD
1.8	Low Power	0x2	0.8	0xD

The differential amplitude can be set as shown in the following table:

OUTx_AMPL	Normal Differential Format(Vpp SE mV–Typical)	Low Power Differential Format(Vpp SE mV – Typical)
0	130	200
1	230	400
2	350	620
3	450	820
4	575	1010
5	700	1200
6	810	13501
7	920	16001

See the register map portion of this document for additional information about OUTx_FORMAT, OUTx_CM and OUTx_AMPL. See [Skyworks Support and Resources](#) for assistance if you require a factory-programmed device to be configured for any of the output driver settings in this appendix.

16. Revision History

Revision 1.3

July 2020

- Changed the input termination diagram in section [4.2 Clock Inputs on IN2, IN1, IN0](#)

Revision 1.2

May 2020

- Removed section on Output Delay Control
- Removed section on Supply Voltage
- Changes made to section [3.2 NVM Programming](#)
- Added details to the ZDM section [5.5 Zero Delay Mode](#)
- Removed tool version tables
- Removed SOFTCAL setting in register 0x001C[5]
- Register 0x001E bit field 1 type changed from S to R/W and bit 2 description changed
- Corrected description for register 0x00E2
- Changed Type of registers 0x00F6, 0x00F7 and 0x00F8 from R/W to R
- Added table for register 0x00FE (Device Ready)
- Added table for register 0x013F and 0x0140
- Added Note below table 15.41 and 15.131
- Added description for register 0x0141
- Removed the User Scratch table
- Added table for registers 0x013F and 0x0140
- Description and type added for P0, P1, P2 and P3 divider Enable/Set tables
- Description added for table for M divider numerator
- Text below table for R0_REG updated
- Text added below Design_ID registers table to indicate User Scratch
- Removed tables about Nx_DELAY registers
- Description added for register 0x095E
- Text added below about register 0x0A04
- Added description for register 0x0B2E
- Added description for register 0x0B44

Revision 1.1

July 20, 2017

- Updated Dynamic PLL Section.

Revision 1.0

July 28, 2016

- Initial release.



SKYWORKS®

ClockBuilder Pro

Customize Skyworks clock generators, jitter attenuators and network synchronizers with a single tool. With CBPro you can control evaluation boards, access documentation, request a custom part number, export for in-system programming and more!

www.skyworksinc.com/CBPro



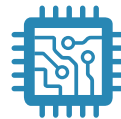
Portfolio

www.skyworksinc.com/ia/timing



SW/HW

www.skyworksinc.com/CBPro



Quality

www.skyworksinc.com/quality



Support & Resources

www.skyworksinc.com/support

Copyright © 2021 Skyworks Solutions, Inc. All Rights Reserved.

Information in this document is provided in connection with Skyworks Solutions, Inc. ("Skyworks") products or services. These materials, including the information contained herein, are provided by Skyworks as a service to its customers and may be used for informational purposes only by the customer. Skyworks assumes no responsibility for errors or omissions in these materials or the information contained herein. Skyworks may change its documentation, products, services, specifications or product descriptions at any time, without notice. Skyworks makes no commitment to update the materials or information and shall have no responsibility whatsoever for conflicts, incompatibilities, or other difficulties arising from any future changes.

No license, whether express, implied, by estoppel or otherwise, is granted to any intellectual property rights by this document. Skyworks assumes no liability for any materials, products or information provided hereunder, including the sale, distribution, reproduction or use of Skyworks products, information or materials, except as may be provided in Skyworks' Terms and Conditions of Sale.

THE MATERIALS, PRODUCTS AND INFORMATION ARE PROVIDED "AS IS" WITHOUT WARRANTY OF ANY KIND, WHETHER EXPRESS, IMPLIED, STATUTORY, OR OTHERWISE, INCLUDING FITNESS FOR A PARTICULAR PURPOSE OR USE, MERCHANTABILITY, PERFORMANCE, QUALITY OR NON-INFRINGEMENT OF ANY INTELLECTUAL PROPERTY RIGHT; ALL SUCH WARRANTIES ARE HEREBY EXPRESSLY DISCLAIMED. SKYWORKS DOES NOT WARRANT THE ACCURACY OR COMPLETENESS OF THE INFORMATION, TEXT, GRAPHICS OR OTHER ITEMS CONTAINED WITHIN THESE MATERIALS. SKYWORKS SHALL NOT BE LIABLE FOR ANY DAMAGES, INCLUDING BUT NOT LIMITED TO ANY SPECIAL, INDIRECT, INCIDENTAL, STATUTORY, OR CONSEQUENTIAL DAMAGES, INCLUDING WITHOUT LIMITATION, LOST REVENUES OR LOST PROFITS THAT MAY RESULT FROM THE USE OF THE MATERIALS OR INFORMATION, WHETHER OR NOT THE RECIPIENT OF MATERIALS HAS BEEN ADVISED OF THE POSSIBILITY OF SUCH DAMAGE.



Skyworks products are not intended for use in medical, lifesaving or life-sustaining applications, or other equipment in which the failure of the Skyworks products could lead to personal injury, death, physical or environmental damage. Skyworks customers using or selling Skyworks products for use in such applications do so at their own risk and agree to fully indemnify Skyworks for any damages resulting from such improper use or sale.

Customers are responsible for their products and applications using Skyworks products, which may deviate from published specifications as a result of design defects, errors, or operation of products outside of published parameters or design specifications. Customers should include design and operating safeguards to minimize these and other risks. Skyworks assumes no liability for applications assistance, customer product design, or damage to any equipment resulting from the use of Skyworks products outside of Skyworks' published specifications or parameters.

Skyworks, the Skyworks symbol, Sky5®, SkyOne®, SkyBlue™, Skyworks Green™, Clockbuilder®, DSPLL®, ISOModem®, ProSLIC®, and SiPHY® are trademarks or registered trademarks of Skyworks Solutions, Inc. or its subsidiaries in the United States and other countries. Third-party brands and names are for identification purposes only and are the property of their respective owners. Additional information, including relevant terms and conditions, posted at www.skyworksinc.com, are incorporated by reference.

Looking for pricing, stock, or lifecycle information?

Click below to explore more details on WIN SOURCE:

-  [View SI5341D-B-GM on WIN SOURCE](#)
-  [Skyworks Solutions Inc. Information](#)

Optimize Your Supply Chain with WIN SOURCE Solutions

-  Global Sourcing Solution
-  Obsolete Management
-  Cost Control Management
-  Shortage Management
-  Alternative Solution
-  Excess Inventory Management