



**THE DATASHEET OF
SLS32AIA020X4USON10XTMA4**

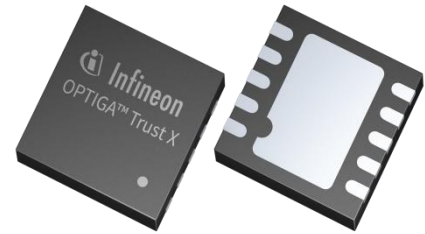


OPTIGA™ Trust X

Datasheet

Key Features

- High-end security controller
- Turnkey solution
- Mutual authentication using ECDSA
- DTLS client IETF standard RFC 6347
- Secure communication using DTLS
- Compliant with the USB Type-C™ Authentication standard
- I2C interface
- Up to 10 kB user memory
- Cryptographic support: ECC NIST P256 and P384, AES-128 (via DTLS client), SHA-256, TRNG, DRNG
- PG-USON-10-2 package (3 x 3 mm)
- Standard & extended temperature ranges
- Full system integration support with Host Software Library
- Common Criteria Certified EAL6+ (high) hardware
- Crypto ToolBox with ECC NIST P256, P384, SHA-256 (sign, verify, key generation, ECDH, key derivation)
- Device Security Monitor
- Lifetime for Industrial Automation and Infrastructure is 20 years and 15 years for other Application Profiles



Benefits

- Protection of IP and data
- Protection of business case
- Protection of corporate image
- Safeguarding of quality and safety

Applications

- Industrial control and automation
- Consumer electronics and Smart home
- Medical devices

About this document

Scope and purpose

This Datasheet provides information to enable integration of a security device, and includes package, connectivity and technical data.

Intended audience

This Datasheet is intended for device integrators and board manufacturers.

About this document	1
1 Introduction	3
1.1 Broad range of benefits	3
1.2 Enhanced security	3
1.3 Fast and easy integration	3
1.4 Applications	3
1.5 Device Features	3
2 System Block Diagram	6
3 Interface and Schematics.....	8
3.1 System Integration Schematics.....	8
4 Description of packages.....	9
4.1 PG-USON-10-2.....	9
4.2 Production sample marking pattern	10
5 Technical Data.....	12
5.1 I2C Interface Characteristics	12
5.1.1 I2C Standard/Fast Mode Interface Characteristics	12
5.1.2 I2C Fast Mode Plus Interface Characteristics	13
5.1.3 Electrical Characteristics.....	14
5.1.4 DC Electrical Characteristics.....	14
5.1.5 AC Electrical Characteristics	14
5.1.6 Start-Up of I2C Interface.....	15
5.1.6.1 Startup after Power-On	15
5.1.6.2 Startup for Warm Resets	16
6 Connecting to Host	18
6.1 OPTIGA™ Trust X Host Software Architecture	18
6.2 Release Package Folder Structure	18
6.3 Host Software Folder Structure	19
6.4 Porting Notes	21
6.5 Communication with OPTIGA™ Trust X.....	21
6.6 Reference code on XMC4500 for communicating with OPTIGA™ Trust X.....	23
7 OPTIGA™ Trust X Commands	26
8 Security Monitor	27
8.1 Security Events.....	27
8.2 Security Policy.....	27
9 RoHS Compliance	28
10 Appendix A – Infineon I2C Protocol Registry Map.....	29
10.1 IFX I2C Protocol Variations	31
11 Appendix B – Power Management.....	33
11.1 Low Power Sleep Mode	33
Revision history.....	34

1 Introduction

As embedded systems (e.g. IoT devices) are increasingly gaining the attention of attackers, Infineon offers the OPTIGA™ Trust X as a turnkey security solution for industrial automation systems, smart homes, consumer devices and medical devices. This high-end security controller comes with full system integration support for easy and cost-effective deployment of high-end security for your assets.

1.1 Broad range of benefits

Integrated into your device, the OPTIGA™ Trust X supports protection of your brand and business case, differentiates your product from your competitors, and adds value to your product, making it stronger against cyberattacks.

1.2 Enhanced security

The OPTIGA™ Trust X is based on advanced security controller with built-in tamper proof NVM for secure storage and Symmetric/Asymmetric crypto engine to support ECC 256, AES-128 and SHA-256. This new security technology greatly enhances your overall system security.

1.3 Fast and easy integration

The turnkey setup – with full system integration and all key/certificate material preprogrammed – reduces your efforts for design, integration and deployment to a minimum. As a turnkey solution, the OPTIGA™ Trust X comes with preprogrammed OS/Application code locked and with host-side modules to integrate with host micro controller software. The extended temperature range of -40°C to $+105^{\circ}\text{C}$ combined with a standardized I2C interface and the small PG-USON-10-2 footprint will facilitate onboarding in your existing ecosystem. Almost 30 years in a market-leading position with nearly 20 billion security controllers shipped worldwide are the result of Infineon's strong expertise and its commitment to make security a success factor for you.

1.4 Applications

The OPTIGA™ Trust X covers a broad range of use cases necessary for many types of applications that include the following:

- a) Network node protection such as TLS or DTLS
- b) Protect the Authenticity, Integrity and Confidentiality of your product, data and IP
- c) Mutual Authentication
- d) Secure Communication
- e) Datastore Protection
- f) Lifecycle Management
- g) Platform Integrity Protection
- h) Secure Updates

1.5 Device Features

The OPTIGA™ Trust X comes with upto 10kB user memory that can be used to store X.509 certificates. OPTIGA™ Trust X is based on Common Criteria Certified EAL6+ (high) hardware enabling it to prevent physical attacks on the device itself and providing high assurance that the keys or arbitrary data stored cannot be accessed by an unauthorized entity. OPTIGA™ Trust X supports a highspeed I2C communication interface of up to 1MHz (FM+).

Introduction

Table 1 Products

Type	Description	Temperature range	Package
OPTIGA™ Trust X SLS 32AIA020X4	Embedded security solution for connected devices	-25°C to +85°C Standard Temperature Range (STR)	PG-USON-10-2
OPTIGA™ Trust X SLS 32AIA020X2	Embedded security solution for connected devices	-40°C to +105°C Extended Temperature Range (ETR)	PG-USON-10-2
Evaluation Kit	Includes host micro controller connected to OPTIGA™ Trust X with USB/Ethernet adapters to connect to external world which enables you to evaluate OPTIGA™ Trust X features and start the Design-In activity		Board

Infineon and its distribution partners offer a wide range of customization options (e.g. X.509 certificate generation and key provisioning) for the security chip.

Table 2 Abbreviations

Abbreviation	Definition
AES	Advanced Encryption Standard
API	Application Programming Interface
AUTH	Authentication
CA	Certification Authority
DTLS	Datagram Transport Layer Security
DRNG	Deterministic Random Number Generator
EAL	Evaluation Assurance Level
ECC	Elliptic Curve Cryptography
ECDH	Elliptic Curve Diffie Hellman
ECDSA	Elliptic Curve Digital Signature Algorithm
ETR	Extended Temperature Range
IETF	Internet Engineering Task Force
IOT	Internet of Things
IP	Intellectual Property
I2C	Inter-Integrated Circuit
NIST	National Institute of Standards and Technology
OCP	OPTIGA™ Crypto and Protected Communication
OS	Operating System
PAL	Platform Abstraction Layer
PKI	Public Key Infrastructure
RFC	Request For Comments
TLS	Transport Layer Security

Abbreviation	Definition
TRNG	True Random Number Generator
SHA	Secure Hash Algorithm
SKU	Stock Keeping Unit
STR	Standard Temperature Range
USB	Universal Synchronous Bus

2 System Block Diagram

The following figure depicts the system block diagram for OPTIGA™ Trust X.

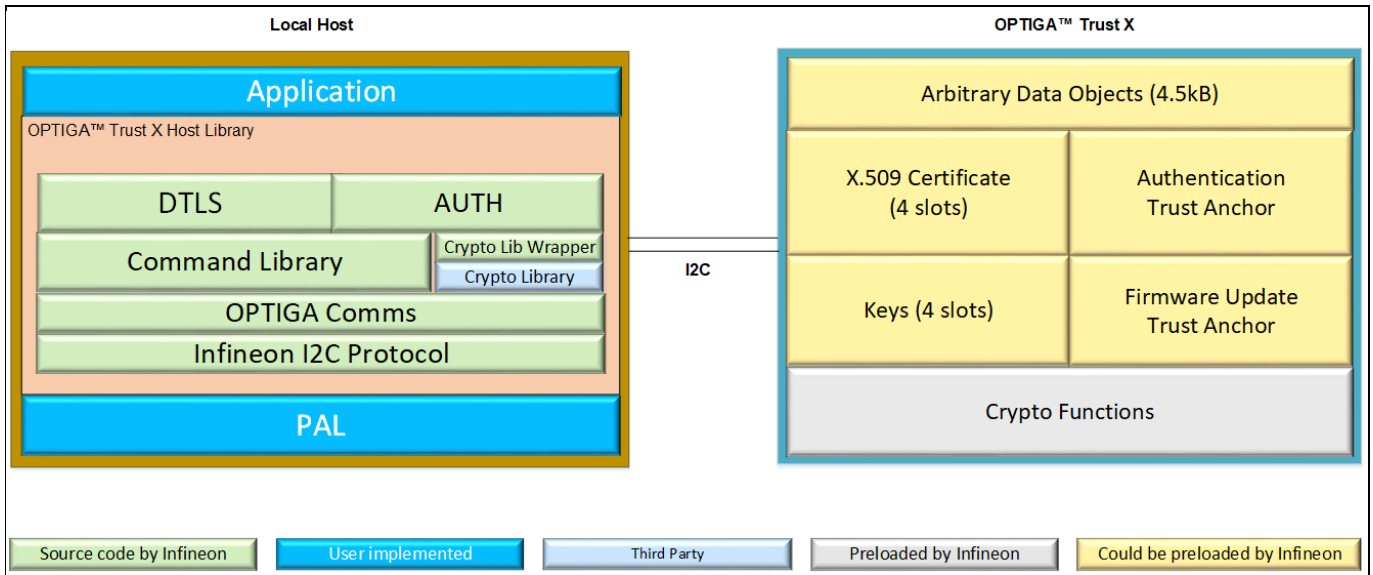


Figure 1 System Block Diagram

The System Block Diagram is explained below for each layer.

1. Local Host

- Application – This is the target application which utilizes OPTIGA™ Trust X for its security needs
- DTLS – DTLS client aka. OCP Library provides APIs for performing Mutual Authentication and Encrypted Communication using OPTIGA™ Trust X
- AUTH – Authentication aka. Integration Library provides APIs for performing One Way Authentication for Brand Protection and IP Protection using OPTIGA™ Trust X
- Command Library – Provides APIs to send and receive commands to and from OPTIGA™ Trust X. Any TLS stack can be integrated to offload crypto operations to OPTIGA™ Trust X via this Command Library.
- Crypto Lib Wrapper – Provides wrapper APIs for Third Party crypto library, mainly used in One Way Authentication
- Crypto Library – External cryptographic software which is used for One Way Authentication
- OPTIGA Comms – Provides wrapper APIs for communication with OPTIGA™ Trust X
- Infineon I2C Protocol – Infineon protocol over I2C (IFX I2C) to communicate with OPTIGA™ Trust X
- PAL – A layer that abstracts platform specific drivers (e.g. i2c, timer, gpio, sockets etc.)

2. OPTIGA™ Trust X

- Arbitrary Data Objects – The target application can store upto 4.5kB (~4600 bytes) of data into OPTIGA™ Trust X
- X.509 – Upto 4, X.509 based Certificates can be stored into OPTIGA™ Trust X
- Keys – Upto 4, ECC based keys can be stored into OPTIGA™ Trust X
- Mutual Authentication Trust Anchor – Customer PKI domain Trust Anchor for Mutual Authentication (TLS/DTLS) can be stored into OPTIGA™ Trust X

System Block Diagram

- Firmware Update Trust Anchor – Customer PKI domain Trust Anchor for Firmware Updates can be stored into OPTIGA™ Trust X
- Crypto Functions - OPTIGA™ Trust X provides cryptographic functions and protocols that can be invoked via local host

Note:

Unique ECC private keys and X.509 Certificates – During production at Infineon fab, unique asymmetric keys (private and public) are generated. The public key is signed by customer specific CA and resulting X.509 certificate issued is securely stored on OPTIGA™ Trust X. Special measures are taken to prevent leakage and modification of private key at the Common Criteria Certified production site

3 Interface and Schematics

This section explains the schematics of the product and gives some recommendations as to how the controller should be externally connected.

3.1 System Integration Schematics

Figure 1 illustrates how to integrate OPTIGA™ Trust X to your local host.

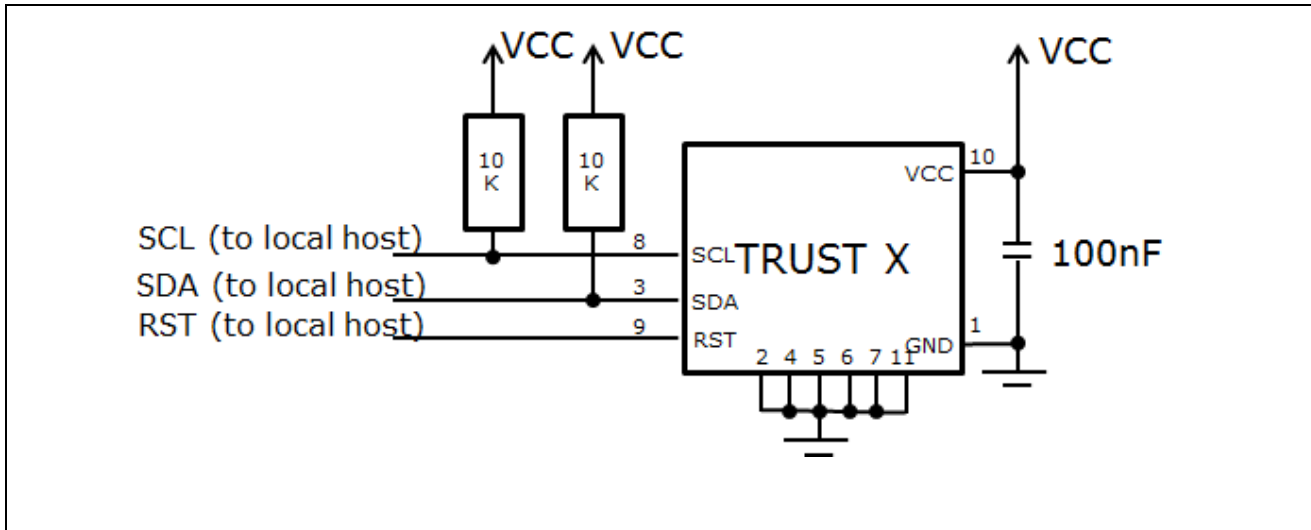


Figure 2 System Integration Schematic Diagram

Note: Value of the pullup resistors depends on the target application circuit and the targeted I2C frequency.

4 Description of packages

This chapter provides information on the package types and how the interfaces of each product are assigned to the package pins. For further information on compliance of the packages with European Parliament Directives, see "RoHS Compliance" on Page 28.

For details and recommendations regarding the assembly of packages on PCBs, please see the following: <http://www.infineon.com/cms/en/product/technology/packages/>

4.1 PG-USON-10-2

The package dimensions (in mm) of the controller in PG-USON-10-2 packages are given below.

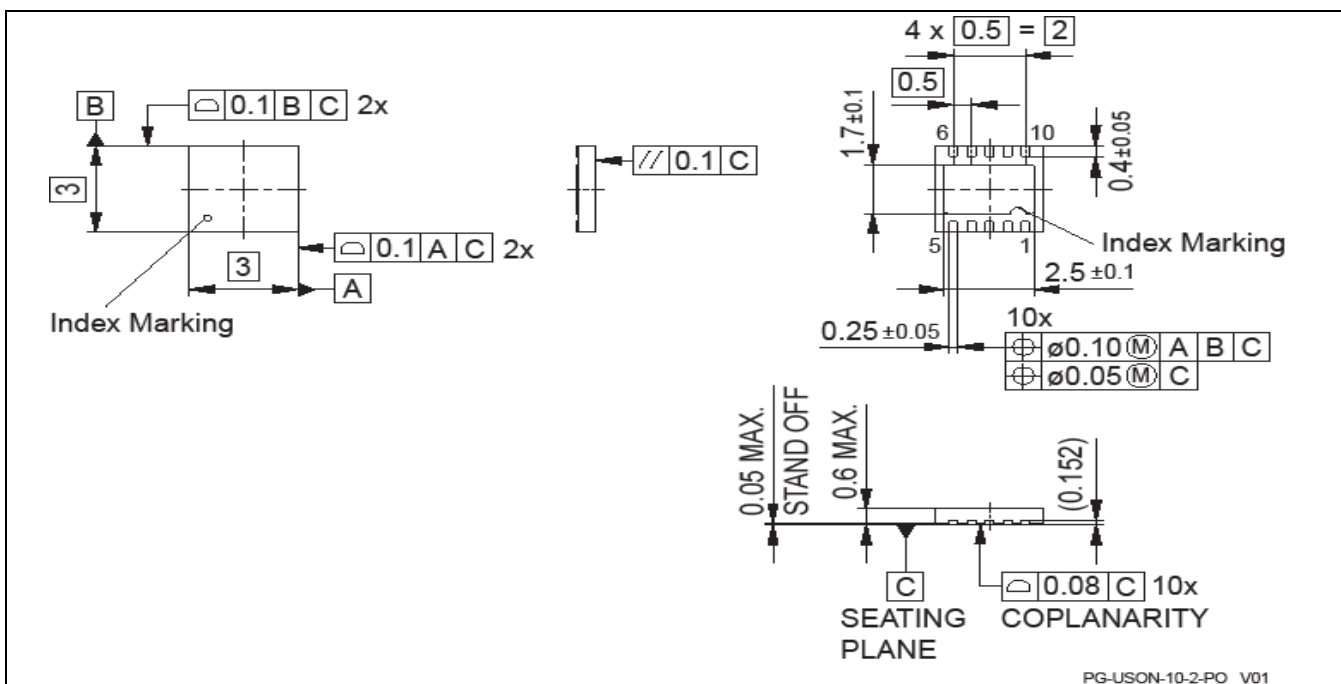


Figure 3 PG-USON-10-2 Package Outline

The following figure shows the footprint of the PG-USON-10-2 package:

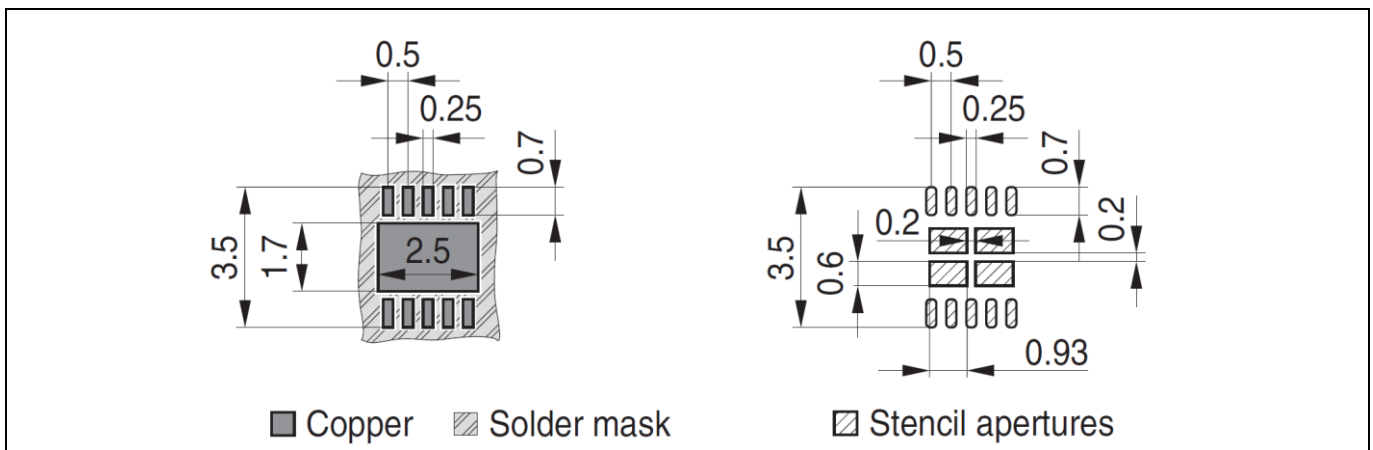


Figure 4 PG-USON-10-2 Package Footprint

The figure below shows the PG-USON-10-2 in top view:

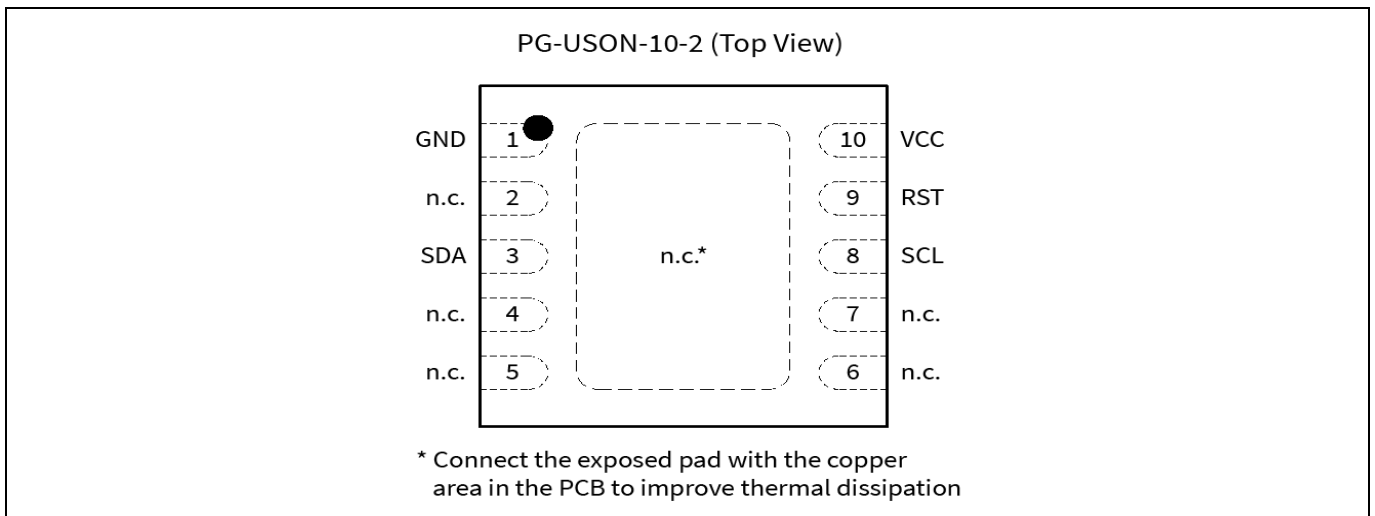


Figure 5 PG-USON-10-2 top view

4.2 Production sample marking pattern

The following figure describes the productive sample marking pattern on PG-USON-10-2.

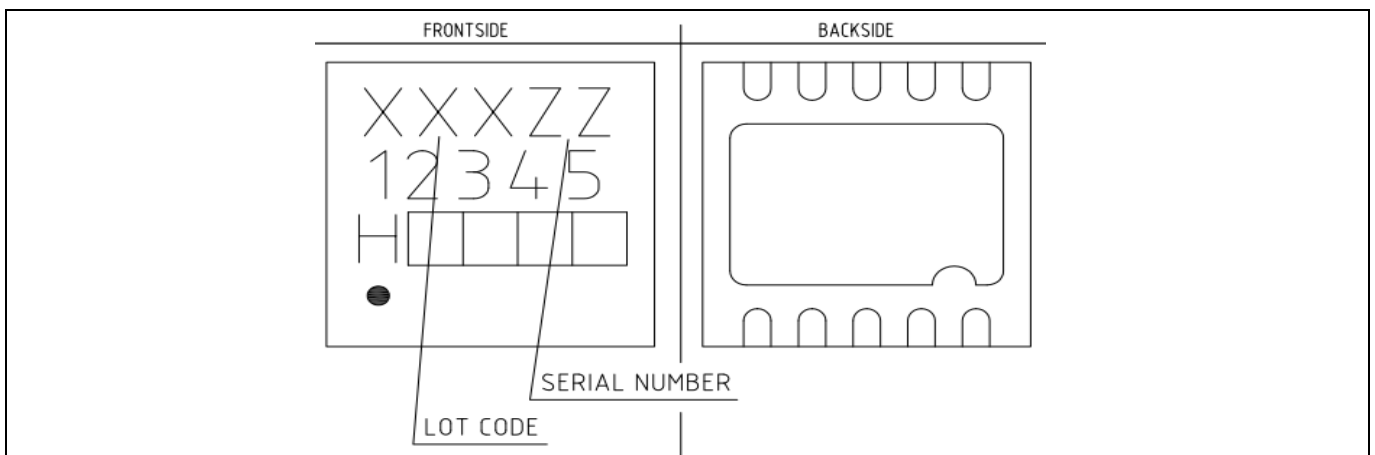


Figure 6 PG-USON-10-2 sample marking pattern

The black dot indicates pin 01 for the chip. The following table describes the sample marking pattern:

Table 3 Marking table for PG-USON-10-2 Packages

Indicator	Description
LOT CODE	Defined and inserted during fabrication
ZZ	Indicates the Certifying Authority Serial Number / SKU#, e.g. "oo" would mean "SKU#o"
H/E	H = "Halogen-free", E = "Engineering samples" This indicator is followed by "YYWW", where YY is the "Year" and WW is the "Work Week" of the production. This is inserted during fabrication. Engineering samples have "E YYWW" and productive samples have "H YYWW"

Description of packages

Indicator	Description
12345	<p>Convention: T&#@\$@ where:</p> <ul style="list-style-type: none"> • The letter "T" indicates the OPTIGA Trust family • & indicates whether the product is a Trust X or Trust E controller • # indicates whether the controller is an ETR (E) or STR (S) variant • \$ specifies the OPTIGA™ Trust X/E release version number • @ specifies the software version <p>Example: "TXE10" means 'OPTIGA™ Trust X', 'ETR variant', 'release version 1', 'software version 0'</p>

The contacts and their functionality are given in the table below.

Table 4 Contact Definitions and Functions of PG-USON-10-2 Packages

Pin	Type	Function
01	GND	Supply voltage (Ground)
02	NC	Not connected
03	I/O	Serial Data Line (SDA)
04	NC	Not connected
05	NC	Not connected
06	NC	Not connected
07	NC	Not connected
08	I/O	Serial Clock Line (SCL)
09	IN	Active Low Reset (RST)
10	PWR	Supply voltage (V _{CC})

5 Technical Data

This section summarizes the technical data of the product. It provides the operational characteristics as well as the electrical DC and AC characteristics.

5.1 I2C Interface Characteristics

Table 5 I2C Operation Supply and Input Voltages

Parameter	Symbol	Values			Unit	Note or Test Condition
		Min.	Typ.	Max.		
Supply voltage	V_{CC_I2C}	1.62	–	5.5	V	
SDA, SCL input voltage	V_{IN_I2C}	–0.3	–	$V_{CC_I2C} + 0.5$ or 5.5^1	V	V_{CC_I2C} is in the operational supply range
		–0.3	–	5.5	V	V_{CC_I2C} is switched off

1) Whichever is lower

5.1.1 I2C Standard/Fast Mode Interface Characteristics

For operation of the I2C interface, the electrical characteristics are compliant with the I²C bus specification Rev. 4 for "standard-mode" (f_{SCL} up to 100 kHz) and "fast-mode" (f_{SCL} up to 400 kHz), with certain deviations as stated in the table below.

Note: T_A as given for the operating temperature range of the controller unless otherwise stated.

Table 6 I2C Standard Mode Interface Characteristics

Parameter	Symbol	Values			Unit	Note or Test Condition
		Min.	Typ.	Max.		
SCL clock frequency	f_{SCL}	0	–	100	kHz	
Input low-level	V_{IL}	–0.3	–	$0.3 * V_{CC_I2C}$	V	
Low-level output voltage	V_{OL1}	0	–	0.4	V	Sink current 3 mA; $V_{CC_I2C} \geq 2.7$ V Sink current 2 mA; $V_{CC_I2C} < 2.7$ V
Low-level output current	I_{OL}	3 2	–	–	mA	$V_{OL} = 0.4$ V; $V_{CC_I2C} \geq 2.7$ V $V_{OL} = 0.4$ V; $V_{CC_I2C} < 2.7$ V
Output fall time from V_{IHmin} to V_{ILmax} (at device pin)	t_{OF}	–	–	250	ns	$C_b \leq 400$ pF; $V_{CC_I2C} \geq 2.7$ V $C_b \leq 200$ pF; $V_{CC_I2C} < 2.7$ V
Capacitive load for each bus line	C_b	–	–	400 200	pF	$V_{CC_I2C} \geq 2.7$ V $V_{CC_I2C} < 2.7$ V

Table 7 I2C Fast Mode Interface Characteristics

Parameter	Symbol	Values			Unit	Note or Test Condition
		Min.	Typ.	Max.		
SCL clock frequency	f_{SCL}	0	–	400	kHz	
Input low-level	V_{IL}	-0.3	–	$0.3 * V_{CC_I2C}$	V	
Low-level output voltage	V_{OL1}	0	–	0.4	V	Sink current 3 mA; $V_{CC_I2C} \geq 2.7 V$ Sink current 2 mA; $V_{CC_I2C} < 2.7 V$
Low-level output current	I_{OL}	3 2	–	–	mA	$V_{OL} = 0.4 V$; $V_{CC_I2C} \geq 2.7 V$ $V_{OL} = 0.4 V$; $V_{CC_I2C} < 2.7 V$
Output fall time from V_{IHmin} to V_{ILmax} (at device pin)	t_{OF}	$20 * V_{CC_I2C} / 5.5 V^1$	–	250	ns	$C_b \leq 400 pF$; $V_{CC_I2C} \geq 2.7 V$ $C_b \leq 200 pF$; $V_{CC_I2C} < 2.7 V$
Capacitive load for each bus line	C_b	15^2	–	400 200	pF	$V_{CC_I2C} \geq 2.7 V$ $V_{CC_I2C} < 2.7 V$

1) A min. capacitive load is necessary to reach t_{OF}

2) A min. capacitive load is necessary to reach t_{fmin}

5.1.2 I2C Fast Mode Plus Interface Characteristics

For operation of the I2C interface, the electrical characteristics are compliant with the I²C bus specification Rev. 4 for "fast mode plus" (f_{SCL} up to 1 MHz), with certain deviations as stated in the table below.

Note: T_A as given for the operating temperature range of the controller unless otherwise stated.

Table 8 I2C Fast Mode Plus Interface Characteristics

Parameter	Symbol	Values			Unit	Note or Test Condition
		Min.	Typ.	Max.		
SCL clock frequency	f_{SCL}	0	–	1000	kHz	
Input low-level	V_{IL}	-0.3	–	$0.3 * V_{CC_I2C}$	V	
Low-level output voltage	V_{OL1}	0	–	0.4	V	Sink current 3 mA; $V_{CC_I2C} \geq 2.7 V$ Sink current 2 mA; $V_{CC_I2C} < 2.7 V$
Low-level output current	I_{OL}	3 2	–	–	mA	$V_{OL} = 0.4 V$; $V_{CC_I2C} \geq 2.7 V$ $V_{OL} = 0.4 V$; $V_{CC_I2C} < 2.7 V$
Output fall time from V_{IHmin} to V_{ILmax} (at device pin)	t_{OF}	$20 * V_{CC_I2C} / 5.5 V^1$	–	120	ns	$C_b \leq 150 pF$

Technical Data

Parameter	Symbol	Values			Unit	Note or Test Condition
		Min.	Typ.	Max.		
Capacitive load for each bus line	C_b	15 ¹	–	150	pF	

1) A min. capacitive load is necessary to reach t_{OF}

5.1.3 Electrical Characteristics

Note: T_A as given for the operating temperature range of the controller unless otherwise stated. All currents flowing into the controller are considered positive.

5.1.4 DC Electrical Characteristics

T_A as given for the controller's operating ambient temperature range unless otherwise stated.

All currents flowing into the controller are considered positive.

Table 9 Electrical Characteristics

Parameter	Symbol	Values			Unit	Note or Test Condition
		Min.	Typ.	Max.		
Supply voltage	V_{CC}	1.62	–	5.5	V	Overall functional range
	V_{CC_I2C}	1.62	–	5.5	V	Supply voltage range for operation of I2C
Supply current ¹	I_{CCAVG}	–	20.0	–	mA	While running a typical authentication profile $T_A = 25^\circ\text{C}$; $V_{CC} = 5.0\text{ V}$
Supply current, in <i>sleep mode</i>	I_{CCS3}	–	70	100	μA	$T_A = 25^\circ\text{C}$; $V_{CC_I2C} = 3.3\text{ V}$; I2C ready for operation (no bus activity), all other inputs at V_{CC} , no other interface activity
RST input low voltage	V_{IL}	–0.3	–	$0.2 * V_{CC}$	V	$I_{IL} = -50\ \mu\text{A}$ to $+20\ \mu\text{A}$
RST input high voltage	V_{IH}	$0.7 * V_{CC}$	–	$V_{CC} + 0.3$	V	$I_{IL} = -50\ \mu\text{A}$ to $+20\ \mu\text{A}$

1) Supply current can be limited from 6mA to 15mA by software commands.

5.1.5 AC Electrical Characteristics

T_A as given for the controller's operating ambient temperature range unless otherwise stated.

All currents flowing into the controller are considered positive.

Table 10 AC Characteristics

Parameter	Symbol	Values			Unit	Note or Test Condition
		Min.	Typ.	Max.		
V_{CC} rampup time	t_{VCCR}	1	–	1000	μs	400 mV to 90% of V_{CC} target voltage ramp

The V_{CC} ramp is depicted in Figure 7. 90% of the target supply voltage must be reached within t_{VCCR} after it has exceeded 400 mV. Moreover, its variation must be kept within a $\pm 10\%$ range.

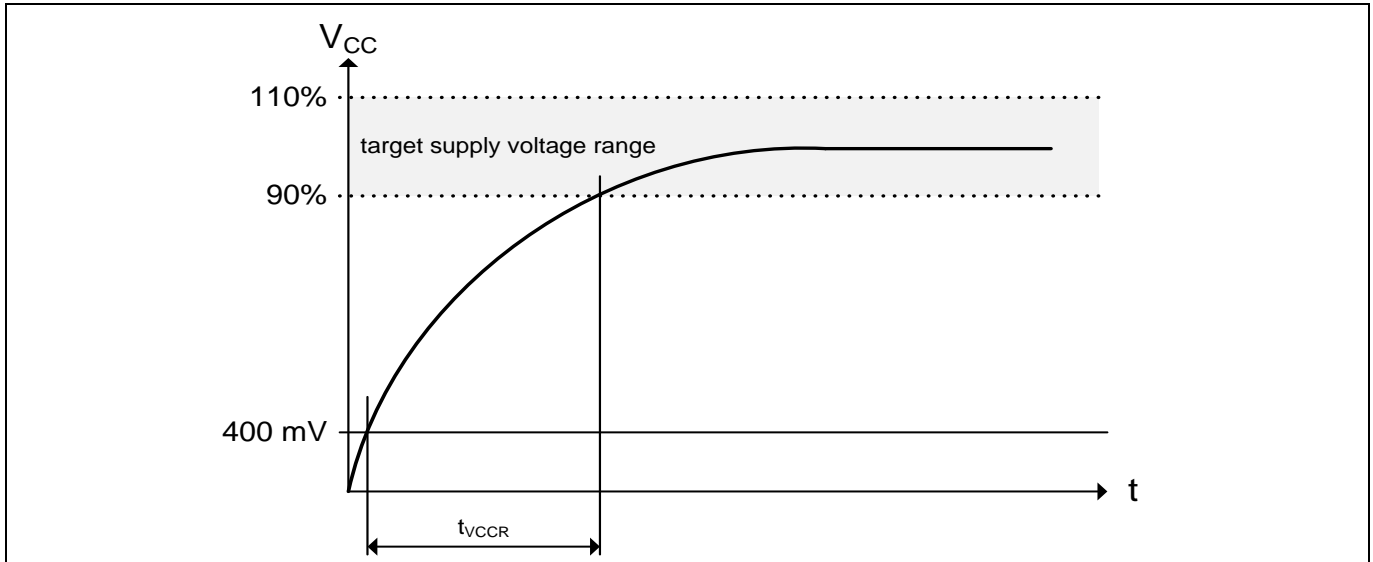


Figure 7 V_{CC} Rampup

5.1.6 Start-Up of I2C Interface

There are 2 variants possible for performing the startup procedure:

- Startup after power-on
- Startup for warm resets

5.1.6.1 Startup after Power-On

The activation of the I2C interface after power-on needs the following reset procedure.

- VCC is powered up and the state of the SDA and SCL line are set to high level during power-up
- The first transmission may start at the earliest $t_{STARTUP}$ after power-up of the device

The following figure shows the startup timing of the I2C interface for this case.

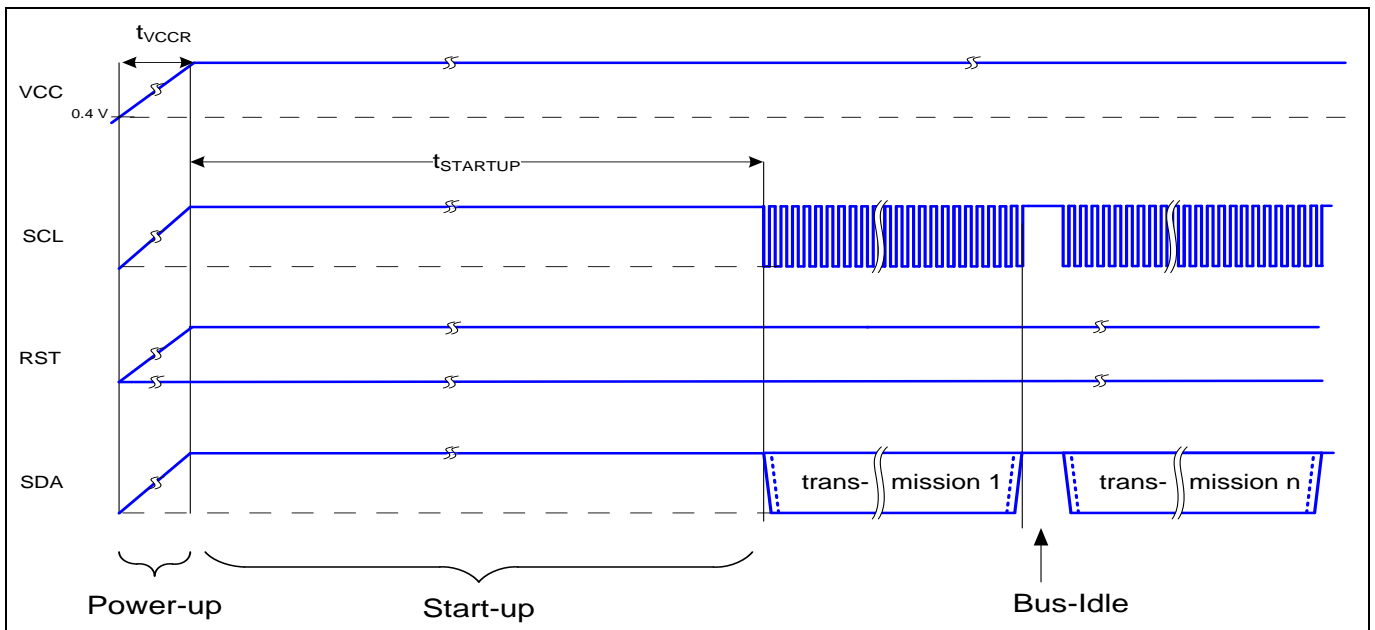


Figure 8 Startup of I2C Interface after Power-On

Table 11 Startup of I2C Interface After Power-On

Parameter	Symbol	Values			Unit	Note or Test Condition
		Min.	Typ.	Max.		
Startup time	$t_{STARTUP}$	10			ms	

5.1.6.2 Startup for Warm Resets

When using the reset signal for triggering a warm reset after power-on, the activation of the I2C interface needs the following reset procedure

- VCC remains powered up.
- The terminal stops I2C communication. SDA and SCL lines are set to high level before RST is set to low level.
- After its falling edge, RST has to be kept at low level for at least t_1 . At the latest t_2 after the falling edge of RST, the terminal must set RST to high level.
- The first transmission may start at the earliest $t_{STARTUP}$ after the rising edge of RST

The following figure shows the timing for this startup case.

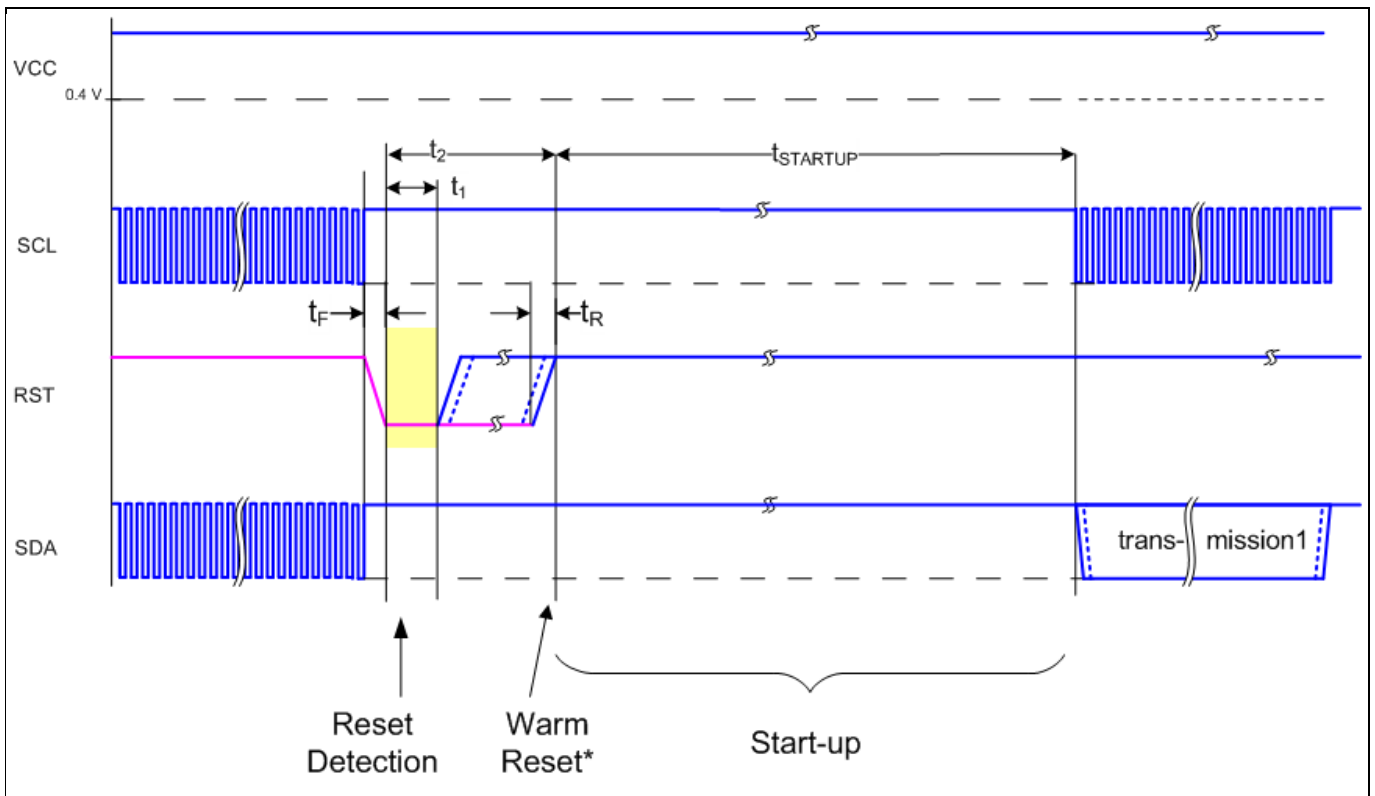


Figure 9 Startup of I2C Interface for Warm Resets

Note: If NVM programming was requested prior to the reset, $t_{STARTUP}$ will be extended from a typical value of 10 ms to a maximum of 12 ms.

Table 12 Startup of I2C Interface for Warm Resets¹

Parameter	Symbol	Values			Unit	Note or Test Condition
		Min.	Typ.	Max.		
Startup time	$t_{STARTUP}$	10			ms	
Rise time	t_R			1	μs	From 10% to 90% of signal amplitude
Fall time	t_F			1	μs	From 10% to 90% of signal amplitude
Reset detection	t_1	10			μs	
Reset low		10		2500	μs	

1) Reset triggered by software (without power off/on cycle)

6 Connecting to Host

6.1 OPTIGA™ Trust X Host Software Architecture

In [Figure 1](#) the System Block Diagram was explained which covered the OPTIGA™ Trust X Host Library layers. In following sections, we will cover how to communicate with OPTIGA™ Trust X using I2C.

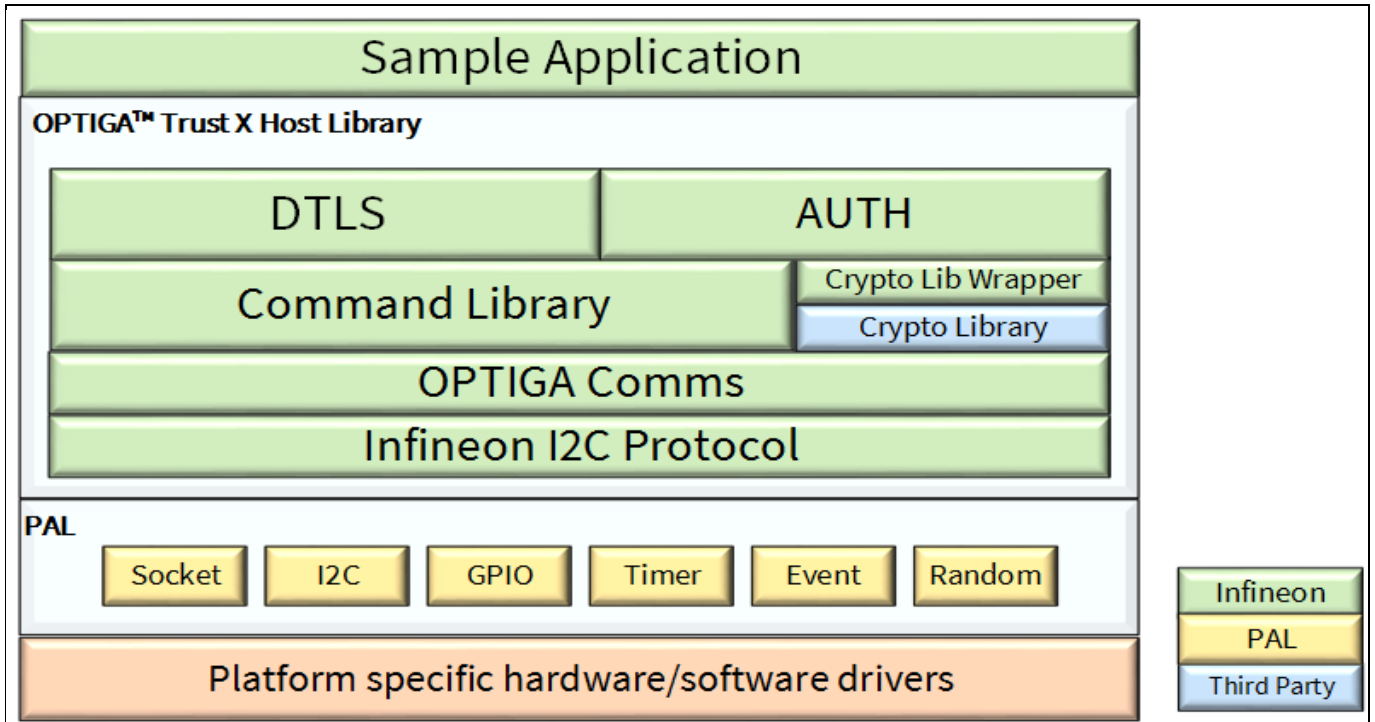


Figure 10 OPTIGA™ Trust X Host Software Architecture

6.2 Release Package Folder Structure

The following figure shows the release package structure when OPTIGA™ Trust X is installed/extracted on PC.

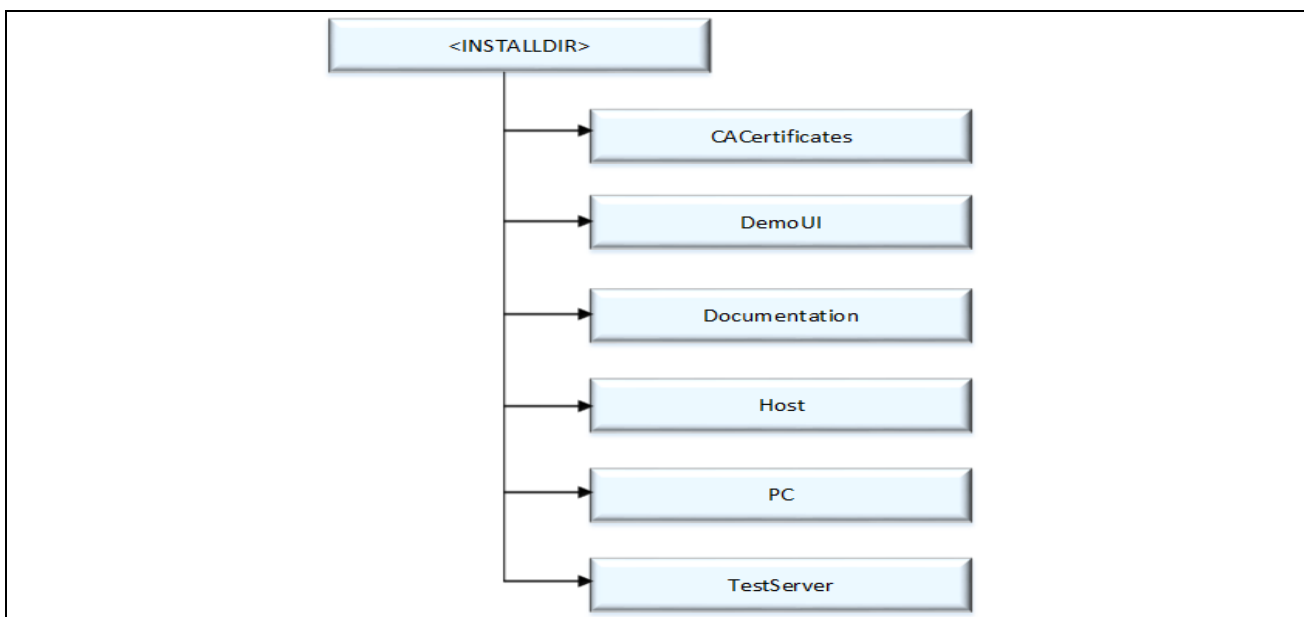


Figure 11 Release Package Folder Structure

Connecting to Host

1. <INSTALLDIR> is the root directory to which the release contents are installed or extracted. The content of each subdirectory under installed directory <INSTALLDIR> is explained below.
2. CACertificates
This directory contains OPTIGA™ Trust X Test and Productive Trust-Anchor/CA certificates.
3. DemoUI
This directory contains binaries and Demo UI Application for OPTIGA™ Trust X.
4. Documentation
This directory contains all common OPTIGA™ Trust X documentation.
5. Host
This directory contains source files, header files, binaries, documents, API as compiled help (CHM) and sample application for OPTIGA™ Trust X Host Software.
6. PC
This directory contains source files, header files, binaries and sample application for OPTIGA™ Trust X PC Software.
7. TestServer
This directory contains Sample Test Server Application and Test certificates required for DTLS client feature demonstration

6.3 Host Software Folder Structure

The following figure shows the Host Software folder structure when OPTIGA™ Trust X is installed on PC.

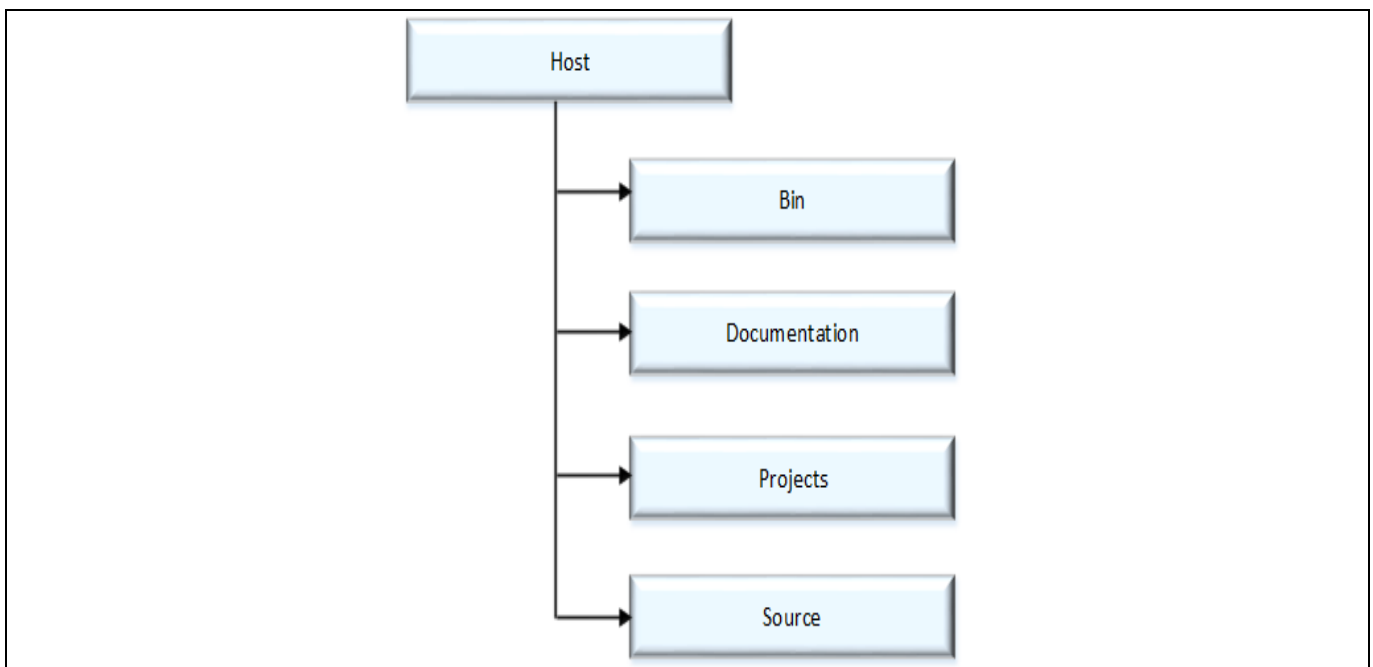


Figure 12 Host Software Folder Structure

1. Bin

This directory contains prebuilt binaries for Eval Kit based on XMC4500 Relax Kit v1 that communicates with OPTIGA™ Trust X.

2. Documentation

Connecting to Host

This directory contains documentation outlining software for Eval Kit based on XMC4500 Relax Kit v1.

3. Projects

This directory contains project files for Eval Kit based on XMC4500 Relax Kit v1.

4. Source

This directory contains all source files for OPTIGA™ Trust X Host Software Library.

Further the following figure elaborates the Host Software source folder structure.

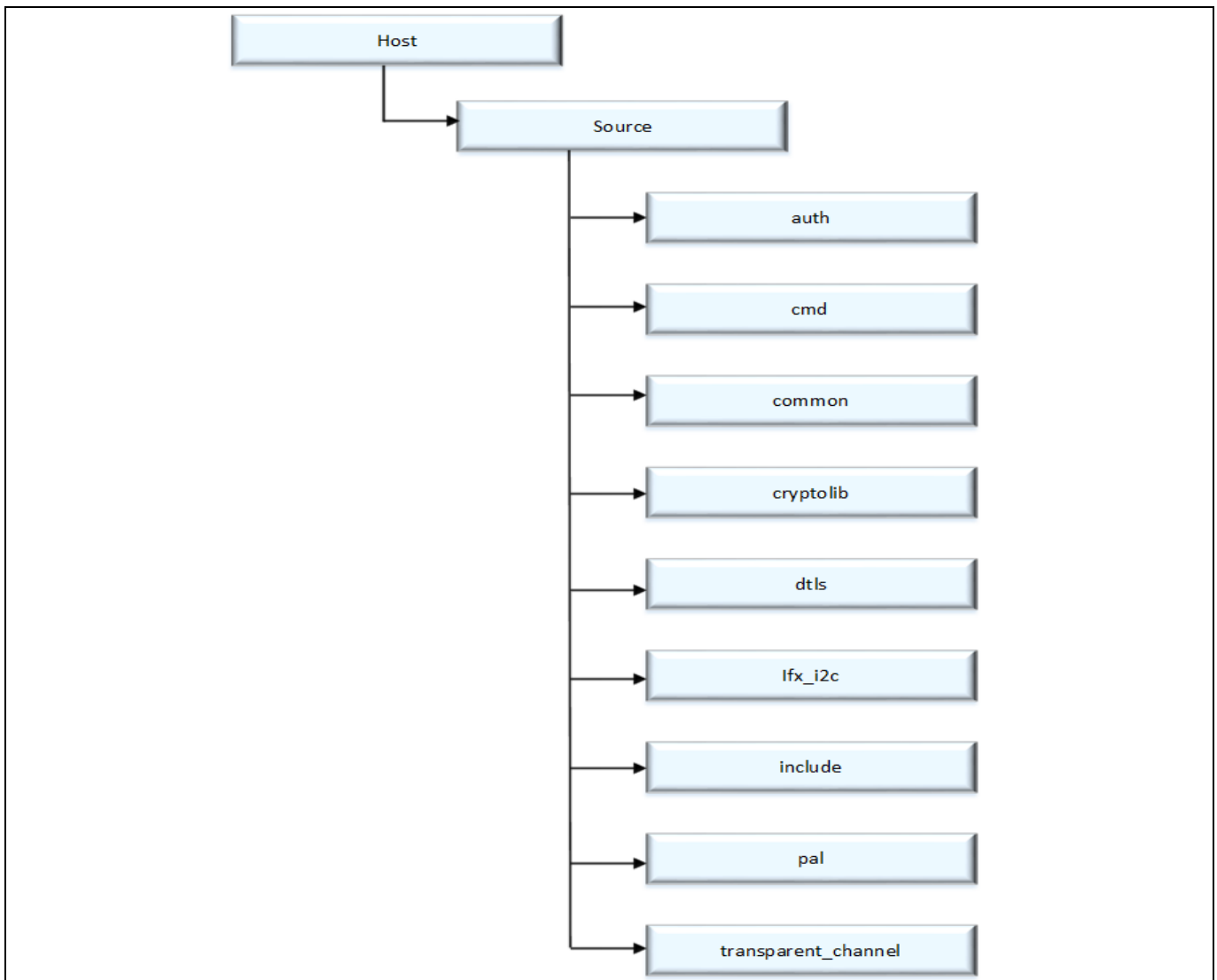


Figure 13 Host Source Folder Structure

1. auth – This folder contains sources for One Way Authentication which are platform independent. The layer is also known as Integration Library.
2. cmd – This folder contains sources for all OPTIGA™ Trust X commands which are platform independent.
3. common – This folder contains sources that are common for all functionality (e.g. utilities).
4. cryptolib – This folder contains binaries for crypto library wrapper which is platform independent.
5. dtls – This folder contains sources for Mutual Authentication and Encrypted Communication using DTLS client, which are platform independent. The layer is also known as OCP Library.
6. ifx_i2c – This folder contains sources for Infineon protocol over I2C (aka IFX I2C).

Connecting to Host

7. include – This folder contains header files for all Host Software.
8. pal – This folder contains all the platform dependent code.
9. transparent_channel – This folder contains transparent channel communication mainly used for Eval Kit.

6.4 Porting Notes

The Platform Abstraction Layer (PAL) APIs have to be updated to integrate the OPTIGA™ Trust X host libraries in the local host target platform.

The PAL reference code for the XMC4500 Relax kit is provided as part of package which can be used. The implementation can be referred in “<INSTALLDIR>/Host/Source/pal/xmc4500” and the header files are available in “<INSTALLDIR>/Host/Source/Include” with the required APIs used by upper layers. The header files are platform agnostic and would not require any change.

6.5 Communication with OPTIGA™ Trust X

The hardware/platform resource configuration with respect to I2C master and GPIOs (Vdd and Reset) are to be updated in [pal_ifx_i2c_config.c](#). These configurations are used by the IFX I2C implementation to communicate with OPTIGA™ Trust X.

1. Update I2C master platform specific context[e.g. (void*)&i2c_master_o]

```

001     /**
002     * \brief PAL I2C configuration for OPTIGA
003     */
004     pal_i2c_t optiga_pal_i2c_context_0 =
005     {
006         // Pointer to I2C master platform specific context
007         (void*)&i2c_master_0,
008         // Slave address
009         0x30,
010         // Upper layer context
011         NULL,
012         // Callback event handler
013         NULL
014     };

```

2. Update platform specific context for GPIOs (Vdd and Reset) [e.g. (void*)&pin_3_4]

```

001     /**
002     * \brief Vdd pin configuration for OPTIGA
003     */
004     pal_gpio_t optiga_vdd_0 =
005     {
006         // Platform specific GPIO context for the pin used to toggle Vdd
007         (void*)&pin_3_4
008     };
009
010     /**
011     * \brief Reset pin configuration for OPTIGA
012     */
013     pal_gpio_t optiga_reset_0 =
014     {
015         // Platform specific GPIO context for the pin used to toggle Reset
016         (void*)&pin_3_3
017     };

```

3. Update PAL I2C APIs [[pal_i2c.c](#)] to communicate with OPTIGA™ Trust X

Connecting to Host

The `pal_i2c` is expected to provide the APIs for I2C driver initialization, de-initialization, read, write and set bitrate kind of operations

- a) `pal_i2c_init`
- b) `pal_i2c_deinit`
- c) `pal_i2c_read`
- d) `pal_i2c_write`
- e) `pal_i2c_set_bitrate`

In few target platforms, the I2C master driver initialization (`pal_i2c_init`) is done during the platform start up. In such an environment, there is no need to implement `pal_i2c_init` and `pal_i2c_deinit` functions. Otherwise, these (`pal_i2c_init` & `pal_i2c_deinit`) functions must be implemented as per the upper layer expectations based on the need. The details of these expectations are available in the Host library API documentation (chm).

The reference implementation of PAL I2C based on XMC4500 Relax kit does not need to have the platform I2C driver initialization explicitly done as part of `pal_i2c_init` as it is taken care by the DAVE library initialization. Hence `pal_i2c_init` & `pal_i2c_deinit` are not implemented.

In addition to the above specified APIs, the PAL I2C must handle the events from the low level I2C driver and invoke the upper layer handlers registered with PAL I2C context for the respective transaction as shown in the below example.

```

001      //I2C driver callback function when the transmit is completed successfully
002      void i2c_master_end_of_transmit_callback(void)
003      {
004          invoke_upper_layer_callback(gp_pal_i2c_current_ctx,
005                                     (uint8_t) PAL_I2C_EVENT_TX_SUCCESS);
006      }

```

In above example the I2C driver callback, when transmit is successful invokes the handler to inform the result.

4. Update PAL GPIO [`pal_gpio.c`] to power on and reset the OPTIGA™ Trust X
 - a) `pal_gpio_set_high`
 - b) `pal_gpio_set_low`
5. Update PAL Timer [`pal_os_timer.c`] to enable timer
 - a) `pal_os_timer_get_time_in_milliseconds`
 - b) `pal_os_timer_delay_in_milliseconds`
6. Update Event management for the asynchronous interactions for I2C [`pal_os_event.c`]
 - a) `pal_os_event_register_callback_oneshot`
 - b) `scheduler_timer_isr`

The `pal_os_event_register_callback_oneshot` function is expected to register the handler and context provided as part of input parameters and triggers the timer for the requested time.

```

001      void pal_os_event_register_callback_oneshot(
002          register_callback callback,
003          void* callback_args,
004          uint32_t time_us)
005      {
006          callback_registered = callback;
007          callback_ctx = callback_args;
008
009          //lint --e{534} suppress "Return value is not required to be checked"
010          TIMER_SetTimeInterval(&scheduler_timer , (time_us*100));
011

```

Connecting to Host

```
012     TIMER_Start(&scheduler_timer);
013 }
```

And the handler registered must be invoked once the timer is elapsed as shown in [scheduler_timer_isr](#)

```
001 void scheduler_timer_isr(void)
002 {
003     TIMER_ClearEvent(&scheduler_timer);
004     //lint --e{534} suppress "Return value is not required to be checked"
005     TIMER_Stop(&scheduler_timer);
006     TIMER_Clear(&scheduler_timer);
007
008     if (callback_registered)
009     {
010         callback_registered((void*)callback_ctx);
011     }
012 }
```

6.6 Reference code on XMC4500 for communicating with OPTIGA™ Trust X

```
001 static volatile uint32_t optiga_pal_event_status;
002 extern void ifx_i2c_pl_pal_event_handler(
003     void *p_ctx, uint8_t event);
004 void optiga_pal_i2c_event_handler (
005     void* upper_layer_ctx,
006     uint8_t event);
007
008 pal_i2c_t optiga_pal_i2c_context_0 =
009 {
010     /// Pointer to I2C master context
011     (void*)&i2c_master_0,
012     /// Slave address
013     0x30,
014     /// Upper layer context
015     NULL,
016     /// Callback event handler
017     pal_i2c_slave_1_event_handler
018 };
019
020 // Pal optiga slave 1 event handler
021 void optiga_pal_i2c_event_handler(
022     void* upper_layer_ctx,
023     uint8_t event)
024 {
025     optiga_pal_event_status = event;
026 }
027
028 /* Function to verify I2C communication*/
029 pal_status_t test_optiga_communication(void)
030 {
031     pal_status_t pal_return_status;
032     uint8_t data_buffer[10] = {0x82};
033     uint16_t data_length =1;
034
035     // Set callback handler for i2c
036     optiga_pal_i2c_context_0.upper_layer_event_handler
```

Connecting to Host

```

037         = optiga_pal_i2c_event_handler;
038
039     // Send 0x82 command to slave to check the state
040     optiga_pal_event_status = PAL_I2C_EVENT_BUSY;
041
042     do
043     {
044         pal_return_status =
045             pal_i2c_write(&optiga_pal_i2c_context_0,
046                         data_buffer, data_length);
047         if (pal_return_status == PAL_STATUS_FAILURE)
048         {
049             break;
050         }
051
052         // Wait until slave completes write operation
053     } while (optiga_pal_event_status !=
054             PAL_I2C_EVENT_TX_SUCCESS);
055
056     optiga_pal_event_status = PAL_I2C_EVENT_BUSY;
057
058     data_length = 4;
059     // Read the response for 0x82 command
060     do
061     {
062         pal_return_status =
063             pal_i2c_read(&optiga_pal_i2c_context_0 ,
064                        data_buffer ,
065                        data_length);
066         if (pal_return_status == PAL_STATUS_FAILURE)
067         {
068             break;
069         }
070         // Wait until slave completes read operation
071     } while (optiga_pal_event_status !=
072             PAL_I2C_EVENT_RX_SUCCESS);
073
074     return pal_return_status;
075 }
076
077
078
079     /*****
080     * Main Function
081     *****/
082
083     /**
084     * This function is the entry point of sample.
085     *
086     * \retval
087     * 0 on success
088     * 1 on failure
089     */
090     int32_t main(Void)
091     {
092         DAVE_STATUS_t status;

```

Connecting to Host

```
093     pal_status_t pal_return_status;
094
095     // Initialize your host code here (e.g. timers etc)
096     // Initialisation of DAVE Apps for XMC4500
097     status = DAVE_Init();
098
099     // Stop if DAVE init fails
100     if (status == DAVE_STATUS_FAILURE)
101     {
102         while (1U)
103             {;}
104     }
105
106     pal_return_status = test_optiga_communication();
107
108     return pal_return_status;
109 }
```

7 OPTIGA™ Trust X Commands

This section provides short description of OPTIGA™ Trust X commands and mapping of these commands w.r.t Use Cases.

Table 13 OPTIGA™ Trust X command table

Command Name	Description
GetDataObject	Command to get (read) a data object
SetDataObject	Command to set (write) a data object
GetRandom	Command to generate a random stream
SetAuthScheme	Command to set the authentication scheme which gets used subsequently
GetAuthMsg	Command to get (receive from OPTIGA™ Trust X) an authentication message
SetAuthMsg	Command to set (send to OPTIGA™ Trust X) an authentication message
ProcUpLinkMsg	Command to process an up-link message for DTLS (receive from OPTIGA™ Trust X)
ProcDownLinkMsg	Command to process a down-link message for DTLS (send to OPTIGA™ Trust X)
CalcHash	Command to calculate a Hash
CalcSign	Command to calculate a signature
VerifySign	Command to verify a signature
CalcSSec	Command to execute a Diffie-Hellmann key agreement
DeriveKey	Command to derive keys
GenKeyPair	Command to generate public/private key pairs
OpenApplication	Command to launch an application

Table 14 Mapping of OPTIGA™ Trust X command with Use cases

Use Case	OPTIGA™ Trust X commands used
Mutual Authentication using DTLS	SetAuthScheme, ProcUpLinkMsg & ProcDownLinkMsg
One Way Authentication	GetRandom, GetDataObject, SetAuthScheme, SetAuthMsg & GetAuthMsg
Crypto Toolbox	GetRandom, SetAuthScheme, SetAuthMsg, GetAuthMsg, CalcHash, CalcSign, VerifySign, CalcSSec, DeriveKey, GenKeyPair
Read General Purpose Data	GetDataObject
Write General Purpose Data	SetDataObject

8 Security Monitor

The Security Monitor is a central component which enforces the security policy of the OPTIGA™ Trust X. It consumes security events sent by security aware parts of the OPTIGA™ Trust X embedded SW and takes actions accordingly

8.1 Security Events

The following table provides the definition of not permitted security events considered by the OPTIGA™ Trust X implementation.

Table 15 Security Events

Event	Description
Decryption Failure	This event occurs in case a decryption and/ or integrity check of provided data lead to an integrity failure.
Private Key Use	This event occurs in case the internal services are going to use an OPTIGA™ Trust X hosted private key.
Suspect System Behavior	This event occurs in case the embedded software detects inconsistencies with the expected behavior of the system. Those inconsistencies might be redundant information which doesn't fit to their counterpart.

8.2 Security Policy

Security Monitor judges the notified security events regarding the number of occurrence over time and in case those violate the permitted usage profile of the system takes actions to throttle down the performance and thus the possible frequency of attacks.

The permitted usage profile is defined as:

1. One protected operation (refer to [Table 15](#)) events per t_{max} period.
2. A Suspect System Behavior event is never permitted and will cause setting the SEC to its maximum.
3. t_{max} is set to 5 seconds ($\pm 5\%$).

With other words it must not allow more than one out of the protected operations per t_{max} period (worst case, ref to bullet 1. above). This condition must be stable, at least after 500 uninterrupted executions of protected operations.

For more information, please refer to Solution Reference Manual document available as part of the package.

9 RoHS Compliance

On January 27, 2003 the European Parliament and the council adopted the directives:

- 2002/95/EC on the Restriction of the use of certain Hazardous Substances in electrical and electronic equipment ("RoHS")
- 2002/96/EC on Waste Electrical and Electrical and Electronic Equipment ("WEEE")

Some of these restricted (lead) or recycling-relevant (brominated flame retardants) substances are currently found in the terminations (e.g. lead finish, bumps, balls) and substrate materials or mold compounds.

The European Union has finalized the Directives. It is the member states' task to convert these Directives into national laws. Most national laws are available, some member states have extended timelines for implementation. The laws arising from these Directives have come into force in 2006 or 2007.

The electro and electronic industry has to eliminate lead and other hazardous materials from their products. In addition, discussions are on-going with regard to the separate recycling of certain materials, e.g. plastic containing brominated flame retardants.

Infineon Technologies is fully committed to giving its customers maximum support in their efforts to convert to lead-free and halogen-free¹ products. For this reason, Infineon Technologies' "Green Products" are ROHS-compliant.

Since all hazardous substances have been removed, Infineon Technologies calls its lead-free and halogen-free semiconductor packages "green." Details on Infineon Technologies' definition and upper limits for the restricted materials can be found here.

The assembly process of our high-technology semiconductor chips is an integral part of our quality strategy. Accordingly, we will accurately evaluate and test alternative materials in order to replace lead and halogen so that we end up with the same or higher quality standards for our products.

The use of lead-free solders for board assembly results in higher process temperatures and increased requirements for the heat resistivity of semiconductor packages. This issue is addressed by Infineon Technologies by a new classification of the Moisture Sensitivity Level (MSL). In a first step the existing products have been classified according to the new requirements.



¹Any material used by Infineon Technologies is PBB and PBDE-free. Plastic containing brominated flame retardants, as mentioned in the WEEE directive, will be replaced if technically/economically beneficial.

10 Appendix A – Infineon I2C Protocol Registry Map

OPTIGA™ Trust X supports IFX I2C v1.65 and is implemented as I2C slave, which uses different address locations for status, control and data communication registers. These registers with description are outlined below in the following table.

Table 16 IFX I2C Registry Map Table

Register Address	Name	Size in Bytes	Description	Master Access
0x80	DATA	DATA_REG_LEN	This is the location where data shall be read from or written to the I2C slave	Read / Write
0x81	DATA_REG_LEN	2	This register holds the maximum data register (Addr 0x80) length. The allowed values are 0x0010 up to 0xFFFF. After writing the new data register length it becomes effective with the next I2C master access. However, in case the slave could not accept the new length it indicates its maximum possible length within this register. Therefore it is recommended to read the value back after writing it to be sure the I2C slave did accept the new value. Note: the value of MAX_PACKET_SIZE is derived from this value or vice versa (MAX_PACKET_SIZE= DATA_REG_LEN-5)	Read / Write
0x82	I2C_STATE	4	Bits 31:24 of this register provides the I2C state in regards to the supported features (e.g. clock stretching ...) and whether the device is busy executing a command and/or ready to return a response etc. Bits 15:0 defining the length of the response data block at the physical layer.	Read only
0x83	BASE_ADDR	2	This register holds the I2C base address as specified by Table 17 . If not differently defined by a particular project the default value at reset is 0x20. After writing a different address the new address become effective with the next I2C master access. In case the bit 15 is set in addition to the new address (bit 6:0) it becomes the new default address at reset (persistent storage).	Write only
0x84	MAX_SCL_FREQ	4	This register holds the maximum clock frequency in KHz supported by the I2C slave. The value gets adjusted to the register I2C_Mode setting. Fast Mode (Fm): The allowed values are 50 up to 400. Fast Mode (Fm+): The allowed values are 50 up to 1000.	Read
0x85	GUARD_TIME ¹	4	For details refer to Table 20	Read only
0x86	TRANS_TIMEOUT ¹	4	For details refer to Table 20	Read only

¹ In case the register returns 0xFFFFFFFF the register is not supported and the default values specified in Table 'List of protocol variations' shall be applied.

Appendix A – Infineon I2C Protocol Registry Map

Register Address	Name	Size in Bytes	Description	Master Access
0x88	SOFT_RESET	2	Writing to this register will cause a device reset. This feature is optional	Write only
0x89	I2C_MODE	2	This register holds the current I2C Mode as defined by Table 18. The default mode is SM & FM (011B).	Read / Write

Table 17 Definition of BASE_ADDR

Fields	Bits	Value	Description
DEF_ADDR	15	0 1	Volatile address setting by bit 6:0, lost after reset. Persistent address setting by bit 6:0, becoming default after reset.
BASE_ADDR	6:0	0x00-0x7F	I2C base address specified by Table 16

15	14	13	12	11	10	9	8
DEF_ADDR	RFU						
7	6	5	4	3	2	1	0
RFU	BASE_ADDR						

15	14	13	12	11	10	9	8
DEF_MODE	RFU						
7	6	5	4	3	2	1	0
RFU					Mode		

Table 18 Definition of I2C_MODE

Fields	Bits	Value	Description
DEF_MODE	15	0 1	Volatile mode setting by bit 2:0, lost after reset. Persistent mode setting by bit 2:0, becoming default after reset. This bit is always read as 0.
MODE ²	2:0	001 010 011 100 other values	Sm Fm SM & Fm (fab out default) Fm+ not valid; writing will be ignored

¹ In case the register returns 0xFFFFFFFF the register and its functionality is not supported

² This mode defines the adherence of the bus signals to the electrical characteristics according standard I2C bus specification

Appendix A – Infineon I2C Protocol Registry Map

31	30	29	28	27	26	25	24
BUSY	RESP_RDY	RFU		SOFT_RESET	CONT_READ	REP_START	CLK_STRETCHING
23	22	21	20	19	18	17	16
RFU							
15-0							
Length of data block to be read							

Table 19 Definition of I2C_STATE

Field	Bit(s)	Value	Description
BUSY	31	0	Device is not busy
		1	Device is busy executing a command
RESP_RDY	30	0	Device is not ready to return a response
		1	Device is ready to return a response
SOFT_RESET	27	0	SOFT_RESET not supported
		1	SOFT_RESET supported
CONT_READ	26	0	Continue Read not supported
		1	Continue Read supported
REP_START	25	0	Repeated start not supported
		1	Repeated start supported
CLK_STRETCHING	24	0	Clock stretching not supported
		1	Clock stretching supported

10.1 IFX I2C Protocol Variations

To fit best to application specific requirements the protocol might be tailored by specifying a couple of parameters which is described in the following table.

Table 20 List of Protocol Variations

Parameter	Default Value	Description
MAX_PACKET_SIZE	0x110	Maximum packet size accepted by the receiver. The protocol limits this value to 0xFFFF, but there might be project specific requirements to reduce the transport buffers size for the sake of less RAM footprint in the communication stack. If shortened, it could be statically defined or negotiated at the physical layer.
WIN_SIZE	1	Window size of the sliding windows algorithm. The value could be 1 up to 2.
MAX_NET_CHAN	1	Maximum number of network channels. The value could be 1 up to 16. One indicates the OSI Layer 3 is not used and the CHAN field of the PCTR must be set to 0000.
CHAINING	TRUE	Chaining on the transport layer is supported (TRUE) or not (FALSE)
TRANS_TIMEOUT	10 ms	(Re) transmission timeout specifies the number of milliseconds to be elapsed until the transmitter considers a frame transmission is lost and retransmits the non-acknowledged frame. The Timer gets started as soon as the complete frame is

Appendix A – Infineon I2C Protocol Registry Map

Parameter	Default Value	Description
		transmitted. The value could be 1 up to 1000. However, as higher the number as longer does it take to recover from a frame transmission error. <i>Note: The acknowledge timeout on the receiver side must be shorter than the retransmission timeout to avoid unnecessary frame repetitions.</i>
TRANS_REPEAT	3	Number of transmissions to be repeated until the transmitter considers the connection is lost and starts a re-synchronization with the receiver. The value could be 1 up to 4.
BASE_ADDR	0x30	I2C (base) address. This address could be statically defined or dynamically negotiated by the physical layer. If not different specified the default value is 0x30.
MAX_SCL_FREQU	1000 kHz	Maximum SCL clock frequency in kHz.
GUARD_TIME	50 µs	Minimum time to be elapsed at the I2C master measured from read data (STOP condition) until the next write data (Start condition) is allowed to happen. <i>Note 1: For two consecutive accesses on the same device GUARD_TIME re-specifies the value of t_{BUF} as specified by [I2Cbus].</i> <i>Note 2: Even if another I2C address is accessed in between GUARD_TIME has to be respected for two consecutive accesses on the same device.</i>
SOFT_RESET		Any write attempt to the SOFT_RESET register will trigger a warm reset (reset w/o power cycle). This register is optional and its presence is indicated by the I2C_STATE register's "SOFT_RESET" flag.

11 Appendix B – Power Management

When operating, the power consumption of OPTIGA™ Trust X is limited to meet the requirements regarding the power limitation set by the Host. The power limitation is implemented by utilizing the current limitation feature of the underlying hardware device in steps of 1mA from 6mA to 15 mA with a precision of ±5%.

11.1 Low Power Sleep Mode

The OPTIGA™ Trust X automatically enters a low-power mode after a configurable delay. Once it has entered Sleep mode, the OPTIGA™ Trust X resumes normal operation as soon as its address is detected on the I2C bus. In case no command is sent to the OPTIGA™ Trust X it behaves as shown in Figure 14.

1. As soon as the OPTIGA™ Trust X is idle it starts to count down the “delay to sleep” time (t_{SDY}).
2. In case this time elapses the device enters the “go to sleep” procedure.
3. The “go to sleep” procedure waits until all idle tasks are finished (e.g. counting down the SEC). In case all idle tasks are finished and no command is pending, the OPTIGA™ Trust X enters sleep mode.

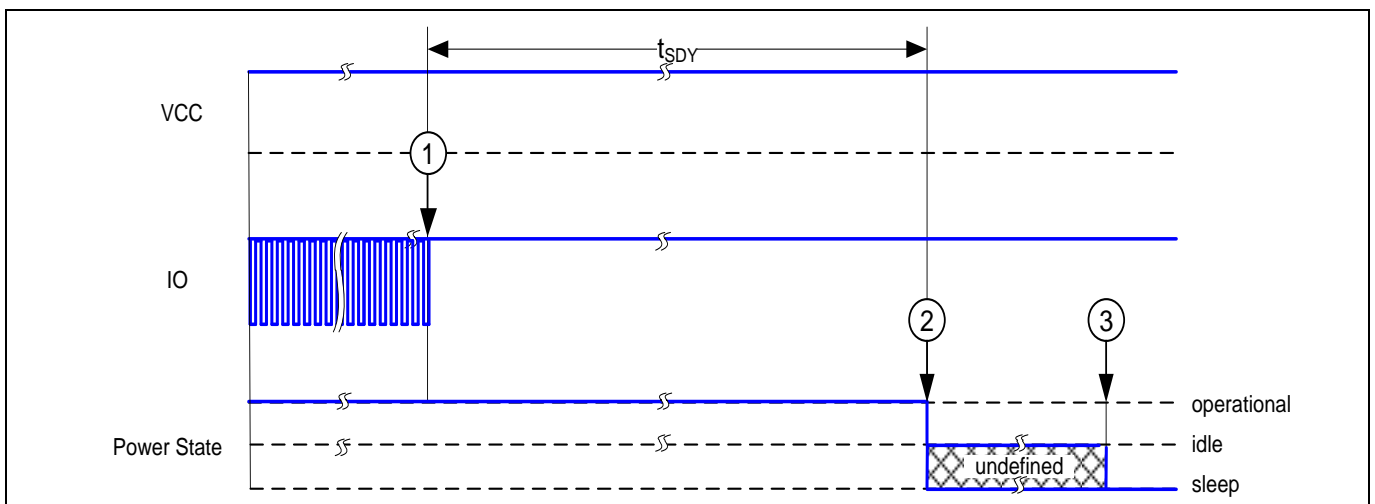


Figure 14 Go-to-Sleep Diagram

Revision history

Document version	Date of release	Description of changes
2.6	08.02.2019	Updated PG-USON10-2 foot print
2.5	31.01.2018	Feedback incorporation from all internal regions
2.4	11.01.2018	Feedback incorporation from all internal regions
2.3	01.01.2018	Feedback incorporation from all internal regions
2.2	12.12.2017	Feedback from all internal regions
2.1	23.06.2017	Updated Key features and Enhanced Security
2.0	08.06.2017	Updated Key features and Enhanced Security
1.4	22.02.2017	First version release
1.3		Internal review
1.2		Internal review
1.1		Internal review
1.0		Internal review

Trademarks

All referenced product or service names and trademarks are the property of their respective owners.

Edition 2019.02.08

Published by

Infineon Technologies AG

81726 Munich, Germany

© 2019 Infineon Technologies AG.

All Rights Reserved.

Do you have a question about this document?

Email:

security.chipcard.ics@infineon.com

Document reference

IMPORTANT NOTICE

The information given in this document shall in no event be regarded as a guarantee of conditions or characteristics ("Beschaffenheitsgarantie").

With respect to any examples, hints or any typical values stated herein and/or any information regarding the application of the product, Infineon Technologies hereby disclaims any and all warranties and liabilities of any kind, including without limitation warranties of non-infringement of intellectual property rights of any third party.

In addition, any information given in this document is subject to customer's compliance with its obligations stated in this document and any applicable legal requirements, norms and standards concerning customer's products and any use of the product of Infineon Technologies in customer's applications.

The data contained in this document is exclusively intended for technically trained staff. It is the responsibility of customer's technical departments to evaluate the suitability of the product for the intended application and the completeness of the product information given in this document with respect to such application.

For further information on the product, technology, delivery terms and conditions and prices please contact your nearest Infineon Technologies office (www.infineon.com).

WARNINGS

Due to technical requirements products may contain dangerous substances. For information on the types in question please contact your nearest Infineon Technologies office.

Except as otherwise explicitly approved by Infineon Technologies in a written document signed by authorized representatives of Infineon Technologies, Infineon Technologies' products may not be used in any applications where a failure of the product or any consequences of the use thereof can reasonably be expected to result in personal injury.

Looking for pricing, stock, or lifecycle information?

Click below to explore more details on WIN SOURCE:

- ⊖ [View SLS32AIA020X4USON10XTMA4 on WIN SOURCE](#)
- ⊖ [Infineon Technologies Information](#)

Optimize Your Supply Chain with WIN SOURCE Solutions

- ✓ Global Sourcing Solution
- ✓ Obsolete Management
- ✓ Cost Control Management
- ✓ Shortage Management
- ✓ Alternative Solution
- ✓ Excess Inventory Management