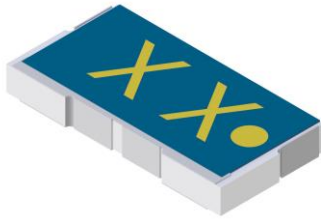




THE DATASHEET OF D10AA20Z4



Surface Mount Attenuator 10 Watts



The D10AAXXZ4 is high performance Alumina (Al_2O_3) surface mount attenuator intended as a lower cost alternative to Aluminum Nitride (AlN) and Beryllium Oxide (BeO). The attenuator is well suited to all cellular frequency bands such as; AMPS, GSM, DCS, PCS, PHS and UMTS. The high power handling makes the part ideal for inter-stage matching, directional couplers, and for use in isolators.

Features:

- RoHS Compliant
- 10 Watts
- Low Cost
- DC – 4.0GHz
- Alumina Ceramic
- Non-Nichrome Resistive Element
- Low VSWR
- 100% Tested

General Specifications

| | |
|------------------------------|-------------------------------------|
| Resistive Element | Thick film |
| Substrate | Alumina Ceramic |
| Terminal Finish | Matte Tin over Sulfamate Nickel |
| Operating Temperature | -55 to +125°C (see de rating chart) |

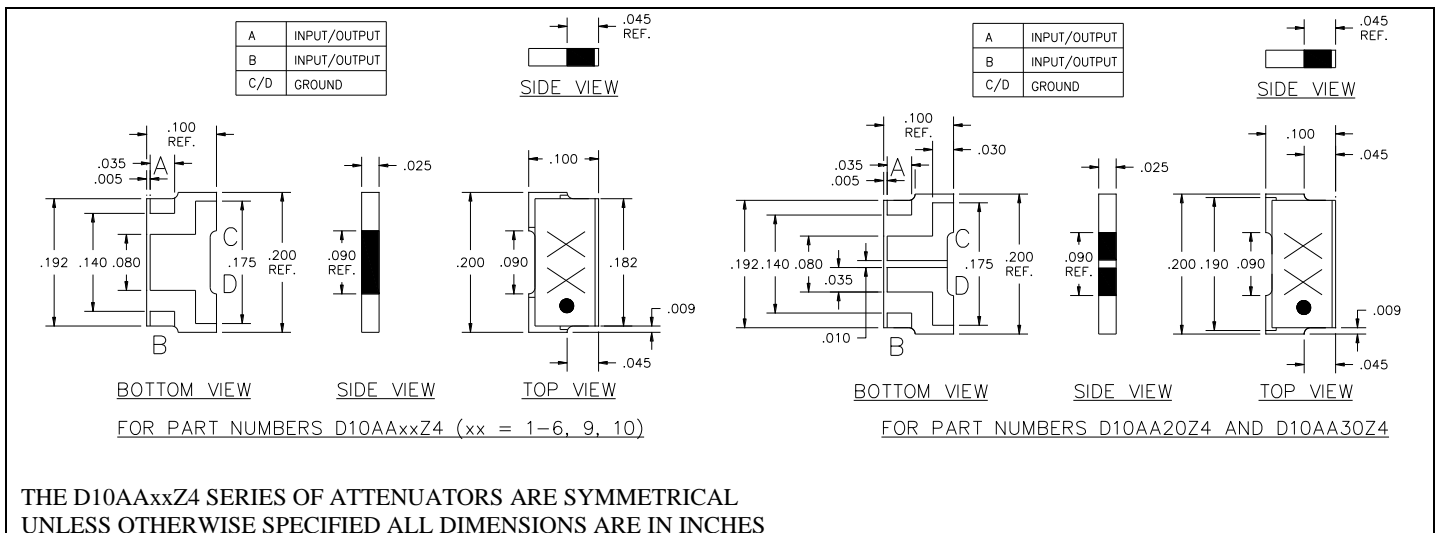
Tolerance is $\pm 0.010"$, unless otherwise specified. Designed to meet or exceed applicable portions of MIL-E-5400. All dimensions in inches.

Electrical Specifications

| | |
|---------------------------|-------------------------|
| Attenuation Value: | 1 – 7, 9, 10, 20 & 30dB |
| Power: | 10 Watts |
| Frequency Range: | DC – 4.0GHz |
| VSWR | See Specification Table |

Specification based on unit properly installed using suggested mounting instructions and a 50 ohm nominal impedance. **Specifications subject to change.**

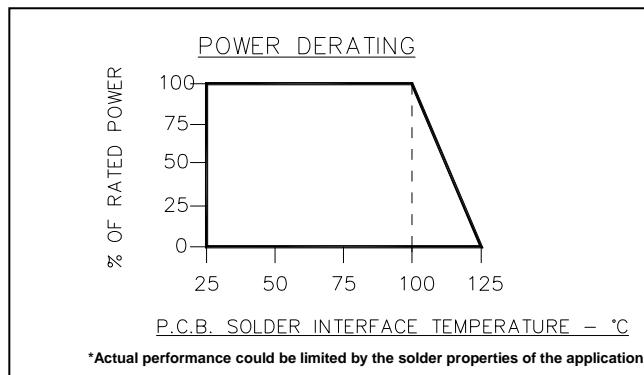
Outline Drawing



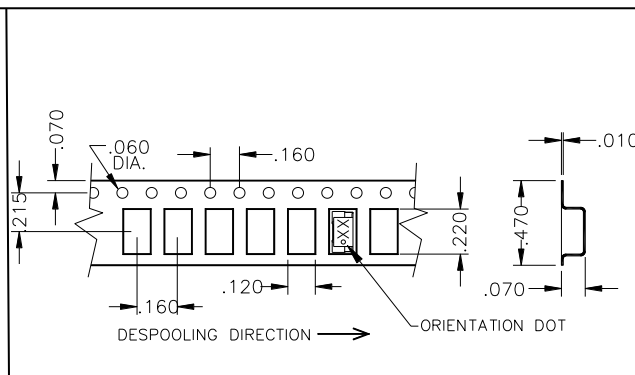
Specifications

| PART NUMBER | Frequency Range DC – 3.0Ghz | | Frequency Range 3.0 – 4.0Ghz | |
|-------------|--------------------------------|---------|---------------------------------|---------|
| | ATTENUATION (dB) | RL (dB) | ATTENUATION (dB) | RL (dB) |
| D10AA1Z4 | 1 ±0.30 | 19 | 1 ±0.30 | 15 |
| D10AA2Z4 | 2 ±0.30 | 19 | 2 ±0.30 | 15 |
| D10AA3Z4 | 3 ±0.30 | 19 | 3 ±0.30 | 15 |
| D10AA4Z4 | 4 ±0.30 | 19 | 4 ±0.40 | 14 |
| D10AA5Z4 | 5 ±0.30 | 19 | 5.1 ±0.35 | 14.75 |
| D10AA6Z4 | 6 ±0.30 | 19 | 6 ±0.30 | 15 |
| D10AA7Z4 | 7 ±0.30 | 19 | 7 ±0.30 | 12 |
| D10AA9Z4 | 9 ±0.25 | 19 | 9 ±0.30 | 12 |
| D10AA10Z4 | 10 ±0.25 | 19 | 10 ±0.35 | 14.75 |
| D10AA20Z4 | 20 ±0.50 | 19 | 19.5 ±0.50 | 14.75 |
| D10AA30Z4 | 30 ±1.50 | 19 | 30.25 ±1.5 | 15 |

Power De-rating



Tape and Reel

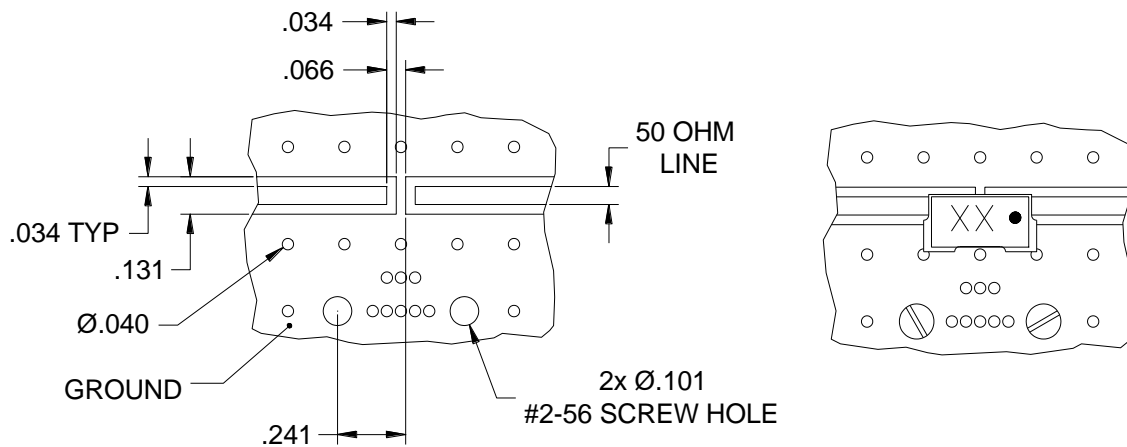


USA/Canada:
Toll Free:
Europe:

(315) 432-8909
(800) 544-2414
+44 2392-232392

Anaren
What'll we think of next?™

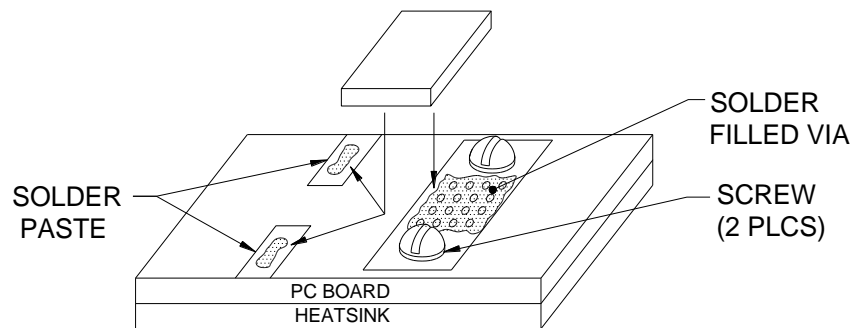
Mounting Footprint



DIMENSIONS GIVEN IN INCHES.

FOR BEST THERMAL PERFORMANCE THE PCS SHOULD BE PLACED WITH THERMAL JOINT COMPOUND TO THE HEAT SINK.

Mounting Procedure



MOUNTING PROCEDURE

1. DRILL THERMAL VIAS THROUGH PCB AND FILL WITH SOLDER, SUCH AS Sn96.
2. SOLDER PART IN PLACE USING Sn96 TYPE SOLDER WITH A CONTROLLED TEMPERATURE IRON (260°C).
3. TO ENSURE GOOD THERMAL CONNECTIVITY TO HEAT SINK, DRILL AND TAP HEATSINK AND MOUNT PCB BOARD TO HEATSINK USING SCREWS.

Looking for pricing, stock, or lifecycle information?

Click below to explore more details on WIN SOURCE:

 [View D10AA20Z4](#) on WIN SOURCE

 [Anaren](#) Information

Optimize Your Supply Chain with WIN SOURCE Solutions

-  Global Sourcing Solution
-  Obsolete Management
-  Cost Control Management
-  Shortage Management
-  Alternative Solution
-  Excess Inventory Management