



**THE DATASHEET OF
SI2404-C-GTR**



V.90, V.34, V.32BIS, V.22BIS ISOMODEM® WITH GLOBAL DAA

Features

- This data sheet applies to Si2457/34/15/04 Revision D
- Data modem formats
 - ITU-T, Bell
 - 300 bps up to 56 kbps
 - V.21, V.22, V.29 Fast Connect
 - V.44, V.42, V.42bis, MNP2-5
 - Automatic rate negotiation
- Type I and II caller ID decode
- No external ROM or RAM required
- UART, SPI, or parallel interface
- Flexible clock options
 - Low-cost 32.768 kHz oscillator
 - 4.915 MHz oscillator
 - 27 MHz clock input
- Integrated DAA
 - Over 6000 V capacitive isolation
 - Parallel phone detect
 - Globally-compliant line interface
 - Overcurrent detection
- AT command set support
- SMS / MMS support
- Firmware upgradeable
- EEPROM interface
- Lead-free, RoHS-compliant packages
- Commercial or industrial temperature range
- DTMF detection/generation

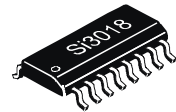
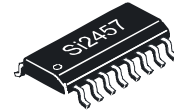
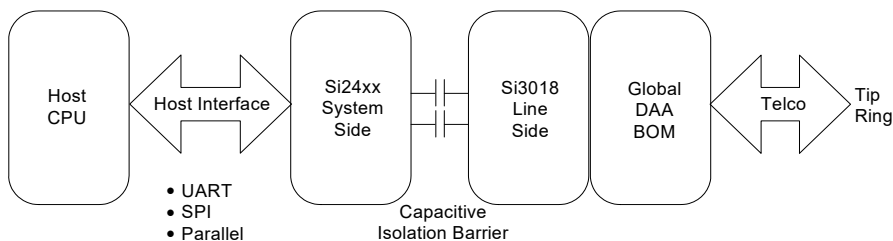
Applications

- Set-top boxes
- Point-of-sale terminals
- Text / video telephones
- Digital video recorder
- Digital televisions
- Remote monitoring

Description

The ISOModem® family of products is a complete modem ranging in speed from 56,000 bps to 2400 bps. Offered as a chipset with the Si2457, Si2434, Si2415, or Si2404 system-side device and the Si3018/10 line-side device, the ISOModem utilizes Skyworks Solutions' patented direct access arrangement (DAA) technology to provide a programmable telephone line interface with an unparalleled level of integration. These compact solutions eliminate the need for a separate DSP, modem controller, codec, transformer, relay, opto-isolators, clocking crystal, and 2-4 wire hybrid. Available with a system-side packaging option of either a 16-pin SOIC or a 24-pin TSSOP, these devices are ideal for embedded modem applications due to their flexibility, small footprint, and minimal external component count.

System Block Diagram



Ordering Information

This data sheet is valid only for those chipset combinations listed on page 50.

Pin Assignments

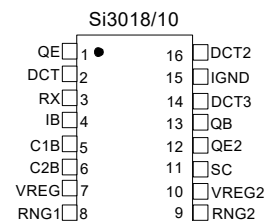
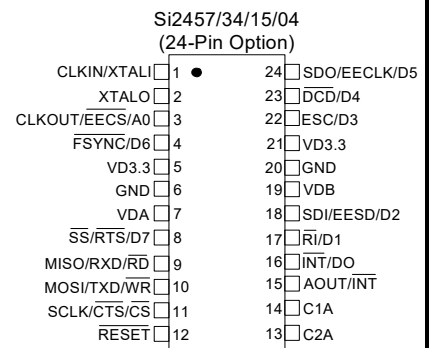
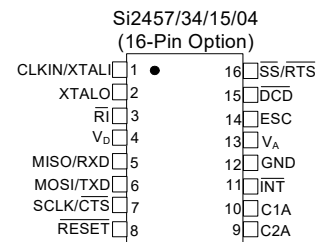


TABLE OF CONTENTS

| <u>Section</u> | <u>Page</u> |
|---|-------------|
| 1. Electrical Specifications | 4 |
| 2. Typical Application Schematic | 11 |
| 3. Bill of Materials: Si2457/34/15/04 Chipset | 13 |
| 4. Functional Description | 17 |
| 4.1. Host Interface | 17 |
| 4.2. Command Mode | 18 |
| 4.3. Data Mode | 18 |
| 4.4. Fast Connect | 18 |
| 4.5. V.80 Synchronous Access Mode | 18 |
| 4.6. Clocking | 18 |
| 4.7. Low-Power Modes | 18 |
| 4.8. Data Compression | 18 |
| 4.9. Error Correction | 18 |
| 4.10. Wire Mode | 18 |
| 4.11. Caller ID Operation | 19 |
| 4.12. Parallel Phone Detection | 19 |
| 4.13. Overcurrent Detection | 21 |
| 4.14. Global Operation | 21 |
| 4.15. Firmware Upgrades | 21 |
| 4.16. DTMF Detection / Generation | 21 |
| 4.17. SMS/MMS Support | 21 |
| 4.18. Codec Interface (24-Pin Version Only) | 21 |
| 4.19. EEPROM Interface (24-Pin Version Only) | 21 |
| 4.20. AT Commands | 21 |
| 4.21. Extended AT Commands | 30 |
| 5. S-Registers | 41 |
| 6. User-Access Registers (U-Registers) | 44 |
| 7. Pin Descriptions: Si2457/34/15/04 (16-Pin Option) | 45 |
| 8. Pin Descriptions: Si2457/34/15/04 (24-Pin Option) | 47 |
| 9. Pin Descriptions: Si3018/10 | 49 |
| 10. Ordering Guide | 50 |
| 11. Package Markings (Top Markings) | 51 |
| 11.1. Si2457-D-FT Top Marking | 51 |
| 11.2. Si2457-D-FS Top Marking | 51 |
| 11.3. Si2434-D-FT Top Marking | 51 |
| 11.4. Si2434-D-FS Top Marking | 52 |
| 11.5. Si2415-D-FT Top Marking | 52 |
| 11.6. Si2415-D-FS Top Marking | 52 |
| 11.7. Si2404-D-FT Top Marking | 52 |
| 11.8. Si2404-D-FS Top Marking | 53 |
| 11.9. Si3010-F-FS Top Marking | 53 |
| 11.10. Si3018-F-FS Top Marking | 53 |
| 12. Package Outline: 24-Pin TSSOP | 54 |
| 13. 24-Pin TSSOP Land Pattern | 55 |
| 14. Package Outline: 16-Pin SOIC | 56 |
| 15. 16-Pin SOIC Land Pattern | 58 |
| Document Change List | 59 |
| Contact Information | 60 |

Si2457/34/15/04

1. Electrical Specifications

Table 1. Recommended Operating Conditions

| Parameter ¹ | Symbol | Test Condition | Min ² | Typ | Max ² | Unit |
|--|--------|--------------------|------------------|----------|------------------|------|
| Ambient Temperature | T_A | F-grade G-grade | 0 -40 | 25 25 | 70 85 | °C |
| Si2457/34/15/04 Supply Voltage, Digital ³ | V_D | | 3.0 | 3.3 | 3.6 | V |

Notes:

- The Si2457/34/15/04 specifications are guaranteed when the typical application circuit (including component tolerance) and any Si2457/34/15/04 and any Si3018 are used. See "2. Typical Application Schematic" on page 11.
- All minimum and maximum specifications are guaranteed and apply across the recommended operating conditions. Typical values apply at nominal supply voltages and an operating temperature of 25 °C unless otherwise stated.
- The digital supply, V_D , operates from 3.0 to 3.6 V.

Table 2. Loop Characteristics

($V_D = 3.0$ to 3.6 V, $T_A = 0$ to 70 °C for F-grade, $T_A = -40$ to 85 °C for G-grade)

| Parameter | Symbol | Test Condition | Min | Typ | Max | Unit |
|----------------------------------|----------|--|-----|-----|-----|-----------|
| DC Termination Voltage | V_{TR} | $I_L = 20$ mA, ILIM ¹ = 0 DCV = 00, MINI = 11, DCR = 0 | — | — | 6.0 | V |
| DC Termination Voltage | V_{TR} | $I_L = 120$ mA, ILIM = 0 DCV = 00, MINI = 11, DCR = 0 | 9 | — | — | V |
| DC Termination Voltage | V_{TR} | $I_L = 20$ mA, ILIM = 0 DCV = 11, MINI = 00, DCR = 0 | — | — | 7.5 | V |
| DC Termination Voltage | V_{TR} | $I_L = 120$ mA, ILIM = 0 DCV = 11, MINI = 00, DCR = 0 | 9 | — | — | V |
| DC Termination Voltage | V_{TR} | $I_L = 20$ mA, ILIM = 1 DCV = 11, MINI = 00, DCR = 0 | — | — | 7.5 | V |
| DC Termination Voltage | V_{TR} | $I_L = 60$ mA, ILIM = 1 DCV = 11, MINI = 00, DCR = 0 | 40 | — | — | V |
| DC Termination Voltage | V_{TR} | $I_L = 50$ mA, ILIM = 1 DCV = 11, MINI = 00, DCR = 0 | — | — | 40 | V |
| On-Hook Leakage Current | I_{LK} | $V_{TR} = -48$ V | — | — | 5 | μA |
| Operating Loop Current | I_{LP} | MINI = 00, ILIM = 0 | 10 | — | 120 | mA |
| Operating Loop Current | I_{LP} | MINI = 00, ILIM = 1 | 10 | — | 60 | mA |
| DC Ring Current | | DC current flowing through ring detection circuitry | — | 1.5 | 3 | μA |
| Ring Detect Voltage ² | V_{RD} | RT = 0 | 12 | 15 | 18 | V_{RMS} |
| Ring Detect Voltage ² | V_{RD} | RT = 1 | 18 | 21 | 25 | V_{RMS} |
| Ring Frequency | F_R | | 15 | — | 68 | Hz |
| Ringer Equivalence Number | REN | | — | — | 0.2 | |

Notes:

- ILIM = U67, bit 9; DCV = U67, bits 3:2; MINI = U67, bits 13:12; DCR = U67, bit 7; RT = U67, bit 0.
- The ring signal is guaranteed to not be detected below the minimum. The ring signal is guaranteed to be detected above the maximum.

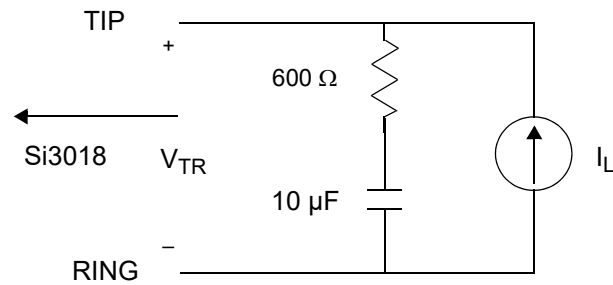


Figure 1. Test Circuit for Loop Characteristics

Table 3. DC Characteristics, $V_D = 3.0$ to 3.6 V

($V_D = 3.0$ to 3.6 V, $T_A = 0$ to 70 °C for F-grade, $T_A = -40$ to 85 °C for G-grade)

| Parameter | Symbol | Test Condition | Min | Typ | Max | Unit |
|-------------------------------------|----------|----------------|-----|-----|------|------------|
| High Level Input Voltage | V_{IH} | | 2.0 | — | — | V |
| Low Level Input Voltage | V_{IL} | | — | — | 0.8 | V |
| High Level Output Voltage | V_{OH} | $I_O = -2$ mA | 2.4 | — | — | V |
| Low Level Output Voltage | V_{OL} | $I_O = 2$ mA | — | — | 0.35 | V |
| Input Leakage Current | I_L | | -10 | — | 10 | μ A |
| Pullup Resistance Pins | R_{PU} | | 50 | 125 | 200 | k Ω |
| Total Supply Current* | I_D | | — | 17 | 35 | mA |
| Total Supply Current, Wake on Ring* | I_D | | — | 4.4 | — | mA |
| Total Supply Current, Powerdown* | I_D | PDN = 1 | — | 80 | — | μ A |

*Note: All inputs at 0 or V_D . All inputs held static except clock and all outputs unloaded (Static $I_{OUT} = 0$ mA).

Table 4. AC Characteristics

($V_D = 3.0$ to 3.6 V, $T_A = 0$ to 70 °C for F-grade, $F_s = 8$ kHz, $T_A = -40$ to 85 °C for G-grade)

| Parameter | Symbol | Test Condition | Min | Typ | Max | Unit |
|---|------------|--|-----|--------|-----|------------|
| Sample Rate | F_s | | — | 8 | — | kHz |
| Clock Input Frequency | F_{XTL} | default | — | 4.9152 | — | MHz |
| Clock Input Frequency | F_{XTL} | 27 MHz Mode ¹ | — | 27 | — | MHz |
| Clock Input Frequency | F_{XTL} | 32 kHz Mode ¹ | — | 32.768 | — | kHz |
| Receive Frequency Response | | Low -3 dBFS Corner, FILT = 0 | — | 5 | — | Hz |
| Receive Frequency Response | | Low -3 dBFS Corner, FILT = 1 | — | 200 | — | Hz |
| Transmit Full Scale Level ² | V_{FS} | | — | 1.1 | — | V_{PEAK} |
| Receive Full Scale Level ^{2,3} | V_{FS} | | — | 1.1 | — | V_{PEAK} |
| Dynamic Range ⁴ | DR | ILIM = 0, DCV = 11, MINI = 00 DCR = 0, $I_L = 100$ mA | — | 80 | — | dB |
| Dynamic Range ⁴ | DR | ILIM = 0, DCV = 00, MINI = 11 DCR = 0, $I_L = 20$ mA | — | 80 | — | dB |
| Dynamic Range ⁴ | DR | ILIM = 1, DCV = 11, MINI = 00 DCR = 0, $I_L = 50$ mA | — | 80 | — | dB |
| Transmit Total Harmonic Distortion ⁵ | THD | ILIM = 0, DCV = 11, MINI = 00 DCR = 0, $I_L = 100$ mA | — | -72 | — | dB |
| Transmit Total Harmonic Distortion ⁵ | THD | ILIM = 0, DCV = 00, MINI = 11 DCR = 0, $I_L = 20$ mA | — | -78 | — | dB |
| Receive Total Harmonic Distortion ⁵ | THD | ILIM = 0, DCV = 00, MINI = 11 DCR = 0, $I_L = 20$ mA | — | -78 | — | dB |
| Receive Total Harmonic Distortion ⁵ | THD | ILIM = 1, DCV = 11, MINI = 00 DCR = 0, $I_L = 50$ mA | — | -78 | — | dB |
| Dynamic Range (Caller ID Mode) | DR_{CID} | $V_{IN} = 1$ kHz, -13 dBm | — | 50 | — | dB |

Notes:

1. Refer to “AN93: ISModem® Chipset Family Designer's Guide” for configuring clock input reset strapping.
2. Measured at TIP and RING with 600 Ω termination at 1 kHz, as shown in Figure 1 on page 5.
3. Receive full scale level produces -0.9 dBFS at DTX.
4. $DR = 20 \times \log |V_{in}| + 20 \times \log (\text{rms signal/rms noise})$. Applies to both transmit and receive paths. $V_{in} = 1$ kHz, -3 dBFS.
5. $V_{in} = 1$ kHz, -3 dBFS. $THD = 20 \times \log (\text{rms distortion/rms signal})$.

Table 5. Absolute Maximum Ratings

| Parameter | Symbol | Value | Unit |
|---|------------|-------------------------|--------------------|
| DC Supply Voltage | V_D | 4.1 | V |
| Input Current, Si2457/34/15/04 Digital Input Pins | I_{IN} | ± 10 | mA |
| Digital Input Voltage | V_{IND} | -0.3 to $(V_D + 0.3)$ | V |
| CLKIN/XTALI Input Voltage | V_{XIND} | -0.3 to $(V_D + 0.3)$ | V |
| Operating Temperature Range | T_A | -10 to 100 | $^{\circ}\text{C}$ |
| Storage Temperature Range | T_{STG} | -40 to 150 | $^{\circ}\text{C}$ |

Note: Permanent device damage may occur if the above absolute maximum ratings are exceeded. Functional operation should be restricted to the conditions as specified in the operational sections of this data sheet. Exposure to absolute maximum rating conditions for extended periods may affect device reliability.

Table 6. Switching Characteristics¹

($V_D = 3.0$ to 3.6 V, $T_A = 0$ to 70 $^{\circ}\text{C}$ for F-grade, $T_A = -40$ to 85 $^{\circ}\text{C}$ for G-grade)

| Parameter | Symbol | Min | Typ | Max | Unit |
|--|------------|---------|-----|-----|------|
| UART Timing Parameters | | | | | |
| Baud Rate Accuracy | t_{BD} | -1 | — | 1 | % |
| Reset Timing Parameters | | | | | |
| $\overline{\text{RESET}}$ \downarrow to $\overline{\text{RESET}}$ \uparrow | t_{RS} | 5.0^2 | — | — | ms |
| $\overline{\text{RESET}}$ \uparrow to 1st AT Command | t_{AT} | 300 | — | — | ms |
| Parallel Timing Parameters | | | | | |
| Address Setup | t_{AS} | 15 | — | — | ns |
| Address Hold | t_{AH} | 0 | — | — | ns |
| $\overline{\text{WR}}$ Low Pulse Width | t_{WL} | 50 | — | — | ns |
| Write Data Setup Time | t_{WDSU} | 20 | — | — | ns |
| Write Cycle Time | t_{WC} | 120 | — | — | ns |
| Chip Select Setup | t_{CSS} | 10 | — | — | ns |
| Chip Select Hold | t_{CSH} | 0 | — | — | ns |
| $\overline{\text{RD}}$ Low Pulse Width | t_{RL} | 50 | — | — | ns |
| $\overline{\text{RD}}$ Low to Data Driven Time | t_{RLDD} | — | — | 20 | ns |
| Data Hold | t_{DH} | 10 | — | — | ns |
| $\overline{\text{RD}}$ High to Hi-Z Time | t_{DZ} | — | — | 30 | ns |

Notes:

- All timing is referenced to the 50% level of the waveform. Input test levels are $V_{IH} = V_D - 0.4$ V, $V_{IL} = 0.4$ V.
- With 32.768 kHz clocking, allow 500 ms for the reset low-to-high minimum pulse on power-up and wake-from-power-down conditions.

Si2457/34/15/04

Table 6. Switching Characteristics¹ (Continued)

($V_D = 3.0$ to 3.6 V, $T_A = 0$ to 70 °C for F-grade, $T_A = -40$ to 85 °C for G-grade)

| Parameter | Symbol | Min | Typ | Max | Unit |
|--|------------------|-----|-----|-----|------|
| Read Cycle Time | t_{RC} | 120 | — | — | ns |
| Write to Read Cycle Time | t_{WRC} | 120 | — | — | ns |
| Serial Peripheral Interface (SPI) Timing Parameters | | | | | |
| SS Falling to First SCLK Edge | t_{SE} | 41 | — | — | ns |
| Last SCLK Edge to SS Rising | t_{SD} | 41 | — | — | ns |
| SS Rising to MISO High-Z | t_{SDZ} | — | — | 93 | ns |
| SCLK High Time | t_{CKH} | 102 | — | — | ns |
| SCLK Low Time | t_{CKL} | 102 | — | — | ns |
| MOSI Valid to SCLK Sample Edge | t_{SIS} | 41 | — | — | ns |
| SCLK Sample Edge to MOSI Change | t_{SIH} | 41 | — | — | ns |
| SCLK Shift Edge to MISO Change | t_{SOH} | — | — | 93 | ns |
| SCLK cycle time | t_{SCK} | 224 | — | — | ns |
| Inactive time between SS actives | t_{NSS_INACT} | 81 | — | — | ns |
| Notes: | | | | | |
| 1. All timing is referenced to the 50% level of the waveform. Input test levels are $V_{IH} = V_D - 0.4$ V, $V_{IL} = 0.4$ V. | | | | | |
| 2. With 32.768 kHz clocking, allow 500 ms for the reset low-to-high minimum pulse on power-up and wake-from-power-down conditions. | | | | | |

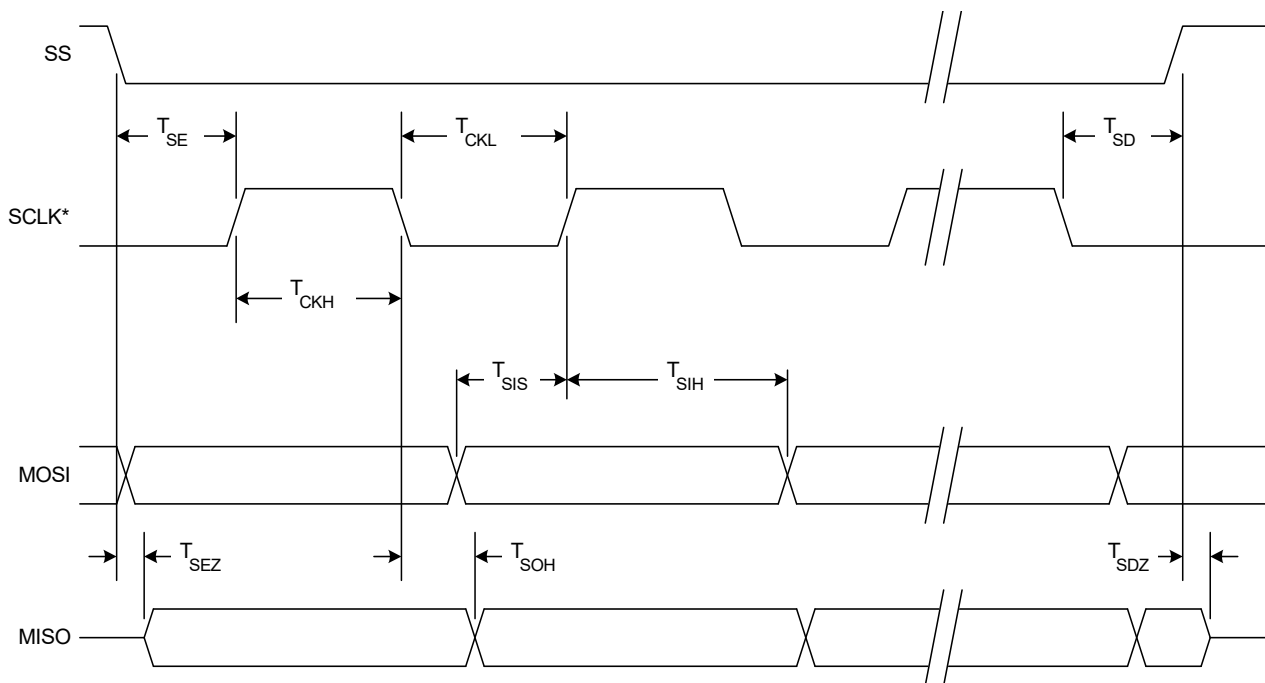


Figure 2. SPI Slave Timing

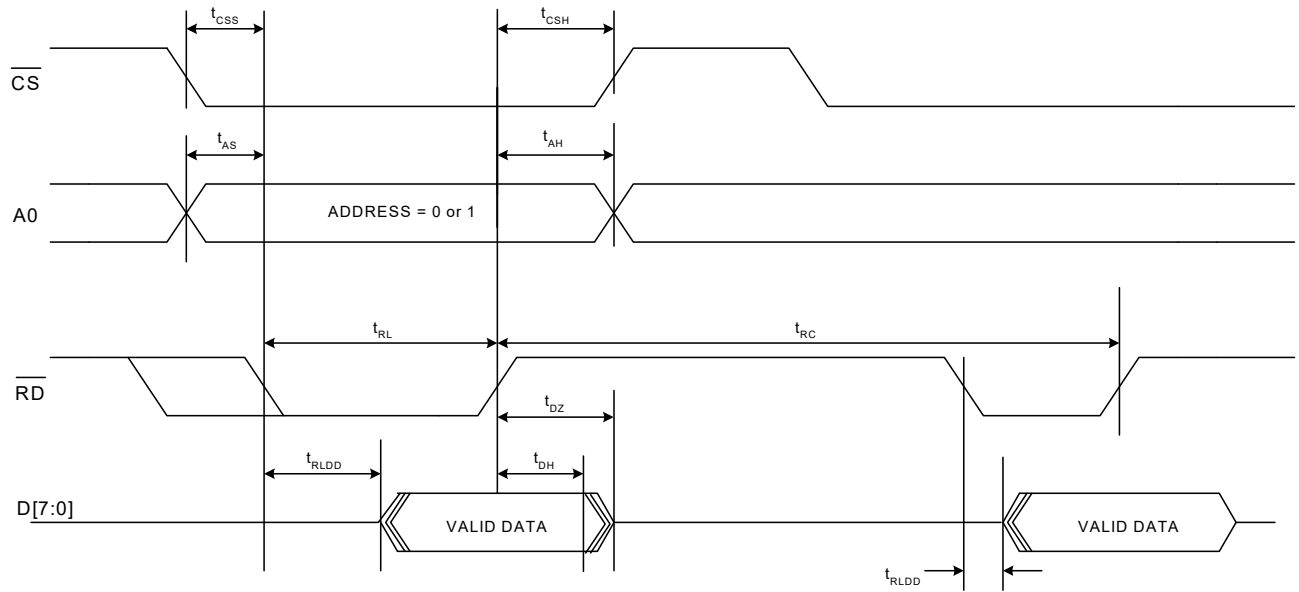


Figure 3. Parallel Interface Read Timing

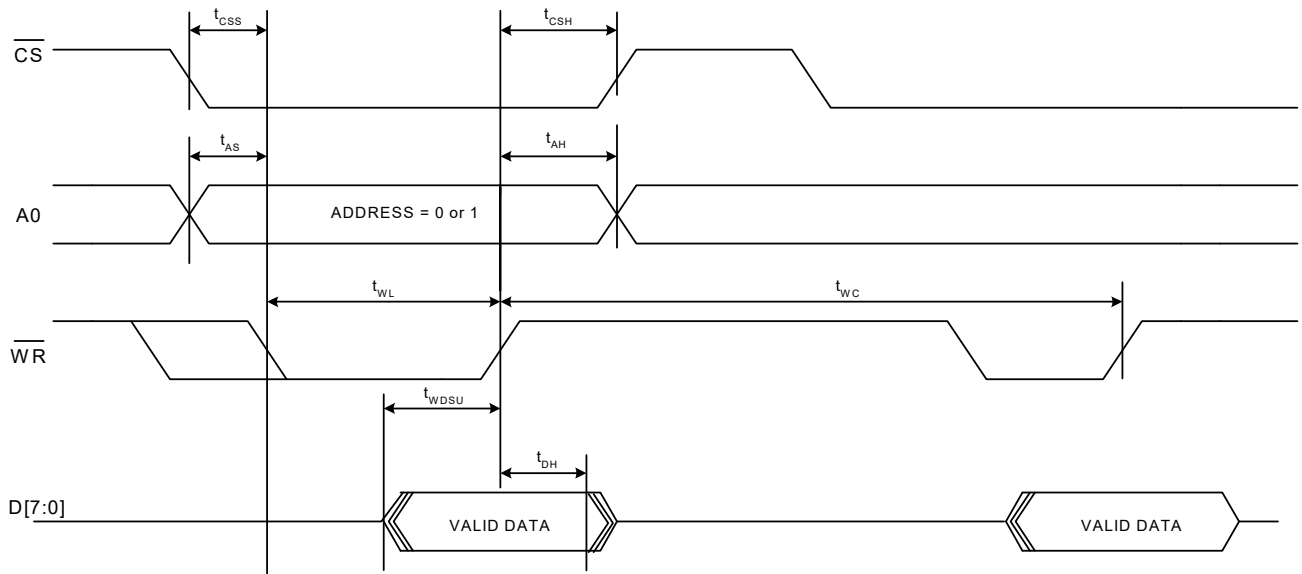


Figure 4. Parallel Interface Write Timing

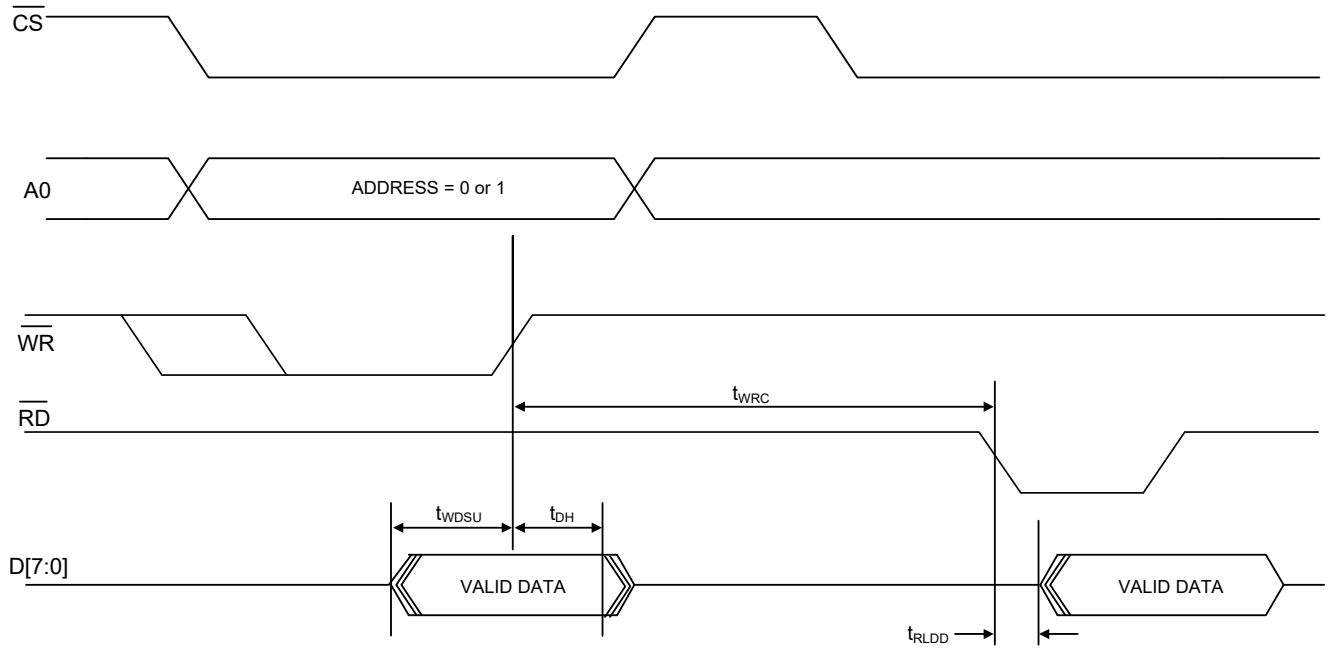


Figure 5. Parallel Interface Write Followed by Read Timing

2. Typical Application Schematic

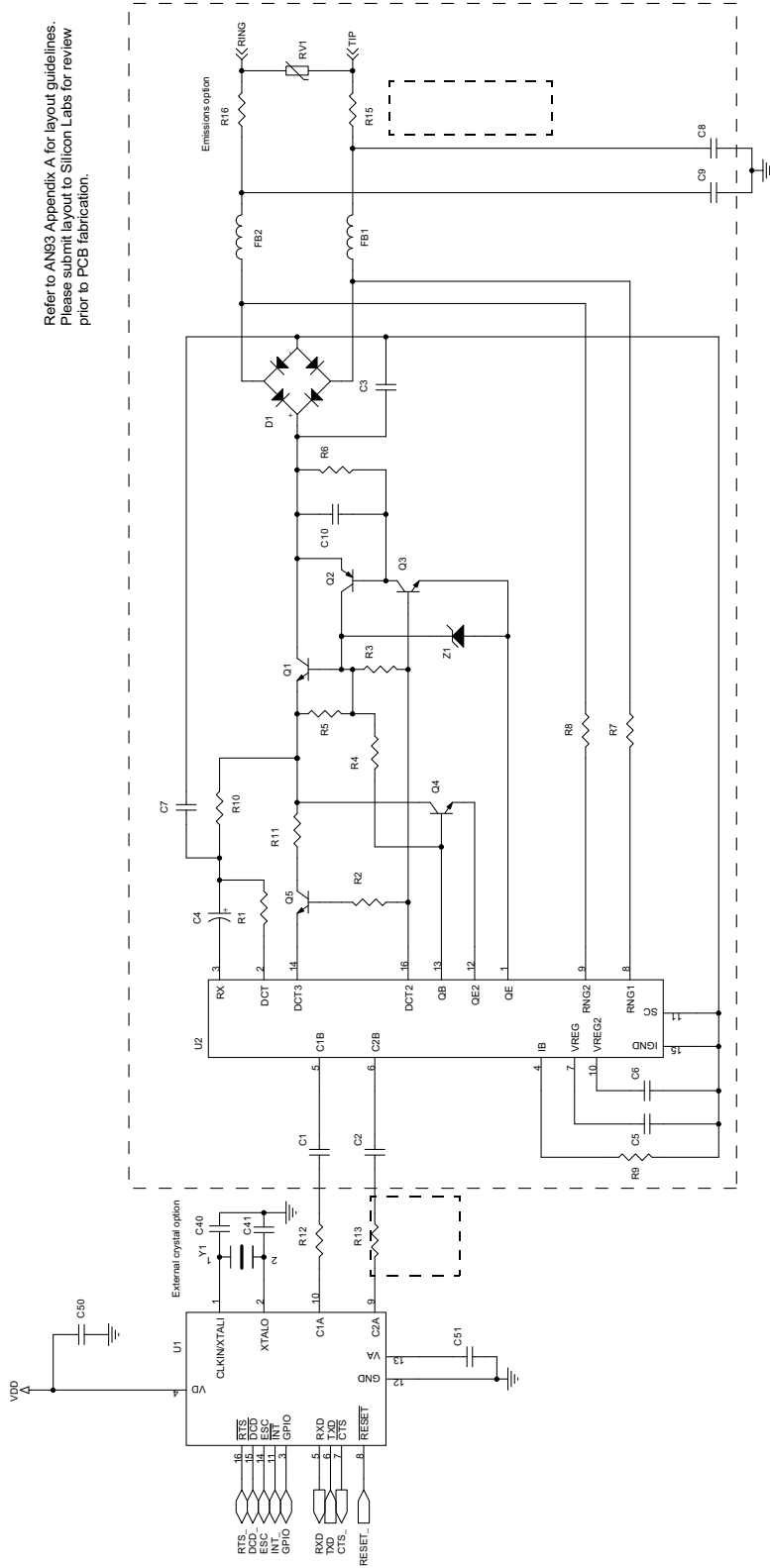


Figure 6. Typical Si2457/34/15/04 Schematic with 16-pin System-Side Option

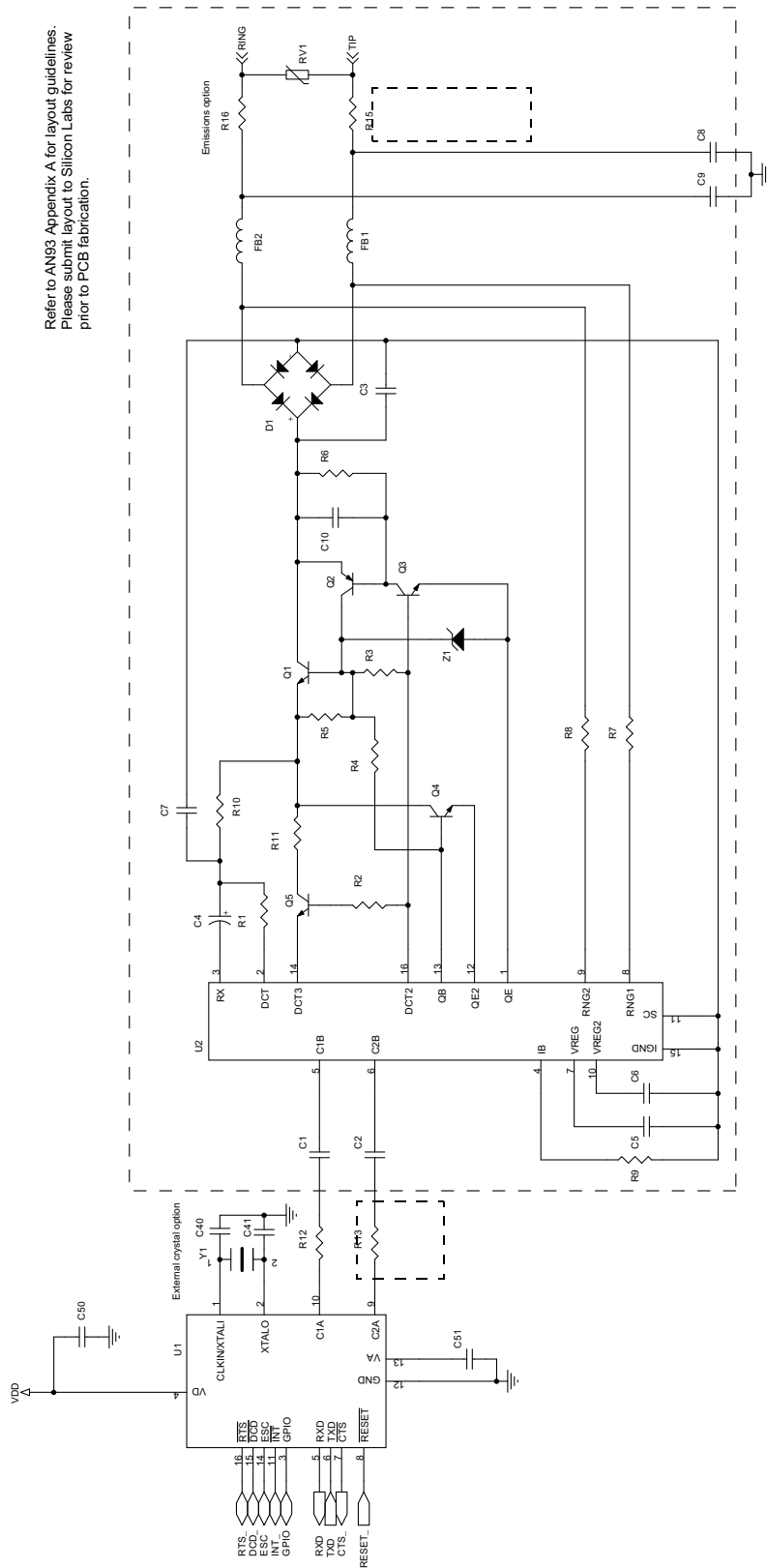


Figure 7. Typical Si2457/34/15/04 Schematic with 24-pin System-Side Option

3. Bill of Materials: Si2457/34/15/04 Chipset

| Component | Value | Supplier(s) |
|-------------------------------|---|---------------------------|
| C1, C2 | 33 pF, Y2, X7R, $\pm 20\%$ | Panasonic, Murata, Vishay |
| C3 | 10 nF, 250 V, X7R, $\pm 20\%$ | Venkel, SMEC |
| C4 | 1.0 μ F, 50 V, Elec/Tant, $\pm 20\%$ | Panasonic |
| C5, C6, C50, C52 ¹ | 0.1 μ F, 16 V, X7R, $\pm 20\%$ | Venkel, SMEC |
| C7 | 2.7 nF, 50 V, X7R, $\pm 20\%$ | Venkel, SMEC |
| C8, C9 | 680 pF, Y2, X7R, $\pm 10\%$ | Panasonic, Murata, Vishay |
| C10 | 0.01 μ F, 16 V, X7R, $\pm 20\%$ | Venkel, SMEC |
| C40 C41 | 32.768 kHz: 18 pF, 16 V, NPO, $\pm 5\%$ | Venkel, SMEC |
| | 4.9152 MHz: 33 pF, 16 V, NPO, $\pm 5\%$ | |
| | 27 MHz: Not Populated | |
| C51, C53 ¹ | 0.22 μ F, 16 V, X7R, $\pm 20\%$ | Venkel, SMEC |
| D1, D2 ² | Dual Diode, 225 mA, 300 V, CMPD2004S | Central Semiconductor |
| FB1, FB2 | Ferrite Bead, BLM21AG601SN1 | Murata |
| Q1, Q3 | NPN, 300 V, MMBTA42 | OnSemi, Fairchild |
| Q2 | PNP, 300 V, MMBTA92 | OnSemi, Fairchild |
| Q4, Q5 | NPN, 80 V, 330 mW, MMBTA06 | OnSemi, Fairchild |
| RV1 | Sidactor, 275 V, 100 A | Teccor, Protek, ST Micro |
| R1 | 1.07 k Ω , 1/2 W, 1% | Venkel, SMEC, Panasonic |
| R2 | 150 Ω , 1/16 W, 5% | Venkel, SMEC, Panasonic |
| R3 | 3.65 k Ω , 1/2 W, 1% | Venkel, SMEC, Panasonic |
| R4 | 2.49 k Ω , 1/2 W, 1% | Venkel, SMEC, Panasonic |
| R5, R6 | 100 k Ω , 1/16 W, 5% | Venkel, SMEC, Panasonic |
| R7, R8 | 20 M Ω , 1/16 W, 5% | Venkel, SMEC, Panasonic |
| R9 | 1 M Ω , 1/16 W, 1% | Venkel, SMEC, Panasonic |
| R10 | 536 Ω , 1/4 W, 1% | Venkel, SMEC, Panasonic |
| R11 | 73.2 Ω , 1/2 W, 1% | Venkel, SMEC, Panasonic |
| R12, R13 | 56 Ω , 1/16 W, 1% | Venkel, SMEC, Panasonic |
| R15, R16 ³ | 0 Ω , 1/16 W | Venkel, SMEC, Panasonic |
| U1 | Si2457/34/15/04 | Skyworks Solutions |
| U2 | Si3018/10 | Skyworks Solutions |
| Y1 ⁴ | 32.768 kHz, 12 pF, 100 ppm, 35 k Ω max ESR | ECS Inc., Siward |
| | 4.9152 MHz, 20 pF, 100 ppm, 150 Ω ESR | |
| | 27 MHz (from external clock) | |
| Z1 | Zener Diode, 43 V, 1/2 W, BZT84C43 | On Semi |

Notes:

1. C52 and C53 should not be populated with the Si2457/34/15/04 16-pin package option.
2. Several diode bridge configurations are acceptable. For example, a single DF04S or four 1N4004 diodes may be used.
3. Murata BLM21AG601SN1 may be substituted for R15–R16 (0 Ω) to decrease emissions.
4. To ensure compliance with ITU specifications, frequency tolerance must be less than 100 ppm including initial accuracy, 5-year aging, 0 to 70 °C, and capacitive loading.

Table 7. Protocol Characteristics

| Item | Specification |
|--|---|
| Data Rate | |
| 56 kbps ¹ | ITU-T V.90 ¹ |
| 54.666 kbps ¹ | ITU-T V.90 ¹ |
| 53.333 kbps ¹ | ITU-T V.90 ¹ |
| 52 kbps ¹ | ITU-T V.90 ¹ |
| 50.666 kbps ¹ | ITU-T V.90 ¹ |
| 49.333 kbps ¹ | ITU-T V.90 ¹ |
| 48 kbps ¹ | ITU-T V.90 ¹ |
| 46.666 kbps ¹ | ITU-T V.90 ¹ |
| 45.333 kbps ¹ | ITU-T V.90 ¹ |
| 44 kbps ¹ | ITU-T V.90 ¹ |
| 42.666 kbps ¹ | ITU-T V.90 ¹ |
| 41.333 kbps ¹ | ITU-T V.90 ¹ |
| 40 kbps ¹ | ITU-T V.90 ¹ |
| 38.666 kbps ¹ | ITU-T V.90 ¹ |
| 37.333 kbps ¹ | ITU-T V.90 ¹ |
| 36 kbps ¹ | ITU-T V.90 ¹ |
| 34.666 kbps ¹ | ITU-T V.90 ¹ |
| 33.333 kbps ¹ | ITU-T V.90 ¹ |
| 32 kbps ¹ | ITU-T V.90 ¹ |
| 30.666 kbps ¹ | ITU-T V.90 ¹ |
| 29.333 kbps ¹ | ITU-T V.90 ¹ |
| 28 kbps ¹ | ITU-T V.90 ¹ |
| 33.6 kbps ² | ITU-T V.34 ² |
| 31.2 kbps ² | ITU-T V.34 ² |
| 28.8 kbps ² | ITU-T V.34 ² |
| 26.4 kbps ² | ITU-T V.34 ² |
| 24.0 kbps ² | ITU-T V.34 ² |
| 21.6 kbps ² | ITU-T V.34 ² |
| 19.2 kbps ² | ITU-T V.34 ² |
| 16.8 kbps ² | ITU-T V.34 ² |
| 14.4 kbps ³ | ITU-T V.34 or V.32bis ³ |
| 12.0 kbps ³ | ITU-T V.34 or V.32bis ³ |
| 9600 bps ³ | ITU-T V.34, V.32bis, or V.29 ³ |
| 7200 bps ³ | ITU-T V.34 or V.32bis ³ |
| 4800 bps ³ | ITU-T V.34 or V.32bis ³ |
| 2400 bps | ITU-T V.34 or V.22bis ³ |
| 1200 bps | ITU-T V.22bis, V.23, or Bell 212A |
| 300 bps | ITU-T V.21 |
| 300 bps | Bell 103 |
| Notes: | |
| 1. Supported on Si2457 only. | |
| 2. Supported on Si2457 and Si2434 only. | |
| 3. Supported on Si2457, Si2434, and Si2415 only. | |

Table 7. Protocol Characteristics (Continued)

| Item | Specification |
|---|--|
| Data Format Bit asynchronous | Selectable 8, 9, 10, or 11 bits per character, which includes the start, stop, and parity bits |
| Compatibility | ITU-T V.90 ¹ , V.34 ² , V.32bis, V.32, V.23, V.22bis, V.22, V.21, Bell 212A, and Bell 103 |
| Operating Mode Switched network | Two-wire full duplex |
| Data Modulation 28 to 56 kbps ¹ 2.4 to 33.6 kbps ² 14.4 kbps ³ 12.0 kbps ³ 9600 bps ³ 9600 bps ³ 9600 bps ³ 7200 bps ³ 4800 bps ³ 2400 bps 1200 bps 300 bps | V.90 as specified by ITU-T V.34 as specified by ITU-T 128-level TCM/2400 Baud ±0.01% 64-level TCM/2400 Baud ±0.01% 32-level TCM/2400 Baud ±0.01% 16-level QAM/2400 Baud ±0.01% V.29 QAM as specified by ITU-T 16-level TCM/2400 Baud ±0.01% 4-level QAM/2400 Baud ±0.01% 16-level QAM/600 Baud ±0.01% 4-level PSK/600 Baud ±0.01% FSK 300 Baud ±0.01% |
| Answer Tone ITU-T V.32bis, V.32, V.22bis, V.22, and V.21 modes Bell 212A and 103 modes | 2100 Hz ±3 Hz 2225 Hz ±3 Hz |
| Transmit Carrier V.90 ¹ V.34 ² ITU-T V.32bis ³ ITU-T V.32 ³ ITU-T V.29 ³ ITU-T V.22, V.22bis/Bell 212A Originate mode Answer mode ITU-T V.21 Originate mode Answer mode Bell 103 Originate mode Answer mode | As specified by ITU-T As specified by ITU-T 1800 Hz ±0.01% 1800 Hz ±0.01% 1700 Hz±1 Hz 1200 Hz ±0.5 Hz 2400 Hz ±1 Hz Mark (980 Hz ±12 Hz) Space (1180 Hz ±12 Hz) Mark (1650 Hz ±12 Hz) Space (1850 Hz ±12 Hz) Mark (1270 Hz ±12 Hz) Space (1070 Hz ±12 Hz) Mark (2225 Hz ±12 Hz) Space (2025 Hz ±12 Hz) |
| Output Level Permissive—Switched network | -9 dBm maximum |
| Notes: 1. Supported on Si2457 only. 2. Supported on Si2457 and Si2434 only. 3. Supported on Si2457, Si2434, and Si2415 only. | |

Table 7. Protocol Characteristics (Continued)

| Item | Specification |
|--|--|
| Receive Carrier ITU-T V.90 ¹ ITU-T V.34 ² ITU-T V.32bis ³ ITU-T V.32 ³ ITU-T V.29 ³ ITU-T V.22, V.22bis/Bell 212A Originate mode Answer mode ITU-T V.21 Originate mode Answer mode Bell 103 Originate mode Answer mode | As specified by ITU-T As specified by ITU-T 1800 Hz ±7 Hz 1800 Hz ±7 Hz 1700 Hz ±7 Hz 2400 Hz ±7 Hz 1200 Hz ±7 Hz Mark (980 Hz ±12 Hz) Space (1180 Hz ±12 Hz) Mark (1650 Hz ±12 Hz) Space (1850 Hz ±12 Hz) Mark (2225 Hz ±12 Hz) Space (2025 Hz ±12 Hz) Mark (1270 Hz ±12 Hz) Space (1070 Hz ±12 Hz) |
| Carrier Detect (level for ITU-T V.22bis, V.22, V.21, 212, 103) in Switched Network | Acquisition (–43 dBm) Release (–48 dBm) |
| Hysteresis | 2 dBm minimum |
| Note: ITU-T V.90 ¹ , V.34 ² , V.32/V.32bis ³ are echo canceling protocols that use signal quality as criteria for maintaining connection. They also provide for self-training detection to force disconnect. | |
| DTE Interface | EIA/TIA-232-E (ITU-T V.24/V.28/ISO 2110) |
| Line Equalization | Automatic Adaptive |
| Connection Options | Loss of Carrier in ITU-T V.22bis and lower |
| Phone Types | 500 (rotary dial), 2500 (DTMF dial) |
| Dialing | Pulse and Tone |
| DTMF Output Level | Per TIA-968-B |
| Pulse Dial Ratio | Make/Break: 39/61% |
| Ring Cadence | Per T1.401.02-2000 |
| Call Progress Monitor | BUSY CONNECT (rate) NO ANSWER NO CARRIER NO DIALTONE OK RING RINGING |
| Notes: 1. Supported on Si2457 only. 2. Supported on Si2457 and Si2434 only. 3. Supported on Si2457, Si2434, and Si2415 only. | |

4. Functional Description

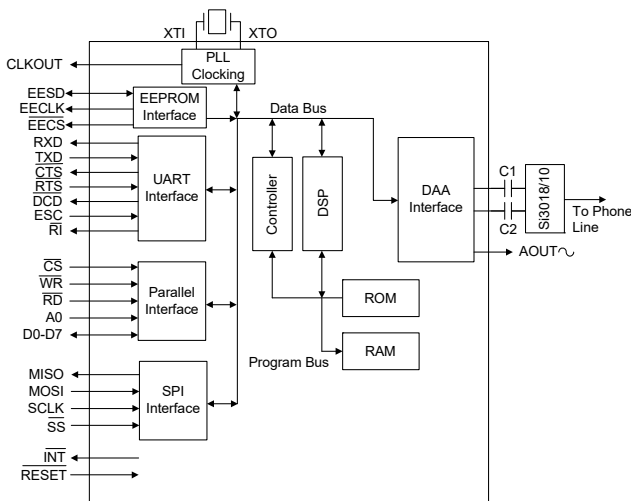


Figure 8. Functional Block Diagram

The Si2457/34/15/04 ISModem[®] is a complete embedded modem chipset with integrated direct access arrangement (DAA) that provides a programmable line interface to meet global telephone line requirements. Available in two small packages, this solution includes a DSP data pump, modem controller, on-chip RAM and ROM, codec, DAA, analog output, and 27 MHz clock input.

The Si2457/34/15/04 accepts standard modem AT commands and provides connect rates up to 56/33.6/14.4/2.4 kbps full-duplex over the Public Switched Telephone Network (PSTN). The Si2457/34/15/04 features a complete set of modem protocols including all ITU-T standard formats up to V.90. To provide the most flexibility, the Si2457/34/15/04 ISModem system-side device is offered in either a 24-pin TSSOP or a 16-pin SOIC package. The 16-pin version is footprint-compatible with the Si2401 ISModem and is recommended for most applications. The 16-pin version does not support the parallel, EEPROM or voice codec interface. If these features are required, customers should use the 24-pin version.

The ISModem provides numerous additional features for embedded modem applications. The modem includes full type I and type II caller ID detection and decoding for global standards. Call progress monitoring is supported through standard result codes. The modem is also programmable to meet global settings. Because the Si2457/34/15/04 ISModem integrates the DAA, analog features, such as parallel phone detect, overcurrent detection, and global PTT compliance with a single design, are included.

This device is ideal for embedded modem applications due to its small board space, low power consumption, and global compliance. The Si2457/34/15/04 solution includes a silicon DAA using Skyworks Solutions' proprietary third-generation DAA technology. This highly-integrated DAA can be programmed to meet worldwide PTT specifications for ac termination, dc termination, ringer impedance, and ringer threshold. In addition, the Si2457/34/15/04 has been designed to meet the most stringent worldwide requirements for out-of-band energy, billing-tone immunity, surge immunity, and safety requirements.

The Si2457/34/15/04 allows for rapid integration into existing modem applications by providing a serial interface that can directly communicate to either a microcontroller via a UART interface or a PC via an RS-232 port. This interface allows for PC evaluation of the modem immediately upon powerup via the AT commands using standard terminal software.

4.1. Host Interface

The Si2457/34/15/04 interfaces to the host processor through either an asynchronous serial interface, a synchronous Serial Peripheral Interface (SPI), or a parallel interface. The default is asynchronous serial communication. Selection of either SPI or parallel interface is done on power-up with reset strapping. Please refer to "AN93: ISModem[®] Chipset Family Designer's Guide" for details.

4.1.1. Asynchronous Serial Interface

The Si2457/34/15/04 supports asynchronous serial communication with data terminal equipment (DTE) at rates up to 307.2 kbps with the standard serial UART format. Upon powerup, the UART baud rate is automatically detected using the autobaud feature.

4.1.2. Serial Peripheral Interface (SPI)

The serial peripheral interface (SPI) provides a flexible, full-duplex synchronous serial bus for host processor and Si2457/34/15/04 ISModem communication. When the Si2457/34/15/04 is powered up with SPI mode enabled the modem becomes an SPI slave, and the pins are configured to SS (slave select input, active low), MOSI (serial data input to modem), MISO (serial data output from modem) and SCLK (serial data clock input). Each SPI operation consists of a control-and-address byte and a data byte.

4.1.3. Parallel Interface (24-Pin Version Only)

The Si2457/34/15/04 can also communicate via a parallel interface when using the 24-pin version. The parallel interface is an 8-bit data bus with a single bit address to memory mapped registers.

4.2. Command Mode

Upon reset, the ISOModem[®] is in command mode and accepts “AT” commands. An outgoing modem call can be made using the “ATDT#” (tone dial) or “ATDP#” (pulse dial) command after the device is configured. If the handshake is successful, the modem responds with the response codes detailed in Table 12 on page 38 and enters data mode.

4.3. Data Mode

The Si2457/34/15/04 ISOModem is in data mode while it has a telephone line connection to another modem or is in the process of establishing a connection.

Data protocols are available to provide error correction to improve reliability (V.42 and MNP2-4) and data compression to increase throughput (V.44, V.42bis and MNP5).

Each connection between two modems in data mode begins with a handshaking sequence. During this sequence, the modems determine the line speed, data protocol, and related parameters for the data link. Configuration through AT commands determines the range of choices available to the modem during the negotiation process.

4.4. Fast Connect

The Si2457/34/15/04 supports a fast connect mode of operation to reduce the time of a connect sequence in originate mode. The Fast Connect modes can be enabled for V.21, V.22, Bell103, and V.29 modulations. See AN93 for details.

4.5. V.80 Synchronous Access Mode

The Si2457/34/15/04 supports a V.80 synchronous access mode of operation, which operates with an asynchronous DTE and a synchronous DCE. See “AN93: ISOModem[®] Chipset Family Designer’s Guide”.

4.6. Clocking

The Si2457/34/15/04 contains an on-chip phase-locked loop (PLL) and clock generator to derive all necessary internal system clocks from a single clock input. A 32.768 kHz or 4.9152 MHz crystal can be used across XTALI and XTALO pins to form the master clock (± 100 ppm max, ± 25 ppm recommended) for the ISOModem. The 32.768 kHz option can provide lower BOM costs and smaller footprint. Alternatively, a clock input of 27 MHz, 4.9152 MHz, or 32.768 kHz can be provided to XTALI if that clock source is available in the system. A 4.9152 MHz clock input is the default clock option. Other clock options are selected at power-up through reset strapping. Refer to AN93 for details.

4.7. Low-Power Modes

The Si2457/34/15/04 provides multiple low power modes. Using the S24 S-register, the Si2457/34/15/04 can be set to automatically enter sleep mode after a pre-programmed time of inactivity with either the DTE or the remote modem. The sleep mode is entered after (S24) seconds have passed since the last DTE activity, after the transmit FIFO is empty, and after the last data are received from the remote modem.

Additionally, the Si2457/34/15/04 can be placed in wake-on-ring-mode using the command, AT&Z. In either mode, the ISOModem remains in the sleep state until one of the following occurs:

- A 1-to-0 transition on TXD (UART mode).
- A 1-to-0 transition on SS (SPI mode).
- A 1-to-0 transition on CS (parallel mode).
- An incoming ring is detected.
- A parallel telephone is picked up.
- Line polarity reversal

The Si2457/34/15/04 may also be placed in a complete powerdown mode. Once the Si2457/34/15/04 completely powers down, it can only be powered back on via the RESET pin.

4.8. Data Compression

The modem can achieve DTE (host-to-ISOModem) speeds greater than the maximum DCE (modem-to-modem) speed through the use of a data compression protocol. The compression protocols available are the ITU-T V.42bis and MNP5 protocols. Data compression attempts to increase throughput by compressing the data before actually sending it. Thus, the modem is able to transmit more data in a given period of time.

4.9. Error Correction

The Si2457/34/15/04 ISOModem can employ error correction (reliable) protocols to ensure error-free delivery of asynchronous data sent between the host and the remote end. The Si2457/34/15/04 supports V.42 and MNP2-4 error correction protocols. V.42 (LAPM) is most commonly used and is enabled by default.

4.10. Wire Mode

Wire mode is used to communicate with standard non-error correcting modems. When optioned with \N3, the Si2457/34/15/04 falls back to wire mode if it fails in an attempt to negotiate a V.42 link with the remote modem. Error correction and data compression are not active in wire mode.

4.11. Caller ID Operation

The Si2457/34/15/04 supports full type I and type II caller ID detection and decode. Caller ID is supported for the US Bellcore, European ETSI, UK, and Japanese protocols and is enabled via the +VCID, +VCDT, and +PCW commands.

4.12. Parallel Phone Detection

The ISModem[®] is able to detect when another telephone, modem, or other device is using the phone line. This allows the host to avoid interrupting another phone call when the phone line is already in use and to intelligently handle an interruption when the ISModem is using the phone line.

4.12.1. On-Hook Line-in-use Detection

When the ISModem is sharing the telephone line with other devices, it is important that it not interrupt a call in progress. To detect whether another device is using the shared telephone line, the host can use the ISModem to monitor the TIP-RING dc voltage with the line voltage sense (LVS) register (U6C, bits 15:8).

The LVS bits have a resolution of 1 V per bit with an accuracy of approximately $\pm 10\%$. Bits 0 through 6 of this 8-bit signed two's complement number indicate the value of the line voltage, and the sign bit (bit 7) indicates the polarity of TIP and RING. The ISModem can also monitor the TIP-RING dc voltage using the LVCS register (U79, bits 4:0). See Figure 9 on page 19. See also the %Vn commands for automatic line-in-use detection.

4.12.2. Off-Hook Intrusion Detection

When the ISModem is off-hook, an algorithm is implemented in the ISModem to automatically monitor the TIP-RING loop current via the LVCS register. During the off-hook state, the LVCS register switches from representing the TIP-RING voltage to representing the TIP-RING current. See Figure 10 on page 20. Upon detecting an intrusion, the ISModem alerts the host of the condition via the INT pin.

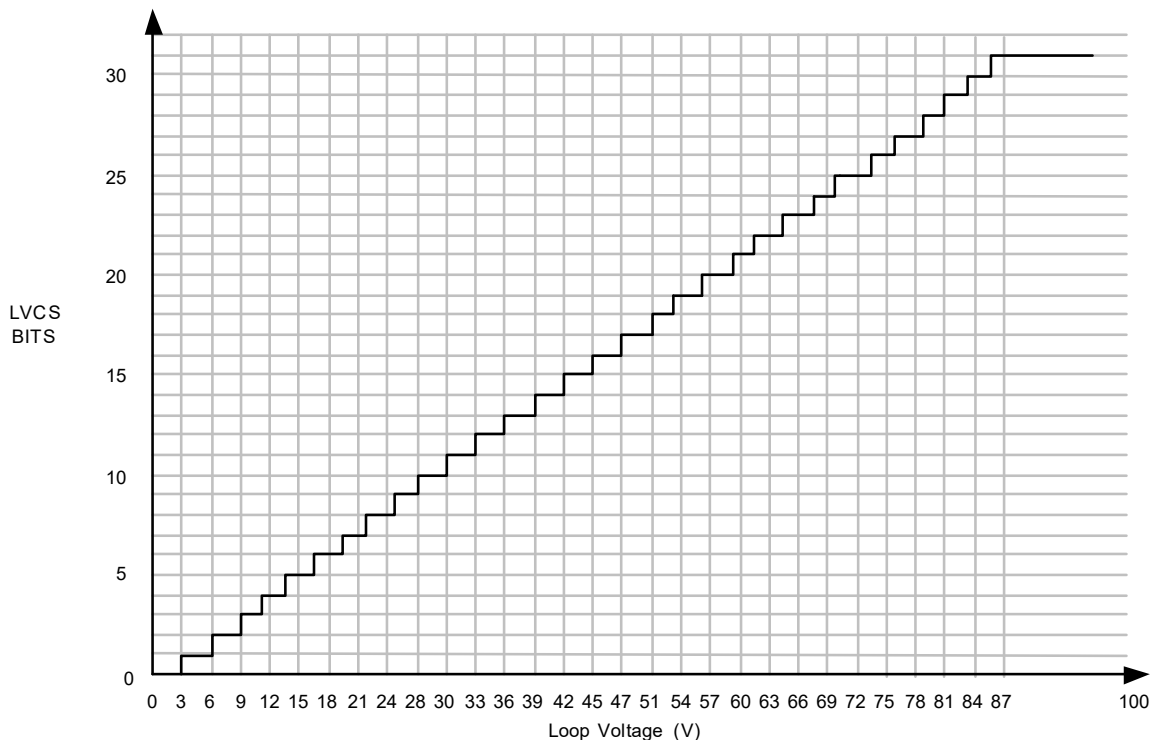


Figure 9. Loop Voltage

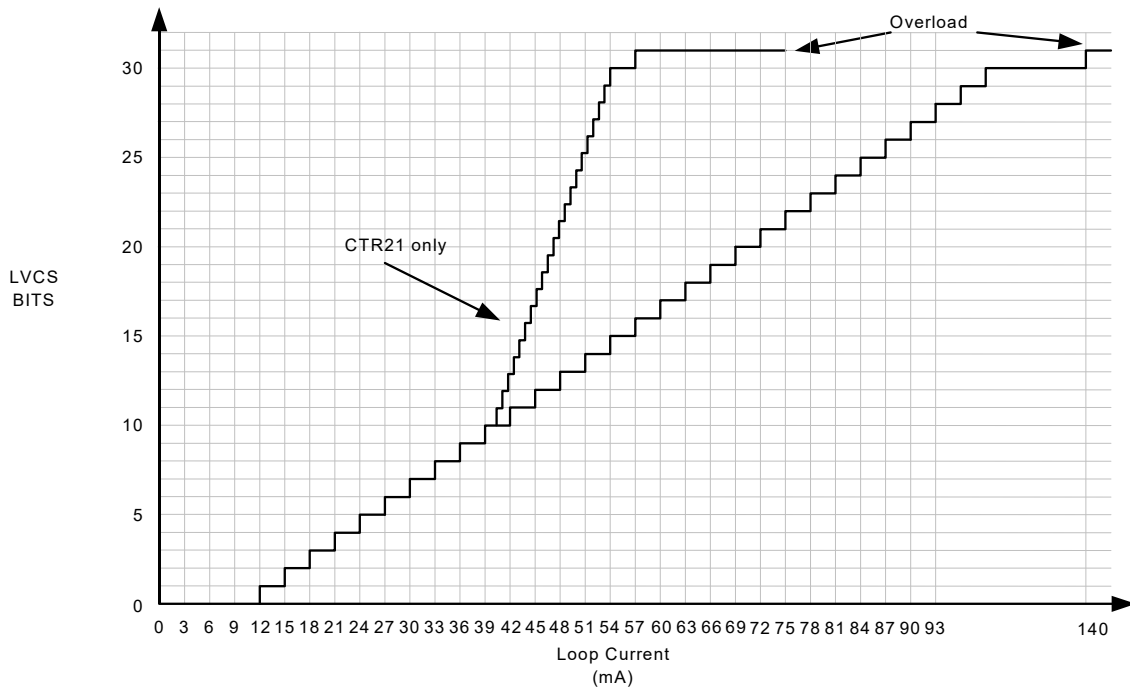


Figure 10. Loop Current

4.13. Overcurrent Detection

The Si2457/34/15/04 includes an overcurrent detection feature that measures the loop current at a programmable time after the Si2457/34/15/04 goes off-hook. This allows the Si2457/34/15/04 to detect if it is connected to an improper telephone line. The overcurrent detection feature may be enabled by setting the OCDM bit (U70, bit 11). OHT (U77, bits 8:0) sets the delay after off-hook until the loop current is measured. See “AN93: ISModem[®] Chipset Family Designer’s Guide” for details.

4.14. Global Operation

The Si2457/34/15/04 chipset contains an integrated silicon direct access arrangement (Silicon DAA) that provides a programmable line interface to meet international telephone line interface requirements. “AN93: Modem Designer’s Guide” gives the DAA register settings required to meet international PTT standards.

Additionally, the user-access registers (via the AT:U and AT:R commands) may be programmed for country-specific settings, such as dial tone, ring, ringback, and busy tone. See AN93 for complete details.

4.15. Firmware Upgrades

The Si2457/34/15/04 contains an on-chip program ROM that includes the firmware required for the features listed in this data sheet. In addition, the Si2457/34/15/04 contains on-chip program RAM to accommodate minor changes to the ROM firmware. This allows Skyworks Solutions to provide future firmware updates to optimize the characteristics of new modem designs and those already deployed in the field. See AN93 for complete details.

4.16. DTMF Detection / Generation

The Si2457/34/15/04 provides comprehensive DTMF tone generation and detection. The ISModem can generate single tones or DTMF tones using the +VTS command. DTMF tones may also be generated during dialing using the “ATDT” command. DTMF detection is only available in voice mode (+FCLASS = 8). DTMF digits are reported from the modem to the host using <DLE> shielding.

4.17. SMS/MMS Support

Short Message Service (SMS) is a service that allows text messages to be sent and received from one telephone to another via an SMS service center. Multimedia Messaging Service (MMS) extends the core SMS capability to send messages that include multimedia content. The Fax ISModem provides an interface that offers a great deal of flexibility in handling multiple SMS standards. This flexibility is possible because most of the differences between standards are handled by the host using the raw data itself. The Si2457/34/15/04 performs the necessary modulation/demodulation of the data and provides two options for message packet structure (Protocol 1 and Protocol 2, as defined in ETSI ES 201 912). The rest of the data link layer and transfer layer are defined by the host system.

The content of the message is entirely up to the host including any checksum or CRC. ETSI ES 201 912 describes two standard data and transfer layers that are commonly used. SMS typically relies on caller identification information to determine if the call should be answered using an SMS device or not.

See “6.4. SMS Support” in AN93 for more information on how to configure the modem for SMS support.

4.18. Codec Interface (24-Pin Version Only)

In order to support a full range of voice and data applications, the Si2457/34/15/04 includes an optional serial interface that connects to an external voice codec (Si3000). See AN93 for complete details.

4.19. EEPROM Interface (24-Pin Version Only)

The Si2457/34/15/04 supports an optional serial peripheral interface (SPI) bus serial EEPROM Mode 3 with a 16-bit (8–64 kbit range) address. Upon powerup, if a pulldown resistor $\leq 10\text{ k}\Omega$ is placed between D6 and GND, the ISModem attempts to detect an EEPROM. The EEPROM is intended first for setting custom defaults, second for automatically loading firmware upgrades, and third to allow for user-defined AT command macros for use in custom AT commands or country codes. See AN93 for complete details.

4.20. AT Commands

At powerup, the Si2457/34/15/04 is in the AT command mode. In command mode, the modem monitors the input (serial or parallel) checking constantly for a valid command (AT commands are described in Table 8.)

Table 8. Basic AT Command Set (Command Defaults in Bold)

| Command | Action | |
|-----------|---|--|
| \$ | Display AT command mode settings. | |
| A | Answer incoming call | |
| A/ | Re-execute last command. This is the only command not preceded by "AT" or followed by a <CR>. | |
| Dn | Dial The dial command, followed by 1 or more dial command modifiers, manually dials a phone number: | |
| | Modifier | Function |
| | ! or & | Flash hook switch for FHT (U4F) ms (default: 500 ms) |
| | , or < | Pause before continuing for S8 seconds (default: 2 seconds) |
| | ; | Return to AT command mode |
| | @ | Wait for silence. |
| | G | Polarity reversal detect. By placing the "G" character in the dial string (i.e. ATDTG1), the Si2457/34/15/04 will monitor the telephone line for polarity reversals. If a busy tone is detected, the Si2457/34/15/04 will report "POLARITY REVERSAL" if a polarity reversal was detected or "NO POLARITY REVERSAL" if a polarity reversal was not detected. In each case, the result code is followed by "OK". If the S7 timeout occurs before a busy tone is detected, the Si2457/34/15/04 will report "NO CARRIER". Polarity reversal monitoring begins after the last digit is dialed and ends when the busy tone is detected or S7 timeout occurs. Note: It is not possible to establish a modem connection when using this command. |
| | L | Redial last number. |
| | P | Pulse (rotary) dialing—pulse digits: 0, 1, 2, 3, 4, 5, 6, 7, 8, 9 |
| | T | Tone (DTMF) dialing—DTMF digits: *, #, A, B, C, D, 0, 1, 2, 3, 4, 5, 6, 7, 8, 9. |
| W | Wait for dial tone before continuing for S14 seconds (default: 12 seconds). Blind dialing modes X0, X1 and X3 do not affect the W command. | |
| | If the DOP bit (U7A, bit 7) is set, the "ATDTW" command will cause the ISModem@ to pause dialing and either report an "OK" if a dialtone is detected or "NO DIALTONE" if a dial tone is not detected. | |
| En | Local DTE echo | |
| E0 | Disable | |
| E1 | Enable | |
| Hn | Hook switch. | |

Table 8. Basic AT Command Set (Command Defaults in Bold) (Continued)

| Command | Action |
|-----------|--|
| H0 | Go on-hook (hang up modem). |
| H1 | Go off-hook. |
| In | Identification and checksum. |
| I0 | Display Si2457/34/15/04 revision code. B: Revision B C: Revision C, etc. |
| I1 | Display Si2457/34/15/04 firmware revision code (numeric). |
| I3 | Display line-side revision code. 18C = Si3018 revision C |
| I6 | Display the ISModem [®] model number. "2404" = Si2404 "2415" = Si2415 "2434" = Si2434 "2457" = Si2457 |
| I7 | Diagnostic results 1. See "AN93: ISModem [®] Chipset Family Designer's Guide" for details. |
| I8 | Diagnostic results 2. See AN93 for details. |
| Ln | Speaker volume operation |
| L1 | Low speaker volume |
| L2 | Medium speaker volume |
| L3 | High speaker volume |
| Mn | Speaker operation (via AOUT). |
| M0 | Speaker is always off. |
| M1 | Speaker is on while dialing and handshaking; off in data mode. |
| M2 | Speaker is always on. |
| M3 | Speaker is off while dialing, on during handshaking and retraining. |
| On | Return to data mode from Command mode operation. |
| O0 | Return to data mode. |
| O1 | Return to data mode and perform a full retrain (at any speed except 300 bps). |
| O2 | Return to data mode and perform rate renegotiation. |
| Qn | Response mode. |
| Q0 | Enable result codes (see Table 12 on page 38) |
| Q1 | Disable result codes (enable quiet mode). |
| R | Initiate V.23 reversal. |
| Sn | S-register operation (see Table 13 on page 41). |
| S\$ | List contents of all S registers. |
| Sn? | Display contents of S-register n. |

Table 8. Basic AT Command Set (Command Defaults in Bold) (Continued)

| Command | Action |
|-----------|--|
| Sn=x | Set S-register n to value x (where n and x are decimal values). |
| Vn | Result code type (see Table 12 on page 38). |
| V0 | Numeric result codes. |
| V1 | Verbal result codes |
| Xn | Call Progress Monitor (CPM)—This command controls which CPM signals are monitored and reported to the host from the Si2457/34/15/04. (See Table 12 on page 38.) |
| X0 | Basic results; disable CPM—Blind dial (does not wait for dial tone). CONNECT message does not include speed. |
| X1 | Extended results; disable CPM—Blind dial. CONNECT message includes speed. |
| X2 | Extended results and detect dial tone only—Add dial tone detection to X1 mode. Does not blind dial. |
| X3 | Extended results and detect busy only—Add busy tone detection to X1 mode. |
| X4 | Extended results, full CPM—Full CPM enabled, CONNECT message includes speed. |
| X5 | Extended results—Full CPM enabled including ringback detection. Adds ringback detection to X4 mode. |
| Yn | Long space disconnect—Modem hangs up after 1.5 seconds or more of continuous space while on-line. |
| Y0 | Disable. |
| Y1 | Enable. |
| Z | Hard Reset—This command is functionally equivalent to pulsing the RESET pin low. (See t_{AT} in Table 6 on page 7.) |
| :E | Read from serial EEPROM. |
| :I | Interrupt Read—This command causes the ISOmodem [®] to report the lower 8 bits of the interrupt register I/O Control 0 (U70). The CID, OCD, PPD, and RI bits also are cleared, and the INT pin (INT bit in parallel mode) is deactivated on this read. |
| :M | Write to serial EEPROM. |
| :P | Program RAM Write—This command is used to upload firmware supplied by Skyworks Solutions to the Si2457/34/15/04. The format for this command is AT:Paaaa,xxxx,yyyy,... where aaaa is the first address in hexadecimal and xxxx,yyyy,... is data in hexadecimal. Only one :P command is allowed per AT command line. No other commands can be concatenated in the :P command line. This command is <i>only</i> for use with special files provided by Skyworks Solutions. Do not attempt to use this command for any other purpose. |
| :R | User-Access Register Read—This command allows the user to read from the user-access registers (see "6. User-Access Registers (U-Registers)" on page 44). The format is "AT:Raa", where: aa = user-access address in hexadecimal. The "AT:R" command causes all the U- registers to be displayed. |

Table 8. Basic AT Command Set (Command Defaults in Bold) (Continued)

| Command | Action |
|---|---|
| :U | User-Access Register Write—This command allows the user to write to the 16-bit user-access registers. (See page page 44.) The format is “AT:Uaa,xxxx,yyy,zzzz,…” where aa = user-access address in hexadecimal. xxxx = Data in hexadecimal to be written to location aa. yyy = Data in hexadecimal to be written to location (aa + 1). zzzz = Data in hexadecimal to be written to location (aa + 2). etc. |
| +DR=X | Data compression reporting. <u>X</u> <u>Mode</u> 0 Disabled 1 Enabled If enabled, the intermediate result code is transmitted at the point after error control negotiation. The format of this result code is as follows: <u>Result code</u> <u>Mode</u> +DR:NONE Data compression is not in use +DR:V42B Rec. V.42bis is in use in both directions +DR:V42B RD Rec. V.42bis is in use in receive direction only +DR:V42B TD Rec. V.42bis is in use in transmit directions only |
| +DS Options +DS = A +DS = A,B +DS = A,B,C +DS = A,B,C,D | Controls V.42bis data compression function. A Direction 0 No compression 1 Transmit only 2 Receive only 3 Both Directions B Compression_negotiation 0 Do not disconnect if V.42 is not negotiated. 1 Disconnect is V.42 is not negotiated. C Maximum dictionary size 512 D Maximum string size 6 to 250 (28 default) |
| +ES Options +ES = A +ES = A,,C | Enable synchronous access mode. A Specifies the mode of operation when initiating a modem connection. D Disable synchronous assess mode. 6 Enable synchronous access mode when connection is completed and data state is entered. B Specifies fallback mode of operation. This parameter should not be used. C Specifies the mode of operation when answer a modem connection. D Disable synchronous assess mode. 8 Enable synchronous access mode when connection is completed and data state is entered. |

Table 8. Basic AT Command Set (Command Defaults in Bold) (Continued)

| Command | Action |
|--|--|
| +ESA Options +ESA = A +ESA = A,B +ESA = A,B,C +ESA = A,B,C,E +ESA = A,B,C,E,F +ESA = A,B,C,E,F, G | Synchronous access mode control options A Specifies action taken if an underrun condition occurs during transparent sub-mode. 0 Modem transmits 8-bit SYN sequences on idle. B Specifies action taken if an underrun condition occurs after a flag during framed sub-mode 0 Modem transmits 8-bit HDLC flags on idle. C Specifies action taken if an underrun or overrun condition occurs after a non-flag during framed sub-mode. 0 Modem transmits abort on underrun in middle of frame. 1 Modem transmits flag on underrun in middle of frame and notifies host of underrun or overrun. D Specifies V.34 half duplex operation. This parameter should not be used. E Specifies CRC polynomial used while in framed sub-mode. 0 CRC generation checking disable. 1 16-bit CRC generation and checking is performed by the modem. F Specifies NRZI encoding and decoding. 0 NRZI encoding and decoding disabled. G Specifies SYN. 255 |
| +FCLASS = X | Class 1 Mode Enable for V.29 fast connect. X <u>Mode</u> 0 Off 1 Enables support for Class 1 mode for use in the V.29 fast connect mode. |
| +FRM = X | Class 1 Receive Carrier for V.29 fast connect. X <u>Mode</u> 2 Transmit V.21 (980 Hz) tone for longer than 100 ms, then send answer tone (2100/2225 Hz) for 200 ms. 95 V.29 short synchronous. 96 V.29 full synchronous. |
| +FTM = X | Class 1 Transmit Carrier for V.29 fast connect. X <u>Mode</u> 2 Transmit V.21 (980 Hz) tone. 53 Same as &T4, but transmit V.29 7200 bps. Data pattern set by S40 register. AT + FCLASS = 0 must be sent to restore the ISOModem [®] to normal operation after test. 54 Same as &T4, but transmit V.29 9600 bps. Data pattern set by S40 register. AT + FCLASS = 0 must be sent to restore the ISOModem to normal operation after test. 95 V.29 short synchronous. 96 V.29 full synchronous. |

Table 8. Basic AT Command Set (Command Defaults in Bold) (Continued)

| Command | Action |
|----------|--|
| | Country settings - Automatically configure all registers for a particular country. |
| | <u>X</u> <u>Country</u> |
| | 0 Japan |
| | 9 Australia |
| | A Austria |
| | F Belgium |
| | 16 Brazil |
| | 1B Bulgaria |
| | 20 Canada |
| | 26 China |
| | 27 Columbia |
| | 2E Czech Republic |
| | 31 Denmark |
| | 35 Ecuador |
| | 3C Finland |
| | 3D France |
| | 42 Germany |
| | 46 Greece |
| | 50 Hong Kong |
| | 51 Hungary |
| | 53 India |
| | 57 Ireland |
| | 58 Israel |
| +GCI = X | 59 Italy |
| | 61 South Korea |
| | 69 Luxembourg |
| | 6C Malaysia |
| | 73 Mexico |
| | 7B Netherlands |
| | 7E New Zealand |
| | 82 Norway |
| | 87 Paraguay |
| | 89 Philippines |
| | 8A Poland |
| | 8B Portugal |
| | 9C Singapore |
| | 9F South Africa |
| | A0 Spain |
| | A5 Sweden |
| | A6 Switzerland |
| | B8 Russia |
| | B4 United Kingdom |
| | B5 United States |
| | FE Taiwan |
| | Note: U-registers are configured to Skyworks Solutions' recommended values. The +GCI command resets the U-registers and the S7 and S6 S-registers to default values before setting country-specific values. Changes may be made by writing individual registers after sending the AT+GCI command. Refer to "AN93: ISOModem [®] Chipset Family Designer's Guide" for details. |
| +GCI? | List current country code setting (response is: + GCI:<setting>) |
| +GCI = ? | List all possible country code settings. |

Table 8. Basic AT Command Set (Command Defaults in Bold) (Continued)

| Command | Action |
|---|---|
| +IFC Options +IFC = A +IFC = A,B | Specifies the flow control to be implemented. A Specifies the flow control method used by the host to control data from the modem 0 None 1 Local XON/OFF flow control. Does not pass XON/XOFF character to the remote modem. 2 Hardware flow control (RTS) B Specifies the flow control method used by the modem to control data from the host 0 None 1 Local XON/OFF flow control. 2 Hardware flow control (CTS). |
| +ITF Options +ITF = A +ITF = A,B +ITF = A,B,C | Transmit flow control threshold. A Threshold above which the modem will generate a flow off signal <0 to 511> bytes B Threshold below which the modem will generate a flow on signal <0 to 511> bytes C Polling interval for <BNUM> indicator 0 to 300 in 10 msec units. |
| +MR = X | Modulation reporting control. X <u>Mode</u> 0 Disabled 1 Enabled If enabled, the intermediate result code is transmitted at the point during connect negotiation. The format of this result code is as follows: +MCR: <carrier> e.g. +MCR: V32B +MRR: <rate> e.g. +MRR: 14400 |
| +MS Options +MS = A +MS = A,B +MS = A,B,C +MS = A,B,C,D +MS = A,B,C,D,E +MS = A,B,C,D,E,F | Modulation Selection. A Preferred modem carrier V21 ITU-T V.21 V22 ITU-T V.22 V22B ITU-T V.22bis (default for Si2404) V32 ITU-T V.32 V32B ITU-T V.32bis (default for Si2415) V34 ITU-T V.34 (default for Si2434) V90 ITU-T V.90 (default for Si2457) B Automatic modulation negotiation 0 Disabled 1 Enabled C,D Min TX rate/Max TX rate are optional numeric values that specify the lowest value at which the DCE may establish a connection. If unspecified (set to 0), they are determined by the carrier and automode settings. E,F Min RX rate/Max RX rate are optional numeric values which specify the highest value at which the DCE may establish a connection. If unspecified (set to 0), they are determined by the carrier and automode settings. |

Table 8. Basic AT Command Set (Command Defaults in Bold) (Continued)

| Command | Action |
|-----------|---|
| +PCW = X | Controls the action to be taken upon detection of call waiting. <u>X</u> <u>Mode</u> 0 Toggle RI and collect type II Caller ID if enabled by +VCID. 1 Hang up. 2 Ignore call waiting. |
| +VCDT = X | Caller ID Type. <u>X</u> <u>Mode</u> 0 After ring only 1 Always on (Recommended Setting) 2 UK 3 Japan |
| +VCID = X | Caller ID Enable. <u>X</u> <u>Mode</u> 0 Off 1 On—formatted 2 On—raw data format |
| +VCIDR? | Type II caller ID information — The Si2457/34/15/04 will display “+VCDIR:” followed by raw caller ID information including checksum. |

Si2457/34/15/04

4.21. Extended AT Commands

The extended AT commands are supported by the Si2457/34/15/04 and are described in Tables 9 through 11.

Table 9. Extended AT& Command Set (Command Defaults in Bold)

| Command | Action |
|-----------------|---|
| &\$ | Display AT& current settings. |
| &D0 | ESC is not used |
| &D1 | ESC escapes to command mode from data mode if also enabled by HES U70, bit 15. |
| &D2 | ESC assertion during a modem connection causes the modem to go on-hook and return to command mode. |
| &D3 | ESC assertion causes ATZ command (reset and return OK result code). |
| &F | Restore factory default settings. |
| &Gn | Line connection rate limit—This command sets an upper limit on the line speed that the Si2457/34/15/04 can connect. Note that the &Hn commands may limit the line speed as well (&Gn not used for &H0 or &H1). Not all modulations support rates given by &G. Any improper setting will be ignored. |
| &G3 | 1200 bps max |
| &G4 | 2400 bps max (default for Si2404) |
| &G5 | 4.8 kbps max |
| &G6 | 7.2 kbps max |
| &G7 | 9.6 kbps max |
| &G8 | 12 kbps max |
| &G9 | 14.4 kbps max (default for Si2415) |
| &G10 | 16.8 kbps max |
| &G11 | 19.2 kbps max |
| &G12 | 21.6 kbps max |
| &G13 | 24 kbps max |
| &G14 | 26.4 kbps max |
| &G15 | 28.8 kbps max |
| &G16 | 31.2 kbps max |
| &G17 | 33.6 kbps max (default for Si2457 and Si2434) |
| &Hn | Switched network handshake mode—&Hn commands must be on a separate command line from ATD, ATA, or ATO commands. |
| &H0 | V.90 with automatic fallback (56 kbps to 300 bps) (default for Si2457) |
| &H1 | V.90 only (56 kbps to 28 kbps) |
| &H2 | V.34 with automatic fallback (33.6 kbps to 300 bps) (default for Si2434) |
| &H3 | V.34 only (33.6 kbps to 2400 bps) |

Table 9. Extended AT& Command Set (Command Defaults in Bold) (Continued)

| Command | Action |
|----------------|---|
| &H4 | ITU-T V.32bis with automatic fallback (14.4 kbps to 300 bps) (default for Si2415) |
| &H5 | ITU-T V.32bis only (14.4 kbps to 4800 bps) |
| &H6 | ITU-T V.22bis only (2400 bps or 1200 bps) |
| &H7 | ITU-T V.22 only (1200 bps) |
| &H8 | Bell 212 only (1200 bps) |
| &H9 | Bell 103 only (300 bps) |
| &H10 | ITU-T V.21 only (300 bps) |
| &H11 | V.23 (1200/75 bps) |
| &Pn | Japan pulse dialing |
| &P0 | Configure Si2457/34/15/04 for 10 pulse-per-second pulse dialing. For Japan. |
| &P1 | Configure Si2457/34/15/04 for 20 pulse-per-second pulse dialing. For Japan. |
| &Tn | Test mode |
| &T0 | Cancel test mode (Escape to command mode to issue AT&T0). This command will also report the number of bit errors encountered on the previous &T4 or &T5 test. |
| &T2 | Initiate ITU-T V.54 (ANALOOP) test. Modulation set by &H AT command. Test loop is through the DSP (Si2457/34/15/04 device) only. ISModem® echoes data from TX pin (Register 0 in parallel mode) back to RX pin (Register 0 in parallel mode). |
| &T3 | Initiate ITU-T V.54 (ANALOOP) test. Modulation set by &H AT command. Test loop is through the DSP (Si2457/34/15/04), DAA interface section (Si2457/34/15/04), DAA interface (Si3018), and analog hybrid circuit (Si3018). ISModem echoes data from TX pin (Register 0 in parallel mode) back to RX pin (Register 0 in parallel mode). Phone line termination required as in Figure 1. To test only the link operation, the hybrid and AFE codec can be removed from the test loop by setting the DL bit (U62, bit 1). |
| &T4 | Initiate transmit as originating modem with automatic data generation. Modulation, data rate, and symbol rate are set by &H, &G, and S41. Data pattern is set by the S40 register. Continues until the ATH command is sent after an escape into command mode. Data is also demodulated as in ANALOOP, and any bit errors are counted to be displayed after the test using &T0. |
| &T5 | Initiate transmit as answering modem with automatic data generation. Modulation, data rate, and symbol rate are set by &H, &G, and S41. Data pattern is set by the S40 register. Continues until the ATH command is sent after an escape into command mode. Data is also demodulated as in ANALOOP, and any bit errors are counted to be displayed after the test using &T0. |
| &T6 | Compute checksum for firmware-upgradeable section of program memory. If no firmware upgrade is installed, &T6 returns 0x4474. |
| &Xn | Automatic determination of telephone line type. |
| &X0 | Abort &x1 or &x2 command. |

Table 9. Extended AT& Command Set (Command Defaults in Bold) (Continued)

| Command | Action |
|---------|--|
| &X1 | Automatic determination of telephone line type. Result code: WXYZn W: 0 = line supports DTMF dialing. 1 = line is pulse dial only. X: 0 = line supports 20 pps dialing. 1 = line supports 10 pps dialing only. Y: 0 = extension network present (PBX). 1 = outside line (PSTN) connected directly. Z: 0 = continuous dialtone. 1 = make-break dialtone. n: 0–9 (number required for outside line if Y = 0). Note: The initial number attempted for an outside line is controlled in S51. |
| &X2 | Same as &X1, but Y result (PBX) is not tested. |
| *Y2A | Produce a constant answer tone (ITU-T) and return to command mode. The answer tone continues until the ATH command is received or the S7 timer expires. |
| &Z | Enter low-power wake-on-ring mode. |

Table 10. Extended AT% Command Set (Command Defaults in Bold)

| Command | Action | | | | | | | | |
|----------------------------|---|---------------------|---------------|-------------------------|--------------------------------------|----------------------------|--|------------------|---|
| %%\$ | Display AT% command settings. | | | | | | | | |
| %B | Report blacklist. See also S42 register. | | | | | | | | |
| %Cn | Data compression | | | | | | | | |
| %C0 | Disable V.42bis and MNP5 data compression | | | | | | | | |
| %C1 | Enable V.42bis in transmit and receive paths. If MNP is selected (IN2), then %C1 enables MNP5 in transmit and receive paths. | | | | | | | | |
| %C2 | Enable V.42bis in transmit path only. | | | | | | | | |
| %C3 | Enable V.42bis in receive path only. | | | | | | | | |
| %On | Answer mode. | | | | | | | | |
| %O1 | Si2457/34/15/04 will auto-answer a call in answer mode. | | | | | | | | |
| %O2 | Si2457/34/15/04 will auto-answer a call in originate mode. | | | | | | | | |
| %Vn | Automatic Line Status Detection. After the %V1 and %V2 commands are issued, the Si2457/34/15/04 will automatically check the telephone connection for whether or not a line is present. If a line is present, the Si2457/34/15/04 will automatically check if the line is already in use. Finally, the Si2457/34/15/04 will check line status both before going off-hook and again before dialing. %V1 uses the fixed method, and %V2 uses the adaptive method. %V0 (default) disables this feature. | | | | | | | | |
| %V0 | Disable automatic line-in-use detection. | | | | | | | | |
| %V1 | Automatic Line Status Detection—Fixed Method. Description: Before going off-hook with the ATD, ATO, or ATA commands, the Si2457/34/15/04 compares the line voltage (via LVCS) to registers NOLN (U83) and LIUS (U84): <table border="0"> <tr> <td><u>Loop Voltage</u></td> <td><u>Action</u></td> </tr> <tr> <td>$0 \leq LVCS \leq NOLN$</td> <td>Report "NO LINE" and remain on-hook.</td> </tr> <tr> <td>$NOLN \leq LVCS \leq LIUS$</td> <td>Report "LINE IN USE" and remain on-hook.</td> </tr> <tr> <td>$LIUS \leq LVCS$</td> <td>Go off-hook and establish a modem connection.</td> </tr> </table> Once the call has begun, the off-hook intrusion algorithm (described in "4.12.2. Off-Hook Intrusion Detection" on page 19) operates normally. In addition, the Si2457/34/15/04 will report "NO LINE" if the telephone line is completely disconnected. If the HOI bit (U77, bit 11) is set, "LINE IN USE" is reported upon intrusion. | <u>Loop Voltage</u> | <u>Action</u> | $0 \leq LVCS \leq NOLN$ | Report "NO LINE" and remain on-hook. | $NOLN \leq LVCS \leq LIUS$ | Report "LINE IN USE" and remain on-hook. | $LIUS \leq LVCS$ | Go off-hook and establish a modem connection. |
| <u>Loop Voltage</u> | <u>Action</u> | | | | | | | | |
| $0 \leq LVCS \leq NOLN$ | Report "NO LINE" and remain on-hook. | | | | | | | | |
| $NOLN \leq LVCS \leq LIUS$ | Report "LINE IN USE" and remain on-hook. | | | | | | | | |
| $LIUS \leq LVCS$ | Go off-hook and establish a modem connection. | | | | | | | | |

Table 10. Extended AT% Command Set (Command Defaults in Bold) (Continued)

| Command | Action |
|---------|--|
| %V2 | <p>Automatic Line Status Detection—Adaptive Method.</p> <p>Description: Before going off-hook with the ATD, ATO, or ATA commands, the Si2457/34/15/04 compares the line voltage (via LVCS) to the NLIU (U85) register:</p> <p><u>Loop Voltage</u> <u>Action</u></p> <p>$0 \leq LVCS \leq (0.0625 \times NLIU)$ Report “NO LINE” and remain on-hook.</p> <p>$(0.0625 \times NLIU) < LVCS \leq (0.85 \times NLIU)$ Report “LINE IN USE” and remain on-hook.</p> <p>$(0.85 \times NLIU) < LVCS$ Go off-hook and establish a modem connection.</p> <p>The NLIU register is updated every 1 ms with the minimum non-zero value of LVCS in the last 30 ms. This allows the Si2457/34/15/04 to eliminate errors due to 50/60 Hz interference and also adapt to relatively slow change in the on-hook dc reference value on the telephone line. This algorithm does not allow any non-zero values for NLIU below 0x0007. The host may also initialize NLIU prior to issuing the %V2 command. Once the call has begun, the off-hook intrusion algorithm (described in "4.12.2. Off-Hook Intrusion Detection" on page 19) operates normally. In addition, the Si2457/34/15/04 will report “NO LINE” if the telephone line is completely disconnected. If the HOI (U77, bit 11) bit is set, “LINE IN USE” is reported upon intrusion.</p> |

Table 11. Extended AT\ Command Set (Command Defaults in Bold)

| Command | Action |
|--|--|
| \\$ | Display AT\ command settings. |
| \Bn | Character length will be automatically set in autobaud mode |
| \B0 | 6N1—six data bits, no parity, one stop bit, one start bit, eight bits total (\N0 only) ¹ |
| \B1 | 7N1—seven data bits, no parity, one stop bit, one start bit, nine bits total (\N0 only) ¹ |
| \B2 | 7P1—seven data bits, parity optioned by \P, one stop bit, one start bit, 10 bits total |
| \B3 | 8N1—eight data bits, no parity, one stop bit, one start bit, 10 bits total |
| \B5 | 8P1—eight data bits, parity optioned by \P, one stop bit, one start bit, 11 bits total (\N0 only) |
| \B6 | 8X1—eight data bits, one escape bit, one stop bit, one start bit, 11 bits total (enables ninth-bit escape mode) |
| \Nn | Asynchronous protocol |
| \N0 | Wire mode (no error correction, no compression) |
| \N2 | MNP reliable mode. The Si2457/34/15/04 attempts to connect with the MNP protocol. If unsuccessful, the call is dropped. |
| \N3 | V.42 auto-reliable—The Si2457/34/15/04 attempts to connect with the V.42 protocol. If unsuccessful, the MNP protocol is attempted. If unsuccessful, wire mode is attempted. |
| \N4 | V.42 (LAPM) reliable mode (or drop call)—Same as \N3 except that the Si2457/34/15/04 drops the call instead of connecting in MNP or wire mode. |
| \N5 | V.42 and MNP reliable mode—The Si2457/34/15/04 attempts to connect with V.42. If unsuccessful, MNP is attempted. If MNP is unsuccessful, the call is dropped. |
| \Pn | Parity type will be automatically set in autobaud mode |
| \P0 | Even |
| \P1 | Space ¹ |
| \P2 | Odd |
| \P3 | Mark ¹ |
| \Qn | Modem-to-DTE flow control |
| \Q0 | Disable all flow control—This may only be used if the DTE speed and the VF speed are guaranteed to match throughout the call. |
| \Q2 | Use CTS only |
| Notes: | |
| <ol style="list-style-type: none"> 1. When in autobaud mode, \B0, \B1, and \P1 will not be detected automatically. The combination of \B2 and \P3 will be detected. This is compatible with seven data bits, no parity, two stop bits. Seven data bits, no parity, one stop bit may be forced by sending AT\T17\B1. 2. The autobaud feature does not detect this rate. 3. Default is \T9 if a pulldown resistor is connected to the autobaud strap pin; otherwise, the default is \T16. | |

Table 11. Extended AT Command Set (Command Defaults in Bold) (Continued)

| Command | Action |
|-------------|---|
| \Q3 | Use RTS/CTS |
| \Q4 | Use XON/XOFF flow control for modem-to-DTE interface. Does not enable modem-to-modem flow control. |
| \Tn | DTE rate—Change DTE rate. When the Si2457/34/15/04 is configured in autobaud mode (default), \T0 through \T15 will lock the new baud rate and disable autobaud. When the ISOmodem [®] is not in autobaud mode (the autobaud strap pin low on powerup), the result code “OK” is sent at the old DTE rate. Subsequent commands must be sent at the new rate. |
| \T0 | 300 bps |
| \T1 | 600 bps |
| \T2 | 1200 bps |
| \T3 | 2400 bps |
| \T4 | 4800 bps |
| \T5 | 7200 bps |
| \T6 | 9600 bps |
| \T7 | 12.0 kbps ² |
| \T8 | 14.4 kbps |
| \T9 | 19.2 kbps ³ |
| \T10 | 38.4 kbps |
| \T11 | 57.6 kbps |
| \T12 | 115.2 kbps |
| \T13 | 230.4 kbps |
| \T14 | 245.760 kbps ² |
| \T15 | 307.200 kbps |
| \T16 | Autobaud on³ |
| \T17 | Autobaud off; lock at current baud rate. |

Notes:

1. When in autobaud mode, \B0, \B1, and \P1 will not be detected automatically. The combination of \B2 and \P3 will be detected. This is compatible with seven data bits, no parity, two stop bits. Seven data bits, no parity, one stop bit may be forced by sending AT\T17\B1.
2. The autobaud feature does not detect this rate.
3. Default is \T9 if a pulldown resistor is connected to the autobaud strap pin; otherwise, the default is \T16.

Table 11. Extended AT Command Set (Command Defaults in Bold) (Continued)

| Command | Action |
|--|---|
| \U | Serial mode—causes a low pulse (25 ms) on \overline{RI} and \overline{DCD} . \overline{INT} to be the inverse of ESC. \overline{RTS} to be inverse of \overline{CTS} . Parallel mode—causes a low pulse (25 ms) on \overline{INT} . This command terminates with a \overline{RESET} . |
| \Vn | Connect message type |
| \V0 | Report connect message and protocol message |
| \V2 | Report connect message only (exclude protocol message) |
| \V4 | Report connect and protocol message with both upstream and downstream connect rates. |
| Notes: | |
| <ol style="list-style-type: none"> 1. When in autobaud mode, \B0, \B1, and \P1 will not be detected automatically. The combination of \B2 and \P3 will be detected. This is compatible with seven data bits, no parity, two stop bits. Seven data bits, no parity, one stop bit may be forced by sending AT\T17\B1. 2. The autobaud feature does not detect this rate. 3. Default is \T9 if a pulldown resistor is connected to the autobaud strap pin; otherwise, the default is \T16. | |

Table 12. Result Codes

| Numeric | Meaning | Verbal Response | X0 | X1 | X2 | X3 | X4 | X5 |
|---------|---|---|----|----|----|----|----|----|
| 0 | Command was successful | OK | X | X | X | X | X | X |
| 1 | Link established at 300 bps or higher | CONNECT | X | X | X | X | X | X |
| 2 | Incoming ring detected | RING | X | X | X | X | X | X |
| 3 | Link dropped | NO CARRIER | X | X | X | X | X | X |
| 4 | Command failed | ERROR | X | X | X | X | X | X |
| 5 | Link establish at 1200 | CONNECT 1200 | | X | X | X | X | X |
| 6 | Dial tone not present | NO DIALTONE | | | X | | X | X |
| 7 | Line busy | BUSY | | | | X | X | X |
| 8 | Remote not answering | NO ANSWER | X | X | X | X | X | X |
| 9 | Ringback detected | RINGING | | | | | | X |
| 10 | Link established at 2400 | CONNECT 2400 | | X | X | X | X | X |
| 11 | Link established at 4800 | CONNECT 4800 ¹ | | X | X | X | X | X |
| 12 | Link established at 9600 | CONNECT 9600 ¹ | | X | X | X | X | X |
| 14 | Link established at 19200 | CONNECT 19200 ¹ | | X | X | X | X | X |
| 15 | Link established at 7200 | CONNECT 7200 ¹ | | X | X | X | X | X |
| 16 | Link established at 12000 | CONNECT 12000 ¹ | | X | X | X | X | X |
| 17 | Link established at 14400 | CONNECT 14400 ¹ | | X | X | X | X | X |
| 18 | Link established at 16800 | CONNECT 16800 ² | | X | X | X | X | X |
| 19 | Link established at 21600 | CONNECT 21600 ² | | X | X | X | X | X |
| 20 | Link established at 24000 | CONNECT 24000 ² | | X | X | X | X | X |
| 21 | Link established at 26400 | CONNECT 26400 ² | | X | X | X | X | X |
| 22 | Link established at 28800 | CONNECT 28800 ² | | X | X | X | X | X |
| 23 | Link established at 31200 | CONNECT 31200 ² | | X | X | X | X | X |
| 24 | Link established at 33600 | CONNECT 33600 ² | | X | X | X | X | X |
| 30 | Caller ID mark detected | CIDM | X | X | X | X | X | X |
| 31 | Hookswitch flash detected | FLASH | X | X | X | X | X | X |
| 32 | UK CID State Tone Alert Signal detected | STAS | X | X | X | X | X | X |
| 33 | Overcurrent condition | X ² | X | X | X | X | X | X |
| 40 | Blacklist is full | BLACKLIST FULL (enabled via S42 register) | X | X | X | X | X | X |
| 41 | Attempted number is black-listed. | BLACKLISTED (enabled via S42 register) | X | X | X | X | X | X |
| 42 | No phone line present | NO LINE (enabled via %Vn commands) | X | X | X | X | X | X |

Notes:

1. This message is only supported on the Si2457, Si2434, and Si2415.
2. This message is only supported on the Si2457 and Si2434.
3. X is the only verbal response code that does not follow the <CR><LF>Result Code<CR><LF> standard. There is no leading <CR><LF>.
4. This message is only supported on the Si2457.

Table 12. Result Codes (Continued)

| Numeric | Meaning | Verbal Response | X0 | X1 | X2 | X3 | X4 | X5 |
|---------|--------------------------------------|---|-----------------------|----|----|----|----|----|
| 43 | Telephone line is in use | LINE IN USE (enabled via %Vn commands) | X | X | X | X | X | X |
| 44 | A polarity reversal was detected | POLARITY REVERSAL (enabled via G modifier) | X | X | X | X | X | X |
| 45 | A polarity reversal was NOT detected | NO POLARITY REVERSAL (enabled via G modifier) | X | X | X | X | X | X |
| 52 | Link established at 56000 | CONNECT 56000 ⁴ | | X | X | X | X | X |
| 60 | Link established at 32000 | CONNECT 32000 ⁴ | | X | X | X | X | X |
| 61 | Link established at 48000 | CONNECT 48000 ⁴ | | X | X | X | X | X |
| 63 | Link established at 28000 | CONNECT 28000 ⁴ | | X | X | X | X | X |
| 64 | Link established at 29333 | CONNECT 29333 ⁴ | | X | X | X | X | X |
| 65 | Link established at 30666 | CONNECT 30666 ⁴ | | X | X | X | X | X |
| 66 | Link established at 33333 | CONNECT 33333 ⁴ | | X | X | X | X | X |
| 67 | Link established at 34666 | CONNECT 34666 ⁴ | | X | X | X | X | X |
| 68 | Link established at 36000 | CONNECT 36000 ⁴ | | X | X | X | X | X |
| 69 | Link established at 37333 | CONNECT 37333 ⁴ | | X | X | X | X | X |
| 70 | No protocol | PROTOCOL: NONE | Set with \V0 command. | | | | | |
| 75 | Link established at 75 | CONNECT 75 | | X | X | X | X | X |
| 77 | V.42 protocol | PROTOCOL: V42 | Set with \V0 command. | | | | | |
| 79 | V.42bis protocol | PROTOCOL: V42bis | Set with \V0 command. | | | | | |
| 80 | MNP2 protocol | PROTOCOL: ALTERNATE, + CLASS 2 | Set with \V command. | | | | | |
| 81 | MNP3 protocol | PROTOCOL: ALTERNATE, + CLASS 3 | Set with \V command. | | | | | |
| 82 | MNP4 protocol | PROTOCOL: ALTERNATE, + CLASS 4 | Set with \V command. | | | | | |
| 83 | MNP5 protocol | PROTOCOL: ALTERNATE, + CLASS 5 | | X | X | X | X | X |
| 90 | Link established at 38666 | CONNECT 38666 ⁴ | | X | X | X | X | X |
| 91 | Link established at 40000 | CONNECT 40000 ⁴ | | X | X | X | X | X |
| 92 | Link established at 41333 | CONNECT 41333 ⁴ | | X | X | X | X | X |
| 93 | Link established at 42666 | CONNECT 42666 ⁴ | | X | X | X | X | X |
| 94 | Link established at 44000 | CONNECT 44000 ⁴ | | X | X | X | X | X |
| 95 | Link established at 45333 | CONNECT 45333 ⁴ | | X | X | X | X | X |
| 96 | Link established at 46666 | CONNECT 46666 ⁴ | | X | X | X | X | X |
| 97 | Link established at 49333 | CONNECT 49333 ⁴ | | X | X | X | X | X |
| 98 | Link established at 50666 | CONNECT 50666 ⁴ | | X | X | X | X | X |

Notes:

1. This message is only supported on the Si2457, Si2434, and Si2415.
2. This message is only supported on the Si2457 and Si2434.
3. X is the only verbal response code that does not follow the <CR><LF>Result Code<CR><LF> standard. There is no leading <CR><LF>.
4. This message is only supported on the Si2457.

Table 12. Result Codes (Continued)

| Numeric | Meaning | Verbal Response | X0 | X1 | X2 | X3 | X4 | X5 |
|----------------|---|----------------------------|-----------|-----------|-----------|-----------|-----------|-----------|
| 99 | Link established at 52000 | CONNECT 52000 ⁴ | | X | X | X | X | X |
| 100 | Link established at 53333 | CONNECT 53333 ³ | | X | X | X | X | X |
| 101 | Link established at 54666 | CONNECT 54666 ³ | | X | X | X | X | X |
| 102 | DTMF dial attempted on a pulse dial only line | UN-OBTAINABLE NUMBER | X | X | X | X | X | X |

Notes:

1. This message is only supported on the Si2457, Si2434, and Si2415.
2. This message is only supported on the Si2457 and Si2434.
3. X is the only verbal response code that does not follow the <CR><LF>Result Code<CR><LF> standard. There is no leading <CR><LF>.
4. This message is only supported on the Si2457.

5. S-Registers

The S command allows reading (Sn?) or writing (Sn = x) the S-registers. The S-registers store values for functions that typically are rarely changed, such as timers or counters, and the ASCII values of control characters, such as carriage return. Table 13 summarizes the S-register set.

Table 13. S-Register Description

| Definition | | | | |
|----------------------|---|-------------------|-------|-------------|
| S-Register (Decimal) | Function | Default (Decimal) | Range | Units |
| 0 | Automatic answer—Number of rings the Si2457/34/15/04 must detect before answering a call. 0 disables auto answer. | 0 | 0–255 | Rings |
| 1 | Ring counter. | 0 | 0–255 | Rings |
| 2 | ESC code character. | 43 (+) | 0–255 | ASCII |
| 3 | Carriage return character. | 13 (CR) | 0–255 | ASCII |
| 4 | Linefeed character. | 10 (LF) | 0–255 | ASCII |
| 5 | Backspace character. | 08 (BS) | 0–255 | ASCII |
| 6 | Dial tone wait timer—Number of seconds the Si2457/34/15/04 waits before blind dialing. Only applicable if blind dialing is enabled (X0, X1, X3). | 02 | 0–255 | seconds |
| 7 | Carrier wait timer—Number of seconds the Si2457/34/15/04 waits for carrier before timing out. This register also sets the number of seconds the modem waits for ringback when originating a call before hanging up. This register also sets the number of seconds the answer tone will continue while using the AT*Y2A command. | 80 | 0–255 | seconds |
| 8 | Dial pause timer for , and < dial command modifiers. | 02 | 0–255 | seconds |
| 9 | Carrier presence timer—Time after a loss of carrier that a carrier must be detected before reactivating DCD. S9 is referred to as “carrier loss debounce time.” | 06 | 1–255 | 0.1 second |
| 10 | Carrier loss timer—Time the carrier must be lost before the Si2457/34/15/04 disconnects. Setting 255 disables disconnect entirely. If S10 is less than S9, even a momentary loss of carrier causes a disconnect. | 14 | 1–255 | 0.1 second |
| 12 | Escape code guard timer—Minimum guard time required before and after “+++” for the Si2457/34/15/04 to recognize a valid escape sequence. | 50 | 1–255 | 0.02 second |
| 14 | Wait for dial tone delay value (in relation to the W dial modifier). Starts when “W” is executed in the dial string. | 12 | 0–255 | seconds |

Table 13. S-Register Description (Continued)

| Definition | | | | |
|----------------------|--|-------------------|-------|---------|
| S-Register (Decimal) | Function | Default (Decimal) | Range | Units |
| 24 | Sleep Inactivity Time—Sets the time that the modem operates in normal power mode with no activity on the serial port, parallel port, or telephone line before entering low-power sleep mode. This feature is disabled if the timer is set to 0. | 0 | 0–255 | seconds |
| 30 | Disconnect Activity Timer—Sets the length of time that the modem stays online before disconnecting with no activity on the serial port, parallel port, or telephone line (Ring, hookswitch flash, or caller ID). This feature is disabled if set to 0. | 0 | 0–255 | minutes |
| 38 | Hang Up Delay Time—Maximum delay between receipt of ATH0 command and hang up. If time out occurs before all data can be sent, the NO CARRIER (3) result code is sent (operates in V.42 mode only). “OK” response is sent if all data is transmitted before timeout. S38 = 255 disables timeout and modem disconnects only if data is successfully sent or carrier is lost. | 20 | 0–255 | seconds |
| 40 | Data Pattern—Data pattern generated during &T4 and &T5 transmit tests. 0 = All spaces (0s) 1 = All marks (1s) 2 = Random data | 0 | 0–2 | |
| 41 | V.34 symbol rate - Symbol rate for V.34 when using the &T4 and &T5 commands. 0 = 2400 symbols/second 1 = 2743 symbols/second 2 = 2800 symbols/second 3 = 3000 symbols/second 4 = 3200 symbols/second 5 = 3429 symbols/second A valid combination of symbol rate (S41) and data rate (&G) must be selected. <u>Symbol Rate</u> <u>Allowable Data Rates</u> 2400 2400–21600 2743 4800–26400 2800 4800–26400 3000 4800–28800 3200 4800–31200 3429 4800–33600 | 0 | 0–5 | |

Table 13. S-Register Description (Continued)

| Definition | | | | |
|----------------------|---|-------------------|-------|---------|
| S-Register (Decimal) | Function | Default (Decimal) | Range | Units |
| 42 | Blacklisting—The Si2457/34/15/04 will not dial the same number more than two times in three minutes. An attempt to dial a third time within three minutes will result in a “BLACKLISTED” result code. If the blacklist memory is full, any dial to a new number will result in a “BLACKLIST FULL” result code. Numbers are added to the blacklist only if the modem connection fails. The %B command will list the numbers on the blacklists. 0 = disabled 1 = enabled | 0 (disabled) | 0–1 | |
| 43 | Dial Attempts to Blacklist. When blacklisting is enabled with S42, this value controls the number of dial attempts that will result in a number being blacklisted. | 4 | 0–4 | |
| 44 | Blacklist Timer. Period during which blacklisting is active. | 180 | 0–255 | seconds |
| 50 | Minimum on-hook time—Modem will remain on-hook for S50 seconds. Any attempt to go off-hook will be delayed until this timer expires. | 3 | 0–255 | seconds |
| 51 | Number to start checking for an outside line on a PBX. See &X command for details. | 1 | 0–9 | |

6. User-Access Registers (U-Registers)

U-Registers are 16-bit registers written by the AT:Uaa command and read by the AT:R (read all U-Registers) or AT:Raa (read U-Register aa) commands (see the AT command list in Table 11 on page 35). Many aspects of the modem's and DAA's behavior can be enabled/disabled, configured, monitored, and/or modified through U-Registers; however, most of them will not be needed in normal use.

There are two types of U-Registers. The first represents a single 16-bit term, such as a filter coefficient, threshold, delay, or other quantity. These registers can be read from or written to as a single 16-bit value. The second type of U-Register is bit-mapped. Bit-mapped registers are written and/or read in hexadecimal, but each bit or combination of bits in the register represents an independent value or status information. These individual bits are used to enable or disable features and indicate states.

Some U-Registers are reserved and not available to the user. Therefore, there are gaps in the available U-Register address map. Additionally, some bits within available U-Registers are reserved. Any attempt to write a non-zero value to a reserved U-Register or bit may cause unpredictable modem operation.

With over 100 U-Registers, the Si2457/34/15/04 offers an unprecedented level of programmability for a controller-based modem. A detailed list of these registers and their use is beyond the scope of this data sheet. Refer to "AN93: ISModem[®] Chipset Family Designer's Guide" for details.

7. Pin Descriptions: Si2457/34/15/04 (16-Pin Option)



| Pin # | Pin Name | Description |
|-------|----------------|--|
| 1 | CLKIN/XTALI | XTALI—Crystal Oscillator Pin. Provides support for parallel resonant AT cut crystals. A 4.9152 MHz or 32.768 kHz crystal or a 32.768 kHz or 4.9152 or 27 MHz clock on XTALI is required. |
| 2 | XTALO | XTALO—Crystal Oscillator Pin. Serves as the output of the crystal amplifier. |
| 3 | RI | Ring Indicator. The RI on (active low) indicates the presence of an ON segment of a ring signal on the telephone line. |
| 4 | V _D | Supply Voltage. Provides the 3.3 V supply voltage to the Si2457/34/15/04. |
| 5 | MISO/RXD | Master In Slave Out/Receive Data. Serial data output from modem in SPI mode. Data output to DTE RXD pin in UART mode. |
| 6 | MOSI/TXD | Master Out Slave In/Transmit Data. Serial data input to modem in SPI mode. Data input from DTE TXD pin in UART mode. |
| 7 | SCLK/CTS | Serial Data Clock/Clear to Send. Signals that the Si2457/34/15/04 is ready to receive more digital data on the TXD pin. Serial data clock input in SPI mode. |
| 8 | RESET | Reset Input. An active low input that is used to reset all control registers to a defined, initialized state. |
| 9 | C2A | Isolation Capacitor 2A. Connects to one side of the isolation capacitor C2. |
| 10 | C1A | Isolation Capacitor 1A. Connects to one side of the isolation capacitor C1. |
| 11 | INT | Interrupt Output. Active low interrupt output. |

Si2457/34/15/04

| Pin # | Pin Name | Description |
|-------|----------------------------|--|
| 12 | GND | Ground. Connects to the system digital ground. |
| 13 | V _A | Regulator Voltage Reference. Connects to an external capacitor and serves as the reference for the internal voltage regulator. |
| 14 | ESC | Escape. A positive edge on this pin causes the modem to go from online (connected) mode to the offline (command) mode. |
| 15 | $\overline{\text{DCD}}$ | Carrier Detect. Active low carrier detect. |
| 16 | $\overline{\text{SS/RTS}}$ | SPI Slave Select/Request to Send. Active low slave select in SPI mode. Active low request to send input used for flow control in UART mode. |

8. Pin Descriptions: Si2457/34/15/04 (24-Pin Option)



| Pin # | Pin Name | Description |
|-------|---|--|
| 1 | CLKIN/XTALI | Clock Input/Crystal Oscillator Pin. Provides support for parallel resonant AT cut crystals. A 4.9152 MHz or 32.768 kHz crystal or a 32.768 kHz or 4.9152 or 27 MHz clock on XTALI is required. |
| 2 | XTALO | Crystal Oscillator Pin. Serves as the output of the crystal amplifier. |
| 3 | $\overline{\text{CLK-OUT}}/\text{EECS}/\text{A0}$ | Clock Output/EEPROM Chip Select/Address Bit 0. Clock output in serial mode. Active low read/write enable for SPI EEPROM in serial mode when pin 4 is pulled low during powerup. Address Enable in parallel mode. |
| 4 | $\overline{\text{FSYNC}}/\text{D6}$ | Frame Sync/Data Bit. Frame Sync output to codec in serial mode. Bidirectional parallel bus data bit 6 in parallel mode. |
| 5, 21 | VD3.3 | Digital Supply Voltage. Provides the 3.3 V supply voltage to the Si2457/34/15/04. |
| 6, 20 | GND | Ground. Connects to the system digital ground. |
| 7, 19 | VDA, VDB | Regulator Voltage Reference. Connects to an external capacitor and serves as the reference for the internal voltage regulator. |
| 8 | $\overline{\text{SS}}/\text{RTS}/\text{D7}$ | SPI Slave Select/Request to Send/Data Bit. Active low slave select in SPI mode. Active low request to send input used for flow control in UART mode. Bidirectional parallel bus data bit 7 in parallel mode. |

Si2457/34/15/04

| Pin # | Pin Name | Description |
|-------|--|---|
| 9 | MISO/RXD/ \overline{RD} | Master In Slave Out/Receive Data/Read Enable. Serial data output from modem in SPI mode. Data output to DTE RXD pin in UART mode. Active low read enable pin in parallel mode. |
| 10 | MOSI/TXD/ \overline{WR} | Master Out Slave In/Transmit Data/Write Enable. Serial data input to modem in SPI mode. Data input from DTE TXD pin in serial mode. Active low write enable pin in parallel mode. |
| 11 | SCLK/ \overline{CTS} / \overline{CS} | Serial Data Clock/Clear to Send/Chip Select. Serial data clock input in SPI mode. Signals that the Si2457/34/15/04 is ready to receive more digital data on the TXD pin in data mode. Active low chip select in parallel mode. |
| 12 | \overline{RESET} | Reset Input. An active low input that is used to reset all control registers to a defined initialized state. |
| 13 | C2A | Isolation Capacitor 2A. Connects to one side of the isolation capacitor, C2. |
| 14 | C1A | Isolation Capacitor 1A. Connects to one side of the isolation capacitor, C1. |
| 15 | AOUT/ \overline{INT} | Analog Output/Interrupt Output. Analog output in serial mode. Active low interrupt output in parallel mode. |
| 16 | \overline{INT} /D0 | Interrupt Output/Data Bit. Active low interrupt output in serial mode. Bidirectional parallel bus data bit 0 in parallel mode. |
| 17 | \overline{RI} /D1 | Ring Indicator/Data Bit. The \overline{RI} on (active low) indicates the presence of an ON segment of a ring signal on the telephone line. Bidirectional parallel bus data bit 1 in parallel mode. |
| 18 | SDI/EESD/D2 | Serial Data In/EEPROM Serial Data Input/Output/Data Bit. Serial Data In (to codec) output in serial mode. Bidirectional Input/Output to SPI EEPROM in serial mode when pin 4 is pulled low during power up. Bidirectional parallel bus data bit 2 in parallel mode. |
| 22 | ESC/D3 | Escape/Data Bit. Hardware escape in serial mode. Bidirectional parallel bus data bit 3 in parallel mode. |
| 23 | \overline{DCD} /D4 | Carrier Detect/Data Bit. Active low carrier detect in serial mode. Bidirectional parallel bus data bit 4 in parallel mode. |
| 24 | SDO/EECLK/D5 | Serial Data Out/EEPROM Clock/Data Bit 5. Serial Data Out (from codec) input in serial mode. Clock output for SPI EEPROM in serial mode when pin 4 is pulled low during power up. Bidirectional parallel bus data bit 5 in parallel mode. |

9. Pin Descriptions: Si3018/10

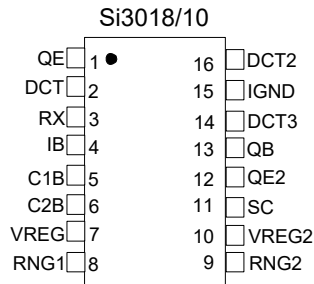


Table 14. Si3018/10 Pin Descriptions

| Pin # | Pin Name | Description |
|-------|----------|---|
| 1 | QE | Transistor Emitter. Connects to the emitter of Q3. |
| 2 | DCT | DC Termination. Provides dc termination to the telephone network. |
| 3 | RX | Receive Input. Serves as the receive side input from the telephone network. |
| 4 | IB | Internal Bias. Provides a bias voltage to the device. |
| 5 | C1B | Isolation Capacitor 1B. Connects to one side of isolation capacitor C1 and communicates with the system side. |
| 6 | C2B | Isolation Capacitor 2B. Connects to one side of isolation capacitor C2 and communicates with the system side. |
| 7 | VREG | Voltage Regulator. Connects to an external capacitor to provide bypassing for an internal power supply. |
| 8 | RNG1 | Ring 1. Connects through a resistor to the RING lead of the telephone line. Provides the ring and caller ID signals to the Si2457/34/15/04. |
| 9 | RNG2 | Ring 2. Connects through a resistor to the TIP lead of the telephone line. Provides the ring and caller ID signals to the Si2457/34/15/04. |
| 10 | VREG2 | Voltage Regulator 2. Connects to an external capacitor to provide bypassing for an internal power supply. |
| 11 | SC | SC Connection. Enables external transistor network. Should be tied through a 0 Ω resistor to I _{GND} . |
| 12 | QE2 | Transistor Emitter 2. Connects to the emitter of Q4. |
| 13 | QB | Transistor Base. Connects to the base of transistor Q4. |
| 14 | DCT3 | DC Termination 3. Provides the dc termination to the telephone network. |
| 15 | IGND | Isolated Ground. Connects to ground on the line-side interface. |
| 16 | DCT2 | DC Termination 2. Provides dc termination to the telephone network. |

10. Ordering Guide

| Chipset | Max Speed | System-Side Package | System-Side* | Line-Side* | Temp Range |
|---------|-----------|---------------------|--------------|-------------|---------------|
| Si2457 | 56 kbps | 24-pin TSSOP | Si2457-D-FT | Si3018-F-FS | 0 to 70 °C |
| Si2457 | 56 kbps | 16-pin SOIC | Si2457-D-FS | Si3018-F-FS | 0 to 70 °C |
| Si2434 | 33.6 kbps | 24-pin TSSOP | Si2434-D-FT | Si3018-F-FS | 0 to 70 °C |
| Si2434 | 33.6 kbps | 16-pin SOIC | Si2434-D-FS | Si3018-F-FS | 0 to 70 °C |
| Si2415 | 14.4 kbps | 24-pin TSSOP | Si2415-D-FT | Si3018-F-FS | 0 to 70 °C |
| Si2415 | 14.4 kbps | 16-pin SOIC | Si2415-D-FS | Si3018-F-FS | 0 to 70 °C |
| Si2404 | 2400 bps | 24-pin TSSOP | Si2404-D-FT | Si3010-F-FS | 0 to 70 °C |
| Si2404 | 2400 bps | 16-pin SOIC | Si2404-D-FS | Si3010-F-FS | 0 to 70 °C |
| Si2457 | 56 kbps | 24-pin TSSOP | Si2457-D-GT | Si3018-F-GS | -40 to +85 °C |
| Si2434 | 33.6 kbps | 24-pin TSSOP | Si2434-D-GT | Si3018-F-GS | -40 to +85 °C |
| Si2415 | 14.4 kbps | 24-pin TSSOP | Si2415-D-GT | Si3018-F-GS | -40 to +85 °C |
| Si2404 | 2400 bps | 24-pin TSSOP | Si2404-D-GT | Si3018-F-GS | -40 to +85 °C |

***Note:** Add an "R" at the end of the device to denote tape and reel option.

11. Package Markings (Top Markings)

Codes for the Si2457-D-FT, Si2457-D-FS, Si2434-D-FT, Si2434-D-FS, Si2415-D-FT, Si2415-D-FS, Si2404-D-FT, Si2404-D-FS, Si3018-F-FS, and Si3010-F-FS top marks are as follows:

- YY = Current Year
- WW = Work Week
- R = Die Revision
- TTTTT = Trace Code
- XX = Assembly Country Code

11.1. Si2457-D-FT Top Marking

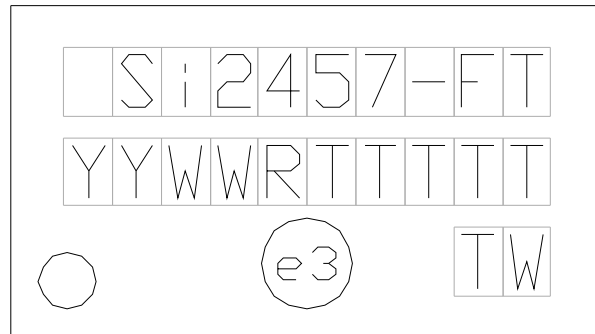


Figure 11. Si2457-D-FT Top Marking

11.2. Si2457-D-FS Top Marking

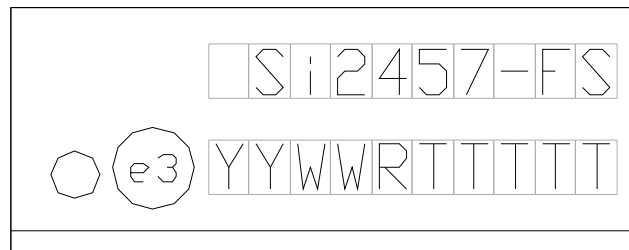


Figure 12. Si2457-D-FS Top Marking

11.3. Si2434-D-FT Top Marking

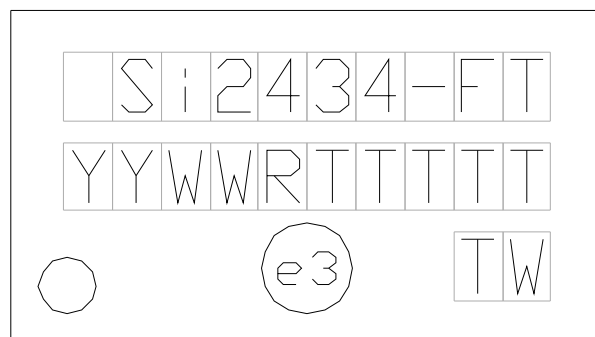


Figure 13. Si2434-D-FT Top Marking

11.4. Si2434-D-FS Top Marking

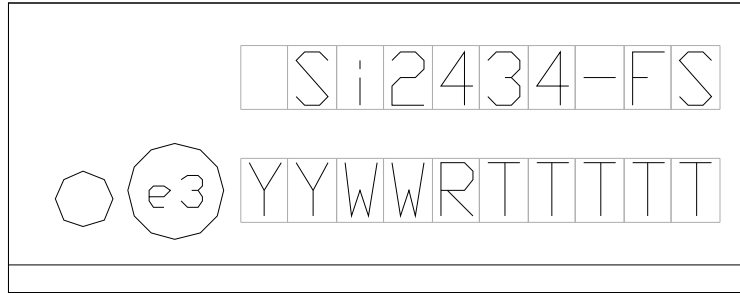


Figure 14. Si2434-D-FS Top Marking

11.5. Si2415-D-FT Top Marking

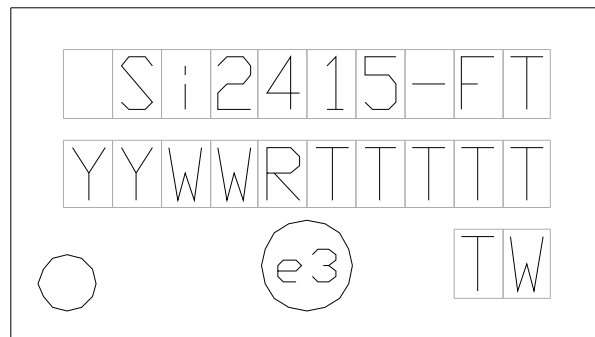


Figure 15. Si2415-D-FT Top Marking

11.6. Si2415-D-FS Top Marking

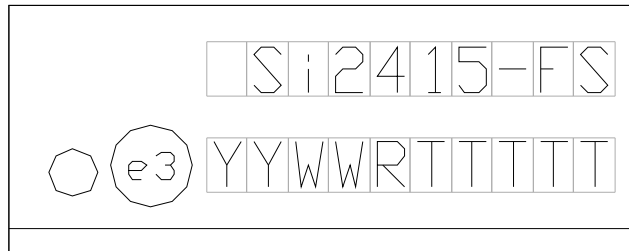


Figure 16. Si2415-D-FS Top Marking

11.7. Si2404-D-FT Top Marking



Figure 17. Si2404-D-FT Top Marking

11.8. Si2404-D-FS Top Marking

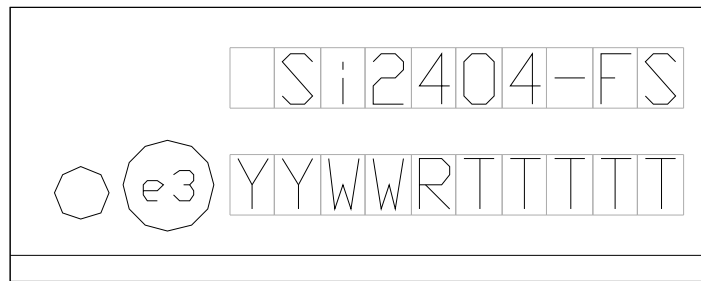


Figure 18. Si2404-D-FS Top Marking

11.9. Si3010-F-FS Top Marking



Figure 19. Si3010-F-FS Top Marking

11.10. Si3018-F-FS Top Marking

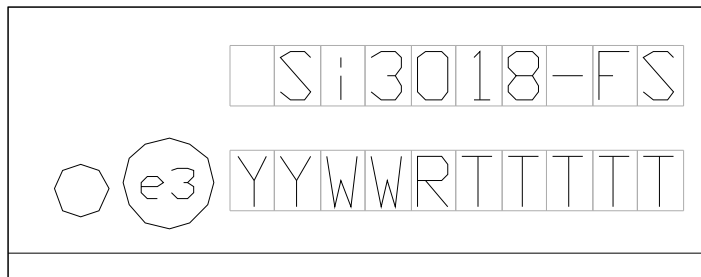


Figure 20. Si3018-F-FS Top Marking

12. Package Outline: 24-Pin TSSOP

Figure 21 illustrates the package details for the Si2457/34/15/04 24-pin packaging option. Table 15 lists the values for the dimensions shown in the illustration.

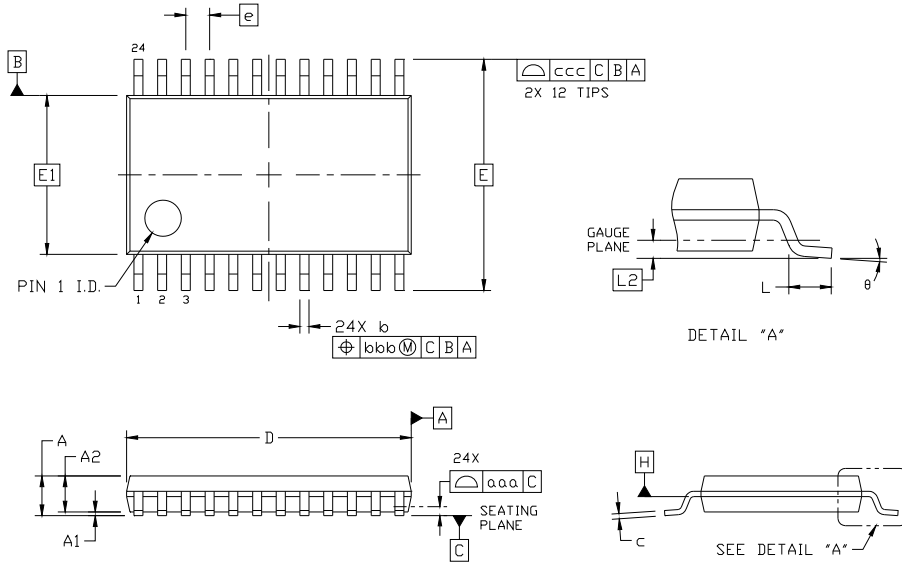


Figure 21. 24-Pin Thin Shrink Small Outline Package (TSSOP)

Table 15. Package Diagram Dimensions

| Dimension | Min | Nom | Max |
|--|----------|------|------|
| A | — | — | 1.20 |
| A1 | 0.05 | — | 0.15 |
| A2 | 0.80 | 1.00 | 1.05 |
| b | 0.19 | — | 0.30 |
| c | 0.09 | — | 0.20 |
| D | 7.70 | 7.80 | 7.90 |
| E | 6.40 BSC | | |
| E1 | 4.30 | 4.40 | 4.50 |
| e | 0.65 BSC | | |
| L | 0.45 | 0.60 | 0.75 |
| L2 | 0.25 BSC | | |
| θ | 0° | — | 8° |
| aaa | 0.10 | | |
| bbb | 0.10 | | |
| ccc | 0.20 | | |
| Notes: | | | |
| 1. All dimensions shown are in millimeters (mm) unless otherwise noted. | | | |
| 2. Dimensioning and Tolerancing per ANSI Y14.5M-1994. | | | |
| 3. This drawing conforms to the JEDEC Solid State Outline MO-153, Variation AD. | | | |
| 4. Recommended card reflow profile is per the JEDEC/IPC J-STD-020 specification for Small Body Components. | | | |

13. 24-Pin TSSOP Land Pattern

Figure 22 illustrates the recommended land pattern for the Si2457/34/15/04 24-Pin TSSOP. Table 16 lists the values for the dimensions shown in the illustration.

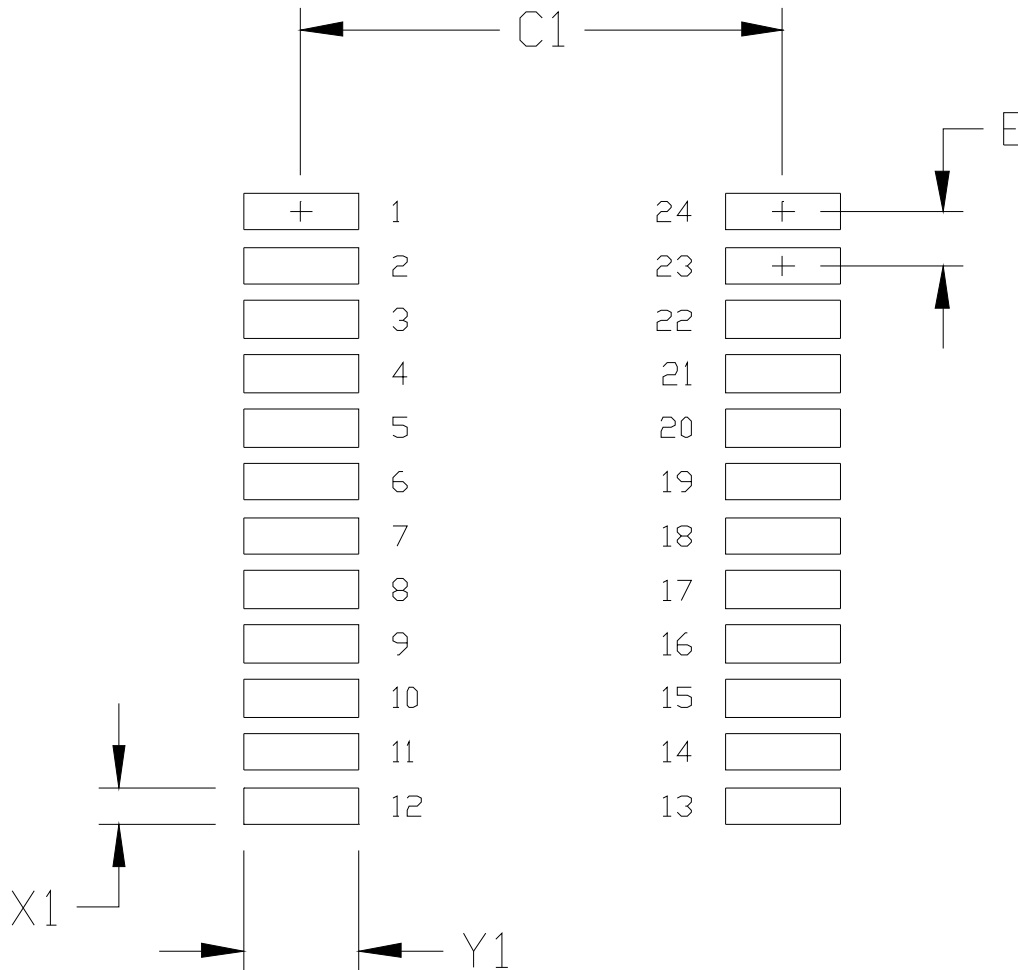


Figure 22. 24-Pin TSSOP Land Pattern Diagram

Table 16. 24-Pin TSSOP PCB Land Pattern

| Dimension | Feature | (mm) |
|---|--------------------|------|
| C1 | Pad Column Spacing | 5.80 |
| E | Pad Row Pitch | 0.65 |
| X1 | Pad Width | 0.45 |
| Y1 | Pad Length | 1.40 |
| Notes: | | |
| <ol style="list-style-type: none"> 1. This Land Pattern Design is based on IPC-7351 specifications for Density Level B (Median Land Protrusion). 2. All feature sizes shown are at Maximum Material Condition (MMC) and a card fabrication tolerance of 0.05 mm is assumed. | | |

14. Package Outline: 16-Pin SOIC

Figure 23 illustrates the package details for the Si2457/34/15/04 16-pin packaging option. Table 17 lists the values for the dimensions shown in the illustration.

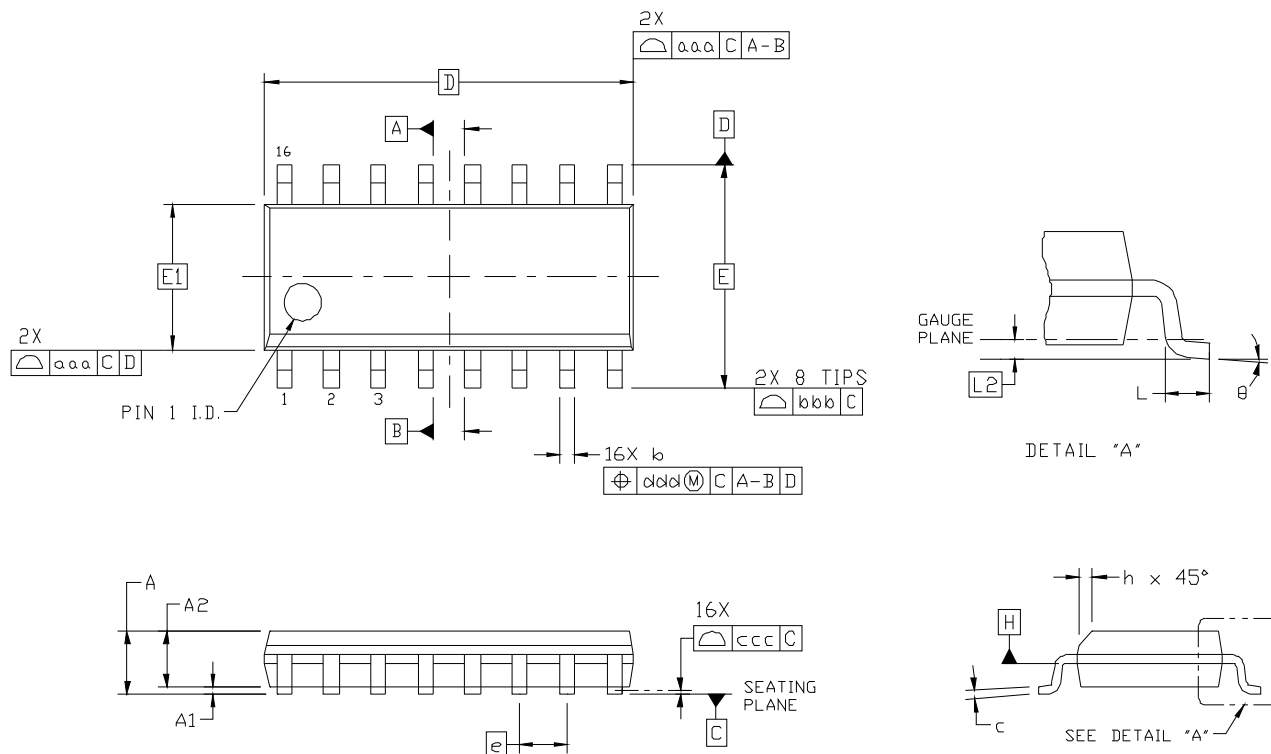


Figure 23. 16-Pin Small Outline Integrated Circuit (SOIC) Package

Table 17. Package Diagram Dimensions

| Dimension | Min | Max |
|---|----------|------|
| A | — | 1.75 |
| A1 | 0.10 | 0.25 |
| A2 | 1.25 | — |
| b | 0.31 | 0.51 |
| c | 0.17 | 0.25 |
| D | 9.90 BSC | |
| E | 6.00 BSC | |
| E1 | 3.90 BSC | |
| e | 1.27 BSC | |
| L | 0.40 | 1.27 |
| L2 | 0.25 BSC | |
| h | 0.25 | 0.50 |
| θ | 0° | 8° |
| aaa | 0.10 | |
| bbb | 0.20 | |
| ccc | 0.10 | |
| ddd | 0.25 | |
| Notes: | | |
| <ol style="list-style-type: none"> 1. All dimensions shown are in millimeters (mm) unless otherwise noted. 2. Dimensioning and Tolerancing per ANSI Y14.5M-1994. 3. This drawing conforms to the JEDEC Solid State Outline MS-012, Variation AC. 4. Recommended card reflow profile is per the JEDEC/IPC J-STD-020 specification for Small Body Components. | | |

15. 16-Pin SOIC Land Pattern

Figure 24 illustrates the recommended land pattern for the Si2457/34/15/04 16-Pin SOIC. Table 18 lists the values for the dimensions shown in the illustration.

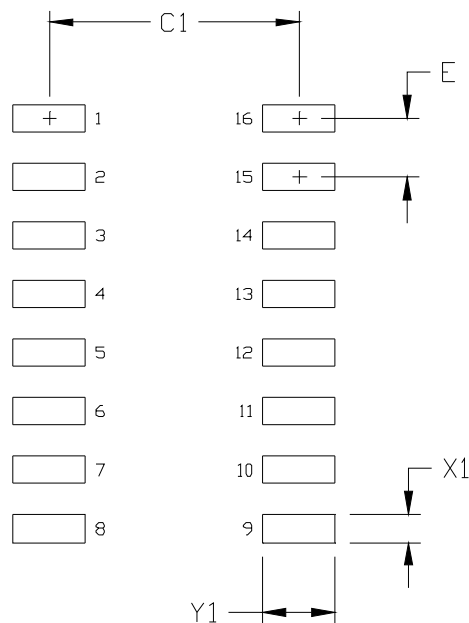


Figure 24. 16-Pin SOIC Land Pattern Diagram

Table 18. 16-Pin SOIC Land Pattern Dimensions

| Dimension | Feature | (mm) |
|-----------|--------------------|------|
| C1 | Pad Column Spacing | 5.40 |
| E | Pad Row Pitch | 1.27 |
| X1 | Pad Width | 0.60 |
| Y1 | Pad Length | 1.55 |

Notes:

General

1. All dimensions shown are in millimeters (mm) unless otherwise noted.
2. Dimensioning and Tolerancing per ASME Y14.5M-1994.
3. This Land Pattern Design is based on the IPC-7351 guidelines.
4. All dimensions shown are at Maximum Material Condition (MMC). Least Material Condition (LMC) is calculated based on a Fabrication Allowance of 0.05 mm.

Solder Mask Design

5. All metal pads are to be non-solder mask defined (NSMD). Clearance between the solder mask and the metal pad is to be 60 μm minimum, all the way around the pad.

Stencil Design

6. A stainless steel, laser-cut and electro-polished stencil with trapezoidal walls should be used to assure good solder paste release.
7. The stencil thickness should be 0.125 mm (5 mils).
8. The ratio of stencil aperture to land pad size should be 1:1.

Card Assembly

9. A No-Clean, Type-3 solder paste is recommended.
10. The recommended card reflow profile is per the JEDEC/IPC J-STD-020 specification for Small Body Components.

DOCUMENT CHANGE LIST

Revision 0.91 to Revision 1.0

- Added Figure 5 typical schematic with 16-pin system-side option.
- Updated Table 3 to include 16-pin system-side parameters.
- Updated default register setting in Table 16.
- Added Si2404 information.
- Added 16-pin system-side option.
- Updated "4. Functional Description" on page 17.
- Added "7. Pin Descriptions: Si2457/34/15/04 (16-Pin Option)" on page 45.
- Updated "10. Ordering Guide" on page 50 to reflect part revision.

Revision 1.0 to Revision 1.1

- Added industrial temperature range devices.

Revision 1.1 to Revision 1.2

- Added Revision D additions and changes:
 - 32.768 kHz oscillator option
 - SPI interface
- Moved U-Register details to AN93.
- Added package markings.

Revision 1.2 to Revision 1.3

- Removed 5 V interface logic support.
- Lowered digital input voltage V_{IND} max from 5.3 V to $(V_D + 0.3)$ V.
- Lowered total supply current (typ) from 26 to 17 mA.
- Added total supply current, wake-on-ring specification.



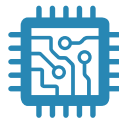
SKYWORKS®

**Connecting Everyone
and Everything,
All the Time**



Portfolio

www.skyworksinc.com



Quality

www.skyworksinc.com/quality



Support & Resources

www.skyworksinc.com/support

Copyright © 2021 Skyworks Solutions, Inc. All Rights Reserved.

Information in this document is provided in connection with Skyworks Solutions, Inc. ("Skyworks") products or services. These materials, including the information contained herein, are provided by Skyworks as a service to its customers and may be used for informational purposes only by the customer. Skyworks assumes no responsibility for errors or omissions in these materials or the information contained herein. Skyworks may change its documentation, products, services, specifications or product descriptions at any time, without notice. Skyworks makes no commitment to update the materials or information and shall have no responsibility whatsoever for conflicts, incompatibilities, or other difficulties arising from any future changes.

No license, whether express, implied, by estoppel or otherwise, is granted to any intellectual property rights by this document. Skyworks assumes no liability for any materials, products or information provided hereunder, including the sale, distribution, reproduction or use of Skyworks products, information or materials, except as may be provided in Skyworks' Terms and Conditions of Sale.

THE MATERIALS, PRODUCTS AND INFORMATION ARE PROVIDED "AS IS" WITHOUT WARRANTY OF ANY KIND, WHETHER EXPRESS, IMPLIED, STATUTORY, OR OTHERWISE, INCLUDING FITNESS FOR A PARTICULAR PURPOSE OR USE, MERCHANTABILITY, PERFORMANCE, QUALITY OR NON-INFRINGEMENT OF ANY INTELLECTUAL PROPERTY RIGHT; ALL SUCH WARRANTIES ARE HEREBY EXPRESSLY DISCLAIMED. SKYWOKS DOES NOT WARRANT THE ACCURACY OR COMPLETENESS OF THE INFORMATION, TEXT, GRAPHICS OR OTHER ITEMS CONTAINED WITHIN THESE MATERIALS. SKYWOKS SHALL NOT BE LIABLE FOR ANY DAMAGES, INCLUDING BUT NOT LIMITED TO ANY SPECIAL, INDIRECT, INCIDENTAL, STATUTORY, OR CONSEQUENTIAL DAMAGES, INCLUDING WITHOUT LIMITATION, LOST REVENUES OR LOST PROFITS THAT MAY RESULT FROM THE USE OF THE MATERIALS OR INFORMATION, WHETHER OR NOT THE RECIPIENT OF MATERIALS HAS BEEN ADVISED OF THE POSSIBILITY OF SUCH DAMAGE.

Skyworks products are not intended for use in medical, lifesaving or life-sustaining applications, or other equipment in which the failure of the Skyworks products could lead to personal injury, death, physical or environmental damage. Skyworks customers using or selling Skyworks products for use in such applications do so at their own risk and agree to fully indemnify Skyworks for any damages resulting from such improper use or sale.

Customers are responsible for their products and applications using Skyworks products, which may deviate from published specifications as a result of design defects, errors, or operation of products outside of published parameters or design specifications. Customers should include design and operating safeguards to minimize these and other risks. Skyworks assumes no liability for applications assistance, customer product design, or damage to any equipment resulting from the use of Skyworks products outside of Skyworks' published specifications or parameters.

Skyworks, the Skyworks symbol, Sky5®, SkyOne®, SkyBlue™, Skyworks Green™, Clockbuilder®, DSPLL®, ISOModem®, ProSLIC®, and SiPHY® are trademarks or registered trademarks of Skyworks Solutions, Inc. or its subsidiaries in the United States and other countries. Third-party brands and names are for identification purposes only and are the property of their respective owners. Additional information, including relevant terms and conditions, posted at www.skyworksinc.com, are incorporated by reference.

Skyworks Solutions, Inc. | Nasdaq: SWKS | sales@skyworksinc.com | www.skyworksinc.com

USA: 781-376-3000 | Asia: 886-2-2735 0399 | Europe: 33 (0)1 43548540 | [in](https://www.linkedin.com/company/skyworks) [f](https://www.facebook.com/skyworks) [t](https://twitter.com/skyworks) [y](https://www.youtube.com/skyworks)

Looking for pricing, stock, or lifecycle information?

Click below to explore more details on WIN SOURCE:

- ⊖ [View SI2404-C-GTR on WIN SOURCE](#)
- ⊖ [Skyworks Solutions Inc. Information](#)

Optimize Your Supply Chain with WIN SOURCE Solutions

- ✓ Global Sourcing Solution
- ✓ Obsolete Management
- ✓ Cost Control Management
- ✓ Shortage Management
- ✓ Alternative Solution
- ✓ Excess Inventory Management