



**THE DATASHEET OF
SI32174-C-GM1**



PROSLIC® SINGLE-CHIP FXS SOLUTION

Si3217x-C Features

- Complete FXS solution in 5 x 7 mm
- Performs all BORSCHT functions
- Ideal for short to medium loops
- Global programmability
- Internal balanced or unbalanced ringing
- Patented low power ringing
- Simplified configuration and diagnostics
- Supported by ProSLIC API
- Ultra low power consumption
- Integrated tracking dc-dc controller with direct connection to MOSFET
- Wideband voice support (Si32174/6/7)
- On-hook transmission
- Loop or ground start operation
- Smooth polarity reversal
- PCM and SPI bus digital interfaces with programmable interrupts
- A-Law/ μ -Law companding, linear PCM
- Software-programmable parameters:
 - Ringing frequency, amplitude, cadence, and waveshape
 - Two-wire ac impedance
 - Transhybrid balance
 - DC current loop feed (10-45 mA)
 - Loop closure and ring trip thresholds
 - Ground key detect threshold
- GCI/IOM-2 mode support
- DTMF generation
- DTMF detection (Si32170/1/4)
- Pulse metering (Si32170/1)
- 3.3 V operation
- Support for 1.8 V I/O
- Maximum battery up to -140 V
- Pb-free/RoHS-compliant packaging

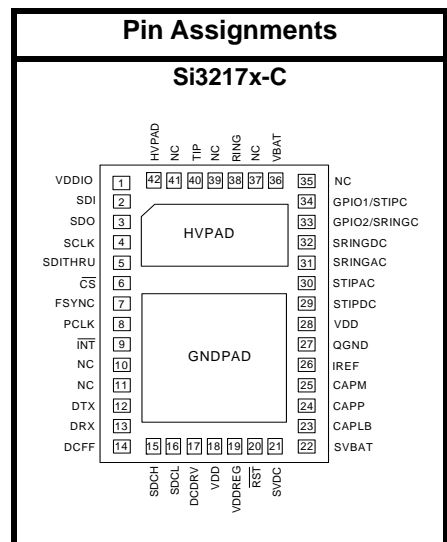
Applications

- Customer Premise Equipment (CPE)
- VoIP DSL Gateways and Routers
- Wireless Local Loop (WLL)
- Integrated Access Devices (IAD)
- Analog Terminal Adapters (ATA)
- Small Office/Home Office PBX

Description

The Si3217x-C devices are pin-compatible single-channel ProSLIC products that implement a complete foreign exchange station (FXS) telephony interface solution in accordance with all relevant LSSGR, ITU, and ETSI specifications.

The Si3217x-C ProSLIC ICs operate from a 3.3 V supply and interface to standard PCM/SPI digital interfaces with 3.3 V or 1.8 V I/O. The Si3217x integrated dc-dc controller automatically generates the optimal battery voltages required for each linestate. Si3217x-C ICs are available with voltage ratings of -110 V or -140 V to support a wide range of ringing voltages. See the Ordering Guide for the voltage rating of each Si3217x-C version. The Si3217x devices are available in a 5x7 mm 42-pin QFN package. Refer to the Si3217x-Si3291x data sheet for information on revision B Si3217x devices, including the Si32178/9 and Si32911/9 devices for FXS with FXO functionality.



Patents pending

Si3217x-C

Functional Block Diagram

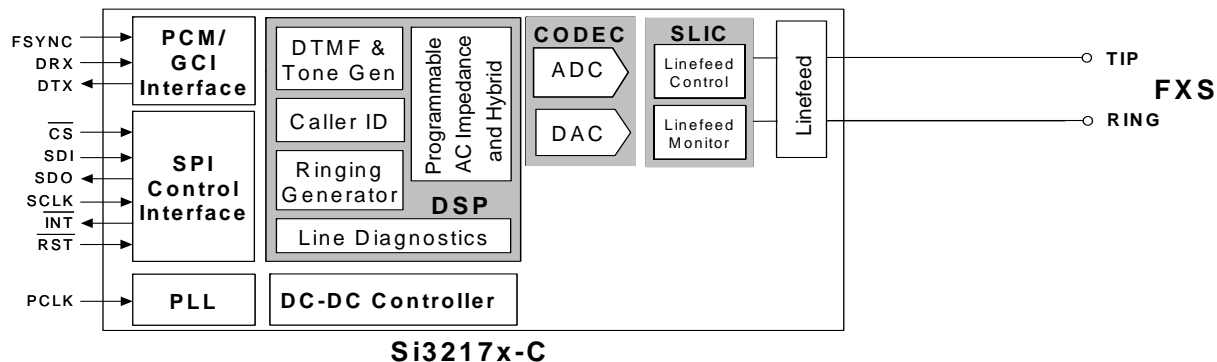


TABLE OF CONTENTS

<u>Section</u>	<u>Page</u>
1. Electrical Specifications	4
2. Schematics	19
3. Bill of Materials	24
4. Functional Description	28
5. FXS Features	29
5.1. DC Feed Characteristics	29
5.2. Linefeed Operating States	29
5.3. Line Voltage and Current Monitoring	29
6. Power Monitoring and Power Fault Detection	30
6.1. Thermal Overload Shutdown	30
6.2. Loop Closure Detection	31
6.3. Ground Key Detection	31
6.4. Ringing Generation	31
6.5. Polarity Reversal	31
6.6. Two-Wire Impedance Synthesis	31
6.7. Transhybrid Balance Filter	31
6.8. Tone Generators	31
6.9. DTMF Detection (Si32170/1/4 Only)	32
6.10. Pulse Metering (Si32170/1 Only)	32
6.11. DC-DC Controller	32
6.12. Wideband Audio	32
6.13. In-Circuit and Metallic Loop Testing (MLT)	33
7. System Interfaces	35
7.1. SPI Control Interface	35
7.2. PCM Interface and Companding	35
7.3. Input/Output Voltage Selection	35
8. Pin Descriptions: Si3217x-C	36
9. Ordering Guide	39
10. Product Identification	41
11. Package Outline	42
11.1. 42-Pin QFN/LGA	42
12. PCB Land Pattern Si3217x QFN	43
12.1. QFN PCB Design	44
12.2. QFN Solder Mask Design	44
12.3. QFN Stencil Design	44
12.4. QFN Card Assembly	44
13. Top Markings	45
13.1. Si3217x-C Package Top Marking	45
13.2. Si3217x-C LGA Package Top Marking Explanation	45
Document Change List	46

Si3217x-C

1. Electrical Specifications

Table 1. Recommended Operating Conditions¹

Parameter	Symbol	Test Condition	Min*	Typ	Max*	Unit
Ambient Temperature	T _A	F-grade	0	25	70	°C
		G-grade	-40	25	85	°C
Silicon Junction Temperature, QFN-42	T _{JHV}	Linefeed Die	—	—	145	°C
Supply Voltage, Si3217x-C	V _{DD}		3.13	3.3	3.47	V
Battery Voltage, Si32171/4/6 ²	V _{BAT}		-110	-95	-15	V
Battery Voltage, Si32170/7 ²	V _{BAT}		-140	-130	-15	V
IO Supply Voltage, Si3217x-C	V _{DDIO}		1.71	—	3.47	V

Notes:

1. All minimum and maximum specifications apply across the recommended operating conditions. Typical values apply at nominal supply voltages and an operating temperature of 25 °C unless otherwise stated.
2. Operation at minimum voltage dependent upon loop conditions and dc-dc converter configuration.

Table 2. Power Supply Characteristics for Si3217x-C

Parameter	Symbol	Test Condition	Min	Typ	Max	Unit
Supply Currents: Reset	I_{DD}	V_T and $V_R = \text{Hi-Z}$, $R_{ST} = 0$	—	6.3	—	mA
	I_{VBAT}		—	0	—	mA
Supply Currents: High Impedance, Open	I_{DD}	V_T and $V_R = \text{Hi-Z}$	—	20.8	—	mA
	I_{VBAT}		—	0.6	—	mA
Supply Currents: Forward/Reverse, On-hook	I_{DD}	$V_{TR} = -48 \text{ V}$, Automatic Power Save Mode Enabled	—	10.8	—	mA
	I_{VBAT}		—	0.6	—	mA
Supply Currents: Forward/Reverse, On-hook	I_{DD}	$V_{TR} = -48 \text{ V}$, Automatic Power Save Mode Disabled	—	31.2	—	mA
	I_{VBAT}		—	2.1	—	mA
Supply Currents: Tip/Ring Open, On-hook	I_{DD}	V_T or $V_R = -48 \text{ V}$ V_R or $V_T = \text{Hi-Z}$, Automatic Power Save Mode Enabled	—	10.9	—	mA
	I_{VBAT}		—	0.4	—	mA
Supply Currents: Tip/Ring Open, On-hook	I_{DD}	V_T or $V_R = -48 \text{ V}$ V_R or $V_T = \text{Hi-Z}$, Automatic Power Save Mode Disabled	—	30.6	—	mA
	I_{VBAT}		—	1.3	—	mA
Supply Currents: Forward/Reverse OHT, On-hook	I_{DD}	$V_{TR} = 48 \text{ V}$	—	43.8	—	mA
	I_{VBAT}		—	2.9	—	mA
Supply Currents: Forward/Reverse Active, Off-hook	I_{DD}	$I_{LOOP} = 20 \text{ mA}$, $R_{LOAD} = 200 \Omega$	—	44.6	—	mA
	I_{VBAT}		—	21.3	—	mA
Supply Currents: Ringing	I_{DD}	$V_{TR} = 55 V_{RMS} + 0 V_{DC}$, balanced, sinusoidal, $f = 20 \text{ Hz}$ $R_{LOAD} = 5 R_{EN} = 1400 \Omega$	—	35.8	—	mA
	I_{VBAT}		—	37.5	—	mA

Notes:

- All specifications are for a single channel of Si3217x with a tracking flyback dc-dc converter
- I_{DD} includes I_{DDIO} .

Si3217x-C

Table 3. AC Characteristics for FXS

Parameter	Test Condition	Min	Typ	Max	Unit
TX/RX Performance					
Overload Level		2.5	—	—	V _{PK}
Overload Compression	2-Wire – PCM	Figure 4	—	—	
Single Frequency Distortion ¹	2-Wire – PCM or PCM – 2-Wire: 200 Hz to 3.4 kHz	—	—	–40	dB
	PCM – 2-Wire – PCM: 200 Hz – 3.4 kHz, 16-bit Linear mode	—	—	–63	dB
Signal-to-(Noise + Distortion) Ratio ²	200 Hz to 3.4 kHz D/A or A/D 8-bit Active off-hook, and OHT, any Z _T	Figure 3	—	—	
Audio Tone Generator Signal-to-Distortion Ratio ²	0 dBm ₀ , Active off-hook, and OHT, any Z _T	46	—	—	dB
Intermodulation Distortion		—	—	–41	dB
Gain Accuracy ²	2-Wire to PCM or PCM to 2-Wire 1014 Hz, Any gain setting	–0.2	—	0.2	dB
Attenuation Distortion vs. Frequency	0 dBm 0 ⁶	See Figure 16 and 17			
Group Delay vs. Frequency		See Figure 18 and 19			
Gain Tracking ³	1014 Hz sine wave, reference level –10 dBm Signal level:	—	—	—	—
	3 dB to –37 dB	—	—	0.25	dB
	–37 dB to –50 dB	—	—	0.5	dB
	–50 dB to –60 dB	—	—	1.0	dB
Round-Trip Group Delay	1014 Hz, Within same time-slot	—	450	500	μs
2-Wire Return Loss ⁴	200 Hz to 3.4 kHz	26	30	—	dB
Transhybrid Balance ⁴	300 Hz to 3.4 kHz	26	30	—	dB
Notes:					
1. The input signal level should be 0 dBm ₀ for frequencies greater than 100 Hz. For 100 Hz and below, the level should be –10 dBm ₀ . The output signal magnitude at any other frequency is smaller than the maximum value specified.					
2. Analog signal measured as V _{TIP} – V _{RING} . Assumes ideal line impedance matching.					
3. The quantization errors inherent in the μ/A-law companding process can generate slightly worse gain tracking performance in the signal range of 3 to –37 dB for signal frequencies that are integer divisors of the 8 kHz PCM sampling rate.					
4. V _{DD} , V _{DDIO} = 3.3 V, V _{BAT} = –52 V, no fuse resistors; R _L = 600 Ω, Z _S = 600 Ω synthesized using RS register coefficients.					
5. The level of any unwanted tones within the bandwidth of 0 to 4 kHz does not exceed –55 dBm.					
6. 0 dBm 0 is equal to 0 dBm into 600 Ω.					

Table 3. AC Characteristics for FXS (Continued)

Parameter	Test Condition	Min	Typ	Max	Unit
Noise Performance					
Idle Channel Noise ⁵	C-Message weighted	—	8	12	dBrnC
	Psophometric weighted	—	-82	-78	dBmP
PSRR from V_{DD} , V_{DDIO} @ 3.3 V	RX and TX, 200 Hz to 3.4 kHz	—	55	—	dB
Longitudinal Performance					
Longitudinal to Metallic/PCM Balance (forward or reverse)	200 Hz to 1 kHz	58	60	—	dB
	1 kHz to 3.4 kHz	53	58	—	dB
Metallic/PCM to Longitudinal Balance	200 Hz to 3.4 kHz	40	—	—	dB
Longitudinal Impedance	200 Hz to 3.4 kHz at TIP or RING	—	50	—	Ω
Longitudinal Current Capability	Active off-hook 60 Hz Reg 73 = 0x0B	—	25	—	mA
Notes:					
1. The input signal level should be 0 dBm0 for frequencies greater than 100 Hz. For 100 Hz and below, the level should be -10 dBm0. The output signal magnitude at any other frequency is smaller than the maximum value specified.					
2. Analog signal measured as $V_{TIP} - V_{RING}$. Assumes ideal line impedance matching.					
3. The quantization errors inherent in the μ/A -law companding process can generate slightly worse gain tracking performance in the signal range of 3 to -37 dB for signal frequencies that are integer divisors of the 8 kHz PCM sampling rate.					
4. V_{DD} , V_{DDIO} = 3.3 V, V_{BAT} = -52 V, no fuse resistors; R_L = 600 Ω , Z_S = 600 Ω synthesized using RS register coefficients.					
5. The level of any unwanted tones within the bandwidth of 0 to 4 kHz does not exceed -55 dBm.					
6. 0 dBm 0 is equal to 0 dBm into 600 Ω .					

Si3217x-C

Table 4. Linefeed Characteristics for FXS

Parameter	Symbol	Test Condition	Min	Typ	Max	Unit
Maximum Loop Resistance	R_{LOOP}	$R_{DC,MAX} = 430 \Omega$ $I_{LOOP} = 18 \text{ mA}$, $V_{BAT} = -52 \text{ V}$, $R_{PROT} = 0 \Omega$	—	—	2000	Ω
DC Feed Current		Differential	—	—	45	mA
		Common Mode	—	—	30	mA
		Differential + Common Mode	—	—	45	mA
DC Loop Current Accuracy		$I_{LIM} = 18 \text{ mA}$	—	—	10	%
DC Open Circuit Voltage Accuracy		Active Mode; $V_{OC} = 48 \text{ V}$, $V_{TIP} - V_{RING}$	—	—	4	V
DC Differential Output Resistance	R_{DO}	$I_{LOOP} < I_{LIM}$	160	—	640	Ω
DC On-Hook Voltage Accuracy—Ground Start	V_{OHTO}	$I_{RING} < I_{LIM}$; V_{RING} wrt ground, $V_{RING} = -51 \text{ V}$	—	—	4	V
DC Output Resistance—Ground Start	R_{ROTO}	$I_{RING} < I_{LIM}$; RING to ground	160	—	640	Ω
DC Output Resistance—Ground Start	R_{TOTO}	TIP to ground	400	—	—	kW
Loop Closure Detect Threshold Accuracy		$I_{THR} = 13 \text{ mA}$	—	—	10	%
Ground Key Detect Threshold Accuracy		$I_{THR} = 13 \text{ mA}$	—	—	10	%
Ring Trip Threshold Accuracy		AC detection, $V_{RING} = 70 \text{ Vpk}$, no offset, $I_{TH} = 80 \text{ mA}$	—	—	4	mA
		DC detection, 20 V dc offset, $I_{TH} = 13 \text{ mA}$	—	—	1	mA
		DC Detection, 48 V DC offset, $R_{loop} = 1500 \Omega$	—	—	3	mA
Ringing Amplitude*	$V_{RINGING}$	Si32171/4/6 Open circuit, $V_{BAT} = -110 \text{ V}$	108	—	—	V_{PK}
		Si32170/7 Open circuit, $V_{BAT} = -140 \text{ V}$	132	—	—	V_{PK}
Sinusoidal Ringing Total Harmonic Distortion	R_{THD}	Si32171/4/6 : $60 V_{RMS}$, $15 V_{OFFSET}$, 0–5 REN	—	1	—	%
		Si32170/7 : $55 V_{RMS}$, $48 V_{OFFSET}$, 0–5 REN	—	—	—	—
Ringing Frequency Accuracy		$f = 16 \text{ Hz to } 60 \text{ Hz}$	—	—	1	%
Ringing Cadence Accuracy		Accuracy of ON/OFF times	—	—	50	ms
Loop Voltage Sense Accuracy		$V_{TIP} - V_{RING} = 48 \text{ V}$	—	2	4	%
Loop Current Sense Accuracy		$I_{LOOP} = 18 \text{ mA}$	—	7	10	%
Power Alarm Threshold Accuracy		Power Threshold = 1.0 W $V_{BAT} = -56 \text{ V}$, $I_{LDDD} = 40 \text{ mA}$, $R_{LOAD} = 600 \Omega$	—	15	—	%
Test Load Impedance	R_{TL}	HVIC_STATE_SPARE[23] = 1	1.0	—	3.0	k Ω

Table 4. Linefeed Characteristics for FXS (Continued)

Parameter	Symbol	Test Condition	Min	Typ	Max	Unit
Test Load Voltage	V_{TL}	HVIC_STATE_SPARE[23] = 1	± 5		± 50	V

***Note:** Ringing amplitude is set for 108 or 128 V peak and measured at TIP-RING using no series protection resistance.

Si3217x-C

Table 5. Digital I/O Characteristics

Parameter	Symbol	Test Condition	Min	Typ	Max	Unit
High Level Input Voltage	V_{IH}		$0.7 \times V_{DDIO}$	—	V_{DDIO}	V
Low Level Input Voltage	V_{IL}		—	—	$0.3 \times V_{DDIO}$	V
High Level Output Voltage*	V_{OH}		$V_{DDIO} - 0.6$	—	—	V
Low Level Output Voltage*	V_{OL}	$I_O = 4 \text{ mA}$	—	—	0.4	V
SDITHRU and $\overline{\text{RST}}$ Internal Pullup Current			33	42	65	μA
Input Leakage Current	I_L		—	—	10	μA

Table 6. Charge Pump Characteristics

Parameter	Symbol	Test Condition	Min	Typ	Max	Unit
Output Voltage (DCDRV, DCFF)	V_{CP}		$2 \times V_{DD} - 1$	—	$2 \times V_{DD}$	V
Output Current	I_{CP}		—	—	3*	mA

***Note:** Peak drive current capability is > 60 mA.

Table 7. Switching Characteristics—General Inputs

Parameter	Symbol	Min	Typ	Max	Unit
$\overline{\text{RST}}$ Pulse Width	t_{rl}	33/PCLK	—	—	μs

Note: All timing is referenced to the 50% level of the waveform. Input test levels are $V_{IH} = V_{DD} - 0.4 \text{ V}$, $V_{IL} = 0.4 \text{ V}$. Rise and Fall times are referenced to the 20% and 80% levels of the waveform.

Table 8. Switching Characteristics—SPI

Parameter	Symbol	Test Condition	Min	Typ	Max	Unit
Cycle Time SCLK	t_c		62	—	—	ns
Rise Time, SCLK	t_r		—	—	25	ns
Fall Time, SCLK	t_f		—	—	25	ns
Delay Time, SCLK Fall to SDO Active	t_{d1}		—	—	20	ns
Delay Time, SCLK Fall to SDO Transition	t_{d2}		—	—	20	ns
Delay Time, \overline{CS} Rise to SDO Tri-state	t_{d3}		—	—	20	ns
Setup Time, \overline{CS} to SCLK Fall	t_{su1}		25	—	—	ns
Hold Time, \overline{CS} to SCLK Rise	t_{h1}		20	—	—	ns
Setup Time, SDI to SCLK Rise	t_{su2}		25	— </td <td>—</td> <td>ns</td>	—	ns
Hold Time, SDI to SCLK Rise	t_{h2}		20	—	—	ns
Delay Time between Chip Selects	t_{cs}		220	—	—	ns
SDI to SDITHRU Propagation Delay	t_{d4}		—	4	10	ns

Notes:

- All timing is referenced to the 50% level of the waveform. Input test levels are $V_{IH} = V_{DDIO} - 0.4$ V, $V_{IL} = 0.4$ V.
- Characteristics for outputs specified with $C_L = 20$ pF.

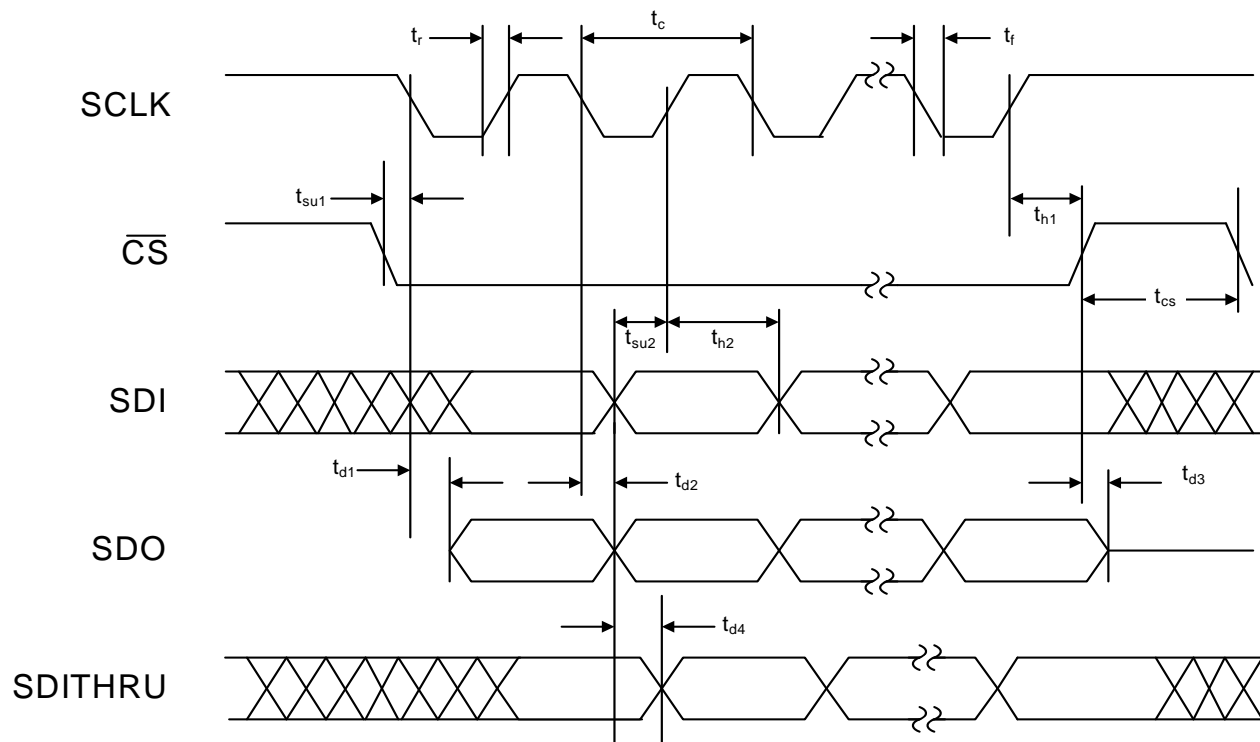


Figure 1. SPI Timing Diagram

Table 9. Switching Characteristics—PCM Highway Interface

Parameter	Symbol	Test Condition	Min ¹	Typ ¹	Max ¹	Unit
PCLK Period	t_p		122	—	1953	ns
PCLK Jitter Tolerance	$t_{\text{jitter(FXS)}}$		—	—	8	ns _{RMS}
Valid PCLK Inputs ²			—	256	—	kHz
			—	512	—	kHz
			—	768	—	kHz
			—	1.024	—	MHz
			—	1.536	—	MHz
			—	1.544	—	MHz
			—	2.048	—	MHz
			—	4.096	—	MHz
			8.192	—	MHz	
FSYNC Period ³	t_{fs}		—	125	—	μs
PCLK Duty Cycle Tolerance	t_{dty}		40	50	60	%
FSYNC Jitter Tolerance ⁴	t_{jitter}		—	—	±120	ns
Rise Time, PCLK	t_r		—	—	25	ns
Fall Time, PCLK	t_f		—	—	25	ns
Delay Time, PCLK Rise to DTX Active	t_{d1}		—	—	20	ns
Delay Time, PCLK Rise to DTX Transition	t_{d2}		—	—	20	ns
Delay Time, PCLK Rise to DTX Tristate ⁶	t_{d3}		—	—	20	ns
Setup Time, FSYNC to PCLK Fall	t_{su1}		25	—	—	ns
Hold Time, FSYNC to PCLK Fall	t_{h1}		20	—	—	ns
Setup Time, DRX to PCLK Fall	t_{su2}		25	—	—	ns
Hold Time, DRX to PCLK Fall	t_{h2}		20	—	—	ns
FSYNC Pulse Width	t_{wfs}		t_p	—	$125 \mu\text{s} - t_p$	

Notes:

1. All timing is referenced to the 50% level of the waveform. Input test levels are $V_{IH} - V_{IO} - 0.4 \text{ V}$, $V_{IL} = 0.4 \text{ V}$.
2. A constant PCLK and FSYNC are required.
3. FSYNC source is assumed to be 8 kHz under all operating conditions.
4. FSYNC Jitter Tolerance relative to PCLK.
5. Characteristics for outputs specified with $C_L = 20 \text{ pF}$.
6. Specification applies to PCLK fall to DTX tristate when that mode is selected.

Table 10. Thermal Conditions

Parameter	Symbol	Test Condition	Value	Unit
Storage Temperature Range	T_{STG}		-55 to 150	°C
Thermal Resistance, Typical ¹ QFN-42	θ_{JA}		53	°C/W
	θ_{JB}		33	
	θ_{JC}		39	
Continuous Power Dissipation ^{2,3} QFN-42	P_D	$T_A = 85\text{ °C}$	0.75	W
Maximum Junction Temperature, QFN-42 (Linefeed Die)	T_{JHV}	Continuous	145	°C
Maximum Junction Temperature QFN-42 (Low Voltage Die)	T_{JLV}		125	°C

Notes:

1. The thermal resistance of an exposed pad package is assured when the recommended printed circuit board layout guidelines are followed correctly. The specified performance requires that the exposed pad be soldered to an exposed copper surface of at least equal size and that multiple vias are added to enable heat transfer between the top-side copper surface and a large internal/bottom copper plane. Thermal resistance values are empirical measurements taken from Skyworks Solutions EVBs.
2. Operation of the Si3217x above 125 °C junction temperature may degrade device reliability.
3. Si3217x linefeed is equipped with on-chip thermal limiting circuitry that shuts down the circuit when the junction temperature exceeds the thermal shutdown threshold. The thermal shutdown threshold should normally be set to 145 °C; when in the ringing state with cadence the thermal shutdown may be set to 200 °C. For optimal reliability long term operation of the Si3217x linefeed above 150 °C junction temperature should be avoided.

Table 11. Absolute Maximum Ratings¹

Parameter	Symbol	Test Condition	Value	Unit
Supply Voltage	V_{DD}, V_{DDIO}		-0.5 to 4.0	V
Digital Input Voltage	V_{IND}		-0.3 to 3.6	V
Battery Supply Voltage ² , Si32171/4/6	V_{BAT}		+0.4 to -115	V
Battery Supply Voltage ² , Si32170/7	V_{BAT}		+0.4 to -142	V
Tip or Ring Voltage, Si32171/4/6 ³	V_{TIP}, V_{RING}		-130	V
Tip or Ring Voltage, Si32170/7 ³	V_{TIP}, V_{RING}		-142	V
TIP, RING Current	I_{TIP}, I_{RING}		±100	mA

Notes:

1. Permanent device damage may occur if the absolute maximum ratings are exceeded. Functional operation should be restricted to the conditions as specified in the operational sections of this data sheet.
2. The dv/dt of the voltage applied to the VBAT pins must be limited to 10 V/μs.
3. Specification requires circuit for surge event as shown in typical application circuit. VTIP or VRING must not be more than 14 V more negative than VBAT if a fixed protection device is used.

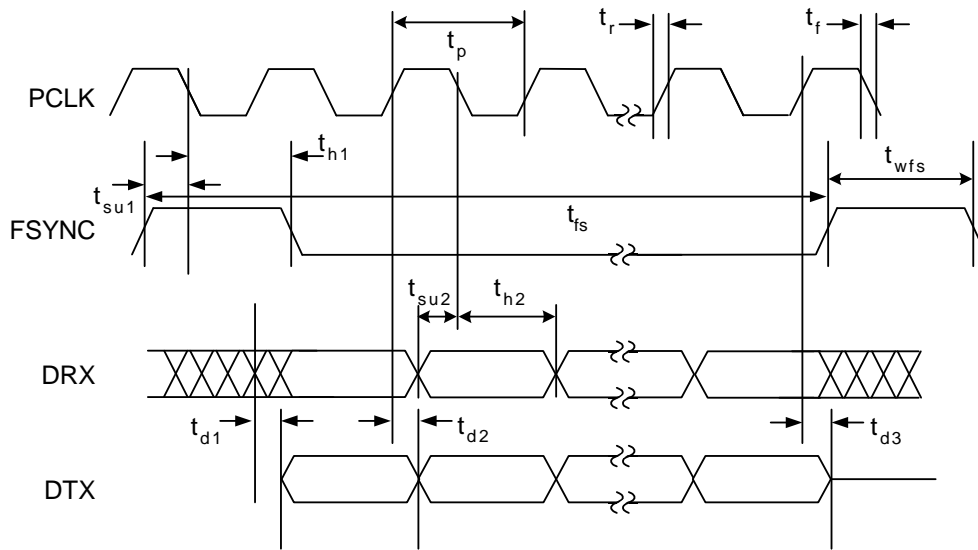


Figure 2. PCM Highway Interface Timing Diagram

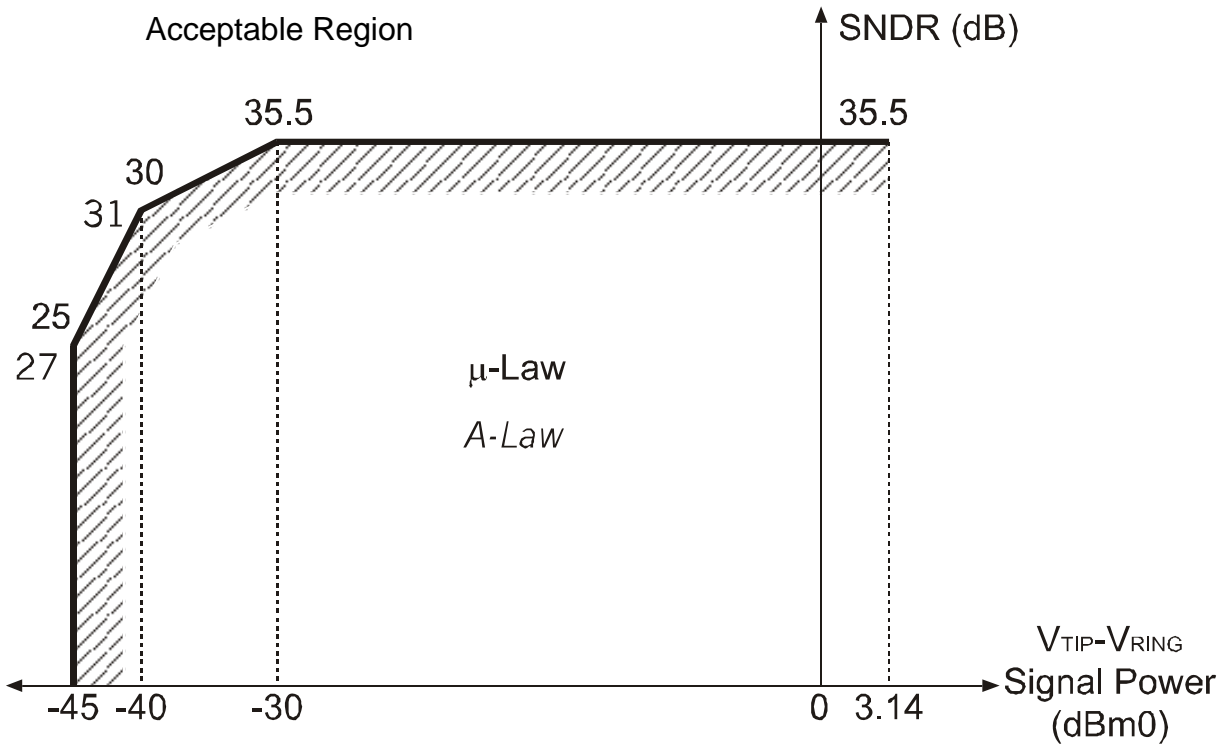


Figure 3. Transmit and Receive Path SNDR

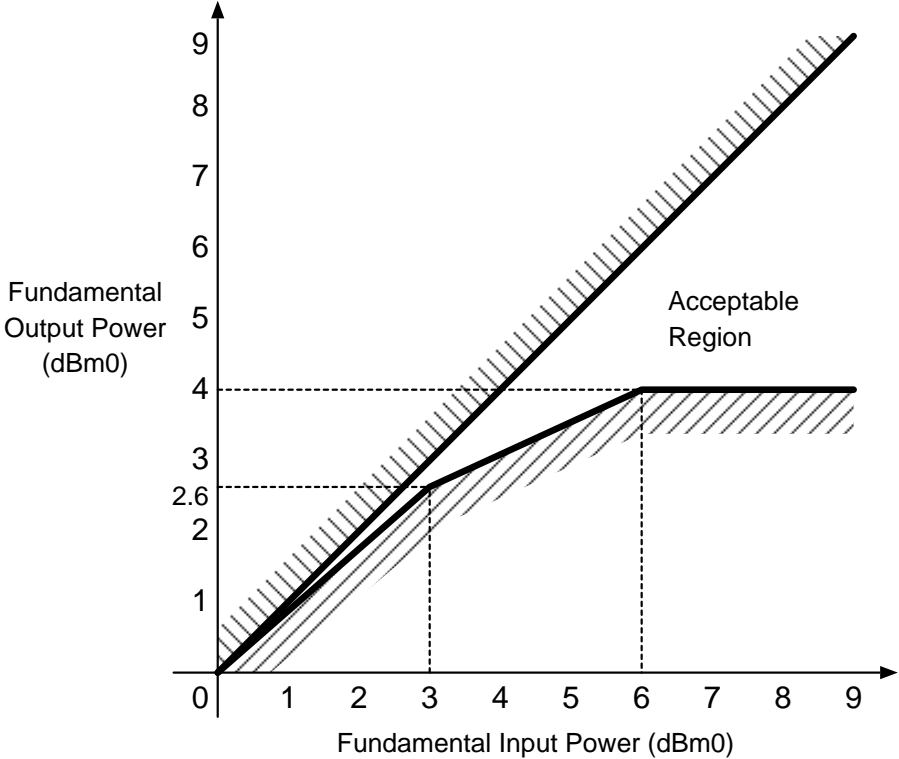


Figure 4. Overload Compression Performance

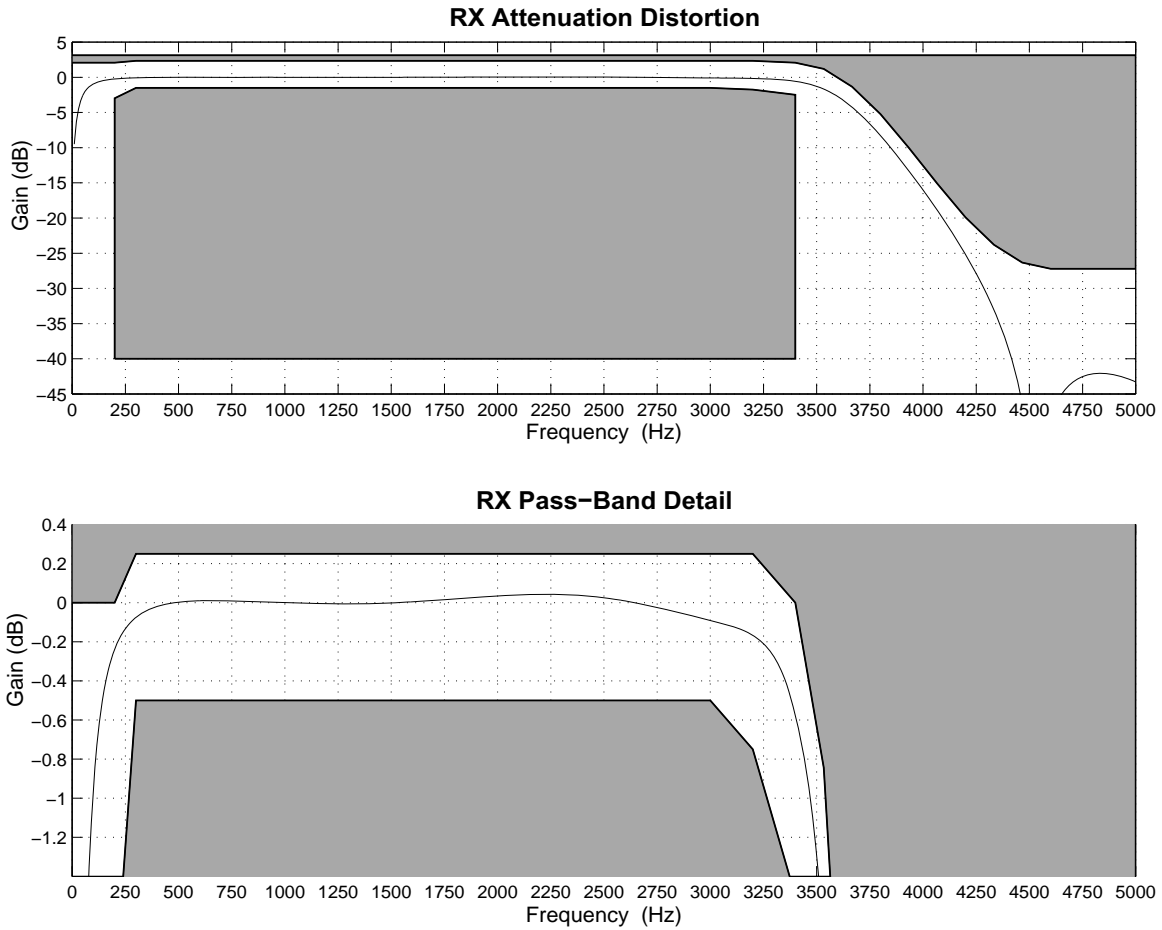


Figure 5. Receive Path Frequency Response

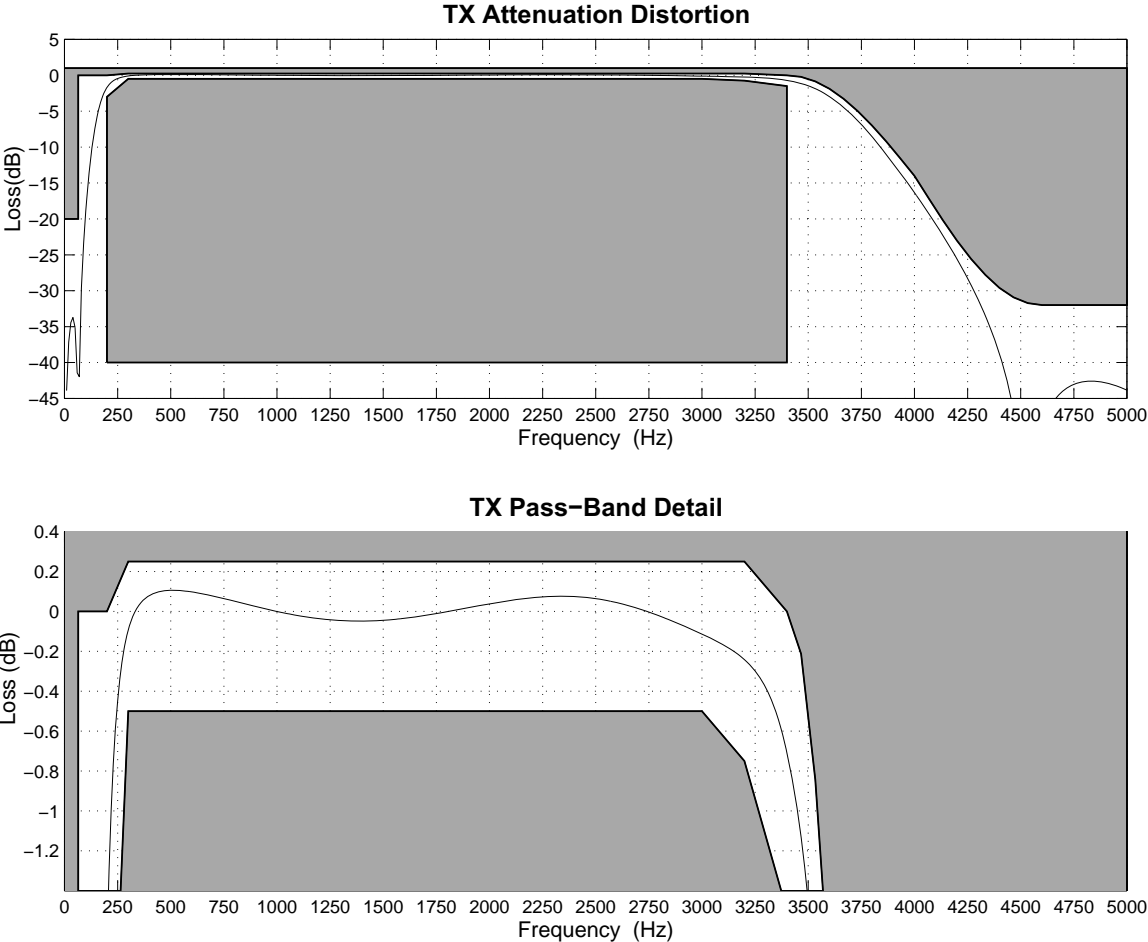


Figure 6. Transmit Path Frequency Response

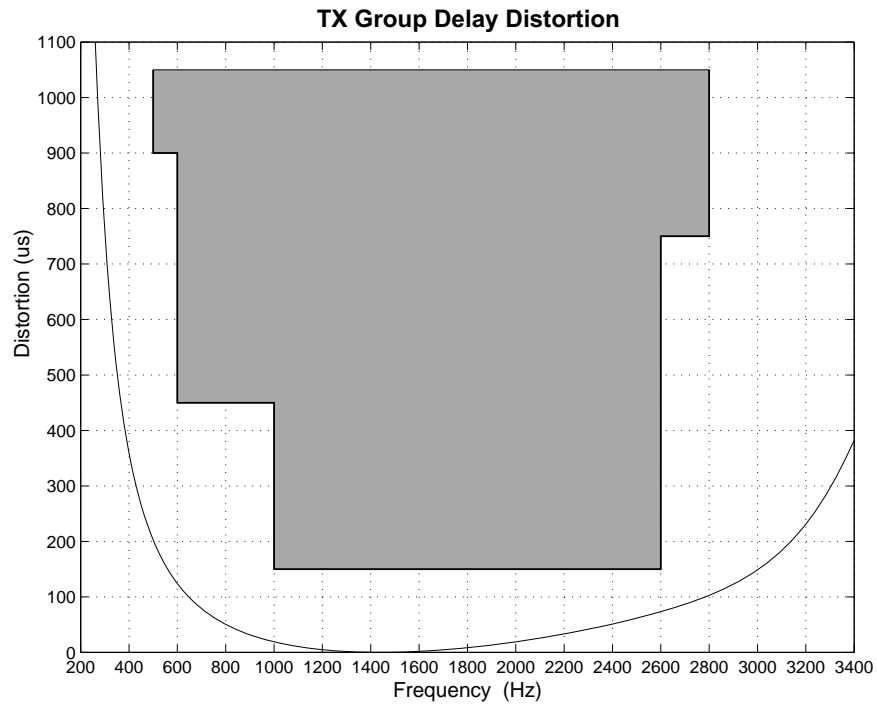


Figure 7. Transmit Group Delay Distortion

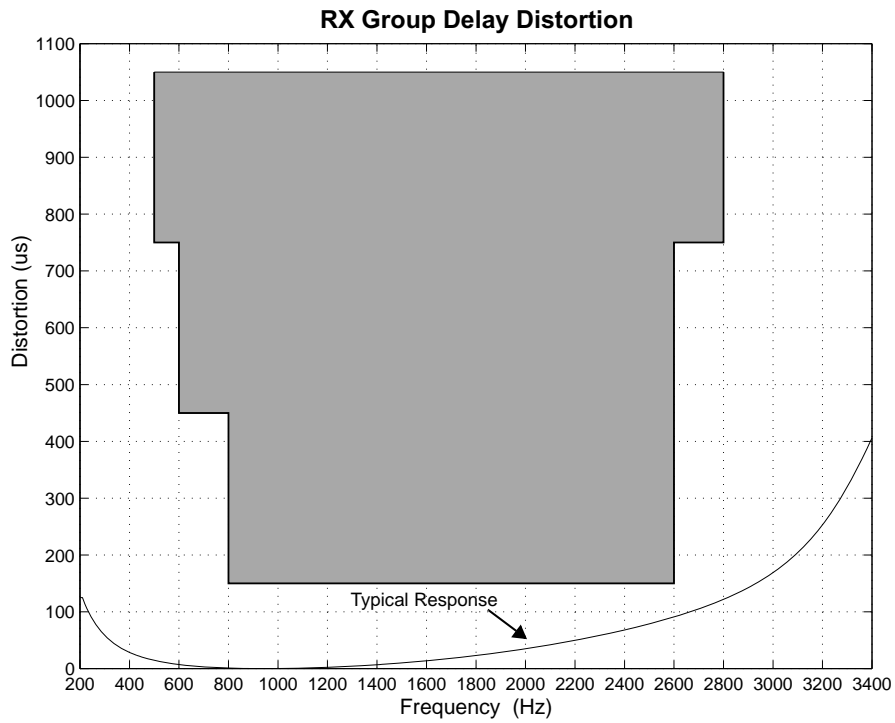


Figure 8. Receive Group Delay Distortion

2. Schematics

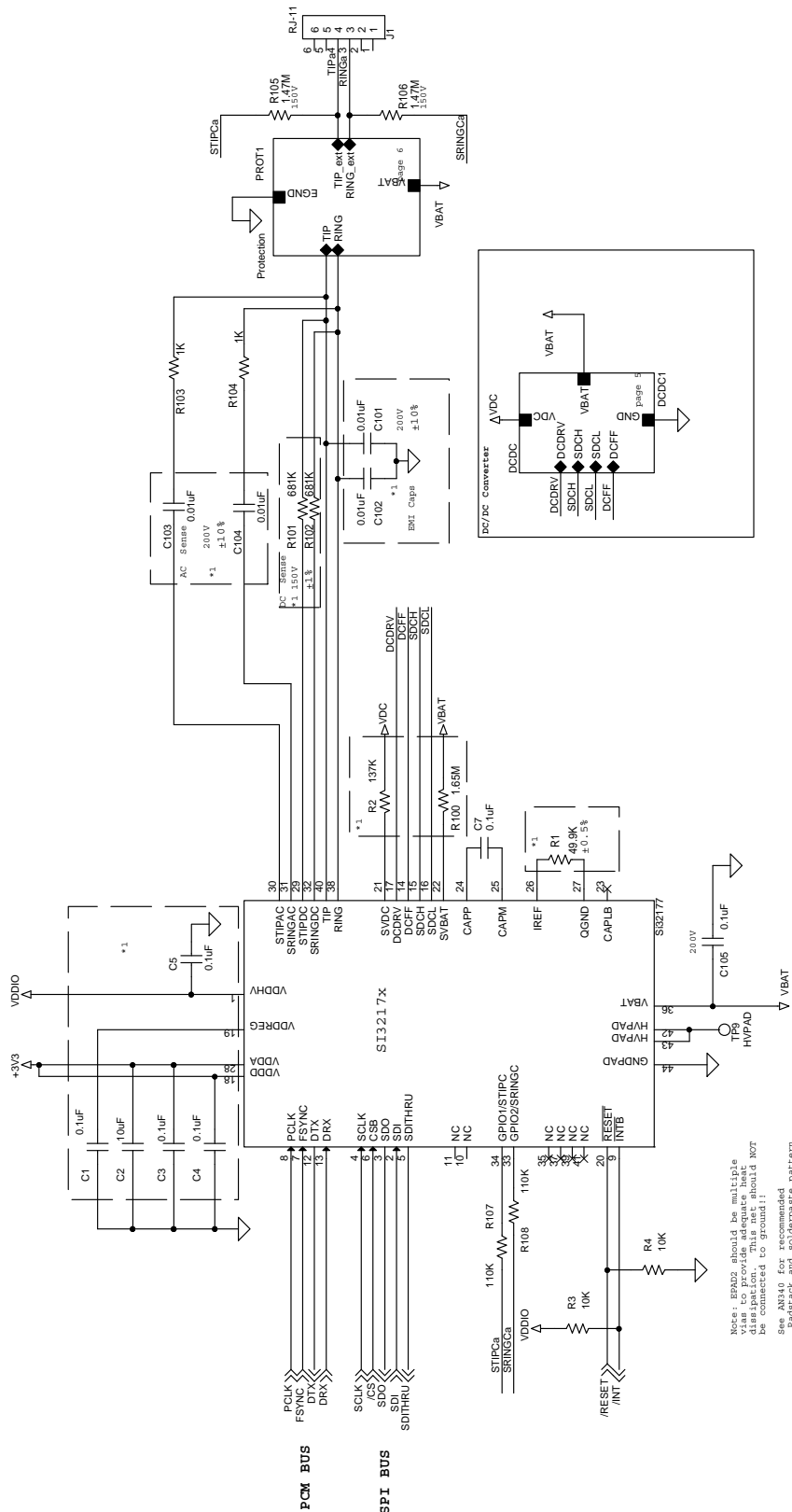


Figure 9. Top Level Schematic

This design is optimized
for VDC=8V-16V

Commercial Temp Only 0C-70C

VBAT < 95V

Ring Tracking not supported by this design

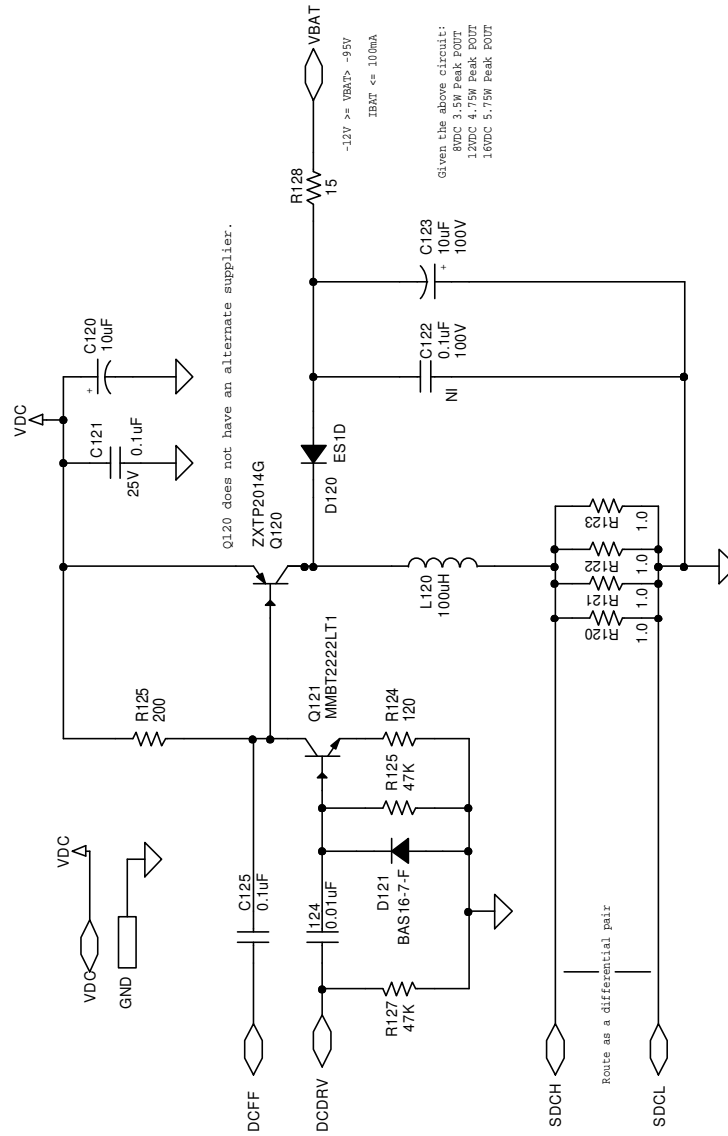


Figure 11. BJT Buck Boost DC-DC Option

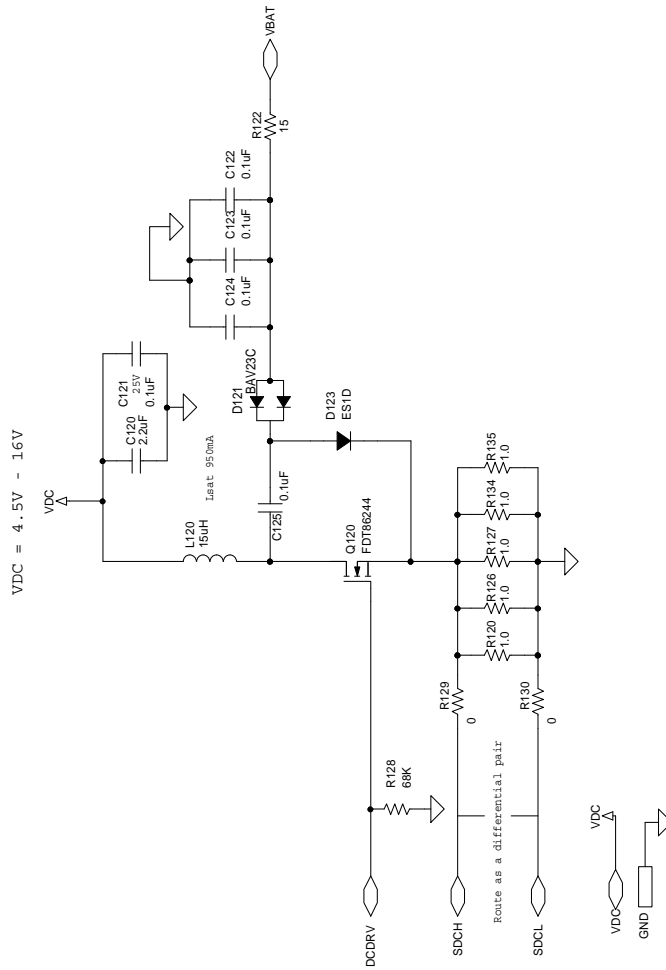


Figure 12. Si3217x-C Low Cost Quasi-Cuk DC-DC Schematic

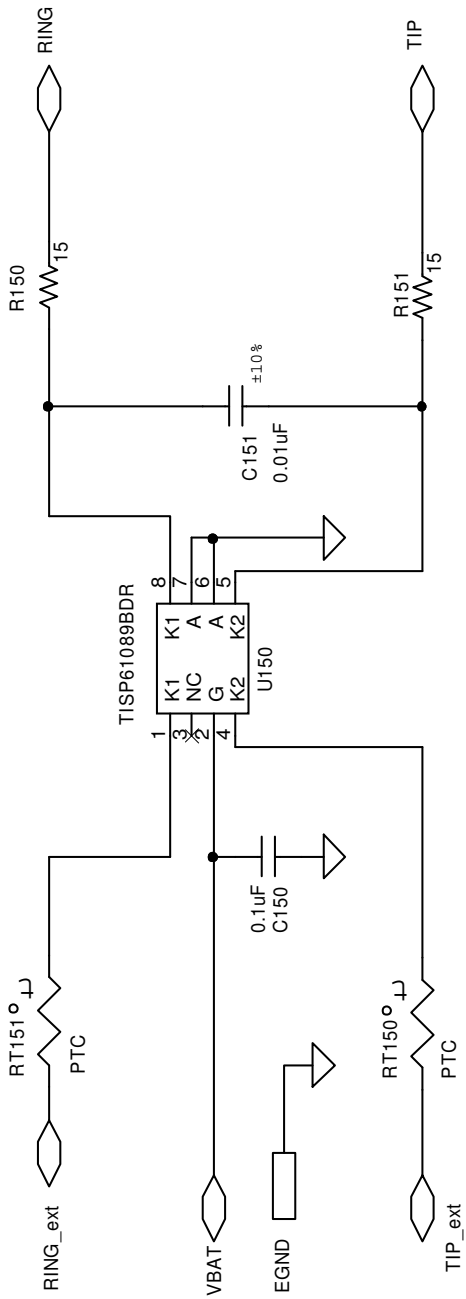


Figure 13. Protection

Si3217x-C

3. Bill of Materials

Table 12. Si3217x-C Top Level Bill of Materials

Reference	Value	Rating	Voltage	Tol	Type	PCB Footprint	Mfr Part Number	Mfr
C1 C3 C4 C5 C7	0.1 μ F		10V	\pm 10%	X7R	C0402	C0402X7R100-104K	Venkel
C2	10 μ F		6.3V	\pm 20%	X5R	C0603	C0603X5R6R3-106M	Venkel
C101 C102 C103 C104	0.01 μ F		200V	\pm 10%	X7R	C0805	C0805X7R201-103K	Venkel
C105	0.1 μ F		200V	\pm 20%	X7R	C1206	C1206X7R201-104M	Venkel
R1	49.9K	1/16W		\pm 0.5%	ThickFilm	R0603	CR0603-16W-4992D	Venkel
R2	137K	1/16W		\pm 1%	ThickFilm	R0402	CR0402-16W-2673F	Venkel
R3 R4	10K	1/16W		\pm 5%	ThickFilm	R0402	CR0402-16W-103J	Venkel
R100	1.65M	1/10W		\pm 1%	ThickFilm	R0805	CR0805-10W-1654F	Venkel
R101 R102	681K	1/10W		\pm 1%	ThickFilm	R0805	CR0805-10W-6813F	Venkel
R103 R104	1K	1/16W		\pm 1%	ThickFilm	R0402	CR0402-16W-1001F	Venkel
R105 R106	1.47M	1/8W		\pm 1%	ThickFilm	R1206	CR1206-8W-1474F	Venkel
R107 R108	110K	1/16W		\pm 1%	ThickFilm	R0402	CR0402-16W-1103F	Venkel
U1	Si32170/7		140V		MCM	LGA42M5X7 P0.5	Si32170/7-C-GM1	Skyworks

Table 13. Si3217x-C Flyback Bill of Materials

Reference	Value	Rating	Volt	Tol	Type	PCB Footprint	Mfr Part Number	Mfr
C120 (Not Installed)	10 μ F		25	\pm 20%	X7R	C1210	C1210X7R250-106M	Venkel
C122 (Not Installed)	470 pF		100	\pm 10%	X7R	C0603	C0603X7R101-471K	Venkel
D121 (Not Installed)	75 V	200mW	75		Zener	SOD-323	BZX384C75-V	Vishay
D122 (Not Installed)	BAS16X	200mA	75		Switch	SOD-523	BAS16XV2T1G	On Semi
R125 (Not Installed)	15	1/2W		\pm 5%	ThickFilm	R1210	CR1210-2W-150J	Venkel
C121	0.1 μ F		50	\pm 10%	X7R	C0603	C0603X7R500-104K	Venkel
C123	0.1 μ F		10	\pm 10%	X7R	C0402	C0402X7R100-104K	Venkel
C124 C125 C126	0.1 μ F		200	\pm 20%	X7R	C1206	C1206X7R201-104M	Venkel
D123	ES1F	1.0A	300		Fast	DO-214AC	ES1F	Fairchild
Q120	FQT7N10L	1.7A	100		N-CHNL	SOT223-GDS	FQT7N10L	Fairchild
R120	0.1	1/2W		\pm 1%	ThickFilm	R1210	LCR1210-R100F	Venkel

Table 13. Si3217x-C Flyback Bill of Materials

R121 R122	0	1A			ThickFilm	R0402	CR0402-16W-000	Venkel
R123	15	1/16W		±1%	ThickFilm	R0402	CR0402-16W-15R0F	Venkel
R124	68K	1/16W		±5%	ThickFilm	R0402	CR0402-16W-683J	Venkel
R126	15	1/2W		±5%	ThickFilm	R1210	CR1210-2W-150J	Venkel
T120	8 μ H	4A				XFMR- UTB01701s	UTB01890s	UMEC

Si3217x-C

Table 14. Si3217x-C BJT Buck Boost Bill of Materials

Reference	Value	Rating	Volt	Tol	Type	PCB Footprint	Mfr Part Number	Mfr
C122	0.1 uF		100	±20%	X7R	C0603	C0603X7R101-104M	Venkel
C120 C123	10 uF		100	±20%	Alum_Elec	C2X5MM-RAD	ECA2AM100	Panasonic
C121 C125	0.1 uF		25	±20%	X7R	C0603	C0603X7R250-104M	Venkel
D120	ES1D	1.0A	200		Single	DO-214AC	ES1D	Diodes Inc.
D121	BAS16-7-F	300mA	75		Single	SOT23-AXK	BAS16-7-F	Diodes Inc.
L120	100 uH	3.64A		±20%	Shielded	IND-SPD	DR127-101-R	Cooper Bussman
Q120	ZXTP2014G	4A	140		PNP	SOT223-BCE	ZXTP2014G	Zetex
Q121	MMBT2222LT1	600mA	30		NPN	SOT23-BEC	MMBT2222LT1	On Semi
R120 R121 R122 R123	1	1/16W		±1%	ThickFilm	R0402	CR0402-16W-1R00F	Venkel
R124	120	1/10W		±1%	ThickFilm	R0603	CR0603-10W-1200F	Venkel
R125 R127	47K	1/16W		±1%	ThickFilm	R0402	CR0402-16W-4702F	Venkel
R125	200	1/10W		±1%	ThickFilm	R0603	CR0603-10W-2000F	Venkel
R128	15	1/10W		±1%	ThickFilm	R0805	CR0805-10W-15R0F	Venkel
C124	0.01 µF		10	±20%	X7R	C0402	C0402X7R100-103M	Venkel

Table 15. Si3217x-C Low Cost Quasi-Ćuk DC-DC BOM

Reference	Value	Rating	Volt	Tol	Type	PCB_Footprint	Mfr Part Number	Mfr
C102 C104 C107 C110 C117 C118	0.1 μ F		10	\pm 10%	X7R	C0402 C0402L	C0402X7R100-104K	Venkel
C106	10 μ F		6.3	\pm 20%	X5R	C0603 C0603L	C0603X5R6R3-106M	Venkel
C120	2.2 μ F		16	\pm 20%	X7R	C0805	C0805X7R160-225M	Venkel
C121	0.1 μ F		25	\pm 20%	X7R	C0603	C0603X7R250-104M	Venkel
C122 C123 C124 C125	0.1 μ F		250	\pm 10%	X7T	C0805	C2012X7T2E104K	TDK Corpora- tion
D121	BAV23C	400mA	200		Dual Com- mon Cath- ode	SOT23-AAK	BAV23C	Diodes Inc.
D123	ES1D	1.0A	200		Fast	DO-214AC	ES1D	Diodes Inc.
L120	15 μ FH	1.6A		\pm 20%	Shielded	IND-NR6028	NR 6028T 150M	Taiyo Yuden
Q120	FDT86244	2.8A	150		N-CHNL	SOT223-GDS4	FDT86244	Fairchild
R120 R126 R127 R134 R135	1.0	1/16W		\pm 1%	ThickFilm	R0402	CR0402-16W-1R00F	Venkel
R128	68K	1/16W		\pm 5%	ThickFilm	R0402	CR0402-16W-683J	Venkel
R129 R130	0	1A			ThickFilm	R0402 R0402L	CR0402-16W-000	Venkel

Table 16. Si3217x-C Protection Bill of Materials

Reference	Value	Rating	Volt	Tol	Type	PCB Footprint	Mfr Part Number	Mfr
C150	0.1 μ F		200	\pm 20%	X7R	C1206	C1206X7R201-104M	Venkel
C151	0.01 μ F		200	\pm 10%	X7R	C0805	C0805X7R201-103K	Venkel
RT150 RT151	PTC	3A	250		TelCom	PTC-MF-SM013/250V	MF-SM013/250V	Bourns
R150 R151	15	1/10W		\pm 1%	ThickFilm	R0805	CR0805-10W-15R0F	Venkel
U150	TISP61089BDR		-150		SLIC	SO8N6.0P1.27	TISP61089BDR	Bourns

4. Functional Description

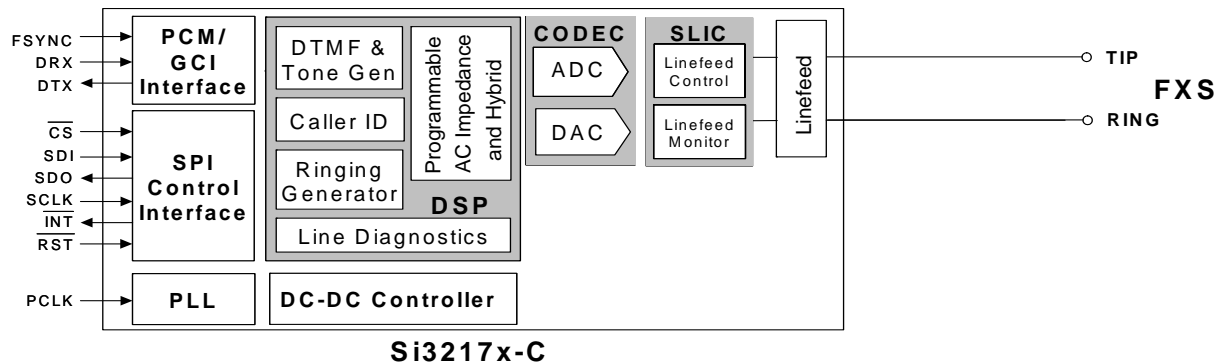


Figure 14. Si3217x-C Functional Block Diagram

The Si3217x series provides all SLIC, codec, DTMF detection, and signal generation functions needed for one complete analog telephone interface. The Si3217x performs all battery, over-voltage, ringing, supervision, codec, hybrid, and test (BORSCHT) functions; it also supports extensive metallic loop testing capabilities.

The Si3217x provides a standard voice-band (200 Hz– 3.4 kHz) audio codec and, optionally, an audio codec with both wideband (50 Hz–7 kHz) and standard voice-band modes. The wideband mode provides an expanded audio band with a 16 kHz sample rate for enhanced audio quality while the standard voice-band mode provides standard telephony audio bandwidth. The Si3217x incorporates a programmable dc-dc converter controller that reacts to line conditions to provide the optimal battery voltage required for each line-state. Si3217x-C ICs are available with voltage ratings of –110 V or –140 V to support a wide range of ringing voltages; see "9. Ordering Guide," on page 39 for the voltage rating of each Si3217x-C version.

Programmable on-hook voltage, programmable off-hook loop current, reverse battery operation, loop or ground start operation, and on-hook transmission are supported. Loop current and voltage are continuously monitored by an integrated monitoring ADC.

The Si3217x supports balanced 5 REN ringing with or without a programmable dc offset. The available voltage offset, frequency, waveshape, and cadence options are designed to ring the widest variety of terminal devices and to reduce external controller requirements.

A complete audio transmit and receive path is integrated, including ac impedance and hybrid gain. These features are software-programmable, allowing a single hardware design to meet global requirements.

5. FXS Features

5.1. DC Feed Characteristics

ProSLIC internal linefeed circuitry provides completely programmable dc feed characteristics.

When in the active state, the ProSLIC operates in one of three dc linefeed operating regions: a constant-voltage region, a constant-current region, or a resistive region, as shown in Figure 15. The constant-voltage region has a low resistance, typically $160\ \Omega$. The constant-current region approximates infinite resistance.

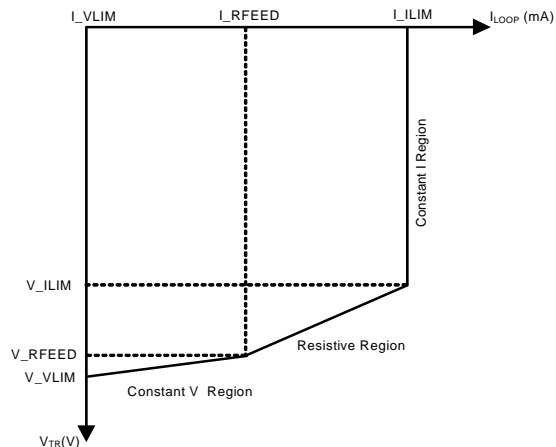


Figure 15. Dual ProSLIC DC Feed Characteristics

5.2. Linefeed Operating States

The linefeed interface includes eight different register-programmable operating states as listed in Table 17. The Open state is the default condition in the absence of any preloaded register settings. The device may also automatically enter the open state in the event of a linefeed fault condition.

5.3. Line Voltage and Current Monitoring

The ProSLIC continuously monitors the TIP, RING, and battery voltages and currents via an on-chip ADC and stores the resulting values in individual RAM locations. Additionally, the loop voltage ($V_{TIP} - V_{RING}$), loop current, and longitudinal current values are calculated based on the TIP and RING measurements and are stored in unique register locations for further processing. The ADC updates all registers at a rate of 2 kHz or greater.

6. Power Monitoring and Power Fault Detection

The Si3217x line monitoring functions are used to continuously protect against excessive power conditions. The Si3217x contains an on-chip, analog sensing diode that provides real-time temperature data and turns off the device when a preset threshold is exceeded.

If the Si3217x detects a fault condition or overpower condition, it automatically sets that device to the open state and generates a "power alarm" interrupt.

The interrupt can be masked, but masking the automatic transition to open is not recommended since it is used to protect the Si3217x HVIC under excessive power conditions. The various power alarms and linefeed faults supporting automatic intervention are described below.

1. Total power exceeded.
2. Excessive foreign current or voltage on TIP and/or RING.
3. Thermal shutdown event.

6.1. Thermal Overload Shutdown

If the die temperature exceeds the maximum junction temperature threshold, T_{Jmax} , of 145 °C or 200 °C, the device has the ability to shut itself down to a low-power state without user intervention. The thermal shutdown circuit contains a sufficient amount of hysteresis and/or turn-on delay time so as to remain shut down during a power cross event, where 50 Hz or 60 Hz, 600 V, is connected to TIP and/or RING.

Table 17. Linefeed Operating States

Linefeed State	Description
Open	Output is high-impedance, and all line supervision functions are powered down. Audio is powered down. This is the default state after powerup or following a hardware reset. This state can also be used in the presence of line fault conditions and to generate open switch intervals (OSIs). This state is used in line diagnostics mode as a high impedance state during linefeed testing. A power fault condition may also force the device into the open state.
Forward Active Reverse Active	Linefeed circuitry and audio are active. In Forward Active state, the TIP lead is more positive than the RING lead; in Reverse Active state, the RING lead is more positive than the TIP lead. Loop closure and ground key detect circuitry are active.
Forward OHT Reverse OHT	Provides data transmission during an on-hook loop condition (e.g., transmitting caller ID data between ringing bursts). Linefeed circuitry and audio are active. In Forward OHT state, the TIP lead is more positive than the RING lead; in Reverse OHT state, the RING lead is more positive than the TIP lead.
TIP Open	Provides an active linefeed on the RING lead and sets the TIP lead to high impedance (>400 k Ω) for ground start operation in forward polarity. Loop closure and ground key detect circuitry are active.
RING Open	Provides an active linefeed on the TIP lead and sets the RING lead to high impedance (>400 k Ω) for ground start operation in reverse polarity. Loop closure and ground key detect circuitry are active.
Ringing	Drives programmable ringing signal onto TIP and RING leads with or without dc offset.
Line Diagnostics	The channel is put into diagnostic mode. In this mode, the channel has special diagnostic resources available.

6.2. Loop Closure Detection

The Si3217x provides a completely programmable loop closure detection mechanism. The loop closure detection scheme provides two unique thresholds to allow hysteresis, and also includes a programmable debounce filter to eliminate false detection. A loop closure detect status bit provides continuous status, and a maskable interrupt bit is also provided.

6.3. Ground Key Detection

The Si3217x provides a ground key detect mechanism using a programmable architecture similar to the loop closure scheme. The ground key detect scheme provides two unique thresholds to allow hysteresis and also includes a programmable debounce filter to eliminate false detection. A ground key detect status bit provides continuous status, and a maskable interrupt bit is also provided.

6.4. Ringing Generation

The Si3217x provides the ability to generate a programmable sinusoidal or trapezoidal ringing waveform, with or without dc offset. The ringing frequency, wave shape, cadence, and offset are all register-programmable. Three ringing modes are supported: balanced, unbalanced, and low-power ringing (LPR). Figure 16 illustrates the fundamental differences between the three ringing modes.

6.5. Polarity Reversal

The Si3217x supports polarity reversal for message waiting and various other signaling modes. The ramp rate can be programmed for a smooth or abrupt transition to accommodate different application requirements.

6.6. Two-Wire Impedance Synthesis

The ac two-wire impedance synthesis is generated on-chip using a DSP-based scheme to optimally match the output impedance of the Si3217x to the reference impedance. Most real or complex two-wire impedances can be generated with appropriate register coefficients.

6.7. Transhybrid Balance Filter

The trans-hybrid balance function is implemented on-chip using a DSP-based scheme to effectively cancel the reflected receive path signal from the transmit path.

6.8. Tone Generators

The Si3217x includes two digital tone generators that allow a wide variety of single- or dual-tone frequency and amplitude combinations. Each tone generator has its own set of registers that hold the desired frequency, amplitude, and cadence to allow generation of DTMF and call progress tones for different requirements. The tones can be directed to either receive or transmit paths.

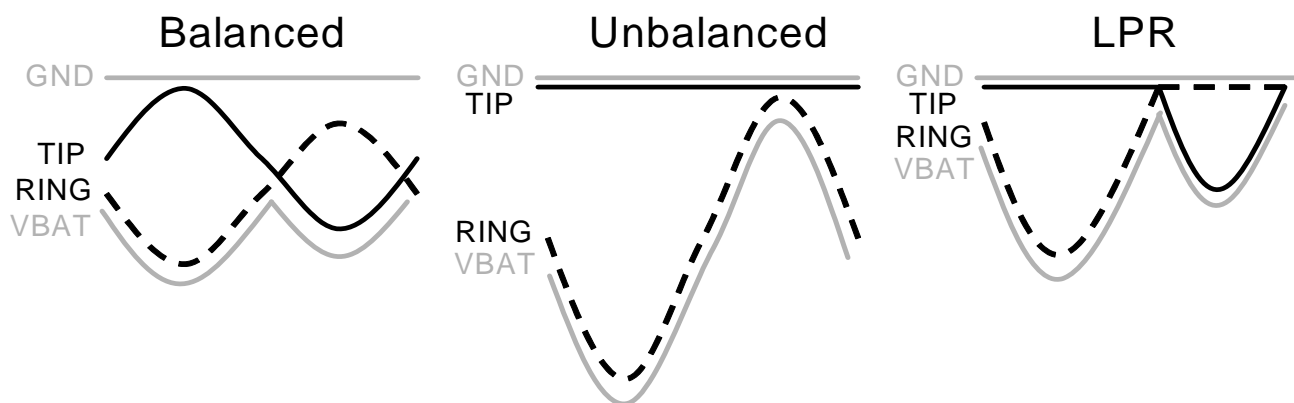


Figure 16. Ringing Modes

6.9. DTMF Detection (Si32170/1/4 Only)

In DTMF, two tones generate a DTMF digit. One tone is chosen from four possible row tones, and one tone is chosen from four possible column tones. The sum of these tones constitutes one of 16 possible DTMF digits.

6.10. Pulse Metering (Si32170/1 Only)

The pulse metering system for the Si32170/1 is designed to inject a 12 or 16 kHz billing tone into the audio path with maximum amplitude of $0.5 V_{RMS}$ at TIP and RING into a 200Ω ac load impedance. The tone is generated in the DSP via a table lookup that guarantees spectral purity by not allowing drift. The tone will ramp up until it reaches a host-programmed threshold, at which point it will maintain that level until instructed to ramp down, thus creating a trapezoidal envelope.

The amplitude is controlled by an automatic gain control circuit (AGC). While the tone is ramping up, the AGC takes the feedback audio and applies it to a band pass filter, which is programmed for the 12 or 16 kHz frequency of interest. When the peak is detected, the ramp is stopped.

See AN340 section 2.3.9 for additional details and considerations on Pulse Metering.

6.11. DC-DC Controller

The Si3217x-C devices integrate a dc-dc controller to control an external tracking dc-dc converter which generates the high voltage supply (VBAT) to the SLIC. The tracking VBAT voltage generated from a single positive dc input is optimized to minimize power consumption by closely tracking the SLIC state, even tracking the ringing waveforms.

The dc-dc controller output DCDRV is driven by an internal charge pump which allows it to connect directly to the gate of the MOSFET switch of the dc-dc converter. This eliminates the need for the MOSFET predrive circuit that is typically required when other SLICs are used with a MOSFET with V_{TH} greater than VDD. See Table 7.

6.12. Wideband Audio

The Si32174/6/7 ICs support a software-selectable wideband (50 Hz–7 kHz) and narrowband (200 Hz–3.4 kHz) audio codec. The wideband mode provides an expanded audio band at a 16-bit, 16 kHz sample rate for enhanced audio quality while maintaining standard telephony audio compatibility. Wideband audio samples are transmitted and received on the PCM interface using two consecutive 8 kHz frames.

6.13. In-Circuit and Metallic Loop Testing (MLT)

A rich set of features is provided for in-circuit testing of the FXS system and the connected telephone line (MLT):

- Tone generators
- Audio diagnostic filters
- Digital and analog loop-back modes
- Internal test load
- Monitor ADC
- DSP algorithms

Using these facilities, it is possible to test the Si3217x's dc-dc converter, codec, line-feed, PCM bus interface, DSP, SPI bus interface, and call progress state-machine as well as testing the connected telephone line and external protection circuitry.

The audio diagnostic filters on the FXS are intended to provide programmable filtering of the TX digital audio signal and calculate the peak and/or average signal power of the filters' outputs. The signal powers are then compared to programmable thresholds. The programmable filters can be used to band-pass filter a certain tone or notch out certain tones, so that the signal power measurements are frequency selective. This filtering is useful in a telephony system because it can measure harmonic distortion, intermodulation, noise, etc.

The Si3217x incorporates an internal test load resistor that can be connected across Tip/Ring (Figure 17). The audio diagnostics system and built-in test load can be used to test the FXS interface (Si3217x) itself without requiring an external load, a connected line, or any relays. This facility can be used for production and in-service testing of such things as:

- Dial tone draw/break
- Audio quality measurements
- Pulse digit detection
- DC feed
- Ringtrip
- Polarity reversal
- Transmission loss

MLT, e.g., GR-909, is facilitated by the built-in DSP, monitor ADC, and test load. They provide the ability to detect multiple fault conditions within the CPE as well as on the Tip/Ring pair (T-R). Thirteen different measured and/or calculated parameters are reported by the Monitor ADC. Host software for use in conjunction with the ProSLIC API is available from Skyworks Solutions. Typical MLT tests include:

- Hazardous Potential Test – This checks for ac voltage $> 50 V_{RMS}$ or dc voltage $> 135 V$ between Tip and Ground (T-G) or Ring and Ground (R-G).
- Foreign Electromotive Force Test – Checks T-G or R-G for ac voltage $> 10 V_{RMS}$ or dc voltage $> 6 V$. Uses same threshold as for hazardous voltage test.
- Resistive Faults Test – Checks for dc resistance from T-R, T-G or R-G. Any measurement $< 150 k\Omega$ is considered a resistive fault.
- Receiver-Off-Hook Test – Distinguishes between a T-R resistive fault and an off-hook condition.
- Ringers Test – Measures the magnitude of the connected ring load (REN) across T-R. Results are $> 0.175 REN$ and $< 5 REN$ for a valid load
- AC Line Impedance (line length) – T-R, T-G, and R-G. Generates a tone at several specific frequencies (audio band) and measures the reflected signal amplitude (complex spectrum) that comes back (with transhybrid balance filter disabled). The reflected signal is then used to calculate the line impedance based on certain assumptions of wire gauge, etc.
- Line Capacitance – T-R, T-G, R-G. Generates a linear ramp function with polarity reversal, and measures the time constant.

Si3217x-C

Diagnostic information is available even in the presence of fault conditions that cause the system's protection devices (fuses, PTCs, etc.) to open. A high-impedance sensing path (pins SRINGC and STIPC) can be used to measure the conditions on Tip/Ring even when the FXS system is effectively disconnected from the line. No relay is required and this sensing path inherently meets Dielectric Withstand per GR-49 (> 1000 V).

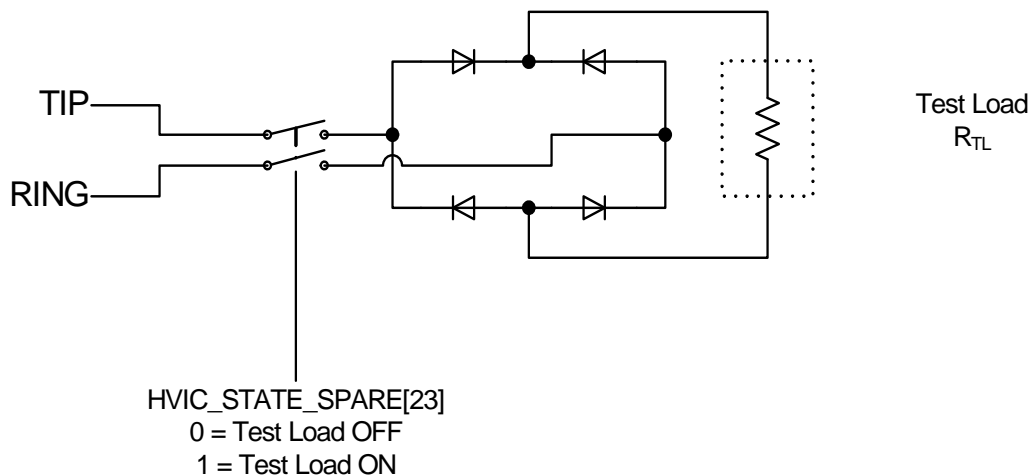


Figure 17. Si3217x Internal Test Load Circuit

7. System Interfaces

7.1. SPI Control Interface

The controller interface to the Si3217x is a 4-wire interface modeled after microcontroller and serial peripheral devices. The interface consists of a clock (SCLK), chip select (CS), serial data input (SDI), and serial data output (SDO). In addition, the ProSLIC devices feature a serial data through output (SDITHRU) to support operation of up to 16 channels using a single chip select line. The FXS port occupies one SPI channel. The device operates with both 8-bit and 16-bit SPI controllers.

7.2. PCM Interface and Companding

The Si3217x contains a flexible, programmable interface for the transmission and reception of digital PCM samples. PCM data transfer is controlled by the PCM clock (PCLK) and frame sync (FSYNC) inputs as well as the PCM Mode Select, PCM Transmit Start, and PCM Receive Start settings.

The interface can be configured to support from 4 to 128 8-bit time slots in each 125 μ s frame, corresponding to a PCM clock (PCLK) frequency range of 256 kHz to 8.192 MHz. 1.544 MHz is also supported.

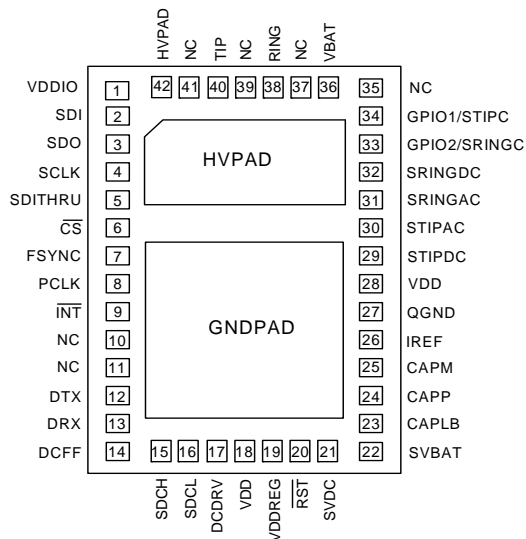
The Si3217x supports both μ -255 Law (μ -Law) and A-law companding formats in addition to 16-bit linear data mode with no companding.

7.3. Input/Output Voltage Selection

Revision C devices have the ability to gluelessly interface directly to 1.8 V devices via the PCM, SPI, Interrupt and RESET pins (SCLK, CS, SDI, SDO, SDITHRU, PCLK, FSYNC, DTX, DRX, INT, RST). The I/O voltage selection is made by attaching the desired voltage (3.3 V or 1.8 V) to the VDDIO pin (pin 1).

Si3217x-C

8. Pin Descriptions: Si3217x-C



Pin #	Pin Name	Description
1	VDDIO	IO Voltage Supply (3.3 V or 1.8 V).
2	SDI	Serial Port Data Input. Serial port control data input.
3	SDO	Serial Port Data Output. Serial port control data output.
4	SCLK	Serial Port Bit Clock Input. Serial port clock input. Controls the serial data on SDO and latches the data on SDI.
5	SDITHRU	SDI Passthrough. Cascaded SDI output signal for daisy-chain mode.
6	$\overline{\text{CS}}$	Chip Select Input. Active low. When inactive, SCLK and SDI are ignored and SDO is high impedance. When active, the serial port is operational.
7	FSYNC	Frame Sync Clock Input. 8 kHz frame synchronization signal for the PCM bus. May be short or long pulse format.
8	PCLK	PCM Bus Clock Input. Clock input for PCM bus timing.
9	$\overline{\text{INT}}$	Interrupt Output. Maskable interrupt output. Open drain output for wire-ORed operation.
10	NC	No connection.
11	NC	No connection.
12	DTX	Transmit PCM Data Output. Output data to PCM bus.

Pin #	Pin Name	Description
13	DRX	Transmit PCM Data Input. Input data from PCM bus.
14	DCFF	DC Feed-Forward/High Current General Purpose Output Feed-forward drive of external bipolar transistors to improve dc-dc converter efficiency
15	SDCH	DC Monitor. DC-DC converter monitor input used to detect overcurrent situations in the converter
16	SDCL	DC Monitor. DC-DC converter monitor input used to detect overcurrent situations in the converter.
17	DCDRV	DC Drive/Battery Switch. DC-DC converter control signal output which drives external bipolar transistor.
18	VDD	IC Voltage Supply. 3.3 V supply for internal circuitry.
19	VDDREG	1.8 V Regulated Core Power Supply.
20	$\overline{\text{RST}}$	Reset Input. Active low input. Hardware reset used to place all control registers in the default state.
21	SVDC	DC-DC Input Voltage Sensor. Senses V_{DC} input to dc-dc converter.
22	SVBAT	VBAT Sense. Analog current input used to sense voltage on dc-dc converter output voltage lead.
23	CAPLB	Calibration Capacitor.
24	CAPP	SLIC Stabilization Capacitor. Capacitor used in low pass filter to stabilize SLIC feedback loops.
25	CAPM	SLIC Stabilization Capacitor. Capacitor used in low pass filter to stabilize SLIC feedback loops.
26	IREF	Current Reference Input. Connects to an external resistor used to provide a high accuracy reference current.
27	QGND	Quiet Ground Reference Input.
28	VDD	IC Voltage Supply. 3.3 V supply for internal circuitry.
29	STIPDC	TIP DC Sense. Analog current input used to sense voltage on the TIP lead.
30	STIPAC	TIP AC Sense Input. Analog ac input used to detect voltage on the TIP lead.

Si3217x-C

Pin #	Pin Name	Description
31	SRINGAC	RING AC Sense Input. Analog ac input used to detect voltage on the RING lead
32	SRINGDC	RING DC Sense Input. Analog current input used to sense voltage on the RING lead.
33	GPIO2 SRINGC	General Purpose I/O. RING Coarse Sense Input. Voltage sensing outside protection circuit.
34	GPIO1 STIPC	General Purpose I/O. TIP Coarse Sense Input. Voltage sensing outside protection circuit.
35	NC	No Connect. This pin should be left unbiased.
36	VBAT	Battery Voltage Supply. Connect to battery supply from dc-dc converter.
37	NC	No Connect. This pin should be left unbiased.
38	RING	RING Terminal. Connect to the RING lead of the subscriber loop.
39	NC	No Connect. This pin should be left unbiased.
40	TIP	TIP Terminal. Connect to the TIP lead of the subscriber loop.
41	NC	No Connect. This pin should be left unbiased.
42	NC	No Connect. This pin is internally connected to HVPAD and should be left unbiased.
43	HVPAD	Exposed Paddle. Connect to electrically-isolated low thermal impedance inner layer and/or backside thermal plane using multiple thermal vias.
44	GNDPAD	Exposed Paddle. Connect to ground.

9. Ordering Guide

Table 18. Si3217x Revision C Ordering Guide

P/N ¹	Description	Package Type	Max V _{BAT}	Temperature
Si32170-C-FM1	Narrowband FXS, PCM Interface, DTMF detection, pulse metering	LGA ²	-140 V	0 to 70 °C
Si32170-C-GM1	Narrowband FXS, PCM Interface, DTMF detection, pulse metering	LGA ²	-140 V	-40 to 85 °C
Si32171-C-FM1	Narrowband FXS, PCM Interface, DTMF detection, pulse metering	LGA ²	-110 V	0 to 70 °C
Si32171-C-GM1	Narrowband FXS, PCM Interface, DTMF detection, pulse metering	LGA ²	-110 V	-40 to 85 °C
Si32174-C-FM1	Wideband capable FXS, PCM Interface, DTMF detection	LGA ²	-110 V	0 to 70 °C
Si32174-C-GM1	Wideband capable FXS, PCM Interface, DTMF detection	LGA ²	-110 V	-40 to 85 °C
Si32176-C-FM1	Wideband capable FXS, PCM Interface	LGA ²	-110 V	0 to 70 °C
Si32176-C-GM1	Wideband capable FXS, PCM Interface	LGA ²	-110 V	-40 to 85 °C
Si32177-C-FM1	Wideband capable FXS, PCM Interface	LGA ²	-140 V	0 to 70 °C
Si32177-C-GM1	Wideband capable FXS, PCM Interface	LGA ²	-140 V	-40 to 85 °C

Notes:

1. Adding the suffix "R" to the part number (e.g. Si32176-C-FM1R) denotes tape and reel.
2. LGA - Land Grid Array.

Si3217x-C

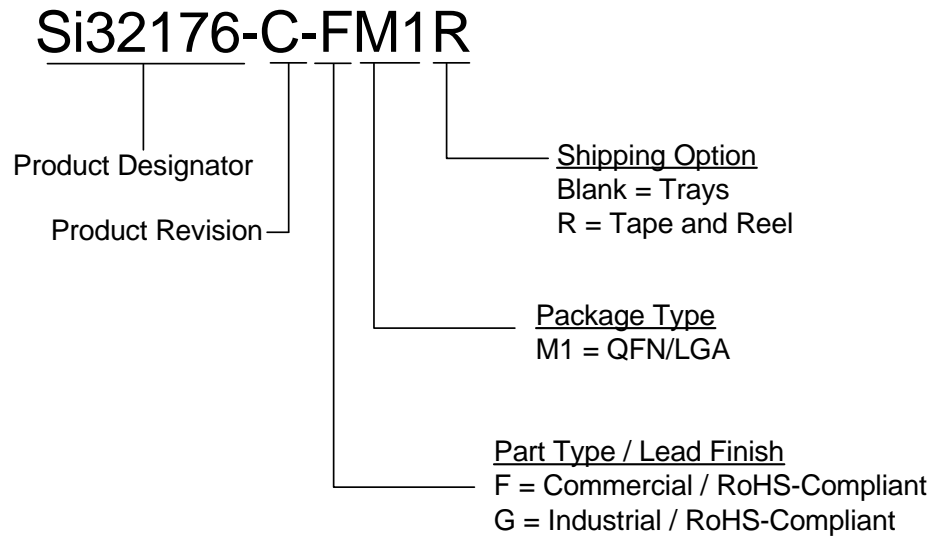
Table 19. Ordering Guide—Si3217x Revision C Evaluation Kits

Part Number	Description	V_{BAT} Max
Si32171CFB10SL0EVB	Narrowband FXS with DTMF detection and pulse metering, 110 V Flyback dc-dc converter (MOSFET and transformer based) EVB	-110 V
Si32174CQC10SL0EVB	Wideband FXS with DTMF detection, 100 V low cost quasi-Cuk dc-dc converter (NMOS FET and inductor based) EVB	-100 V
Si32176CBB10SL0EVB	Wideband FXS, 100 V buck-boost dc-dc converter (BJT and inductor based) EVB	-100 V
Si32177CFB10SL0EVB	Wideband FXS, 138 V flyback dc-dc converter (MOSFET and transformer based) EVB	-138 V

10. Product Identification

The product identification number is a finished goods part number or is specified by a finished goods part number, such as a special customer part number.

Example:



Si3217x-C

11. Package Outline

11.1. 42-Pin QFN/LGA

Figure 18 illustrates the package details for the Si3217x. Table 20 lists the values for the dimensions shown in the illustration.

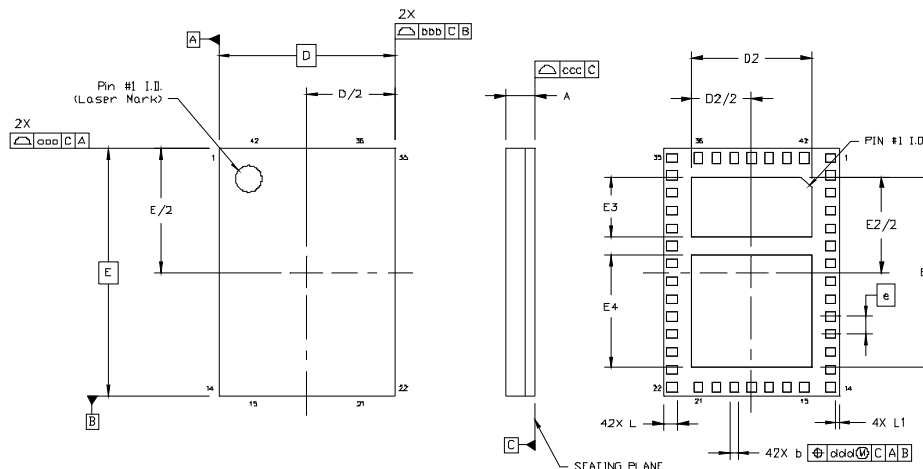


Figure 18. 42-Pin QFN/LGA Package

Table 20. 42-Pin QFN/LGA Package Diagram Dimensions

Dimension	Min	Nom	Max
A	0.80	0.85	0.90
b	0.20	0.25	0.30
D	5.00 BSC		
D2	3.35	3.40	3.45
e	0.50 BSC		
E	7.00 BSC		
E2	5.35	5.40	5.45
E3	1.65	1.70	1.75
E4	3.15	3.20	3.25
L	0.35	0.40	0.45
L1	0.05	0.10	0.15
aaa	—	—	0.10
bbb	—	—	0.10
ccc	—	—	0.08
ddd	—	—	0.10

Notes:

1. All dimensions shown are in millimeters (mm) unless otherwise noted.
2. Dimensioning and Tolerancing per ANSI Y14.5M-1994.
3. Recommended card reflow profile is per the JEDEC/IPC J-STD-020C specification for Small Body Components.

12. PCB Land Pattern Si3217x QFN

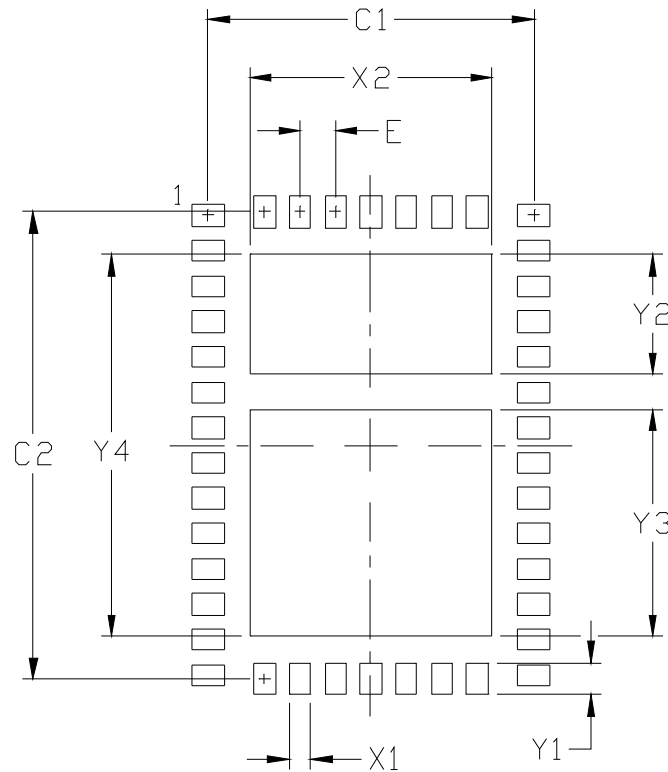


Table 21. PCB Land Pattern

Dimension	mm
C1	4.60
C2	6.60
E	0.50
X1	0.30
X2	3.45
Y1	0.45
Y2	1.75
Y3	3.25
Y4	5.45

Notes:**General**

1. All dimensions shown are in millimeters (mm).
2. This Land Pattern Design is based on the IPC-7351 guidelines.
3. All dimensions shown are at Maximum Material Condition (MMC). Least Material Condition (LMC) is calculated based on a Fabrication Allowance of 0.05 mm.

Si3217x-C

12.1. QFN PCB Design

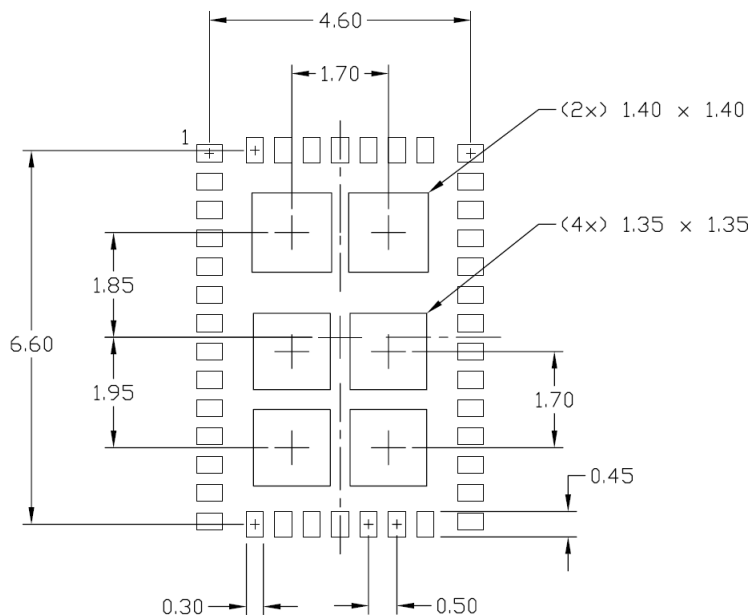
1. PCB design must ensure sufficient thermal relief for high power operation of the device. See layout guidelines in application note AN340 for further details.
2. A minimum of four vias are required under each E-Pad. Eight or more vias are recommended.
3. Via diameter should be between 0.20 and 0.31 mm.
4. Vias should either be filled or tented on the top side of the board to prevent solder thieving under the device.

12.2. QFN Solder Mask Design

All metal pads are to be non-solder mask defined (NSMD). Clearance between the solder mask and the metal pad is to be 60 μm minimum, all the way around the pad.

12.3. QFN Stencil Design

1. A stainless steel, laser-cut and electro-polished stencil with trapezoidal walls should be used to assure good solder paste release.
2. The stencil thickness should be 0.125 mm (5 mils).
3. The ratio of stencil aperture to land pad size should be 1:1 for all perimeter pads.
4. A 1x2 array of 1.40 mm square openings on 1.7 mm pitch should be used for the top center pad and a 2x2 array of 1.35 mm square openings on 1.7 mm pitch should be used for the bottom center pad (as shown below).

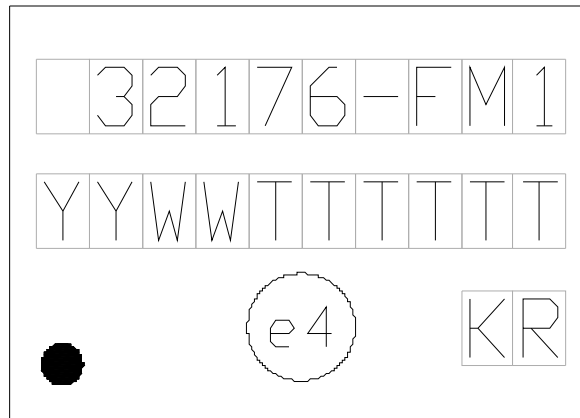


12.4. QFN Card Assembly

1. A No-Clean, Type-3 solder paste is recommended.
2. The recommended card reflow profile is per the JEDEC/IPC J-STD-020D specification for Small Body Components.

13. Top Markings

13.1. Si3217x-C Package Top Marking



13.2. Si3217x-C LGA Package Top Marking Explanation

Line 1 Marking:	Device Part Number	e.g., 32176-FM1
Line 2 Marking:	YY = Year WW = Work Week	Assigned by the Assembly House. Corresponds to the year and work week of the assembly release.
	TTTTTT = Mfg Code	Manufacturing Code from the Assembly Purchase Order form.
Line 3 Marking:	Circle = 0.5 mm Diameter Lower Left-Justified	Pin 1 Identifier
	Circle = 1.3 mm Diameter Center-Justified	"e4" Pb-Free Symbol
	Country of Origin ISO Code Abbreviation	e.g., KR

DOCUMENT CHANGE LIST

Revision 0.1 (Revision B to Revision C)

- First version of Si3217x revision C data sheet, based on Si3217x-Si3291x data sheet version 1.3
- Removed all references to Si32178 and Si3291x. DAA functionality for FXO support is not included in revision C devices. Refer to the most recent revision B data sheet for more information on these devices.
- Table 2 power supply characteristics changed to TBD pending characterization of revision C silicon
- Added support for 1.8 V I/O. Pin 1 changes from VDDHV to VDDIO (no impact to 3.3 V designs)
- Changed names of VDDA and VDDD pins to VDD.
- Added charge pump on DCDRV output to enable direct connection to dc-dc converter MOSFETs, see Table 12. Charge Pump Characteristics
- Si32171 pulse metering amplitude reduced to 0.5 VRMS
- Added new PMOS buck boost dc-dc converter schematics and EVBs
- Increased maximum VBAT of Si32177 to -140 V

Revision 0.1 to Revision 1.0

- Added new part number Si32170
- Corrected formatting
- Added additional thermal resistance values θ_{JB} and θ_{JC}
- Added supply current measurements to Table 2
- Changed test load resistor value to 2.2 k Ω (typical), was 5.3 k Ω in rev B
- Updated EVB ordering guide with new part numbers for revision C evaluation boards
- Corrected single frequency distortion (8-bit) values in Table 3 to show a maximum of -40 dB
- Deleted Table 5 (Monitor ADC Characteristics for FXS) to be consistent with Si3226x data sheets

Revision 1.0 to Revision 1.1

- Added new part number Si32174 (wideband with DTMF detection)
- Renamed EPADs to use more descriptive names, HVPAD and GNDPAD
- Updated EVB part numbers
- Changed R_{TL} specification in Table 4 to replace typical value with a range from minimum to maximum
- Added support for 256 kHz PCLK over full temperature range.
- Removed notes specifying voltage and temperature conditions for Tables 2 through 9.
- Replaced PMOS buck boost DC-DC converter reference schematic with a quasi-Ćuk type design



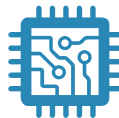
SKYWORKS®

**Connecting Everyone
and Everything,
All the Time**



Portfolio

www.skyworksinc.com



Quality

www.skyworksinc.com/quality



Support & Resources

www.skyworksinc.com/support

Copyright © 2021 Skyworks Solutions, Inc. All Rights Reserved.

Information in this document is provided in connection with Skyworks Solutions, Inc. ("Skyworks") products or services. These materials, including the information contained herein, are provided by Skyworks as a service to its customers and may be used for informational purposes only by the customer. Skyworks assumes no responsibility for errors or omissions in these materials or the information contained herein. Skyworks may change its documentation, products, services, specifications or product descriptions at any time, without notice. Skyworks makes no commitment to update the materials or information and shall have no responsibility whatsoever for conflicts, incompatibilities, or other difficulties arising from any future changes.

No license, whether express, implied, by estoppel or otherwise, is granted to any intellectual property rights by this document. Skyworks assumes no liability for any materials, products or information provided hereunder, including the sale, distribution, reproduction or use of Skyworks products, information or materials, except as may be provided in Skyworks' Terms and Conditions of Sale.

THE MATERIALS, PRODUCTS AND INFORMATION ARE PROVIDED "AS IS" WITHOUT WARRANTY OF ANY KIND, WHETHER EXPRESS, IMPLIED, STATUTORY, OR OTHERWISE, INCLUDING FITNESS FOR A PARTICULAR PURPOSE OR USE, MERCHANTABILITY, PERFORMANCE, QUALITY OR NON-INFRINGEMENT OF ANY INTELLECTUAL PROPERTY RIGHT; ALL SUCH WARRANTIES ARE HEREBY EXPRESSLY DISCLAIMED. SKYWOKS DOES NOT WARRANT THE ACCURACY OR COMPLETENESS OF THE INFORMATION, TEXT, GRAPHICS OR OTHER ITEMS CONTAINED WITHIN THESE MATERIALS. SKYWOKS SHALL NOT BE LIABLE FOR ANY DAMAGES, INCLUDING BUT NOT LIMITED TO ANY SPECIAL, INDIRECT, INCIDENTAL, STATUTORY, OR CONSEQUENTIAL DAMAGES, INCLUDING WITHOUT LIMITATION, LOST REVENUES OR LOST PROFITS THAT MAY RESULT FROM THE USE OF THE MATERIALS OR INFORMATION, WHETHER OR NOT THE RECIPIENT OF MATERIALS HAS BEEN ADVISED OF THE POSSIBILITY OF SUCH DAMAGE.



Skyworks products are not intended for use in medical, lifesaving or life-sustaining applications, or other equipment in which the failure of the Skyworks products could lead to personal injury, death, physical or environmental damage. Skyworks customers using or selling Skyworks products for use in such applications do so at their own risk and agree to fully indemnify Skyworks for any damages resulting from such improper use or sale.

Customers are responsible for their products and applications using Skyworks products, which may deviate from published specifications as a result of design defects, errors, or operation of products outside of published parameters or design specifications. Customers should include design and operating safeguards to minimize these and other risks. Skyworks assumes no liability for applications assistance, customer product design, or damage to any equipment resulting from the use of Skyworks products outside of Skyworks' published specifications or parameters.

Skyworks, the Skyworks symbol, Sky5®, SkyOne®, SkyBlue™, Skyworks Green™, Clockbuilder®, DSPLL®, ISOModem®, ProSLIC®, and SiPHY® are trademarks or registered trademarks of Skyworks Solutions, Inc. or its subsidiaries in the United States and other countries. Third-party brands and names are for identification purposes only and are the property of their respective owners. Additional information, including relevant terms and conditions, posted at www.skyworksinc.com, are incorporated by reference.

Looking for pricing, stock, or lifecycle information?

Click below to explore more details on WIN SOURCE:

-  [View SI32174-C-GM1 on WIN SOURCE](#)
-  [Skyworks Solutions Inc. Information](#)

Optimize Your Supply Chain with WIN SOURCE Solutions

-  Global Sourcing Solution
-  Obsolete Management
-  Cost Control Management
-  Shortage Management
-  Alternative Solution
-  Excess Inventory Management