



**THE DATASHEET OF
SN74BCT25245DWG4**

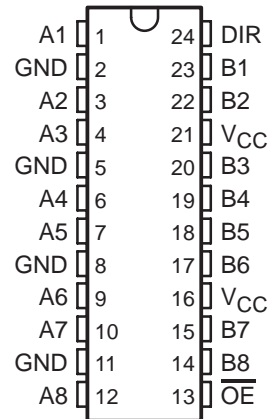


SN54BCT25245, SN74BCT25245 25-Ω OCTAL BUS TRANSCEIVERS WITH 3-STATE OUTPUTS

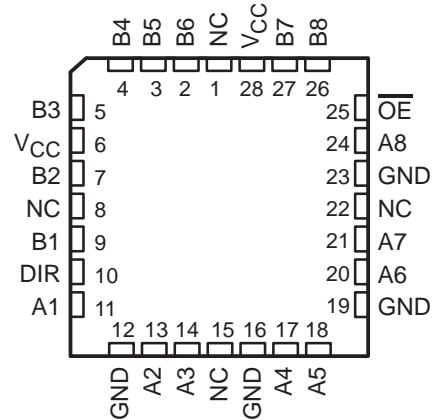
SCBS053B – MAY 1990 – REVISED APRIL 1994

- State-of-the-Art BiCMOS Design Significantly Reduces I_{CCZ}
- ESD Protection Exceeds 2000 V Per MIL-STD-883C, Method 3015; Exceeds 200 V Using Machine Model ($C = 200$ pF, $R = 0$)
- Designed to Facilitate Incident-Wave Switching for Line Impedances of 25 Ω or Greater
- Distributed V_{CC} and GND Pins Minimize Noise Generated by the Simultaneous Switching of Outputs
- Package Options Include Plastic Small-Outline (DW) Packages, Ceramic Chip Carriers (FK) and Flatpacks (W), and Standard Plastic and Ceramic 300-mil DIPs (JT, NT)

SN54BCT25245 . . . JT OR W PACKAGE
SN74BCT25245 . . . DW OR NT PACKAGE
(TOP VIEW)



SN54BCT25245 . . . FK PACKAGE
(TOP VIEW)



NC – No internal connection

description

The 'BCT25245 is a 25-Ω octal bus transceiver designed for asynchronous communication between data buses. It improves both the performance and density of 3-state memory address drivers, clock drivers, and bus-oriented transceivers.

The device allows data transmission from the A bus to the B bus or from the B bus to the A bus depending upon the logic level at the direction-control (DIR) input. The output-enable (\overline{OE}) input can disable the device so that both buses are effectively isolated.

These transceivers are capable of sinking 188-mA I_{OL} , which facilitates switching 25-Ω transmission lines on the incident wave. The distributed V_{CC} and GND pins minimize switching noise for more reliable system operation.

The SN54BCT25245 is characterized for operation over the full military temperature range of -55°C to 125°C. The SN74BCT25245 is characterized for operation from 0°C to 70°C.

FUNCTION TABLE

INPUTS		OPERATION
\overline{OE}	DIR	
L	L	B data to A bus
L	H	A data to B bus
H	X	Isolation

UNLESS OTHERWISE NOTED this document contains PRODUCTION DATA information current as of publication date. Products conform to specifications per the terms of Texas Instruments standard warranty. Production processing does not necessarily include testing of all parameters.



Copyright © 1994, Texas Instruments Incorporated

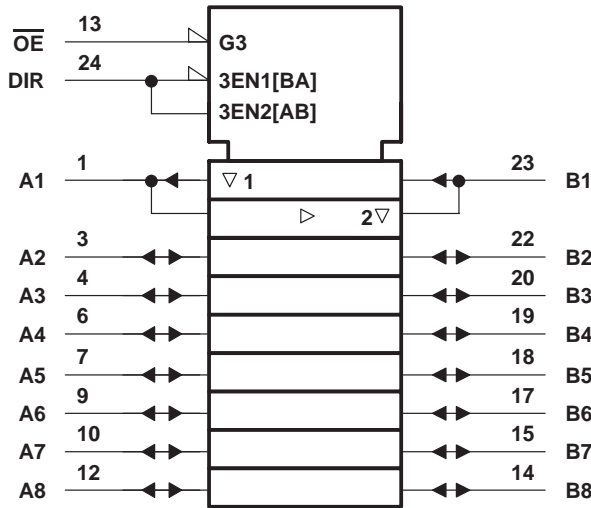
SN54BCT25245, SN74BCT25245

25-Ω OCTAL BUS TRANSCEIVERS

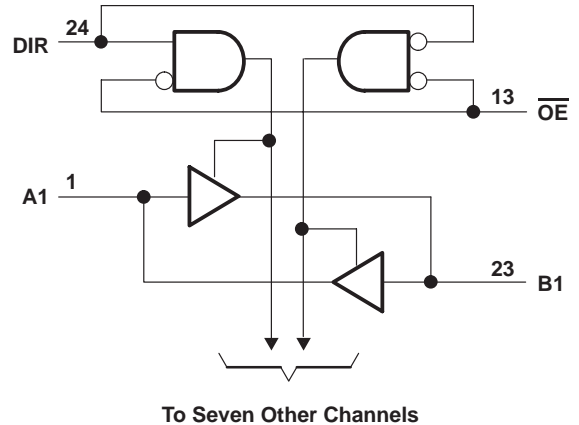
WITH 3-STATE OUTPUTS

SCBS053B – MAY 1990 – REVISED APRIL 1994

logic symbol†



logic diagram (positive logic)



† This symbol is in accordance with ANSI/IEEE Std 91-1984 and IEC Publication 617-12.

Pin numbers shown are for the DW, JT, NT, and W packages.

absolute maximum ratings over operating free-air temperature range (unless otherwise noted)‡

Supply voltage range, V_{CC}	-0.5 V to 7 V
Input voltage range, V_I (see Note 1): Control inputs	-0.5 V to 7 V
I/O ports	-0.5 V to 5.5 V
Voltage range applied to any output in the disabled or power-off state, V_O	-0.5 V to 5.5 V
Voltage range applied to any output in the high state, V_O (B port)	-0.5 V to V_{CC}
Input clamp current, I_{IK}	-30 mA
Current into any output in the low state, I_O : SN54BCT25245 (A port)	250 mA
SN54BCT25245 (B port)	40 mA
SN74BCT25245 (A port)	376 mA
SN74BCT25245 (B port)	48 mA
Operating free-air temperature range: SN54BCT25245	-55°C to 125°C
SN74BCT25245	0°C to 70°C
Storage temperature range	-65°C to 150°C

‡ Stresses beyond those listed under "absolute maximum ratings" may cause permanent damage to the device. These are stress ratings only, and functional operation of the device at these or any other conditions beyond those indicated under "recommended operating conditions" is not implied. Exposure to absolute-maximum-rated conditions for extended periods may affect device reliability.

NOTE 1: The input and output negative-voltage ratings may be exceeded if the input and output clamp-current ratings are observed.



SN54BCT25245, SN74BCT25245 25-Ω OCTAL BUS TRANSCEIVERS WITH 3-STATE OUTPUTS

SCBS053B – MAY 1990 – REVISED APRIL 1994

recommended operating conditions

		SN54BCT25245			SN74BCT25245			UNIT
		MIN	NOM	MAX	MIN	NOM	MAX	
V _{CC}	Supply voltage	4.5	5	5.5	4.5	5	5.5	V
V _{IH}	High-level input voltage	2			2			V
V _{IL}	Low-level input voltage			0.8			0.8	V
I _{IK}	Input clamp current			-18			-18	mA
I _{OH}	High-level output current	A port		-53	B port		-80	mA
		B port		-3	A port		-3	
I _{OL}	Low-level output current	A port		125	B port		188	mA
		B port		20	A port		24	
T _A	Operating free-air temperature	-55		125	0		70	°C

electrical characteristics over recommended operating free-air temperature range (unless otherwise noted)

PARAMETER		TEST CONDITIONS		SN54BCT25245			SN74BCT25245			UNIT
				MIN	TYP†	MAX	MIN	TYP†	MAX	
V _{IK}		V _{CC} = 4.5 V, I _I = -18 mA		-1.2			-1.2			V
V _{OH}	A port	V _{CC} = 4.5 V	I _{OH} = -53 mA	2						V
			I _{OH} = -80 mA				2			
	V _{CC} = 4.75 V, I _{OH} = -3 mA				2.7					
B port	V _{CC} = 4.5 V, I _{OH} = -3 mA	2.4 3.3		2.4 3.3						
V _{OL}	A port	V _{CC} = 4.5 V	I _{OL} = 94 mA	0.38 0.55		0.42 0.55				V
			I _{OL} = 125 mA	0.8						
			I _{OL} = 188 mA					0.7		
	B port	V _{CC} = 4.5 V	I _{OL} = 20 mA	0.3 0.5						
			I _{OL} = 24 mA			0.35 0.5				
I _I	A or B port	V _{CC} = 5.5 V, V _I = 5.5 V		0.25			0.25			mA
	Control input	V _{CC} = 5.5 V, V _I = 5.5 V		0.1			0.1			
I _{IH} ‡	A or B port	V _{CC} = 5.5 V, V _I = 2.7 V		70			70			μA
	Control input	V _{CC} = 5.5 V, V _I = 2.7 V		20			20			
I _{IL} ‡	A or B port	V _{CC} = 5.5 V, V _I = 0.5 V		-0.6			-0.6			mA
	Control input	V _{CC} = 5.5 V, V _I = 0.5 V		-0.6			-0.6			
I _{OS} §	B port only¶	V _{CC} = 5.5 V, V _O = 0		-60 -150		-60 -150				mA
I _{CCH}	A to B	V _{CC} = 5.5 V		36 46		36 46				mA
	B to A	V _{CC} = 5.5 V		63 80		63 80				
I _{CCL}	A to B	V _{CC} = 5.5 V		48 60		48 60				mA
	B to A	V _{CC} = 5.5 V		95 125		95 125				
I _{CCZ}		V _{CC} = 5.5 V		12 16		12 16				mA
C _i	Control input	V _{CC} = 5 V, V _I = 2.5 V or 0.5 V		8		8				pF
C _{io}	A port	V _{CC} = 5 V, V _O = 2.5 V or 0.5 V		18		18				pF
	B port	V _{CC} = 5 V, V _O = 2.5 V or 0.5 V		8		8				

† All typical values are at V_{CC} = 5 V, T_A = 25°C.

‡ For I/O ports, the parameters I_{IH} and I_{IL} include the off-state output current.

§ Not more than one output should be tested at a time, and the duration of the test should not exceed one second.

¶ Testing for this parameter on the A port is not recommended.

PRODUCT PREVIEW information concerns products in the formative or design phase of development. Characteristic data and other specifications are design goals. Texas Instruments reserves the right to change or discontinue these products without notice.



SN54BCT25245, SN74BCT25245 25-Ω OCTAL BUS TRANSCEIVERS WITH 3-STATE OUTPUTS

SCBS053B – MAY 1990 – REVISED APRIL 1994

switching characteristics (see Note 2)

PARAMETER	FROM (INPUT)	TO (OUTPUT)	V _{CC} = 5 V, C _L = 50 pF, R ₁ = 500 Ω, R ₂ = 500 Ω, T _A = 25°C			V _{CC} = 4.5 V to 5.5 V, C _L = 50 pF, R ₁ = 500 Ω, R ₂ = 500 Ω, T _A = MIN to MAX†				UNIT
			BCT25245			SN54BCT25245		SN74BCT25245		
			MIN	TYP	MAX	MIN	MAX	MIN	MAX	
t _{PLH}	A	B	1.2	3.3	5.1	1.2	5.8	1.2	5.7	ns
t _{PHL}			1.9	4.3	6.7	1.9	7.6	1.9	7.2	
t _{PLH}	B	A	1.2	3.3	4.8	1.2	5.7	1.2	5.5	ns
t _{PHL}			2.1	4	5.6	2.1	6.4	2.1	6.2	
t _{PZH}	$\overline{\text{OE}}$	A	3.7	6.3	8.4	3.7	10.1	3.7	9.6	ns
t _{PZL}			4.5	7.4	9.2	4.5	11.1	4.5	10.3	
t _{PHZ}	$\overline{\text{OE}}$	A	1.8	3.7	5.5	1.8	6.4	1.8	6.2	ns
t _{PLZ}			3.3	5.1	7.2	3.3	9.6	3.3	8.3	
t _{PZH}	$\overline{\text{OE}}$	B	3.4	5.7	7.9	3.4	9.2	3.4	8.9	ns
t _{PZL}			4.3	6.6	8.7	4.3	10.1	4.3	9.7	
t _{PHZ}	$\overline{\text{OE}}$	B	2.7	4.5	6.3	2.7	7.2	2.7	6.9	ns
t _{PLZ}			1.7	4.5	6.8	1.7	8.3	1.7	7.5	

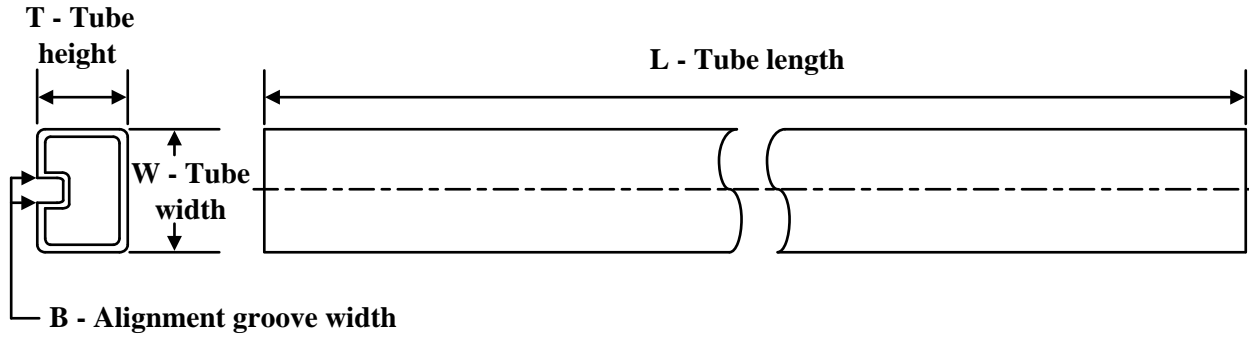
† For conditions shown as MIN or MAX, use the appropriate value specified under recommended operating conditions.

NOTE 2: Load circuits and voltage waveforms are shown in Section 1.

PRODUCT PREVIEW information concerns products in the formative or design phase of development. Characteristic data and other specifications are design goals. Texas Instruments reserves the right to change or discontinue these products without notice.



POST OFFICE BOX 655303 • DALLAS, TEXAS 75265
POST OFFICE BOX 1443 • HOUSTON, TEXAS 77251-1443

TUBE


*All dimensions are nominal

Device	Package Name	Package Type	Pins	SPQ	L (mm)	W (mm)	T (μm)	B (mm)
SN74BCT25245DW	DW	SOIC	24	25	506.98	12.7	4826	6.6

IMPORTANT NOTICE AND DISCLAIMER

TI PROVIDES TECHNICAL AND RELIABILITY DATA (INCLUDING DATA SHEETS), DESIGN RESOURCES (INCLUDING REFERENCE DESIGNS), APPLICATION OR OTHER DESIGN ADVICE, WEB TOOLS, SAFETY INFORMATION, AND OTHER RESOURCES "AS IS" AND WITH ALL FAULTS, AND DISCLAIMS ALL WARRANTIES, EXPRESS AND IMPLIED, INCLUDING WITHOUT LIMITATION ANY IMPLIED WARRANTIES OF MERCHANTABILITY, FITNESS FOR A PARTICULAR PURPOSE OR NON-INFRINGEMENT OF THIRD PARTY INTELLECTUAL PROPERTY RIGHTS.

These resources are intended for skilled developers designing with TI products. You are solely responsible for (1) selecting the appropriate TI products for your application, (2) designing, validating and testing your application, and (3) ensuring your application meets applicable standards, and any other safety, security, regulatory or other requirements.

These resources are subject to change without notice. TI grants you permission to use these resources only for development of an application that uses the TI products described in the resource. Other reproduction and display of these resources is prohibited. No license is granted to any other TI intellectual property right or to any third party intellectual property right. TI disclaims responsibility for, and you will fully indemnify TI and its representatives against, any claims, damages, costs, losses, and liabilities arising out of your use of these resources.

TI's products are provided subject to [TI's Terms of Sale](#) or other applicable terms available either on [ti.com](https://www.ti.com) or provided in conjunction with such TI products. TI's provision of these resources does not expand or otherwise alter TI's applicable warranties or warranty disclaimers for TI products.

TI objects to and rejects any additional or different terms you may have proposed.

Mailing Address: Texas Instruments, Post Office Box 655303, Dallas, Texas 75265
Copyright © 2023, Texas Instruments Incorporated

Looking for pricing, stock, or lifecycle information?

Click below to explore more details on WIN SOURCE:

 [View SN74BCT25245DWG4 on WIN SOURCE](#)

 [Texas Instruments](#) Information

Optimize Your Supply Chain with WIN SOURCE Solutions

-  Global Sourcing Solution
-  Obsolete Management
-  Cost Control Management
-  Shortage Management
-  Alternative Solution
-  Excess Inventory Management