



**THE DATASHEET OF  
SN74LVC16543DGGR**



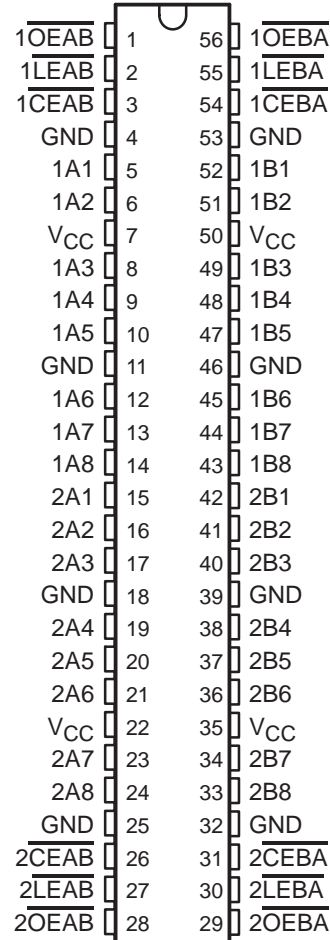
# SN74LVC16543

## 16-BIT REGISTERED TRANSCEIVER WITH 3-STATE OUTPUTS

SCAS317A – NOVEMBER 1993 – REVISED OCTOBER 1995

- Member of the Texas Instruments *Widebus™* Family
- EPIC™ (Enhanced-Performance Implanted CMOS) Submicron Process
- Typical  $V_{OLP}$  (Output Ground Bounce)  $< 0.8\text{ V}$  at  $V_{CC} = 3.3\text{ V}$ ,  $T_A = 25^\circ\text{C}$
- Typical  $V_{OHV}$  (Output  $V_{OH}$  Undershoot)  $> 2\text{ V}$  at  $V_{CC} = 3.3\text{ V}$ ,  $T_A = 25^\circ\text{C}$
- Latch-Up Performance Exceeds 250 mA Per JEDEC Standard JESD-17
- Bus Hold on Data Inputs Eliminates the Need for External Pullup/Pulldown Resistors
- Package Options Include Plastic 300-mil Shrink Small-Outline (DL) and Thin Shrink Small-Outline (DGG) Packages

DGG OR DL PACKAGE  
(TOP VIEW)



### description

This 16-bit registered transceiver is designed for low-voltage (3.3-V)  $V_{CC}$  operation.

The SN74LVC16543 can be used as two 8-bit transceivers or one 16-bit transceiver. Separate latch-enable ( $\overline{LEAB}$  or  $\overline{LEBA}$ ) and output-enable ( $\overline{OEAB}$  or  $\overline{OEBA}$ ) inputs are provided for each register to permit independent control in either direction of data flow.

The A-to-B enable ( $\overline{CEAB}$ ) input must be low in order to enter data from A or to output data from B. If  $\overline{CEAB}$  is low and  $\overline{LEAB}$  is low, the A-to-B latches are transparent; a subsequent low-to-high transition of  $\overline{LEAB}$  puts the A latches in the storage mode. With  $\overline{CEAB}$  and  $\overline{OEAB}$  both low, the 3-state B outputs are active and reflect the data present at the output of the A latches. Data flow from B to A is similar but requires using the  $\overline{CEBA}$ ,  $\overline{LEBA}$ , and  $\overline{OEBA}$  inputs.

To ensure the high-impedance state during power up or power down,  $\overline{OE}$  should be tied to  $V_{CC}$  through a pullup resistor; the minimum value of the resistor is determined by the current-sinking capability of the driver.

Active bus-hold circuitry is provided to hold unused or floating data inputs at a valid logic level.

The SN74LVC16543 is characterized for operation from  $-40^\circ\text{C}$  to  $85^\circ\text{C}$ .



Please be aware that an important notice concerning availability, standard warranty, and use in critical applications of Texas Instruments semiconductor products and disclaimers thereto appears at the end of this data sheet.

EPIC and Widebus are trademarks of Texas Instruments Incorporated.

PRODUCTION DATA information is current as of publication date. Products conform to specifications per the terms of Texas Instruments standard warranty. Production processing does not necessarily include testing of all parameters.



POST OFFICE BOX 655303 • DALLAS, TEXAS 75265

Copyright © 1995, Texas Instruments Incorporated

# SN74LVC16543 16-BIT REGISTERED TRANSCEIVER WITH 3-STATE OUTPUTS

SCAS317A – NOVEMBER 1993 – REVISED OCTOBER 1995

---

FUNCTION TABLE†  
(each 8-bit section)

INPUTS				OUTPUT
$\overline{CEAB}$	$\overline{LEAB}$	$\overline{OEAB}$	A	B
H	X	X	X	Z
X	X	H	X	Z
L	H	L	X	$B_0^\ddagger$
L	L	L	L	L
L	L	L	H	H

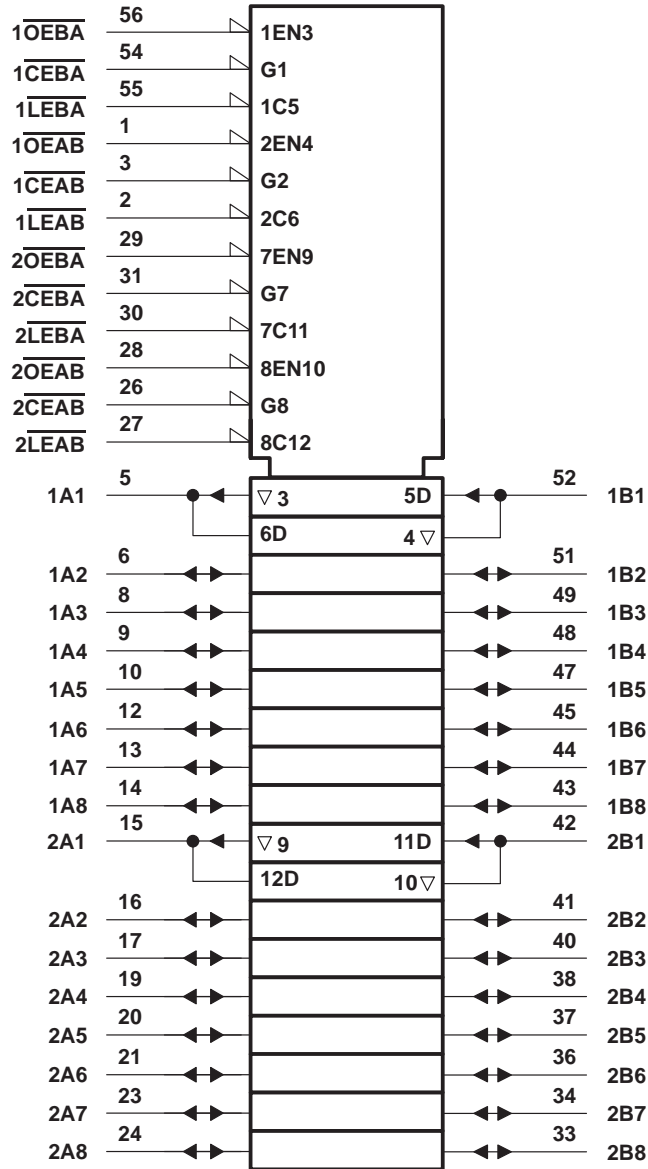
† A-to-B data flow is shown; B-to-A flow control is the same except that it uses  $\overline{CEBA}$ ,  $\overline{LEBA}$ , and  $\overline{OEBA}$ .

‡ Output level before the indicated steady-state input conditions were established

**SN74LVC16543**  
**16-BIT REGISTERED TRANSCEIVER**  
**WITH 3-STATE OUTPUTS**

SCAS317A – NOVEMBER 1993 – REVISED OCTOBER 1995

logic symbol†



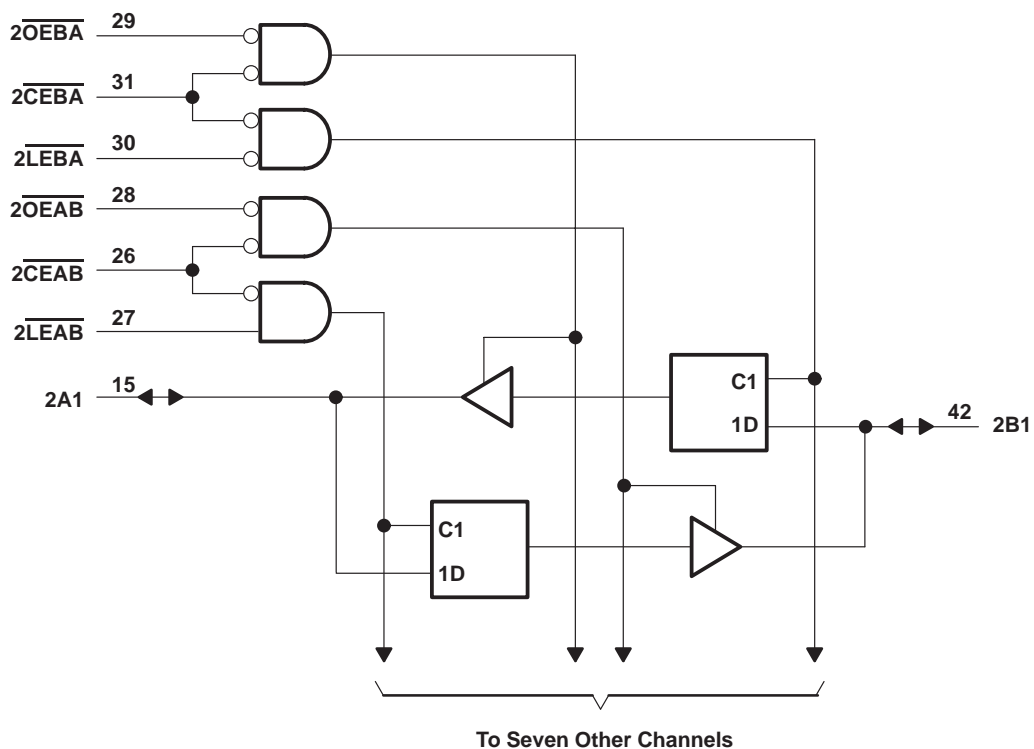
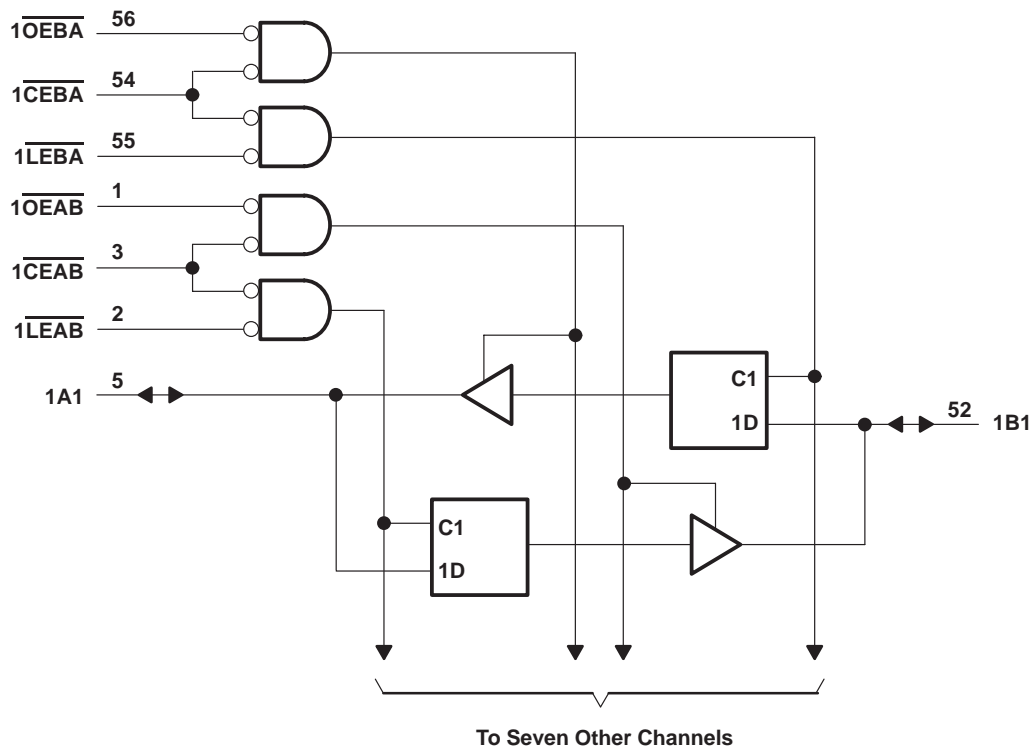
† This symbol is in accordance with ANSI/IEEE Std 91-1984 and IEC Publication 617-12.

# SN74LVC16543

## 16-BIT REGISTERED TRANSCEIVER WITH 3-STATE OUTPUTS

SCAS317A – NOVEMBER 1993 – REVISED OCTOBER 1995

### logic diagram (positive logic)



**SN74LVC16543**  
**16-BIT REGISTERED TRANSCEIVER**  
**WITH 3-STATE OUTPUTS**

SCAS317A – NOVEMBER 1993 – REVISED OCTOBER 1995

**absolute maximum ratings over operating free-air temperature range (unless otherwise noted)†**

Supply voltage range, $V_{CC}$ .....	–0.5 V to 4.6 V
Input voltage range, $V_I$ : Except I/O ports (see Note 1) .....	–0.5 V to 4.6 V
I/O ports (see Notes 1 and 2) .....	–0.5 V to $V_{CC} + 0.5$ V
Output voltage range, $V_O$ (see Notes 1 and 2) .....	–0.5 V to $V_{CC} + 0.5$ V
Input clamp current, $I_{IK}$ ( $V_I < 0$ ) .....	–50 mA
Output clamp current, $I_{OK}$ ( $V_O < 0$ or $V_O > V_{CC}$ ) .....	±50 mA
Continuous output current, $I_O$ ( $V_O = 0$ to $V_{CC}$ ) .....	±50 mA
Continuous current through $V_{CC}$ or GND .....	±100 mA
Maximum power dissipation at $T_A = 55^\circ\text{C}$ (in still air) (see Note 3): DGG package .....	1 W
DL package .....	1.4 W
Storage temperature range, $T_{stg}$ .....	–65°C to 150°C

† Stresses beyond those listed under “absolute maximum ratings” may cause permanent damage to the device. These are stress ratings only, and functional operation of the device at these or any other conditions beyond those indicated under “recommended operating conditions” is not implied. Exposure to absolute-maximum-rated conditions for extended periods may affect device reliability.

- NOTES: 1. The input and output negative-voltage ratings may be exceeded if the input and output clamp-current ratings are observed.  
2. This value is limited to 4.6 V maximum.  
3. The maximum package power dissipation is calculated using a junction temperature of 150°C and a board trace length of 750 mils. For more information, refer to the *Package Thermal Considerations* application note in the 1994 *ABT Advanced BiCMOS Technology Data Book*, literature number SCBD002B.

**recommended operating conditions (see Note 4)**

		MIN	MAX	UNIT
$V_{CC}$	Supply voltage	2.7	3.6	V
$V_{IH}$	High-level input voltage	$V_{CC} = 2.7$ V to 3.6 V		V
$V_{IL}$	Low-level input voltage	$V_{CC} = 2.7$ V to 3.6 V		V
$V_I$	Input voltage	0	$V_{CC}$	V
$V_O$	Output voltage	0	$V_{CC}$	V
$I_{OH}$	High-level output current	$V_{CC} = 2.7$ V		mA
		$V_{CC} = 3$ V		
$I_{OL}$	Low-level output current	$V_{CC} = 2.7$ V		mA
		$V_{CC} = 3$ V		
$\Delta t/\Delta v$	Input transition rise or fall rate	0	10	ns/V
$T_A$	Operating free-air temperature	–40	85	°C

NOTE 4: Unused control inputs must be held high or low to prevent them from floating.



**SN74LVC16543**  
**16-BIT REGISTERED TRANSCEIVER**  
**WITH 3-STATE OUTPUTS**

SCAS317A – NOVEMBER 1993 – REVISED OCTOBER 1995

**electrical characteristics over recommended operating free-air temperature range (unless otherwise noted)**

PARAMETER		TEST CONDITIONS	V <sub>CC</sub> <sup>†</sup>	MIN	TYP <sup>‡</sup>	MAX	UNIT
V <sub>OH</sub>		I <sub>OH</sub> = -100 μA	MIN to MAX	V <sub>CC</sub> -0.2			V
		I <sub>OH</sub> = -12 mA	2.7 V	2.2			
		I <sub>OH</sub> = -24 mA	3 V	2.4			
V <sub>OL</sub>		I <sub>OL</sub> = 100 μA	MIN to MAX			0.2	V
		I <sub>OL</sub> = 12 mA	2.7 V			0.4	
		I <sub>OL</sub> = 24 mA	3 V			0.55	
I <sub>I</sub>	Control inputs	V <sub>I</sub> = V <sub>CC</sub> or GND	3.6 V			±5	μA
I <sub>I</sub> (hold)	A or B ports	V <sub>I</sub> = 0.8 V	3 V	75			μA
		V <sub>I</sub> = 2 V		-75			
I <sub>OZ</sub> <sup>§</sup>		V <sub>O</sub> = V <sub>CC</sub> or GND	3.6 V			±10	μA
I <sub>CC</sub>		V <sub>I</sub> = V <sub>CC</sub> or GND, I <sub>O</sub> = 0	3.6 V			40	μA
ΔI <sub>CC</sub>		One input at V <sub>CC</sub> - 0.6 V, Other inputs at V <sub>CC</sub> or GND	3 V to 3.6 V			500	μA
C <sub>i</sub>	Control inputs	V <sub>I</sub> = V <sub>CC</sub> or GND	3.3 V			3	pF
C <sub>io</sub>	A or B ports	V <sub>O</sub> = V <sub>CC</sub> or GND	3.3 V			7	pF

<sup>†</sup> For conditions shown as MIN or MAX, use the appropriate values under recommended operating conditions.

<sup>‡</sup> All typical values are at V<sub>CC</sub> = 3.3 V, T<sub>A</sub> = 25°C.

<sup>§</sup> For I/O ports, the parameter I<sub>OZ</sub> includes the input leakage current.

**timing requirements over recommended operating free-air temperature range (unless otherwise noted) (see Figure 1)**

		V <sub>CC</sub> = 3.3 V ± 0.3 V		V <sub>CC</sub> = 2.7 V		UNIT
		MIN	MAX	MIN	MAX	
t <sub>w</sub>	Pulse duration, $\overline{LE}$ or $\overline{CE}$ low	4		4		ns
t <sub>su</sub>	Setup time, Data before $\overline{LE}$ , $\overline{CE}$	2		2		ns
t <sub>h</sub>	Hold time, Data after $\overline{LE}$ , $\overline{CE}$	2		2		ns

**switching characteristics over recommended operating free-air temperature range, C<sub>L</sub> = 50 pF (unless otherwise noted) (see Figure 1)**

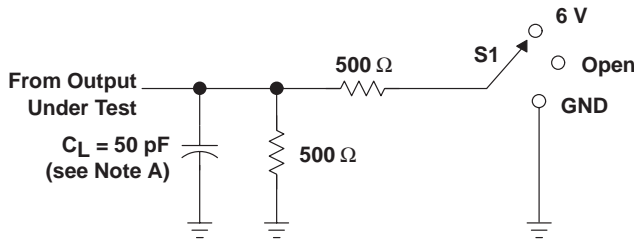
PARAMETER	FROM (INPUT)	TO (OUTPUT)	V <sub>CC</sub> = 3.3 V ± 0.3 V		V <sub>CC</sub> = 2.7 V		UNIT
			MIN	MAX	MIN	MAX	
t <sub>pd</sub>	A or B	B or A	1.5	8	1.5	9	ns
t <sub>pd</sub>	$\overline{LE}$	A or B	1.5	9	1.5	10	ns
t <sub>en</sub>	$\overline{CE}$	A or B	1.5	9	1.5	10	ns
t <sub>dis</sub>	$\overline{CE}$	A or B	1.5	9	1.5	10	ns
t <sub>en</sub>	$\overline{OE}$	A or B	1.5	8.5	1.5	9.5	ns
t <sub>dis</sub>	$\overline{OE}$	A or B	1.5	8.5	1.5	9.5	ns



operating characteristics,  $V_{CC} = 3.3\text{ V}$ ,  $T_A = 25^\circ\text{C}$

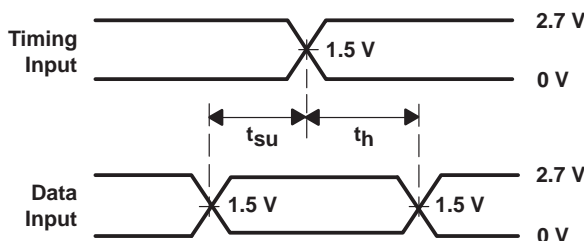
PARAMETER		TEST CONDITIONS	TYP	UNIT
$C_{pd}$	Power dissipation capacitance per transceiver	Outputs enabled	21	pF
		Outputs disabled	3.5	

**PARAMETER MEASUREMENT INFORMATION**

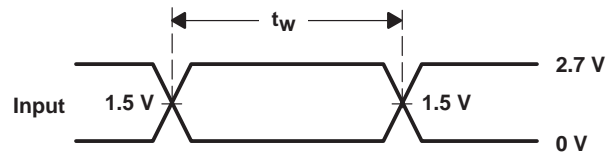


LOAD CIRCUIT

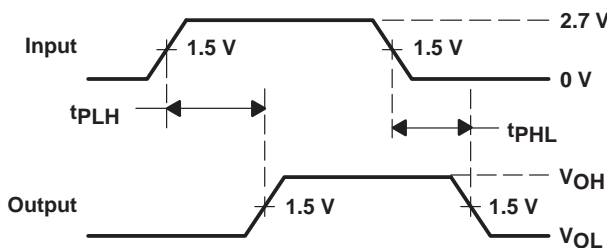
TEST	S1
$t_{pd}$	Open
$t_{PLZ}/t_{PZL}$	6 V
$t_{PHZ}/t_{PZH}$	GND



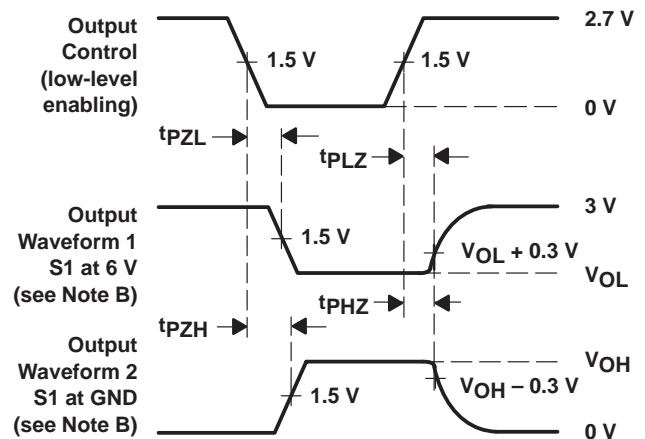
VOLTAGE WAVEFORMS  
 SETUP AND HOLD TIMES



VOLTAGE WAVEFORMS  
 PULSE DURATION



VOLTAGE WAVEFORMS  
 PROPAGATION DELAY TIMES



VOLTAGE WAVEFORMS  
 ENABLE AND DISABLE TIMES

- NOTES:
- $C_L$  includes probe and jig capacitance.
  - Waveform 1 is for an output with internal conditions such that the output is low except when disabled by the output control. Waveform 2 is for an output with internal conditions such that the output is high except when disabled by the output control.
  - All input pulses are supplied by generators having the following characteristics:  $PRR \leq 10\text{ MHz}$ ,  $Z_O = 50\ \Omega$ ,  $t_r \leq 2.5\text{ ns}$ ,  $t_f \leq 2.5\text{ ns}$ .
  - The outputs are measured one at a time with one transition per measurement.
  - $t_{PLZ}$  and  $t_{PHZ}$  are the same as  $t_{dis}$ .
  - $t_{PZL}$  and  $t_{PZH}$  are the same as  $t_{en}$ .
  - $t_{PLH}$  and  $t_{PHL}$  are the same as  $t_{pd}$ .

## **IMPORTANT NOTICE**

Texas Instruments and its subsidiaries (TI) reserve the right to make changes to their products or to discontinue any product or service without notice, and advise customers to obtain the latest version of relevant information to verify, before placing orders, that information being relied on is current and complete. All products are sold subject to the terms and conditions of sale supplied at the time of order acknowledgement, including those pertaining to warranty, patent infringement, and limitation of liability.

TI warrants performance of its semiconductor products to the specifications applicable at the time of sale in accordance with TI's standard warranty. Testing and other quality control techniques are utilized to the extent TI deems necessary to support this warranty. Specific testing of all parameters of each device is not necessarily performed, except those mandated by government requirements.

**CERTAIN APPLICATIONS USING SEMICONDUCTOR PRODUCTS MAY INVOLVE POTENTIAL RISKS OF DEATH, PERSONAL INJURY, OR SEVERE PROPERTY OR ENVIRONMENTAL DAMAGE ("CRITICAL APPLICATIONS"). TI SEMICONDUCTOR PRODUCTS ARE NOT DESIGNED, AUTHORIZED, OR WARRANTED TO BE SUITABLE FOR USE IN LIFE-SUPPORT DEVICES OR SYSTEMS OR OTHER CRITICAL APPLICATIONS. INCLUSION OF TI PRODUCTS IN SUCH APPLICATIONS IS UNDERSTOOD TO BE FULLY AT THE CUSTOMER'S RISK.**

In order to minimize risks associated with the customer's applications, adequate design and operating safeguards must be provided by the customer to minimize inherent or procedural hazards.

TI assumes no liability for applications assistance or customer product design. TI does not warrant or represent that any license, either express or implied, is granted under any patent right, copyright, mask work right, or other intellectual property right of TI covering or relating to any combination, machine, or process in which such semiconductor products or services might be or are used. TI's publication of information regarding any third party's products or services does not constitute TI's approval, warranty or endorsement thereof.

## Looking for pricing, stock, or lifecycle information?

Click below to explore more details on WIN SOURCE:

 [View SN74LVC16543DGGR on WIN SOURCE](#)

 [Texas Instruments](#) Information

## Optimize Your Supply Chain with WIN SOURCE Solutions

-  Global Sourcing Solution
-  Obsolete Management
-  Cost Control Management
-  Shortage Management
-  Alternative Solution
-  Excess Inventory Management