



# THE DATASHEET OF SN74LS590D



# SN54LS590, SN54LS591, SN74LS590, SN74LS591 8-BIT BINARY COUNTERS WITH OUTPUT REGISTERS

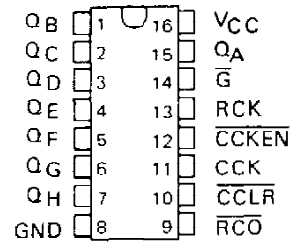
SDLS003

D2632, JANUARY 1981 — REVISED MARCH 1988

- 8-Bit Counter with Register
- Parallel Register Outputs
- Choice of 3-State ('LS590) or Open-Collector ('LS591) Register Outputs
- Guaranteed Counter Frequency: DC to 20 MHz

SN54LS590, SN54LS591 . . . J OR W PACKAGE  
SN74LS590, SN74LS591 . . . N PACKAGE

(TOP VIEW)



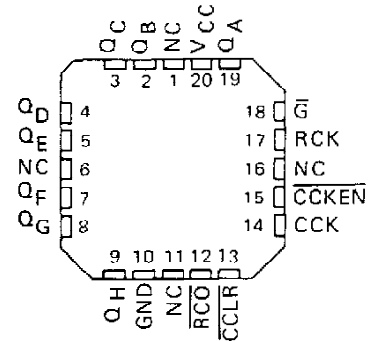
## description

These devices each contain an 8-bit binary counter that feeds an 8-bit storage register. The storage register has parallel outputs. Separate clocks are provided for both the binary counter and storage register. The binary counter features a direct clear input  $\overline{CCLR}$  and a count enable input  $\overline{CCKEN}$ . For cascading, a ripple carry output  $\overline{RCO}$  is provided. Expansion is easily accomplished for two stages by connecting  $\overline{RCO}$  of the first stage to  $\overline{CCKEN}$  of the second stage. Cascading for larger count chains can be accomplished by connecting  $\overline{RCO}$  of each stage to CCK of the following stage.

Both the counter and register clocks are positive-edge triggered. If the user wishes to connect both clocks together, the counter state will always be one count ahead of the register. Internal circuitry prevents clocking from the clock enable.

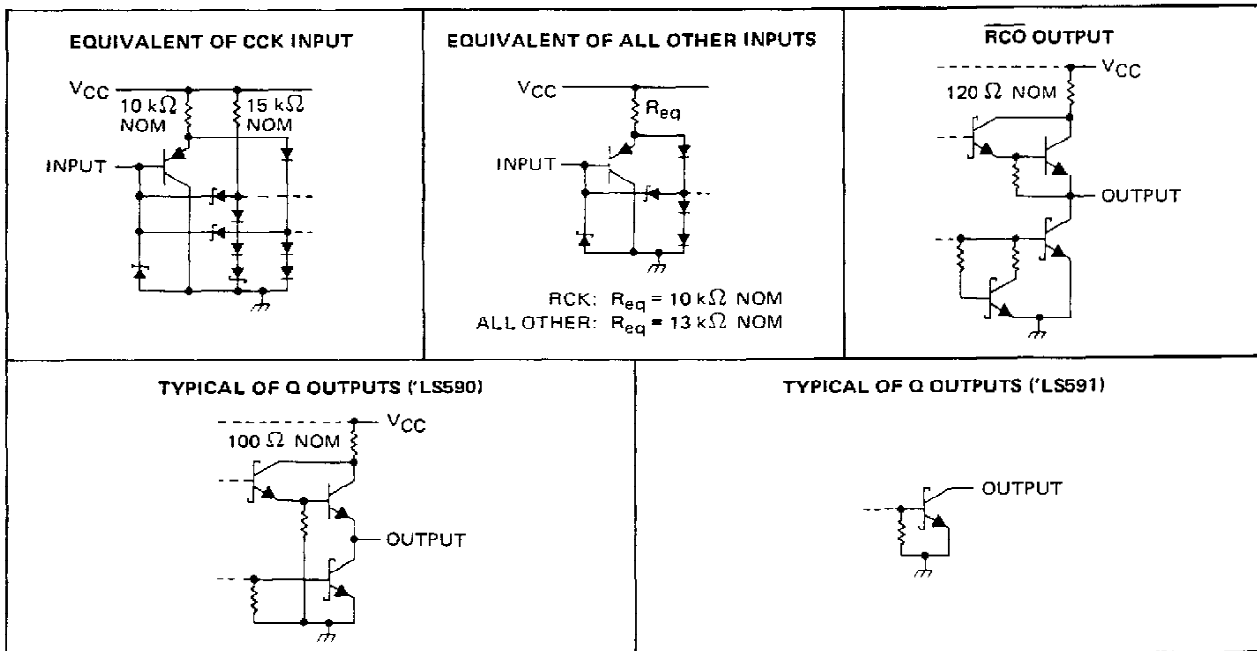
SN54LS590, SN54LS591 . . . FK PACKAGE

(TOP VIEW)



NC - No internal connection

## schematics of inputs and outputs



PRODUCTION DATA documents contain information current as of publication date. Products conform to specifications per the terms of Texas Instruments standard warranty. Production processing does not necessarily include testing of all parameters.

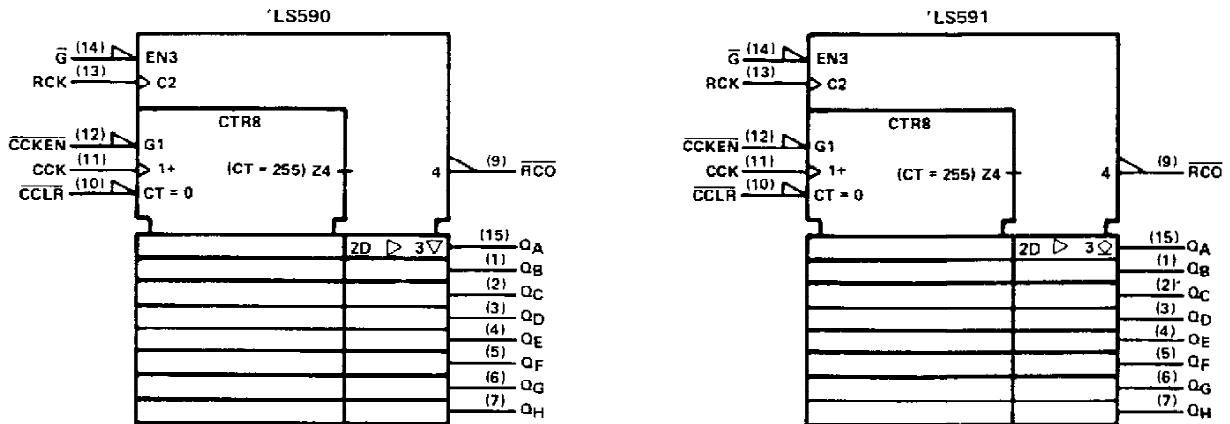
TEXAS  
INSTRUMENTS

POST OFFICE BOX 655012 • DALLAS, TEXAS 75265



# SN54LS590, SN54LS591, SN74LS590, SN74LS591 8-BIT BINARY COUNTERS WITH OUTPUT REGISTERS

logic symbols †



†These symbols are in accordance with ANSI/IEEE Std. 91-1984 and IEC Publication 617-12. Pin numbers shown are for J, N, and W packages.

## absolute maximum ratings over operating free-air temperature range (unless otherwise noted)

Supply voltage, $V_{CC}$ (see Note 1)	7 V
Input voltage	7 V
Off-state output voltage	5.5 V
Operating free-air temperature range: SN54LS590, SN54LS591	$-55^{\circ}\text{C}$ to $125^{\circ}\text{C}$
SN74LS590, SN74LS591	$0^{\circ}\text{C}$ to $70^{\circ}\text{C}$
Storage temperature range	$-65^{\circ}\text{C}$ to $150^{\circ}\text{C}$

NOTE 1: Voltage values are with respect to the network ground terminal.

## recommended operating conditions

		SN54LS*			SN74LS*			UNIT
		MIN	NOM	MAX	MIN	NOM	MAX	
$V_{CC}$	Supply voltage	4.5	5	5.5	4.75	5	5.25	V
$V_{IH}$	High-level input voltage	2			2			V
$V_{IL}$	Low-level input voltage			0.7			0.8	V
$V_{OH}$	High-level output voltage	Q, 'LS591 only		5.5	5.5			V
$I_{OH}$	High-level output current	RCO		-1	-1			mA
		Q, 'LS590 only		-1	-2.6			
$I_{OL}$	Low-level output current	RCO		8	16			mA
		Q		12	24			
$f_{CCK}$	Counter clock frequency	0	20	0	20		MHz	
$f_{RCK}$	Register clock frequency	0	25	0	25		MHz	
$t_w(CCK)$	Duration of counter clock pulse	25		25			ns	
$t_w(\overline{CCLR})$	Duration of counter clear pulse	20		20			ns	
$t_w(RCK)$	Duration of register clock pulse	20		20			ns	
$t_{su}$	Setup time	CCKEN low before CCK †		20	20		ns	
		CCLR inactive before CCK †		20	20			
		CCK before RCK † (see Note 2)		40	40			
$t_h$	Hold time	CCKEN low after CCK †		0	0		ns	
$T_A$	Operating free-air temperature	-55	125	0	70		$^{\circ}\text{C}$	

NOTE 2: This setup time ensures the register will see stable data from the counter outputs. The clocks may be tied together in which case the register state will be one clock pulse behind the counter.

TEXAS  
INSTRUMENTS

POST OFFICE BOX 655012 • DALLAS, TEXAS 75265

# SN54LS590, SN54LS591, SN74LS590, SN74LS591

## 8-BIT BINARY COUNTERS WITH OUTPUT REGISTERS

electrical characteristics over recommended operating free-air temperature range (unless otherwise noted)

PARAMETER	TEST CONDITIONS†	SN54LS*			SN74LS*			UNIT	
		MIN	TYP‡	MAX	MIN	TYP‡	MAX		
$V_{IK}$	$V_{CC} = \text{MIN.}$ , $I_I = -18 \text{ mA}$			-1.5			-1.5	V	
$V_{OH}$	'LS590 Q RCO	$V_{CC} = \text{MIN.}$ , $V_{IH} = 2 \text{ V.}$ $V_{IL} = \text{MAX}$	$I_{OH} = -1 \text{ mA}$	2.4	3.2				
			$I_{OH} = -2.6 \text{ mA}$			2.4	3.1		
			$I_{OH} = -1 \text{ mA}$	2.4	3.2	2.4	3.2		
$I_{OH}$	'LS591 Q	$V_{CC} = \text{MIN.}$ , $V_{IL} = \text{MAX}$	$V_{IH} = 2 \text{ V.}$ $V_{OH} = 5.5 \text{ V.}$			0.1		0.1	mA
$V_{OL}$	Q RCO	$V_{CC} = \text{MIN.}$ , $V_{IL} = \text{MAX}$	$V_{IH} = 2 \text{ V.}$	$I_{OL} = 12 \text{ mA}$	0.25	0.4	0.25	0.4	
				$I_{OL} = 24 \text{ mA}$			0.35	0.5	
				$I_{OL} = 8 \text{ mA}$		0.25	0.4	0.25	0.4
				$I_{OL} = 16 \text{ mA}$			0.35	0.5	
$I_{OZH}$	'LS590 Q	$V_{CC} = \text{MAX.}$ , $V_O = 2.7 \text{ V}$	$V_{IH} = 2 \text{ V.}$ $V_{IL} = \text{MAX.}$			20		20	$\mu\text{A}$
$I_{OZL}$	'LS590 Q	$V_{CC} = \text{MAX.}$ , $V_O = 0.4 \text{ V}$	$V_{IH} = 2 \text{ V.}$ $V_{IL} = \text{MAX.}$			-20		-20	$\mu\text{A}$
$I_I$		$V_{CC} = \text{MAX.}$ , $V_I = 7 \text{ V}$				0.1		0.1	mA
$I_{IH}$		$V_{CC} = \text{MAX.}$ , $V_I = 2.7 \text{ V}$				20		20	$\mu\text{A}$
$I_{IL}$	CCK	$V_{CC} = \text{MAX.}$ , $V_I = 0.4 \text{ V}$				-0.8		-0.8	
	All others					-0.2		-0.2	
$I_{OS}§$	'LS590 Q	$V_{CC} = \text{MAX.}$ , $V_O = 0 \text{ V}$				-30	-130	-30	-130
	RCO					-20	-100	-20	-100
$I_{CC}$	'LS590	$V_{CC} = \text{MAX.}$ , All possible inputs grounded, All outputs open	$I_{CCH}$	33	55	33	55		
			$I_{CCL}$	44	65	44	65		
			$I_{CCZ}$	46	65	46	65		
	'LS591		$I_{CCH}$	35	55	35	55		
			$I_{CCL}$	42	65	42	65		

† For conditions shown as MIN or MAX, use the appropriate value specified under recommended operating conditions.

‡ All typical values are at  $V_{CC} = 5 \text{ V.}$ ,  $T_A = 25^\circ\text{C}$

§ Not more than one output should be shorted at a time and the duration of the short-circuit should not exceed one second.

switching characteristics,  $V_{CC} = 5 \text{ V.}$ ,  $T_A = 25^\circ\text{C}$  (see note 3)

PARAMETER	FROM (INPUT)	TO (OUTPUT)	TEST CONDITIONS	'LS590			'LS591			UNIT
				MIN	TYP	MAX	MIN	TYP	MAX	
$f_{\text{max}}$	RCK	Q	$R_L = 667 \Omega$ , $C_L = 45 \text{ pF}$	20	35		20	35		MHz
$t_{PLH}$	CCK†	RCO	$R_L = 1 \text{ k}\Omega$ , $C_L = 30 \text{ pF}$	14	22		16	24		ns
$t_{PHL}$	CCK†	RCO		20	30		25	38		ns
$t_{PLH}$	CCLR†	RCO		30	45		32	48		ns
$t_{PLH}$	RCK†	Q	$R_L = 667 \Omega$ , $C_L = 45 \text{ pF}$	12	18		25	38		ns
$t_{PHL}$	RCK†	Q		22	33		28	42		ns
$t_{PZH}$	$\bar{G}_\downarrow$	Q		25	38					ns
$t_{PZL}$	$\bar{G}_\downarrow$	Q		30	45					ns
$t_{PHZ}$	$\bar{G}_\uparrow$	Q		20	30					ns
$t_{PLZ}$	$\bar{G}_\uparrow$	Q	$R_L = 667 \Omega$ , $C_L = 5 \text{ pF}$	25	38					ns
$t_{PLH}$	$\bar{G}_\uparrow$	Q	$R_L = 667 \Omega$ , $C_L = 45 \text{ pF}$				34	50		ns
$t_{PHL}$	$\bar{G}_\downarrow$	Q					32	48		ns

NOTE 3: Load circuits and voltage waveforms are shown in Section 1.

TEXAS  
INSTRUMENTS

POST OFFICE BOX 655012 • DALLAS, TEXAS 75285

**PACKAGING INFORMATION**

Orderable Device	Status (1)	Package Type	Package Drawing	Pins	Package Qty	Eco Plan (2)	Lead finish/ Ball material (6)	MSL Peak Temp (3)	Op Temp (°C)	Device Marking (4/5)	Samples
5962-87517012A	ACTIVE	LCCC	FK	20	55	Non-RoHS & Green	SNPB	N / A for Pkg Type	-55 to 125	5962-87517012A SNJ54LS 590FK	<a href="#">Samples</a>
5962-8751701EA	ACTIVE	CDIP	J	16	25	Non-RoHS & Green	SNPB	N / A for Pkg Type	-55 to 125	5962-8751701EA SNJ54LS590J	<a href="#">Samples</a>
5962-8751701EA	ACTIVE	CDIP	J	16	25	Non-RoHS & Green	SNPB	N / A for Pkg Type	-55 to 125	5962-8751701EA SNJ54LS590J	<a href="#">Samples</a>
SN54LS590J	ACTIVE	CDIP	J	16	25	Non-RoHS & Green	SNPB	N / A for Pkg Type	-55 to 125	SN54LS590J	<a href="#">Samples</a>
SN54LS590J	ACTIVE	CDIP	J	16	25	Non-RoHS & Green	SNPB	N / A for Pkg Type	-55 to 125	SN54LS590J	<a href="#">Samples</a>
SN74LS590D	ACTIVE	SOIC	D	16	40	RoHS & Green	NIPDAU	Level-1-260C-UNLIM	0 to 70	LS590	<a href="#">Samples</a>
SN74LS590D	ACTIVE	SOIC	D	16	40	RoHS & Green	NIPDAU	Level-1-260C-UNLIM	0 to 70	LS590	<a href="#">Samples</a>
SN74LS590N	ACTIVE	PDIP	N	16	25	RoHS & Green	NIPDAU	N / A for Pkg Type	0 to 70	SN74LS590N	<a href="#">Samples</a>
SN74LS590N	ACTIVE	PDIP	N	16	25	RoHS & Green	NIPDAU	N / A for Pkg Type	0 to 70	SN74LS590N	<a href="#">Samples</a>
SN74LS590NSR	ACTIVE	SO	NS	16	2000	RoHS & Green	NIPDAU	Level-1-260C-UNLIM	0 to 70	74LS590	<a href="#">Samples</a>
SN74LS590NSR	ACTIVE	SO	NS	16	2000	RoHS & Green	NIPDAU	Level-1-260C-UNLIM	0 to 70	74LS590	<a href="#">Samples</a>
SNJ54LS590FK	ACTIVE	LCCC	FK	20	55	Non-RoHS & Green	SNPB	N / A for Pkg Type	-55 to 125	5962-87517012A SNJ54LS 590FK	<a href="#">Samples</a>
SNJ54LS590FK	ACTIVE	LCCC	FK	20	55	Non-RoHS & Green	SNPB	N / A for Pkg Type	-55 to 125	5962-87517012A SNJ54LS 590FK	<a href="#">Samples</a>
SNJ54LS590J	ACTIVE	CDIP	J	16	25	Non-RoHS & Green	SNPB	N / A for Pkg Type	-55 to 125	5962-8751701EA SNJ54LS590J	<a href="#">Samples</a>
SNJ54LS590J	ACTIVE	CDIP	J	16	25	Non-RoHS & Green	SNPB	N / A for Pkg Type	-55 to 125	5962-8751701EA SNJ54LS590J	<a href="#">Samples</a>

(1) The marketing status values are defined as follows:

**ACTIVE:** Product device recommended for new designs.

**LIFEBUY:** TI has announced that the device will be discontinued, and a lifetime-buy period is in effect.

**NRND:** Not recommended for new designs. Device is in production to support existing customers, but TI does not recommend using this part in a new design.

**PREVIEW:** Device has been announced but is not in production. Samples may or may not be available.

**OBSOLETE:** TI has discontinued the production of the device.

(2) **RoHS:** TI defines "RoHS" to mean semiconductor products that are compliant with the current EU RoHS requirements for all 10 RoHS substances, including the requirement that RoHS substance do not exceed 0.1% by weight in homogeneous materials. Where designed to be soldered at high temperatures, "RoHS" products are suitable for use in specified lead-free processes. TI may reference these types of products as "Pb-Free".

**RoHS Exempt:** TI defines "RoHS Exempt" to mean products that contain lead but are compliant with EU RoHS pursuant to a specific EU RoHS exemption.

**Green:** TI defines "Green" to mean the content of Chlorine (Cl) and Bromine (Br) based flame retardants meet JS709B low halogen requirements of  $\leq 1000$ ppm threshold. Antimony trioxide based flame retardants must also meet the  $\leq 1000$ ppm threshold requirement.

(3) MSL, Peak Temp. - The Moisture Sensitivity Level rating according to the JEDEC industry standard classifications, and peak solder temperature.

(4) There may be additional marking, which relates to the logo, the lot trace code information, or the environmental category on the device.

(5) Multiple Device Markings will be inside parentheses. Only one Device Marking contained in parentheses and separated by a "~" will appear on a device. If a line is indented then it is a continuation of the previous line and the two combined represent the entire Device Marking for that device.

(6) Lead finish/Ball material - Orderable Devices may have multiple material finish options. Finish options are separated by a vertical ruled line. Lead finish/Ball material values may wrap to two lines if the finish value exceeds the maximum column width.

**Important Information and Disclaimer:**The information provided on this page represents TI's knowledge and belief as of the date that it is provided. TI bases its knowledge and belief on information provided by third parties, and makes no representation or warranty as to the accuracy of such information. Efforts are underway to better integrate information from third parties. TI has taken and continues to take reasonable steps to provide representative and accurate information but may not have conducted destructive testing or chemical analysis on incoming materials and chemicals. TI and TI suppliers consider certain information to be proprietary, and thus CAS numbers and other limited information may not be available for release.

In no event shall TI's liability arising out of such information exceed the total purchase price of the TI part(s) at issue in this document sold by TI to Customer on an annual basis.

**OTHER QUALIFIED VERSIONS OF SN54LS590, SN74LS590 :**

● Catalog : [SN74LS590](#)

● Military : [SN54LS590](#)

NOTE: Qualified Version Definitions:

- Catalog - TI's standard catalog product
- Military - QML certified for Military and Defense Applications

**TAPE AND REEL INFORMATION**

**QUADRANT ASSIGNMENTS FOR PIN 1 ORIENTATION IN TAPE**


\*All dimensions are nominal

Device	Package Type	Package Drawing	Pins	SPQ	Reel Diameter (mm)	Reel Width W1 (mm)	A0 (mm)	B0 (mm)	K0 (mm)	P1 (mm)	W (mm)	Pin1 Quadrant
SN74LS590NSR	SO	NS	16	2000	330.0	16.4	8.2	10.5	2.5	12.0	16.0	Q1

**TAPE AND REEL BOX DIMENSIONS**


\*All dimensions are nominal

Device	Package Type	Package Drawing	Pins	SPQ	Length (mm)	Width (mm)	Height (mm)
SN74LS590NSR	SO	NS	16	2000	356.0	356.0	35.0

**TUBE**


\*All dimensions are nominal

Device	Package Name	Package Type	Pins	SPQ	L (mm)	W (mm)	T (μm)	B (mm)
5962-87517012A	FK	LCCC	20	55	506.98	12.06	2030	NA
SN74LS590D	D	SOIC	16	40	507	8	3940	4.32
SN74LS590N	N	PDIP	16	25	506	13.97	11230	4.32
SN74LS590N	N	PDIP	16	25	506	13.97	11230	4.32
SNJ54LS590FK	FK	LCCC	20	55	506.98	12.06	2030	NA



# PACKAGE OUTLINE

## NS0016A

### SOP - 2.00 mm max height

SOP



4220735/A 12/2021

#### NOTES:

1. All linear dimensions are in millimeters. Dimensions in parenthesis are for reference only. Dimensioning and tolerancing per ASME Y14.5M.
2. This drawing is subject to change without notice.
3. This dimension does not include mold flash, protrusions, or gate burrs. Mold flash, protrusions, or gate burrs shall not exceed 0.15 mm, per side.
4. This dimension does not include interlead flash. Interlead flash shall not exceed 0.25 mm, per side.

# EXAMPLE BOARD LAYOUT

NS0016A

SOP - 2.00 mm max height

SOP



4220735/A 12/2021

NOTES: (continued)

5. Publication IPC-7351 may have alternate designs.

6. Solder mask tolerances between and around signal pads can vary based on board fabrication site.

# EXAMPLE STENCIL DESIGN

NS0016A

SOP - 2.00 mm max height

SOP



SOLDER PASTE EXAMPLE  
BASED ON 0.125 mm THICK STENCIL  
SCALE:7X

4220735/A 12/2021

NOTES: (continued)

7. Laser cutting apertures with trapezoidal walls and rounded corners may offer better paste release. IPC-7525 may have alternate design recommendations.
8. Board assembly site may have different recommendations for stencil design.

D (R-PDSO-G16)

PLASTIC SMALL OUTLINE



- NOTES:
- A. All linear dimensions are in inches (millimeters).
  - B. This drawing is subject to change without notice.
  - C. Body length does not include mold flash, protrusions, or gate burrs. Mold flash, protrusions, or gate burrs shall not exceed 0.006 (0,15) each side.
  - D. Body width does not include interlead flash. Interlead flash shall not exceed 0.017 (0,43) each side.
  - E. Reference JEDEC MS-012 variation AC.

# MECHANICAL DATA

NS (R-PDSO-G\*\*)

PLASTIC SMALL-OUTLINE PACKAGE

14-PINS SHOWN



- NOTES:
- A. All linear dimensions are in millimeters.
  - B. This drawing is subject to change without notice.
  - C. Body dimensions do not include mold flash or protrusion, not to exceed 0,15.

## GENERIC PACKAGE VIEW

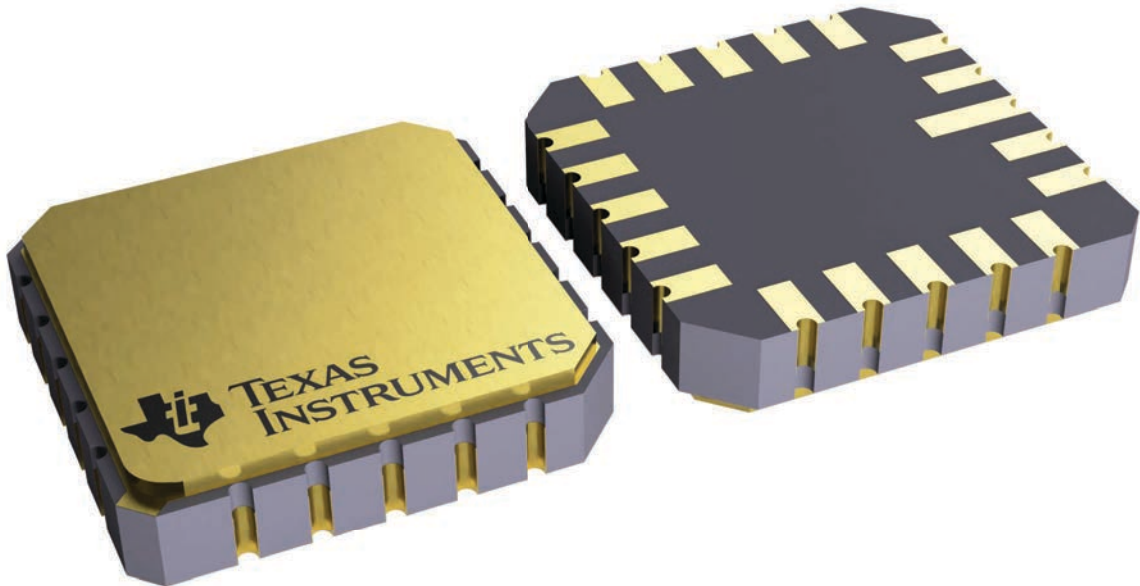
**FK 20**

**LCCC - 2.03 mm max height**

8.89 x 8.89, 1.27 mm pitch

LEADLESS CERAMIC CHIP CARRIER

This image is a representation of the package family, actual package may vary.  
Refer to the product data sheet for package details.



4229370VA\

J (R-GDIP-T\*\*)

14 LEADS SHOWN

CERAMIC DUAL IN-LINE PACKAGE



DIM \ PINS **	14	16	18	20
A	0.300 (7,62) BSC	0.300 (7,62) BSC	0.300 (7,62) BSC	0.300 (7,62) BSC
B MAX	0.785 (19,94)	.840 (21,34)	0.960 (24,38)	1.060 (26,92)
B MIN	—	—	—	—
C MAX	0.300 (7,62)	0.300 (7,62)	0.310 (7,87)	0.300 (7,62)
C MIN	0.245 (6,22)	0.245 (6,22)	0.220 (5,59)	0.245 (6,22)



4040083/F 03/03

- NOTES:
- All linear dimensions are in inches (millimeters).
  - This drawing is subject to change without notice.
  - This package is hermetically sealed with a ceramic lid using glass frit.
  - Index point is provided on cap for terminal identification only on press ceramic glass frit seal only.
  - Falls within MIL STD 1835 GDIP1-T14, GDIP1-T16, GDIP1-T18 and GDIP1-T20.

N (R-PDIP-T\*\*)

PLASTIC DUAL-IN-LINE PACKAGE

16 PINS SHOWN



4040049/E 12/2002

- NOTES:
- A. All linear dimensions are in inches (millimeters).
  - B. This drawing is subject to change without notice.
  - Falls within JEDEC MS-001, except 18 and 20 pin minimum body length (Dim A).
  - The 20 pin end lead shoulder width is a vendor option, either half or full width.

## IMPORTANT NOTICE AND DISCLAIMER

TI PROVIDES TECHNICAL AND RELIABILITY DATA (INCLUDING DATA SHEETS), DESIGN RESOURCES (INCLUDING REFERENCE DESIGNS), APPLICATION OR OTHER DESIGN ADVICE, WEB TOOLS, SAFETY INFORMATION, AND OTHER RESOURCES "AS IS" AND WITH ALL FAULTS, AND DISCLAIMS ALL WARRANTIES, EXPRESS AND IMPLIED, INCLUDING WITHOUT LIMITATION ANY IMPLIED WARRANTIES OF MERCHANTABILITY, FITNESS FOR A PARTICULAR PURPOSE OR NON-INFRINGEMENT OF THIRD PARTY INTELLECTUAL PROPERTY RIGHTS.

These resources are intended for skilled developers designing with TI products. You are solely responsible for (1) selecting the appropriate TI products for your application, (2) designing, validating and testing your application, and (3) ensuring your application meets applicable standards, and any other safety, security, regulatory or other requirements.

These resources are subject to change without notice. TI grants you permission to use these resources only for development of an application that uses the TI products described in the resource. Other reproduction and display of these resources is prohibited. No license is granted to any other TI intellectual property right or to any third party intellectual property right. TI disclaims responsibility for, and you will fully indemnify TI and its representatives against, any claims, damages, costs, losses, and liabilities arising out of your use of these resources.

TI's products are provided subject to [TI's Terms of Sale](#) or other applicable terms available either on [ti.com](https://www.ti.com) or provided in conjunction with such TI products. TI's provision of these resources does not expand or otherwise alter TI's applicable warranties or warranty disclaimers for TI products.

TI objects to and rejects any additional or different terms you may have proposed.

Mailing Address: Texas Instruments, Post Office Box 655303, Dallas, Texas 75265  
Copyright © 2023, Texas Instruments Incorporated

## Looking for pricing, stock, or lifecycle information?

Click below to explore more details on WIN SOURCE:

 [View SN74LS590D on WIN SOURCE](#)

 [Texas Instruments](#) Information

## Optimize Your Supply Chain with WIN SOURCE Solutions

-  Global Sourcing Solution
-  Obsolete Management
-  Cost Control Management
-  Shortage Management
-  Alternative Solution
-  Excess Inventory Management