



**THE DATASHEET OF
SN74LV163AD**

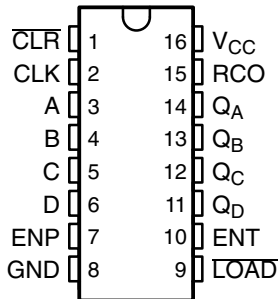


SN54LV163A, SN74LV163A 4-BIT SYNCHRONOUS BINARY COUNTERS

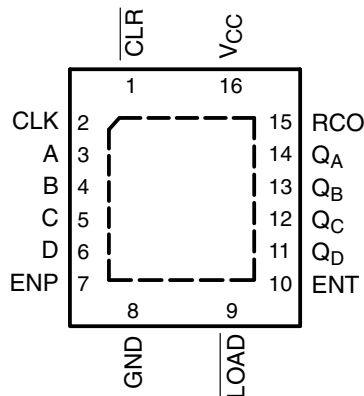
SCLS405F – APRIL 1998 – REVISED APRIL 2005

- 2-V to 5.5-V V_{CC} Operation
- Max t_{pd} of 9.5 ns at 5 V
- Typical V_{OLP} (Output Ground Bounce) <0.8 V at $V_{CC} = 3.3$ V, $T_A = 25^\circ\text{C}$
- Typical V_{OHV} (Output V_{OH} Undershoot) >2.3 V at $V_{CC} = 3.3$ V, $T_A = 25^\circ\text{C}$
- Support Mixed-Mode Voltage Operation on All Ports
- Internal Look Ahead for Fast Counting
- Carry Output for n-Bit Cascading
- Synchronous Counting
- Synchronously Programmable
- I_{off} Supports Partial-Power-Down Mode Operation
- Latch-Up Performance Exceeds 100 mA Per JESD 78, Class II
- ESD Protection Exceeds JESD 22
 - 2000-V Human-Body Model (A114-A)
 - 200-V Machine Model (A115-A)
 - 1000-V Charged-Device Model (C101)

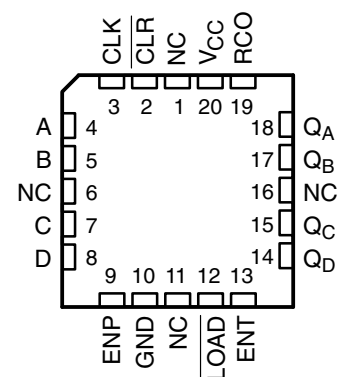
SN54LV163A . . . J OR W PACKAGE
SN74LV163A . . . D, DB, DGV, NS,
OR PW PACKAGE
(TOP VIEW)



SN74LV163A . . . RGY PACKAGE
(TOP VIEW)



SN54LV163A . . . FK PACKAGE
(TOP VIEW)



NC – No internal connection

description/ordering information

ORDERING INFORMATION

| T_A | PACKAGE† | | ORDERABLE PART NUMBER | TOP-SIDE MARKING |
|----------------|--------------|----------------|-----------------------|------------------|
| –40°C to 85°C | QFN – RGY | Reel of 1000 | SN74LV163ARGYR | LV163A |
| | SOIC – D | Tube of 40 | SN74LV163AD | LV163A |
| | | Reel of 2500 | SN74LV163ADR | |
| | SOP – NS | Reel of 2000 | SN74LV163ANSR | 74LV163A |
| | SSOP – DB | Reel of 2000 | SN74LV163ADBR | LV163A |
| | TSSOP – PW | Tube of 90 | SN74LV163APW | LV163A |
| | | Reel of 2000 | SN74LV163APWR | |
| Reel of 250 | | SN74LV163APWT | | |
| TVSOP – DGV | Reel of 2000 | SN74LV163ADGVR | LV163A | |
| –55°C to 125°C | CDIP – J | Tube of 25 | SNJ54LV163AJ | SNJ54LV163AJ |
| | CFP – W | Tube of 150 | SNJ54LV163AW | SNJ54LV163AW |
| | LCCC – FK | Tube of 55 | SNJ54LV163AFK | SNJ54LV163AFK |

† Package drawings, standard packing quantities, thermal data, symbolization, and PCB design guidelines are available at www.ti.com/sc/package.



Please be aware that an important notice concerning availability, standard warranty, and use in critical applications of Texas Instruments semiconductor products and disclaimers thereto appears at the end of this data sheet.

UNLESS OTHERWISE NOTED this document contains PRODUCTION DATA information current as of publication date. Products conform to specifications per the terms of Texas Instruments standard warranty. Production processing does not necessarily include testing of all parameters.

**TEXAS
INSTRUMENTS**

POST OFFICE BOX 655303 • DALLAS, TEXAS 75265

Copyright © 2005, Texas Instruments Incorporated

SN54LV163A, SN74LV163A 4-BIT SYNCHRONOUS BINARY COUNTERS

SCLS405F – APRIL 1998 – REVISED APRIL 2005

description/ordering information (continued)

The 'LV163A devices are 4-bit synchronous binary counters designed for 2-V to 5.5-V V_{CC} operation.

These synchronous, presettable counters feature an internal carry look ahead for application in high-speed counting designs. The 'LV163A devices are 4-bit binary counters. Synchronous operation is provided by having all flip-flops clocked simultaneously so that the outputs change coincident with each other when instructed by the count-enable (ENP, ENT) inputs and internal gating. This mode of operation eliminates the output counting spikes normally associated with synchronous (ripple-clock) counters. A buffered clock (CLK) input triggers the four flip-flops on the rising (positive-going) edge of the clock waveform.

These counters are fully programmable; that is, they can be preset to any number between 0 and 9 or 15. As presetting is synchronous, setting up a low level at the load input disables the counter and causes the outputs to agree with the setup data after the next clock pulse, regardless of the levels of the enable inputs.

The clear function for the 'LV163A devices is synchronous. A low level at the clear (\overline{CLR}) input sets all four of the flip-flop outputs low after the next low-to-high transition of CLK, regardless of the levels of the enable inputs. This synchronous clear allows the count length to be modified easily by decoding the Q outputs for the maximum count desired. The active-low output of the gate used for decoding is connected to \overline{CLR} to synchronously clear the counter to 0000 (LLLL).

The carry look-ahead circuitry provides for cascading counters for n-bit synchronous applications without additional gating. ENP, ENT, and a ripple-carry output (RCO) are instrumental in accomplishing this function. Both ENP and ENT must be high to count, and ENT is fed forward to enable RCO. Enabling RCO produces a high-level pulse while the count is maximum (9 or 15 with Q_A high). This high-level overflow ripple-carry pulse can be used to enable successive cascaded stages. Transitions at ENP or ENT are allowed, regardless of the level of CLK.

These counters feature a fully independent clock circuit. Changes at control inputs (ENP, ENT, or \overline{LOAD}) that modify the operating mode have no effect on the contents of the counter until clocking occurs. The function of the counter (whether enabled, disabled, loading, or counting) is dictated solely by the conditions meeting the stable setup and hold times.

These devices are fully specified for partial-power-down applications using I_{off} . The I_{off} circuitry disables the outputs, preventing damaging current backflow through the devices when they are powered down.

FUNCTION TABLE

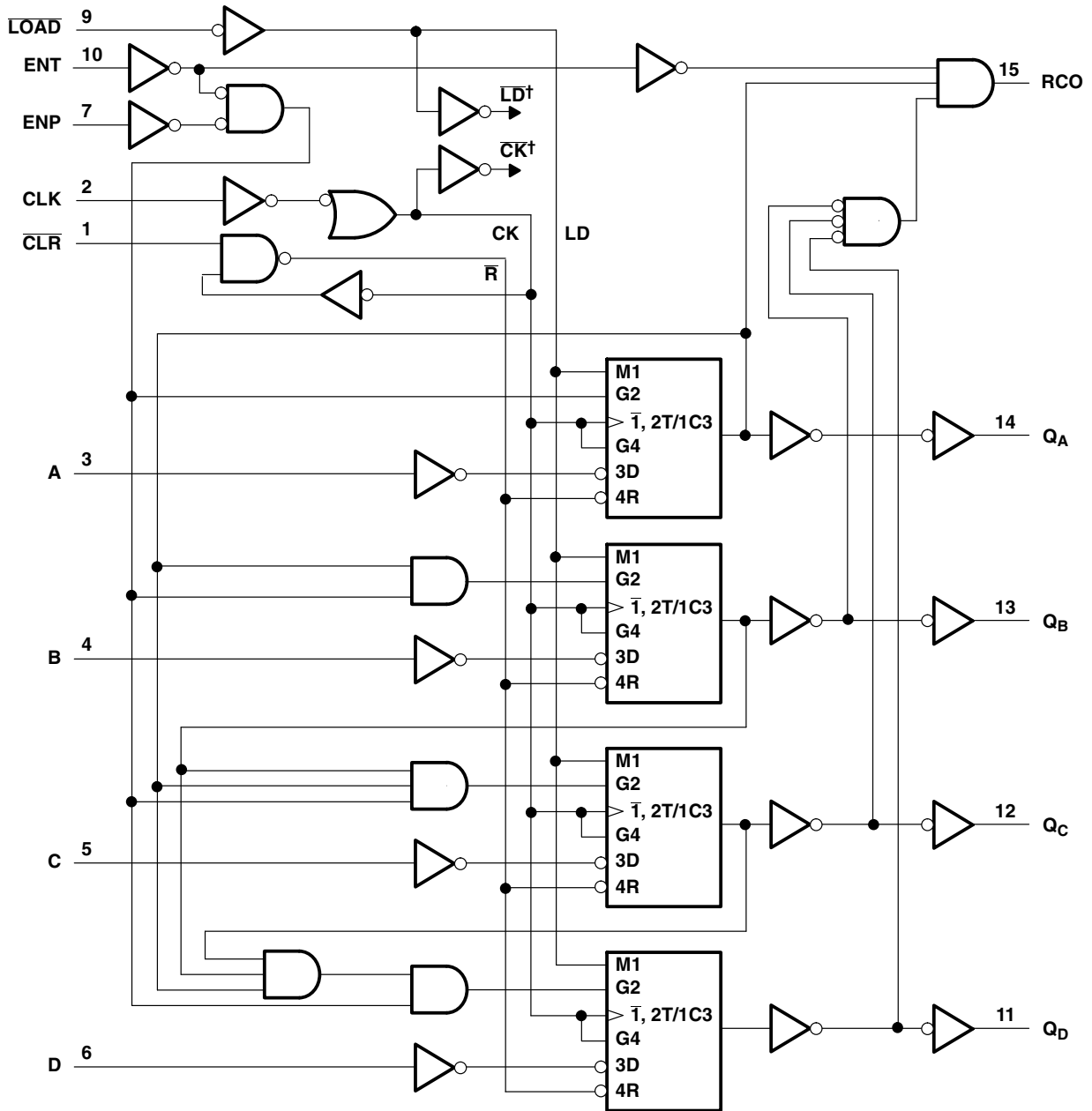
| INPUTS | | | | | OUTPUTS | | | | FUNCTION |
|------------------|-------------------|-----|-----|-----|-----------------|----|----|----|--------------|
| \overline{CLR} | \overline{LOAD} | ENP | ENT | CLK | \overline{QA} | QB | QC | QD | |
| L | X | X | X | X | L | L | L | L | Reset to "0" |
| H | L | X | X | | A | B | C | D | Preset data |
| H | H | X | L | | No change | | | | No count |
| H | H | L | X | | No change | | | | No count |
| H | H | H | H | | Count up | | | | Count |
| H | X | X | X | | No change | | | | No count |



SN54LV163A, SN74LV163A 4-BIT SYNCHRONOUS BINARY COUNTERS

SCLS405F – APRIL 1998 – REVISED APRIL 2005

logic diagram (positive logic)



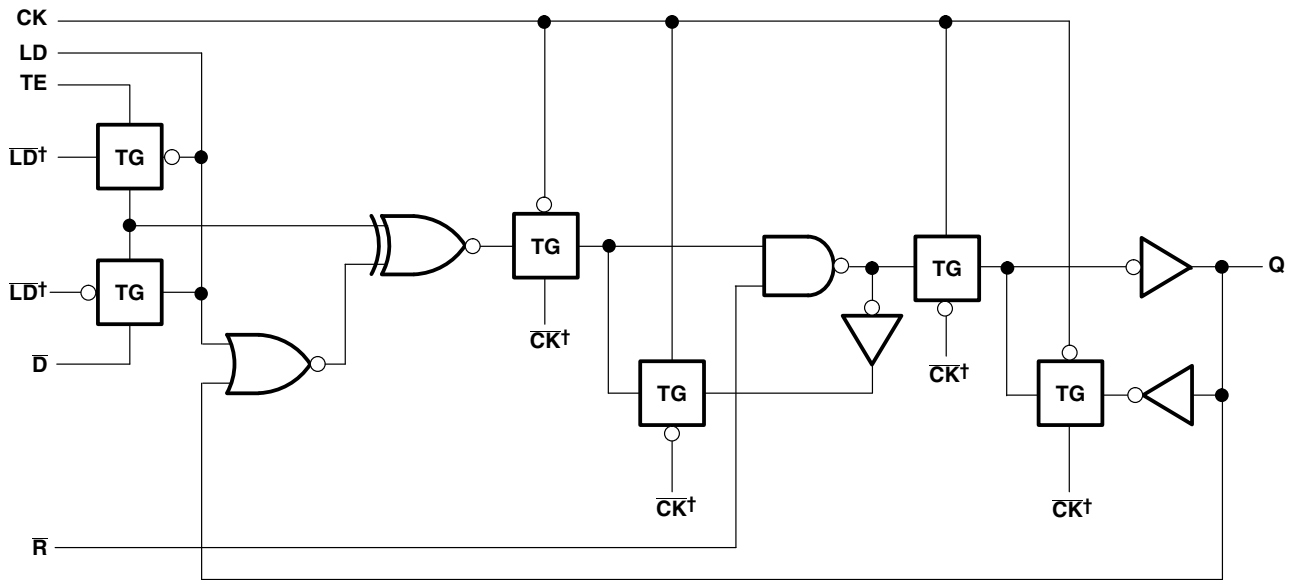
† For simplicity, routing of complementary signals \bar{LD} and \bar{CK} is not shown on this overall logic diagram. The uses of these signals are shown on the logic diagram of the D/T flip-flops.

Pin numbers shown are for the D, DB, DGV, J, NS, PW, RGY, and W packages.

SN54LV163A, SN74LV163A 4-BIT SYNCHRONOUS BINARY COUNTERS

SCLS405F – APRIL 1998 – REVISED APRIL 2005

logic diagram, each D/T flip-flop (positive logic)

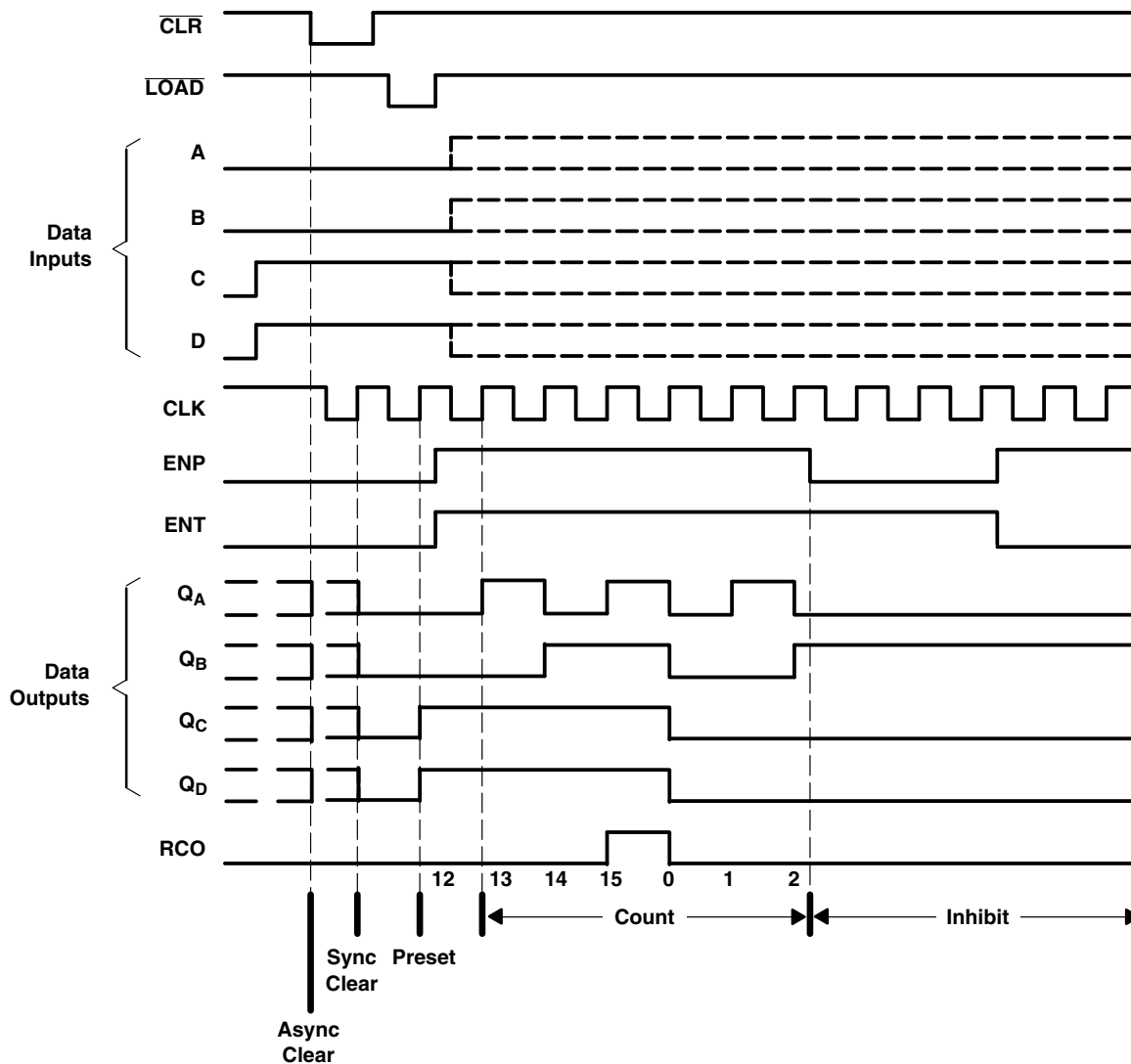


† The origins of \overline{LD} and \overline{CK} are shown in the overall logic diagram of the device.

typical clear, preset, count, and inhibit sequence

The following sequence is illustrated below:

1. Clear outputs to zero (synchronous)
2. Preset to binary 12
3. Count to 13, 14, 15, 0, 1, and 2
4. Inhibit



SN54LV163A, SN74LV163A 4-BIT SYNCHRONOUS BINARY COUNTERS

SCLS405F – APRIL 1998 – REVISED APRIL 2005

absolute maximum ratings over operating free-air temperature range (unless otherwise noted)[†]

| | |
|--|----------------------------|
| Supply voltage range, V_{CC} | -0.5 V to 7 V |
| Input voltage range, V_I (see Note 1) | -0.5 V to 7 V |
| Output voltage range applied in high or low state, V_O (see Notes 1 and 2) | -0.5 V to $V_{CC} + 0.5$ V |
| Voltage range applied to any output in the power-off state, V_O (see Note 1) | -0.5 V to 7 V |
| Input clamp current, I_{IK} ($V_I < 0$) | -20 mA |
| Output clamp current, I_{OK} ($V_O < 0$) | -50 mA |
| Continuous output current, I_O ($V_O = 0$ to V_{CC}) | ± 25 mA |
| Continuous current through V_{CC} or GND | ± 50 mA |
| Package thermal impedance, θ_{JA} (see Note 3): D package | 73°C/W |
| (see Note 3): DB package | 82°C/W |
| (see Note 3): DGV package | 120°C/W |
| (see Note 3): NS package | 64°C/W |
| (see Note 3): PW package | 108°C/W |
| (see Note 4): RGY package | 39°C/W |
| Storage temperature range, T_{stg} | -65°C to 150°C |

[†] Stresses beyond those listed under “absolute maximum ratings” may cause permanent damage to the device. These are stress ratings only, and functional operation of the device at these or any other conditions beyond those indicated under “recommended operating conditions” is not implied. Exposure to absolute-maximum-rated conditions for extended periods may affect device reliability.

- NOTES:
1. The input and output negative-voltage ratings may be exceeded if the input and output current ratings are observed.
 2. This value is limited to 5.5 V maximum.
 3. The package thermal impedance is calculated in accordance with JESD 51-7.
 4. The package thermal impedance is calculated in accordance with JESD 51-5.



SN54LV163A, SN74LV163A 4-BIT SYNCHRONOUS BINARY COUNTERS

SCLS405F – APRIL 1998 – REVISED APRIL 2005

recommended operating conditions (see Note 5)

| | | SN54LV163A | | SN74LV163A | | UNIT |
|---------------------|------------------------------------|---|---------------------|---------------------|---------------------|--------------------|
| | | MIN | MAX | MIN | MAX | |
| V_{CC} | Supply voltage | 2 | 5.5 | 2 | 5.5 | V |
| V_{IH} | High-level input voltage | $V_{CC} = 2\text{ V}$ | 1.5 | 1.5 | | V |
| | | $V_{CC} = 2.3\text{ V to }2.7\text{ V}$ | $V_{CC} \times 0.7$ | $V_{CC} \times 0.7$ | | |
| | | $V_{CC} = 3\text{ V to }3.6\text{ V}$ | $V_{CC} \times 0.7$ | $V_{CC} \times 0.7$ | | |
| | | $V_{CC} = 4.5\text{ V to }5.5\text{ V}$ | $V_{CC} \times 0.7$ | $V_{CC} \times 0.7$ | | |
| V_{IL} | Low-level input voltage | $V_{CC} = 2\text{ V}$ | | 0.5 | 0.5 | V |
| | | $V_{CC} = 2.3\text{ V to }2.7\text{ V}$ | | $V_{CC} \times 0.3$ | $V_{CC} \times 0.3$ | |
| | | $V_{CC} = 3\text{ V to }3.6\text{ V}$ | | $V_{CC} \times 0.3$ | $V_{CC} \times 0.3$ | |
| | | $V_{CC} = 4.5\text{ V to }5.5\text{ V}$ | | $V_{CC} \times 0.3$ | $V_{CC} \times 0.3$ | |
| V_I | Input voltage | 0 | 5.5 | 0 | 5.5 | V |
| V_O | Output voltage | 0 | V_{CC} | 0 | V_{CC} | V |
| I_{OH} | High-level output current | $V_{CC} = 2\text{ V}$ | | -50 | -50 | μA |
| | | $V_{CC} = 2.3\text{ V to }2.7\text{ V}$ | | -2 | -2 | mA |
| | | $V_{CC} = 3\text{ V to }3.6\text{ V}$ | | -6 | -6 | |
| | | $V_{CC} = 4.5\text{ V to }5.5\text{ V}$ | | -12 | -12 | |
| I_{OL} | Low-level output current | $V_{CC} = 2\text{ V}$ | | 50 | 50 | μA |
| | | $V_{CC} = 2.3\text{ V to }2.7\text{ V}$ | | 2 | 2 | mA |
| | | $V_{CC} = 3\text{ V to }3.6\text{ V}$ | | 6 | 6 | |
| | | $V_{CC} = 4.5\text{ V to }5.5\text{ V}$ | | 12 | 12 | |
| $\Delta t/\Delta v$ | Input transition rise or fall rate | $V_{CC} = 2.3\text{ V to }2.7\text{ V}$ | | 200 | 200 | ns/V |
| | | $V_{CC} = 3\text{ V to }3.6\text{ V}$ | | 100 | 100 | |
| | | $V_{CC} = 4.5\text{ V to }5.5\text{ V}$ | | 20 | 20 | |
| T_A | Operating free-air temperature | -55 | 125 | -40 | 85 | $^{\circ}\text{C}$ |

NOTE 5: All unused inputs of the device must be held at V_{CC} or GND to ensure proper device operation. Refer to the TI application report, *Implications of Slow or Floating CMOS Inputs*, literature number SCBA004.

electrical characteristics over recommended operating free-air temperature range (unless otherwise noted)

| PARAMETER | TEST CONDITIONS | V_{CC} | SN54LV163A | | | SN74LV163A | | | UNIT |
|-----------|--|--------------|--------------|-----|---------|--------------|-----|---------|---------------|
| | | | MIN | TYP | MAX | MIN | TYP | MAX | |
| V_{OH} | $I_{OH} = -50\ \mu\text{A}$ | 2 V to 5.5 V | $V_{CC}-0.1$ | | | $V_{CC}-0.1$ | | | V |
| | $I_{OH} = -2\ \text{mA}$ | 2.3 V | 2 | | | 2 | | | |
| | $I_{OH} = -6\ \text{mA}$ | 3 V | 2.48 | | | 2.48 | | | |
| | $I_{OH} = -12\ \text{mA}$ | 4.5 V | 3.8 | | | 3.8 | | | |
| V_{OL} | $I_{OL} = 50\ \mu\text{A}$ | 2 V to 5.5 V | | | 0.1 | | | 0.1 | V |
| | $I_{OL} = 2\ \text{mA}$ | 2.3 V | | | 0.4 | | | 0.4 | |
| | $I_{OL} = 6\ \text{mA}$ | 3 V | | | 0.44 | | | 0.44 | |
| | $I_{OL} = 12\ \text{mA}$ | 4.5 V | | | 0.55 | | | 0.55 | |
| I_I | $V_I = 5.5\text{ V or GND}$ | 0 to 5.5 V | | | ± 1 | | | ± 1 | μA |
| I_{CC} | $V_I = V_{CC}\text{ or GND, } I_O = 0$ | 5.5 V | | | 20 | | | 20 | μA |
| I_{off} | $V_I\text{ or }V_O = 0\text{ to }5.5\text{ V}$ | 0 | | | 5 | | | 5 | μA |
| C_i | $V_I = V_{CC}\text{ or GND}$ | 3.3 V | | 1.8 | | | 1.8 | | pF |

PRODUCT PREVIEW information concerns products in the formative or design phase of development. Characteristic data and other specifications are design goals. Texas Instruments reserves the right to change or discontinue these products without notice.



POST OFFICE BOX 655303 • DALLAS, TEXAS 75265

SN54LV163A, SN74LV163A 4-BIT SYNCHRONOUS BINARY COUNTERS

SCLS405F – APRIL 1998 – REVISED APRIL 2005

timing requirements over recommended operating free-air temperature range, $V_{CC} = 2.5\text{ V} \pm 0.2\text{ V}$ (unless otherwise noted) (see Figure 1)

| | | $T_A = 25^\circ\text{C}$ | | SN54LV163A | | SN74LV163A | | UNIT |
|----------|--|------------------------------|-----|------------|-----|------------|-----|------|
| | | MIN | MAX | MIN | MAX | MIN | MAX | |
| t_w | Pulse duration, CLK high or low | 7 | | 7 | | 7 | | ns |
| t_{su} | Setup time before CLK \uparrow | $\overline{\text{CLR}}$ | 6 | 6 | | 6 | | ns |
| | | Data (A, B, C, and D) | 7.5 | 8.5 | | 8.5 | | |
| | | ENP, ENT | 9.5 | 11 | | 11 | | |
| | | $\overline{\text{LOAD}}$ low | 10 | 11.5 | | 11.5 | | |
| t_h | Hold time, all synchronous inputs after CLK \uparrow | 1.5 | | 1.5 | | 1.5 | | ns |

timing requirements over recommended operating free-air temperature range, $V_{CC} = 3.3\text{ V} \pm 0.3\text{ V}$ (unless otherwise noted) (see Figure 1)

| | | $T_A = 25^\circ\text{C}$ | | SN54LV163A | | SN74LV163A | | UNIT |
|----------|--|------------------------------|-----|------------|-----|------------|-----|------|
| | | MIN | MAX | MIN | MAX | MIN | MAX | |
| t_w | Pulse duration, CLK high or low | 5 | | 5 | | 5 | | ns |
| t_{su} | Setup time before CLK \uparrow | $\overline{\text{CLR}}$ | 4 | 4 | | 4 | | ns |
| | | Data (A, B, C, and D) | 5.5 | 6.5 | | 6.5 | | |
| | | ENP, ENT | 7.5 | 9 | | 9 | | |
| | | $\overline{\text{LOAD}}$ low | 8 | 9.5 | | 9.5 | | |
| t_h | Hold time, all synchronous inputs after CLK \uparrow | 1 | | 1 | | 1 | | ns |

timing requirements over recommended operating free-air temperature range, $V_{CC} = 5\text{ V} \pm 0.5\text{ V}$ (unless otherwise noted) (see Figure 1)

| | | $T_A = 25^\circ\text{C}$ | | SN54LV163A | | SN74LV163A | | UNIT |
|----------|--|------------------------------|-----|------------|-----|------------|-----|------|
| | | MIN | MAX | MIN | MAX | MIN | MAX | |
| t_w | Pulse duration, CLK high or low | 5 | | 5 | | 5 | | ns |
| t_{su} | Setup time before CLK \uparrow | $\overline{\text{CLR}}$ | 3.5 | 3.5 | | 3.5 | | ns |
| | | Data (A, B, C, and D) | 4.5 | 4.5 | | 4.5 | | |
| | | ENP, ENT | 5 | 6 | | 6 | | |
| | | $\overline{\text{LOAD}}$ low | 5 | 6 | | 6 | | |
| t_h | Hold time, all synchronous inputs after CLK \uparrow | 1 | | 1 | | 1 | | ns |

PRODUCT PREVIEW information concerns products in the formative or design phase of development. Characteristic data and other specifications are design goals. Texas Instruments reserves the right to change or discontinue these products without notice.



POST OFFICE BOX 655303 • DALLAS, TEXAS 75265

SN54LV163A, SN74LV163A 4-BIT SYNCHRONOUS BINARY COUNTERS

SCLS405F – APRIL 1998 – REVISED APRIL 2005

switching characteristics over recommended operating free-air temperature range, $V_{CC} = 2.5\text{ V} \pm 0.2\text{ V}$ (unless otherwise noted) (see Figure 1)

| PARAMETER | FROM (INPUT) | TO (OUTPUT) | LOAD CAPACITANCE | $T_A = 25^\circ\text{C}$ | | | SN54LV163A | | SN74LV163A | | UNIT |
|------------|--------------|-------------------|----------------------|--------------------------|-------|-----|------------|-------|------------|------|------|
| | | | | MIN | TYP | MAX | MIN | MAX | MIN | MAX | |
| f_{\max} | | | $C_L = 15\text{ pF}$ | 50* | 115* | | 40* | | 40 | | MHz |
| | | | $C_L = 50\text{ pF}$ | 30 | 90 | | 25 | | 25 | | |
| t_{pd} | CLK | Q | $C_L = 15\text{ pF}$ | 8.5* | 16.2* | | 1* | 19.5* | 1 | 19.5 | ns |
| | | RCO (count mode) | | 9.1* | 17* | | 1* | 20.5* | 1 | 20.5 | |
| | | RCO (preset mode) | | 12.1* | 20.6* | | 1* | 24.5* | 1 | 24.5 | |
| | ENT | RCO | | 8.7* | 15.7* | | 1* | 19* | 1 | 19 | |
| t_{pd} | CLK | Q | $C_L = 50\text{ pF}$ | 11 | 19.2 | | 1 | 22.5 | 1 | 22.5 | ns |
| | | RCO (count mode) | | 11.9 | 20 | | 1 | 23.5 | 1 | 23.5 | |
| | | RCO (preset mode) | | 14.6 | 23.6 | | 1 | 27.5 | 1 | 27.5 | |
| | ENT | RCO | | 11.7 | 18.7 | | 1 | 22 | 1 | 22 | |

* On products compliant to MIL-PRF-38535, this parameter is not production tested.

switching characteristics over recommended operating free-air temperature range, $V_{CC} = 3.3\text{ V} \pm 0.3\text{ V}$ (unless otherwise noted) (see Figure 1)

| PARAMETER | FROM (INPUT) | TO (OUTPUT) | LOAD CAPACITANCE | $T_A = 25^\circ\text{C}$ | | | SN54LV163A | | SN74LV163A | | UNIT |
|------------|--------------|-------------------|----------------------|--------------------------|-------|-----|------------|-------|------------|------|------|
| | | | | MIN | TYP | MAX | MIN | MAX | MIN | MAX | |
| f_{\max} | | | $C_L = 15\text{ pF}$ | 80* | 160* | | 70* | | 70 | | MHz |
| | | | $C_L = 50\text{ pF}$ | 55 | 125 | | 50 | | 50 | | |
| t_{pd} | CLK | Q | $C_L = 15\text{ pF}$ | 6.2* | 12.8* | | 1* | 15* | 1 | 15 | ns |
| | | RCO (count mode) | | 6.8* | 13.6* | | 1* | 16* | 1 | 16 | |
| | | RCO (preset mode) | | 8.8* | 17.2* | | 1* | 20* | 1 | 20 | |
| | ENT | RCO | | 6.5* | 12.3* | | 1* | 14.5* | 1 | 14.5 | |
| t_{pd} | CLK | Q | $C_L = 50\text{ pF}$ | 8 | 16.3 | | 1 | 18.5 | 1 | 18.5 | ns |
| | | RCO (count mode) | | 8.8 | 17.1 | | 1 | 19.5 | 1 | 19.5 | |
| | | RCO (preset mode) | | 10.7 | 20.7 | | 1 | 23.5 | 1 | 23.5 | |
| | ENT | RCO | | 8.2 | 15.8 | | 1 | 18 | 1 | 18 | |

* On products compliant to MIL-PRF-38535, this parameter is not production tested.

PRODUCT PREVIEW information concerns products in the formative or design phase of development. Characteristic data and other specifications are design goals. Texas Instruments reserves the right to change or discontinue these products without notice.



POST OFFICE BOX 655303 • DALLAS, TEXAS 75265

SN54LV163A, SN74LV163A 4-BIT SYNCHRONOUS BINARY COUNTERS

SCLS405F – APRIL 1998 – REVISED APRIL 2005

switching characteristics over recommended operating free-air temperature range, $V_{CC} = 5\text{ V} \pm 0.5\text{ V}$ (unless otherwise noted) (see Figure 1)

| PARAMETER | FROM (INPUT) | TO (OUTPUT) | LOAD CAPACITANCE | $T_A = 25^\circ\text{C}$ | | | SN54LV163A | | SN74LV163A | | UNIT |
|------------|--------------|-------------------|----------------------|--------------------------|-------|-----|------------|------|------------|------|------|
| | | | | MIN | TYP | MAX | MIN | MAX | MIN | MAX | |
| f_{\max} | | | $C_L = 15\text{ pF}$ | 135* | 210* | | 115* | | 115 | | MHz |
| | | | $C_L = 50\text{ pF}$ | 95 | 160 | | 85 | | 85 | | |
| t_{pd} | CLK | Q | $C_L = 15\text{ pF}$ | 4.7* | 8.1* | | 1* | 9.5* | 1 | 9.5 | ns |
| | | RCO (count mode) | | 5.2* | 8.1* | | 1* | 9.5* | 1 | 9.5 | |
| | | RCO (preset mode) | | 6.4* | 10.3* | | 1* | 12* | 1 | 12 | |
| | ENT | RCO | | 4.9* | 8.1* | | 1* | 9.5* | 1 | 9.5 | |
| t_{pd} | CLK | Q | $C_L = 50\text{ pF}$ | 6.1 | 10.1 | | 1 | 11.5 | 1 | 11.5 | ns |
| | | RCO (count mode) | | 6.6 | 10.1 | | 1 | 11.5 | 1 | 11.5 | |
| | | RCO (preset mode) | | 7.8 | 12.3 | | 1 | 14 | 1 | 14 | |
| | ENT | RCO | | 6.3 | 10.1 | | 1 | 11.5 | 1 | 11.5 | |

* On products compliant to MIL-PRF-38535, this parameter is not production tested.

noise characteristics, $V_{CC} = 3.3\text{ V}$, $C_L = 50\text{ pF}$, $T_A = 25^\circ\text{C}$ (see Note 6)

| PARAMETER | | SN74LV163A | | | UNIT |
|-------------|--|------------|------|------|------|
| | | MIN | TYP | MAX | |
| $V_{OL(P)}$ | Quiet output, maximum dynamic V_{OL} | | 0.3 | 0.8 | V |
| $V_{OL(V)}$ | Quiet output, minimum dynamic V_{OL} | | -0.2 | -0.8 | V |
| $V_{OH(V)}$ | Quiet output, minimum dynamic V_{OH} | | 3 | | V |
| $V_{IH(D)}$ | High-level dynamic input voltage | 2.31 | | | V |
| $V_{IL(D)}$ | Low-level dynamic input voltage | | 0.99 | | V |

NOTE 6: Characteristics are for surface-mount packages only.

operating characteristics, $T_A = 25^\circ\text{C}$

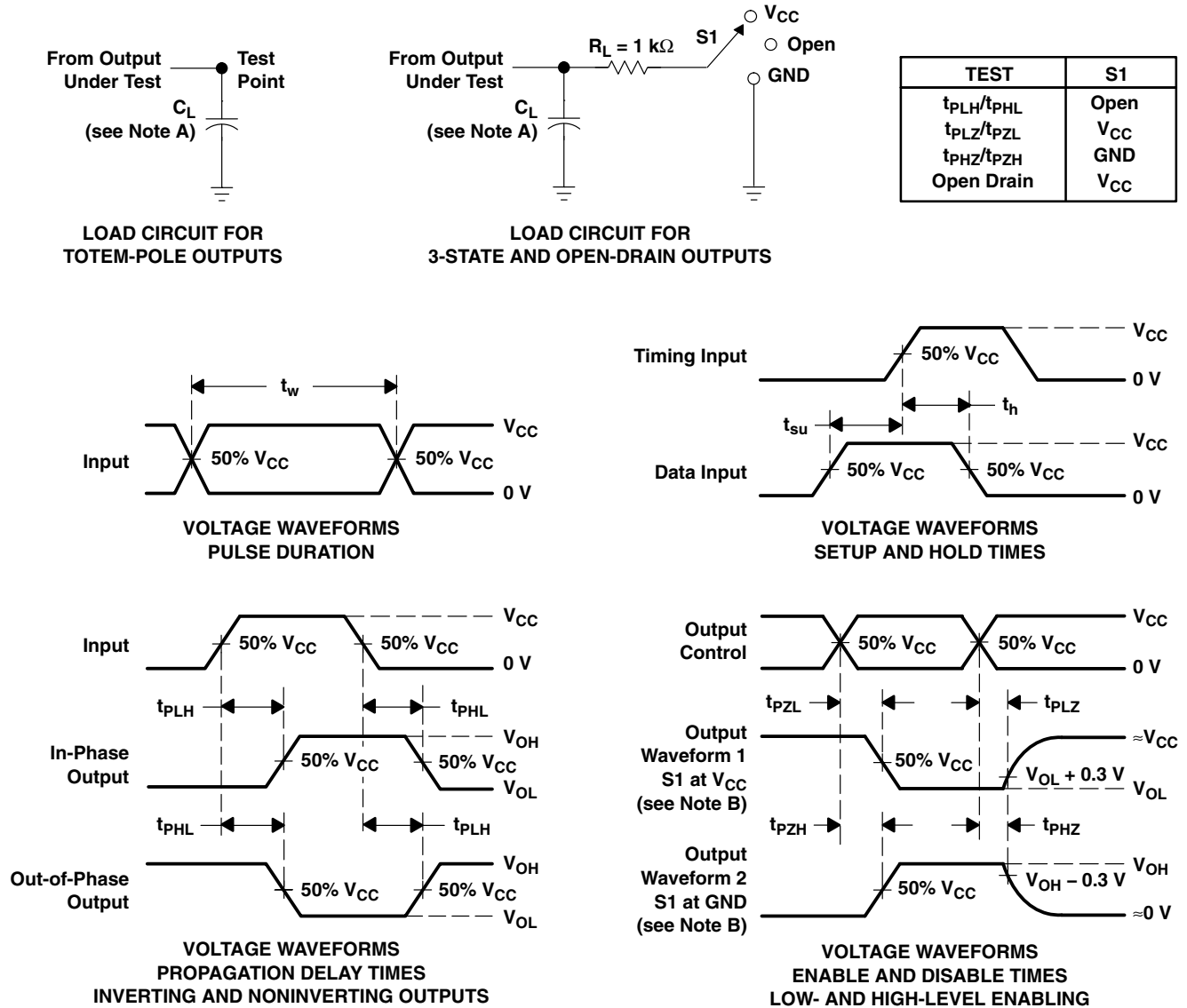
| PARAMETER | | TEST CONDITIONS | V_{CC} | TYP | UNIT |
|-----------|-------------------------------|--|----------|------|------|
| C_{pd} | Power dissipation capacitance | $C_L = 50\text{ pF}$, $f = 10\text{ MHz}$ | 3.3 V | 23.8 | pF |
| | | | 5 V | 26 | |

PRODUCT PREVIEW information concerns products in the formative or design phase of development. Characteristic data and other specifications are design goals. Texas Instruments reserves the right to change or discontinue these products without notice.



POST OFFICE BOX 655303 • DALLAS, TEXAS 75265

PARAMETER MEASUREMENT INFORMATION



- NOTES:
- A. C_L includes probe and jig capacitance.
 - B. Waveform 1 is for an output with internal conditions such that the output is low, except when disabled by the output control. Waveform 2 is for an output with internal conditions such that the output is high, except when disabled by the output control.
 - C. All input pulses are supplied by generators having the following characteristics: PRR ≤ 1 MHz, Z_O = 50 Ω, t_r ≤ 3 ns, t_f ≤ 3 ns.
 - D. The outputs are measured one at a time, with one input transition per measurement.
 - E. t_{PLZ} and t_{PHZ} are the same as t_{dis}.
 - F. t_{PZL} and t_{PZH} are the same as t_{en}.
 - G. t_{PHL} and t_{PLH} are the same as t_{pd}.
 - H. All parameters and waveforms are not applicable to all devices.

Figure 1. Load Circuit and Voltage Waveforms

PACKAGING INFORMATION

| Orderable Device | Status (1) | Package Type | Package Drawing | Pins | Package Qty | Eco Plan (2) | Lead finish/ Ball material (6) | MSL Peak Temp (3) | Op Temp (°C) | Device Marking (4/5) | Samples |
|------------------|---------------|--------------|-----------------|------|-------------|-----------------|--------------------------------------|----------------------|--------------|-------------------------|-------------------------|
| SN74LV163ADBR | ACTIVE | SSOP | DB | 16 | 2000 | RoHS & Green | NIPDAU | Level-1-260C-UNLIM | -40 to 85 | LV163A | Samples |
| SN74LV163ADGVR | ACTIVE | TVSOP | DGV | 16 | 2000 | RoHS & Green | NIPDAU | Level-1-260C-UNLIM | -40 to 85 | LV163A | Samples |
| SN74LV163ADR | ACTIVE | SOIC | D | 16 | 2500 | RoHS & Green | NIPDAU | Level-1-260C-UNLIM | -40 to 85 | LV163A | Samples |
| SN74LV163ANSR | ACTIVE | SO | NS | 16 | 2000 | RoHS & Green | NIPDAU | Level-1-260C-UNLIM | -40 to 85 | 74LV163A | Samples |
| SN74LV163APWR | ACTIVE | TSSOP | PW | 16 | 2000 | RoHS & Green | NIPDAU SN | Level-1-260C-UNLIM | -40 to 85 | LV163A | Samples |
| SN74LV163ARGYR | ACTIVE | VQFN | RGY | 16 | 3000 | RoHS & Green | NIPDAU | Level-1-260C-UNLIM | -40 to 85 | LV163A | Samples |

(1) The marketing status values are defined as follows:

ACTIVE: Product device recommended for new designs.

LIFEBUY: TI has announced that the device will be discontinued, and a lifetime-buy period is in effect.

NRND: Not recommended for new designs. Device is in production to support existing customers, but TI does not recommend using this part in a new design.

PREVIEW: Device has been announced but is not in production. Samples may or may not be available.

OBSELETE: TI has discontinued the production of the device.

(2) **RoHS:** TI defines "RoHS" to mean semiconductor products that are compliant with the current EU RoHS requirements for all 10 RoHS substances, including the requirement that RoHS substance do not exceed 0.1% by weight in homogeneous materials. Where designed to be soldered at high temperatures, "RoHS" products are suitable for use in specified lead-free processes. TI may reference these types of products as "Pb-Free".

RoHS Exempt: TI defines "RoHS Exempt" to mean products that contain lead but are compliant with EU RoHS pursuant to a specific EU RoHS exemption.

Green: TI defines "Green" to mean the content of Chlorine (Cl) and Bromine (Br) based flame retardants meet JS709B low halogen requirements of <=1000ppm threshold. Antimony trioxide based flame retardants must also meet the <=1000ppm threshold requirement.

(3) MSL, Peak Temp. - The Moisture Sensitivity Level rating according to the JEDEC industry standard classifications, and peak solder temperature.

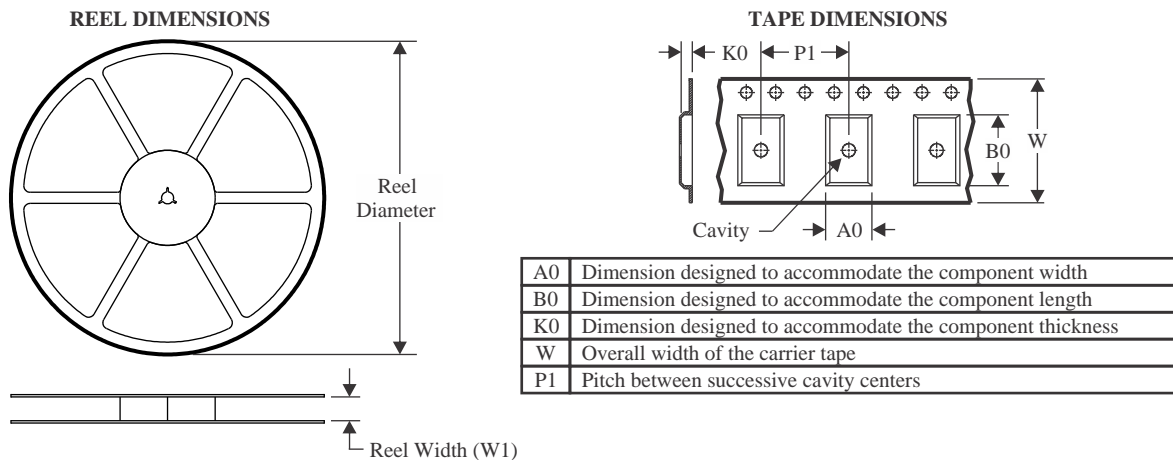
(4) There may be additional marking, which relates to the logo, the lot trace code information, or the environmental category on the device.

(5) Multiple Device Markings will be inside parentheses. Only one Device Marking contained in parentheses and separated by a "-" will appear on a device. If a line is indented then it is a continuation of the previous line and the two combined represent the entire Device Marking for that device.

(6) Lead finish/Ball material - Orderable Devices may have multiple material finish options. Finish options are separated by a vertical ruled line. Lead finish/Ball material values may wrap to two lines if the finish value exceeds the maximum column width.

Important Information and Disclaimer: The information provided on this page represents TI's knowledge and belief as of the date that it is provided. TI bases its knowledge and belief on information provided by third parties, and makes no representation or warranty as to the accuracy of such information. Efforts are underway to better integrate information from third parties. TI has taken and continues to take reasonable steps to provide representative and accurate information but may not have conducted destructive testing or chemical analysis on incoming materials and chemicals. TI and TI suppliers consider certain information to be proprietary, and thus CAS numbers and other limited information may not be available for release.

In no event shall TI's liability arising out of such information exceed the total purchase price of the TI part(s) at issue in this document sold by TI to Customer on an annual basis.

TAPE AND REEL INFORMATION

QUADRANT ASSIGNMENTS FOR PIN 1 ORIENTATION IN TAPE


*All dimensions are nominal

| Device | Package Type | Package Drawing | Pins | SPQ | Reel Diameter (mm) | Reel Width W1 (mm) | A0 (mm) | B0 (mm) | K0 (mm) | P1 (mm) | W (mm) | Pin1 Quadrant |
|----------------|--------------|-----------------|------|------|--------------------|--------------------|---------|---------|---------|---------|--------|---------------|
| SN74LV163ADBR | SSOP | DB | 16 | 2000 | 330.0 | 16.4 | 8.35 | 6.6 | 2.4 | 12.0 | 16.0 | Q1 |
| SN74LV163ADGVR | TVSOP | DGV | 16 | 2000 | 330.0 | 12.4 | 6.8 | 4.0 | 1.6 | 8.0 | 12.0 | Q1 |
| SN74LV163ADR | SOIC | D | 16 | 2500 | 330.0 | 16.4 | 6.5 | 10.3 | 2.1 | 8.0 | 16.0 | Q1 |
| SN74LV163ANSR | SO | NS | 16 | 2000 | 330.0 | 16.4 | 8.2 | 10.5 | 2.5 | 12.0 | 16.0 | Q1 |
| SN74LV163APWR | TSSOP | PW | 16 | 2000 | 330.0 | 12.4 | 6.9 | 5.6 | 1.6 | 8.0 | 12.0 | Q1 |
| SN74LV163APWR | TSSOP | PW | 16 | 2000 | 330.0 | 12.4 | 6.9 | 5.6 | 1.6 | 8.0 | 12.0 | Q1 |
| SN74LV163APWR | TSSOP | PW | 16 | 2000 | 330.0 | 12.4 | 6.85 | 5.45 | 1.6 | 8.0 | 12.0 | Q1 |
| SN74LV163ARGYR | VQFN | RGY | 16 | 3000 | 330.0 | 12.4 | 3.8 | 4.3 | 1.5 | 8.0 | 12.0 | Q1 |

TAPE AND REEL BOX DIMENSIONS


*All dimensions are nominal

| Device | Package Type | Package Drawing | Pins | SPQ | Length (mm) | Width (mm) | Height (mm) |
|----------------|--------------|-----------------|------|------|-------------|------------|-------------|
| SN74LV163ADBR | SSOP | DB | 16 | 2000 | 356.0 | 356.0 | 35.0 |
| SN74LV163ADGVR | TVSOP | DGV | 16 | 2000 | 356.0 | 356.0 | 35.0 |
| SN74LV163ADR | SOIC | D | 16 | 2500 | 340.5 | 336.1 | 32.0 |
| SN74LV163ANSR | SO | NS | 16 | 2000 | 356.0 | 356.0 | 35.0 |
| SN74LV163APWR | TSSOP | PW | 16 | 2000 | 356.0 | 356.0 | 35.0 |
| SN74LV163APWR | TSSOP | PW | 16 | 2000 | 356.0 | 356.0 | 35.0 |
| SN74LV163APWR | TSSOP | PW | 16 | 2000 | 366.0 | 364.0 | 50.0 |
| SN74LV163ARGYR | VQFN | RGY | 16 | 3000 | 360.0 | 360.0 | 36.0 |



PACKAGE OUTLINE

NS0016A

SOP - 2.00 mm max height

SOP



4220735/A 12/2021

NOTES:

1. All linear dimensions are in millimeters. Dimensions in parenthesis are for reference only. Dimensioning and tolerancing per ASME Y14.5M.
2. This drawing is subject to change without notice.
3. This dimension does not include mold flash, protrusions, or gate burrs. Mold flash, protrusions, or gate burrs shall not exceed 0.15 mm, per side.
4. This dimension does not include interlead flash. Interlead flash shall not exceed 0.25 mm, per side.

EXAMPLE BOARD LAYOUT

NS0016A

SOP - 2.00 mm max height

SOP



SOLDER MASK DETAILS

4220735/A 12/2021

NOTES: (continued)

5. Publication IPC-7351 may have alternate designs.

6. Solder mask tolerances between and around signal pads can vary based on board fabrication site.

EXAMPLE STENCIL DESIGN

NS0016A

SOP - 2.00 mm max height

SOP



SOLDER PASTE EXAMPLE
BASED ON 0.125 mm THICK STENCIL
SCALE:7X

4220735/A 12/2021

NOTES: (continued)

7. Laser cutting apertures with trapezoidal walls and rounded corners may offer better paste release. IPC-7525 may have alternate design recommendations.
8. Board assembly site may have different recommendations for stencil design.

D (R-PDSO-G16)

PLASTIC SMALL OUTLINE



- NOTES:
- A. All linear dimensions are in inches (millimeters).
 - B. This drawing is subject to change without notice.
 - C. Body length does not include mold flash, protrusions, or gate burrs. Mold flash, protrusions, or gate burrs shall not exceed 0.006 (0,15) each side.
 - D. Body width does not include interlead flash. Interlead flash shall not exceed 0.017 (0,43) each side.
 - E. Reference JEDEC MS-012 variation AC.

D (R-PDSO-G16)

PLASTIC SMALL OUTLINE



- NOTES:
- All linear dimensions are in millimeters.
 - This drawing is subject to change without notice.
 - Publication IPC-7351 is recommended for alternate designs.
 - Laser cutting apertures with trapezoidal walls and also rounding corners will offer better paste release. Customers should contact their board assembly site for stencil design recommendations. Refer to IPC-7525 for other stencil recommendations.
 - Customers should contact their board fabrication site for solder mask tolerances between and around signal pads.



4220204/A 02/2017

NOTES:

1. All linear dimensions are in millimeters. Any dimensions in parenthesis are for reference only. Dimensioning and tolerancing per ASME Y14.5M.
2. This drawing is subject to change without notice.
3. This dimension does not include mold flash, protrusions, or gate burrs. Mold flash, protrusions, or gate burrs shall not exceed 0.15 mm per side.
4. This dimension does not include interlead flash. Interlead flash shall not exceed 0.25 mm per side.
5. Reference JEDEC registration MO-153.

EXAMPLE BOARD LAYOUT

PW0016A

TSSOP - 1.2 mm max height

SMALL OUTLINE PACKAGE



LAND PATTERN EXAMPLE
EXPOSED METAL SHOWN
SCALE: 10X



4220204/A 02/2017

NOTES: (continued)

- 6. Publication IPC-7351 may have alternate designs.
- 7. Solder mask tolerances between and around signal pads can vary based on board fabrication site.

EXAMPLE STENCIL DESIGN

PW0016A

TSSOP - 1.2 mm max height

SMALL OUTLINE PACKAGE



SOLDER PASTE EXAMPLE
BASED ON 0.125 mm THICK STENCIL
SCALE: 10X

4220204/A 02/2017

NOTES: (continued)

8. Laser cutting apertures with trapezoidal walls and rounded corners may offer better paste release. IPC-7525 may have alternate design recommendations.
9. Board assembly site may have different recommendations for stencil design.

DB0016A



PACKAGE OUTLINE

SSOP - 2 mm max height

SMALL OUTLINE PACKAGE



NOTES:

1. All linear dimensions are in millimeters. Any dimensions in parenthesis are for reference only. Dimensioning and tolerancing per ASME Y14.5M.
2. This drawing is subject to change without notice.
3. This dimension does not include mold flash, protrusions, or gate burrs. Mold flash, protrusions, or gate burrs shall not exceed 0.15 mm per side.
4. Reference JEDEC registration MO-150.

EXAMPLE BOARD LAYOUT

DB0016A

SSOP - 2 mm max height

SMALL OUTLINE PACKAGE



LAND PATTERN EXAMPLE
EXPOSED METAL SHOWN
SCALE: 10X



4220763/A 05/2022

NOTES: (continued)

- 5. Publication IPC-7351 may have alternate designs.
- 6. Solder mask tolerances between and around signal pads can vary based on board fabrication site.

EXAMPLE STENCIL DESIGN

DB0016A

SSOP - 2 mm max height

SMALL OUTLINE PACKAGE



SOLDER PASTE EXAMPLE
BASED ON 0.125 mm THICK STENCIL
SCALE: 10X

4220763/A 05/2022

NOTES: (continued)

7. Laser cutting apertures with trapezoidal walls and rounded corners may offer better paste release. IPC-7525 may have alternate design recommendations.
8. Board assembly site may have different recommendations for stencil design.

MECHANICAL DATA

NS (R-PDSO-G**)

PLASTIC SMALL-OUTLINE PACKAGE

14-PINS SHOWN



- NOTES:
- A. All linear dimensions are in millimeters.
 - B. This drawing is subject to change without notice.
 - C. Body dimensions do not include mold flash or protrusion, not to exceed 0,15.

DGV (R-PDSO-G**)

PLASTIC SMALL-OUTLINE

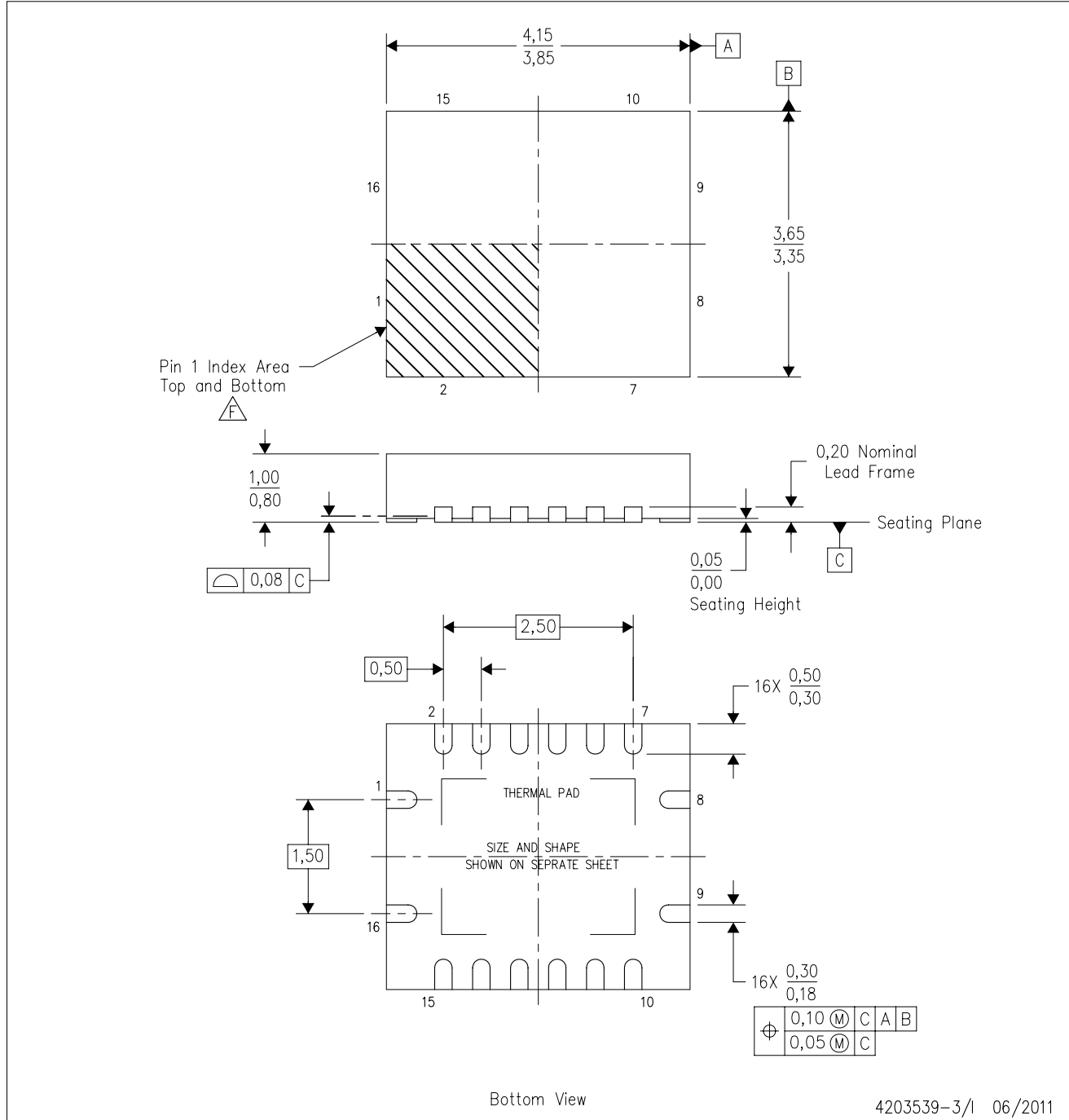
24 PINS SHOWN



- NOTES: A. All linear dimensions are in millimeters.
 B. This drawing is subject to change without notice.
 C. Body dimensions do not include mold flash or protrusion, not to exceed 0,15 per side.
 D. Falls within JEDEC: 24/48 Pins – MO-153
 14/16/20/56 Pins – MO-194

RGY (R-PVQFN-N16)

PLASTIC QUAD FLATPACK NO-LEAD



4203539-3/1 06/2011

- NOTES:
- All linear dimensions are in millimeters. Dimensioning and tolerancing per ASME Y14.5M-1994.
 - This drawing is subject to change without notice.
 - QFN (Quad Flatpack No-Lead) package configuration.
 - The package thermal pad must be soldered to the board for thermal and mechanical performance.
 - See the additional figure in the Product Data Sheet for details regarding the exposed thermal pad features and dimensions.
 - Pin 1 identifiers are located on both top and bottom of the package and within the zone indicated. The Pin 1 identifiers are either a molded, marked, or metal feature.
 - Package complies to JEDEC MO-241 variation BA.

IMPORTANT NOTICE AND DISCLAIMER

TI PROVIDES TECHNICAL AND RELIABILITY DATA (INCLUDING DATA SHEETS), DESIGN RESOURCES (INCLUDING REFERENCE DESIGNS), APPLICATION OR OTHER DESIGN ADVICE, WEB TOOLS, SAFETY INFORMATION, AND OTHER RESOURCES "AS IS" AND WITH ALL FAULTS, AND DISCLAIMS ALL WARRANTIES, EXPRESS AND IMPLIED, INCLUDING WITHOUT LIMITATION ANY IMPLIED WARRANTIES OF MERCHANTABILITY, FITNESS FOR A PARTICULAR PURPOSE OR NON-INFRINGEMENT OF THIRD PARTY INTELLECTUAL PROPERTY RIGHTS.

These resources are intended for skilled developers designing with TI products. You are solely responsible for (1) selecting the appropriate TI products for your application, (2) designing, validating and testing your application, and (3) ensuring your application meets applicable standards, and any other safety, security, regulatory or other requirements.

These resources are subject to change without notice. TI grants you permission to use these resources only for development of an application that uses the TI products described in the resource. Other reproduction and display of these resources is prohibited. No license is granted to any other TI intellectual property right or to any third party intellectual property right. TI disclaims responsibility for, and you will fully indemnify TI and its representatives against, any claims, damages, costs, losses, and liabilities arising out of your use of these resources.

TI's products are provided subject to [TI's Terms of Sale](#) or other applicable terms available either on [ti.com](https://www.ti.com) or provided in conjunction with such TI products. TI's provision of these resources does not expand or otherwise alter TI's applicable warranties or warranty disclaimers for TI products.

TI objects to and rejects any additional or different terms you may have proposed.

Mailing Address: Texas Instruments, Post Office Box 655303, Dallas, Texas 75265
Copyright © 2024, Texas Instruments Incorporated


Looking for pricing, stock, or lifecycle information?

Click below to explore more details on WIN SOURCE:

 [View SN74LV163AD on WIN SOURCE](#)

 [Texas Instruments](#) Information

Optimize Your Supply Chain with WIN SOURCE Solutions

-  Global Sourcing Solution
-  Obsolete Management
-  Cost Control Management
-  Shortage Management
-  Alternative Solution
-  Excess Inventory Management