



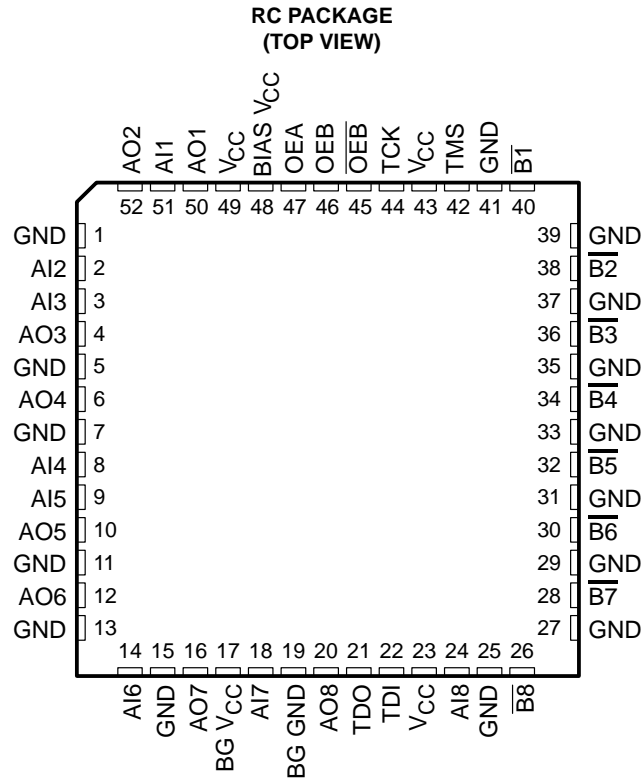
**THE DATASHEET OF
SN74FB2040RCRG3**



SN74FB2040 8-BIT TTL/BTL TRANSCEIVER

SCBS173N – NOVEMBER 1991 – REVISED MARCH 2002

- Compatible With IEEE Std 1194.1-1991 (BTL)
- TTL A Port, Backplane Transceiver Logic (BTL) \bar{B} Port
- Open-Collector \bar{B} -Port Outputs Sink 100 mA
- High-Impedance State During Power Up and Power Down
- BIAS V_{CC} Pin Minimizes Signal Distortion During Live Insertion or Withdrawal
- \bar{B} -Port Biasing Network Preconditions the Connector and PC Trace to the BTL High-Level Voltage



description

The SN74FB2040 is an 8-bit transceiver designed to translate signals between TTL and backplane transceiver logic (BTL) environments.

The \bar{B} port operates at BTL-signal levels. The open-collector \bar{B} ports are specified to sink 100 mA. Two output enables (OEB and \bar{OEB}) are provided for the \bar{B} outputs. When OEB is high and \bar{OEB} is low, the \bar{B} port is active and reflects the inverse of the data present at the A-input pins. When OEB is low, \bar{OEB} is high, or V_{CC} is less than 2.1 V, the \bar{B} port is turned off.

The A port operates at TTL-signal levels and has separate input and output pins. The A outputs reflect the inverse of the data at the \bar{B} port when the A-port output enable (OEA) is high. When OEA is low or when V_{CC} is less than 2.1 V, the A outputs are in the high-impedance state.

The pins TMS, TCK, TDI, and TDO are nonfunctional, i.e., not intended for use with the IEEE Std 1149.1 (JTAG) test bus. TMS and TCK are not connected, and TDI is shorted to TDO.

BIAS V_{CC} establishes a voltage between 1.62 V and 2.1 V on the BTL outputs when V_{CC} is not connected.



Please be aware that an important notice concerning availability, standard warranty, and use in critical applications of Texas Instruments semiconductor products and disclaimers thereto appears at the end of this data sheet.

PRODUCTION DATA information is current as of publication date. Products conform to specifications per the terms of Texas Instruments standard warranty. Production processing does not necessarily include testing of all parameters.

 **TEXAS
INSTRUMENTS**

POST OFFICE BOX 655303 • DALLAS, TEXAS 75265

Copyright © 2002, Texas Instruments Incorporated

SN74FB2040 8-BIT TTL/BTL TRANSCEIVER

SCBS173N – NOVEMBER 1991 – REVISED MARCH 2002

ORDERING INFORMATION

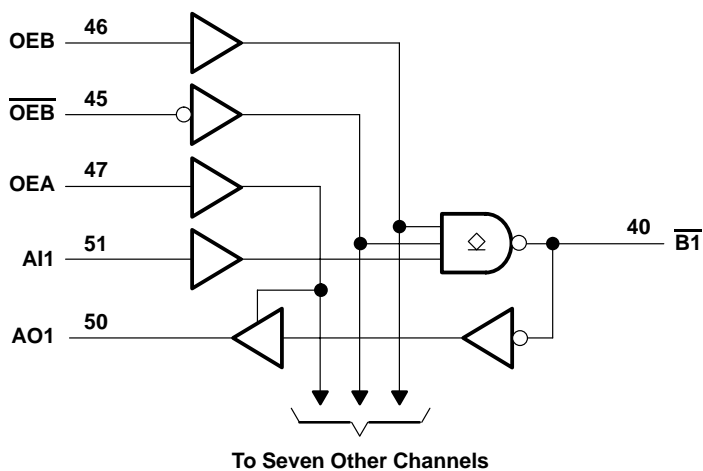
T _A	PACKAGE†		ORDERABLE PART NUMBER	TOP-SIDE MARKING
0°C to 70°C	QFP – RC	Tube	SN74FB2040RC	FB2040

† Package drawings, standard packing quantities, thermal data, symbolization, and PCB design guidelines are available at www.ti.com/sc/package.

FUNCTION TABLE

INPUTS			FUNCTION
OEB	$\overline{\text{OEB}}$	OEA	
L	X	L	Isolation
X	H	L	Isolation
L	X	H	$\overline{\text{B}}$ data to AO bus
X	H	H	$\overline{\text{B}}$ data to AO bus
H	L	L	$\overline{\text{AI}}$ data to B bus
H	L	H	$\overline{\text{AI}}$ data to B bus, $\overline{\text{B}}$ data to AO bus

functional block diagram



absolute maximum ratings over operating free-air temperature range (unless otherwise noted)†

Supply voltage range, V_{CC}	–0.5 V to 7 V
Input voltage range, V_I : Except \overline{B} port	–1.2 V to 7 V
\overline{B} port	–1.2 V to 3.5 V
Voltage range applied to any \overline{B} output in the disabled or power-off state, V_O	–0.5 V to 3.5 V
Voltage range applied to any output in the high state, V_O : A port	–0.5 V to V_{CC}
Input clamp current, I_{IK} : Except \overline{B} port	–40 mA
\overline{B} port	–18 mA
Current applied to any single output in the low state, I_O : A port	48 mA
\overline{B} port	200 mA
Package thermal impedance, θ_{JA} (see Note 1)	44°C/W
Storage temperature range, T_{stg}	–65°C to 150°C

† Stresses beyond those listed under “absolute maximum ratings” may cause permanent damage to the device. These are stress ratings only, and functional operation of the device at these or any other conditions beyond those indicated under “recommended operating conditions” is not implied. Exposure to absolute-maximum-rated conditions for extended periods may affect device reliability.

NOTE 1: The package thermal impedance is calculated in accordance with JESD 51-7.

recommended operating conditions (see Note 2)

		MIN	NOM	MAX	UNIT
V_{CC} , BIAS V_{CC} , BG V_{CC}	Supply voltage	4.5	5	5.5	V
V_{IH}	High-level input voltage	\overline{B} port	1.62	2.3	V
		Except \overline{B} port	2		
V_{IL}	Low-level input voltage	\overline{B} port	0.75	1.47	V
		Except \overline{B} port		0.8	
I_{IK}	Input clamp current			–18	mA
I_{OH}	High-level output current			–3	mA
I_{OL}	Low-level output current	AO port		24	mA
		\overline{B} port		100	
T_A	Operating free-air temperature	0		70	°C

NOTE 2: To ensure proper device operation, all unused inputs must be terminated as follows: A and control inputs to V_{CC} (5 V) or GND, and B inputs to GND only. Refer to the TI application report, *Implications of Slow or Floating CMOS Inputs*, literature number SCBA004.

SN74FB2040

8-BIT TTL/BTL TRANSCEIVER

SCBS173N – NOVEMBER 1991 – REVISED MARCH 2002

electrical characteristics over recommended operating free-air temperature range (unless otherwise noted)

PARAMETER		TEST CONDITIONS		MIN	TYP†	MAX	UNIT
V _{IK}	\overline{B} port	V _{CC} = 4.5 V,	I _I = -18 mA			-1.2	V
	Except \overline{B} port	V _{CC} = 4.5 V,	I _I = -40 mA			-0.5	
V _{OH}	AO port	V _{CC} = 4.5 V,	I _{OH} = -3 mA	2.5	3.3		V
V _{OL}	AO port	V _{CC} = 4.5 V,	I _{OL} = 24 mA		0.35	0.5	V
	\overline{B} port	V _{CC} = 4.5 V	I _{OL} = 80 mA	0.75		1.1	
			I _{OL} = 100 mA			1.15	
I _I	Except \overline{B} port	V _{CC} = 5.5 V,	V _I = 5.5 V			50	μA
I _{IH} ‡	Except \overline{B} port	V _{CC} = 5.5 V,	V _I = 2.7 V			50	μA
I _{IL} ‡	Except \overline{B} port	V _{CC} = 5.5 V,	V _I = 0.5 V			-50	μA
	\overline{B} port	V _{CC} = 5.5 V,	V _I = 0.75 V			-100	
I _{OH}	\overline{B} port	V _{CC} = 0 to 5.5 V,	V _O = 2.1 V			100	μA
I _{OZH}	AO port	V _{CC} = 5.5 V,	V _O = 2.7 V			50	μA
I _{OZL}	AO port	V _{CC} = 5.5 V,	V _O = 0.5 V			-50	μA
I _{OZPU}	A port	V _{CC} = 0 to 2.1 V,	V _O = 0.5 V to 2.7 V			50	μA
I _{OZPD}	A port	V _{CC} = 2.1 V to 0,	V _O = 0.5 V to 2.7 V			-50	μA
I _{OS} §	AO port	V _{CC} = 5.5 V,	V _O = 0	-30		-180	mA

† All typical values are at V_{CC} = 5 V, T_A = 25°C.

‡ For I/O ports, the parameters I_{IH} and I_{IL} include the off-state output current.

§ Not more than one output should be shorted at a time, and the duration of the short circuit should not exceed one second.

electrical characteristics over recommended operating free-air temperature range (unless otherwise noted) (continued)

PARAMETER		TEST CONDITIONS		MIN	TYP†	MAX	UNIT
I _{CC}	A _I port to \overline{B} port	V _{CC} = 5.5 V,	I _O = 0		40		mA
	\overline{B} port to AO port				70		
C _i	A _I port	V _I = V _{CC} or GND			3.5		pF
	Control inputs				3		
C _O	AO port	V _O = V _{CC} or GND			6		pF
C _{io}	\overline{B} port per IEEE Std 1194.1-1991	V _{CC} = 0 to 4.5 V				5	pF
		V _{CC} = 4.5 V to 5.5 V				5	

† All typical values are at V_{CC} = 5 V, T_A = 25°C.

live-insertion specifications over recommended operating free-air temperature range

PARAMETER		TEST CONDITIONS			MIN	MAX	UNIT
I _{CC} (BIAS V _{CC})		V _{CC} = 0 to 4.5 V,	V _B = 0 to 2 V,	V _I (BIAS V _{CC}) = 4.5 V to 5.5 V		450	μA
		V _{CC} = 4.5 to 5.5 V,	V _B = 0 to 2 V,	V _I (BIAS V _{CC}) = 4.5 V to 5.5 V		10	
V _O	\overline{B} port	V _{CC} = 0,	V _I (BIAS V _{CC}) = 5 V		1.62	2.1	V
I _O	\overline{B} port	V _{CC} = 0,	V _B = 1 V,	V _I (BIAS V _{CC}) = 4.5 V to 5.5 V		-1	μA
		V _{CC} = 0 to 5.5 V,	OEB = 0 to 0.8 V			100	
		V _{CC} = 0 to 2.2 V,	OEB = 0 to 5 V			100	



POST OFFICE BOX 655303 • DALLAS, TEXAS 75265

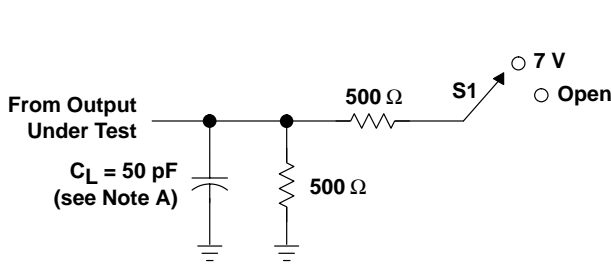
switching characteristics over recommended ranges of supply voltage and operating free-air temperature (unless otherwise noted) (see Figure 1)

PARAMETER	FROM (INPUT)	TO (OUTPUT)	V _{CC} = 5 V, T _A = 25°C			MIN	MAX	UNIT
			MIN	TYP	MAX			
t _{PLH}	AI	\overline{B}	3.2	4.5	6	2.4	6.5	ns
t _{PHL}			2.8	4.2	5.6	2.7	5.8	
t _{PLH}	\overline{B}	AO	2.3	3.8	5.7	1.9	6.2	ns
t _{PHL}			2.3	4.2	5.9	2	8.2	
t _{PLH}	OEB	\overline{B}	3.7	5.1	6.7	3	7	ns
t _{PHL}			3.1	4.6	5.9	3	6.1	
t _{PLH}	\overline{OEB}	\overline{B}	3.6	5.2	6.8	3.3	7	ns
t _{PHL}			2.9	4.4	5.9	2.6	6.1	
t _{PZH}	OEA	AO	2.5	4	5.5	2.1	5.8	ns
t _{PZL}			2.1	3.6	4.8	2	5	
t _{PHZ}	OEA	AO	2.3	4.1	5.9	1.9	6.5	ns
t _{PLZ}			1.6	3.1	4.5	1.4	4.7	
t _{sk(p)}	Skew for any single channel t _{PHL} - t _{PLH} , AI to \overline{B} or \overline{B} to AO		0.5					ns
t _{sk(o)}	Skew between drivers in the same package, AI to \overline{B} or \overline{B} to AO		0.4					ns
t _r	Rise time, 1.3 V to 1.8 V, \overline{B} port		2	2.8	3.8	1.7		ns
t _f	Fall time, 1.8 V to 1.3 V, \overline{B} port		1	1.9	3	1	4.2	ns
t _(pr)	\overline{B} -port input pulse rejection					1	3.4	ns

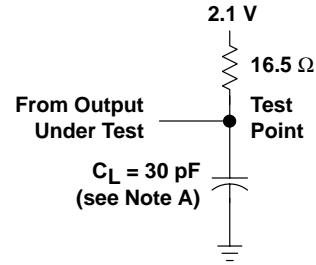
SN74FB2040 8-BIT TTL/BTL TRANSCEIVER

SCBS173N – NOVEMBER 1991 – REVISED MARCH 2002

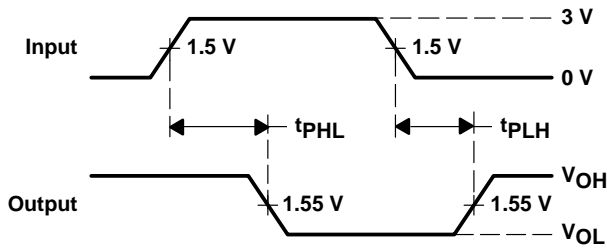
PARAMETER MEASUREMENT INFORMATION



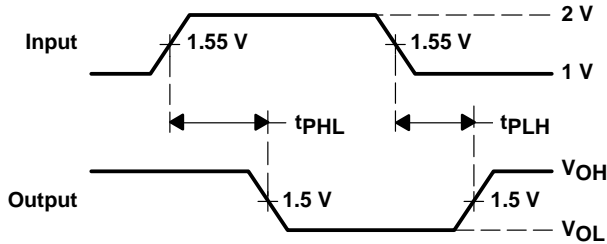
LOAD CIRCUIT FOR A OUTPUTS



LOAD CIRCUIT FOR B OUTPUTS

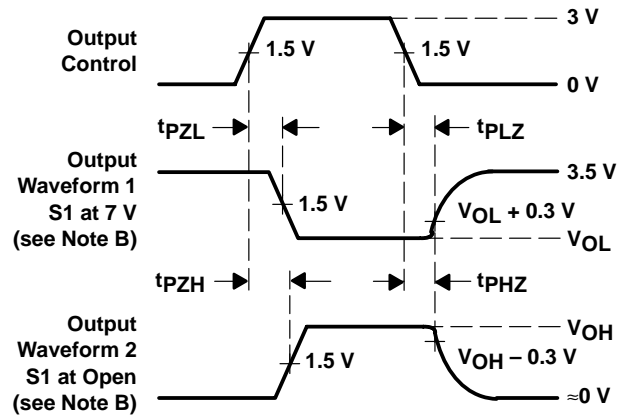


VOLTAGE WAVEFORMS
PROPAGATION DELAY TIMES (A TO B)



VOLTAGE WAVEFORMS
PROPAGATION DELAY TIMES (B TO A)

TEST	S1
t_{PLH}/t_{PHL}	Open
t_{PLZ}/t_{PZL}	7 V
t_{PHZ}/t_{PZH}	Open



VOLTAGE WAVEFORMS
ENABLE AND DISABLE TIMES (A PORT)

- NOTES: A. C_L includes probe and jig capacitance.
 B. Waveform 1 is for an output with internal conditions such that the output is low except when disabled by the output control. Waveform 2 is for an output with internal conditions such that the output is high except when disabled by the output control.
 C. All input pulses are supplied by generators having the following characteristics: TTL inputs: $PRR \leq 10$ MHz, $Z_O = 50 \Omega$, $t_r \leq 2.5$ ns, $t_f \leq 2.5$ ns; BTL inputs: $PRR \leq 10$ MHz, $Z_O = 50 \Omega$, $t_r \leq 2.5$ ns, $t_f \leq 2.5$ ns.
 D. The outputs are measured one at a time with one transition per measurement.

Figure 1. Load Circuits and Voltage Waveforms

IMPORTANT NOTICE

Texas Instruments Incorporated and its subsidiaries (TI) reserve the right to make corrections, modifications, enhancements, improvements, and other changes to its products and services at any time and to discontinue any product or service without notice. Customers should obtain the latest relevant information before placing orders and should verify that such information is current and complete. All products are sold subject to TI's terms and conditions of sale supplied at the time of order acknowledgment.

TI warrants performance of its hardware products to the specifications applicable at the time of sale in accordance with TI's standard warranty. Testing and other quality control techniques are used to the extent TI deems necessary to support this warranty. Except where mandated by government requirements, testing of all parameters of each product is not necessarily performed.

TI assumes no liability for applications assistance or customer product design. Customers are responsible for their products and applications using TI components. To minimize the risks associated with customer products and applications, customers should provide adequate design and operating safeguards.

TI does not warrant or represent that any license, either express or implied, is granted under any TI patent right, copyright, mask work right, or other TI intellectual property right relating to any combination, machine, or process in which TI products or services are used. Information published by TI regarding third-party products or services does not constitute a license from TI to use such products or services or a warranty or endorsement thereof. Use of such information may require a license from a third party under the patents or other intellectual property of the third party, or a license from TI under the patents or other intellectual property of TI.

Reproduction of information in TI data books or data sheets is permissible only if reproduction is without alteration and is accompanied by all associated warranties, conditions, limitations, and notices. Reproduction of this information with alteration is an unfair and deceptive business practice. TI is not responsible or liable for such altered documentation.

Resale of TI products or services with statements different from or beyond the parameters stated by TI for that product or service voids all express and any implied warranties for the associated TI product or service and is an unfair and deceptive business practice. TI is not responsible or liable for any such statements.

Mailing Address:

Texas Instruments
Post Office Box 655303
Dallas, Texas 75265

Looking for pricing, stock, or lifecycle information?

Click below to explore more details on WIN SOURCE:

 [View SN74FB2040RCRG3 on WIN SOURCE](#)

 [Texas Instruments](#) Information

Optimize Your Supply Chain with WIN SOURCE Solutions

-  Global Sourcing Solution
-  Obsolete Management
-  Cost Control Management
-  Shortage Management
-  Alternative Solution
-  Excess Inventory Management