



**THE DATASHEET OF
SY100ELT28KI-TR**





**5V TTL-TO-DIFFERENTIAL PECL
AND DIFFERENTIAL PECL-TO-TTL
TRANSLATOR**

**SY10ELT28
SY100ELT28
FINAL**

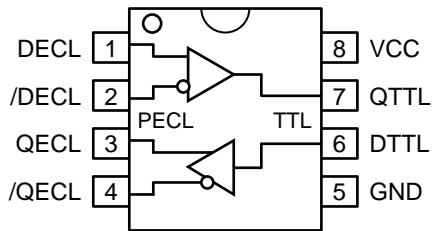
FEATURES

- **Guaranteed AC parameters over temperature:**
 - $f_{MAX} > 160\text{MHz}$ (TTL)
 - $< 5.5\text{ns}$ PECL-to-TTL propagation delay
 - $< 1.5\text{ns}$ t_r / t_f ; PECL output
 - $< 1.3\text{ns}$ TTL-to-PECL propagation delay
- **Wide temperature range: -40°C to $+85^\circ\text{C}$**
- **5V power supply**
- **Q_{TTL} output will default low with inputs left open or $< 1.3\text{V}$**
- **Q_{ECL} output will default high with inputs left open**
- **Internal PECL input pulldown resistors**
- **Available in 8-pin MSOP and SOIC packages**

DESCRIPTION

The SY10/100ELT28 is a differential PECL-to-TTL translator and a TTL-to-differential PECL translator in a single package. Because PECL (Positive ECL) levels are used, only +5V and ground are required. The small outline 8-pin package and the dual translation design of the ELT28 makes it ideal for applications which are sending and receiving signals across a backplane.

PIN CONFIGURATION/BLOCK DIAGRAM



TOP VIEW

(Available in MSOP or SOIC package)

PIN NAMES

| Pin | Function |
|-------------|---------------------------|
| D TTL | TTL Inputs |
| Q TTL | TTL Outputs |
| DECL, /DECL | PECL Differential Inputs |
| QECL, /QECL | PECL Differential Outputs |
| V_{CC} | Positive Supply |
| GND | Ground |

ABSOLUTE MAXIMUM RATINGS⁽¹⁾

| Symbol | Rating | Value | Unit |
|--------------------|---|--|----------------------------------|
| V _{CC} | Power Supply Voltage | -0.5 to +7.0 | V |
| V _{IN} | Input Voltage | 0 to +6.0 | V |
| I _{OUT} | PECL Output Current -Continuous -Surge | 50 100 | mA |
| T _A | Operating Temperature Range | -40 to +85 | °C |
| T _{store} | Storage Temperature Range | -65 to +150 | °C |
| θ _{JA} | Package Thermal Resistance (Junction-to-Ambient) | -Still-Air (SOIC) -500lfpm (SOIC) -Still-Air (MSOP) -500lfpm (MSOP) | 160 109 206 155 °C/W |
| θ _{JC} | Package Thermal Resistance (Junction-to-Case) | (SOIC) (MSOP) | 39 39 °C/W |

NOTE:

1. Permanent device damage may occur if ABSOLUTE MAXIMUM RATINGS are exceeded. This is a stress rating only and functional operation is not implied at conditions other than those detailed in the operational sections of this data sheet. Exposure to ABSOLUTE MAXIMUM RATING conditions for extended periods may affect device reliability.

DC ELECTRICAL CHARACTERISTICS⁽¹⁾

$$V_{CC} = +5V \pm 10\%; V_{EE} = 0V$$

| Symbol | Parameter | T _A = -40°C | | | T _A = +25°C | | | T _A = +85°C | | | Unit | Condition |
|-----------------|------------------------------------|------------------------|------|------|------------------------|------|------|------------------------|------|------|------|-----------|
| | | Min. | Typ. | Max. | Min. | Typ. | Max. | Min. | Typ. | Max. | | |
| V _{CC} | Power Supply Voltage | 4.75 | 5.0 | 5.5 | 4.75 | 5.0 | 5.5 | 4.75 | 5.0 | 5.5 | V | |
| I _{CC} | Power Supply Current | — | 23 | 40 | — | 22 | 40 | — | 25 | 40 | mA | |
| C _{IN} | Input Capacitance (SOIC) (MSOP) | — | — | — | — | 0.75 | — | — | — | — | pF | |
| | | — | — | — | — | 1.1 | — | — | — | — | pF | |

NOTE:

1. 10/100KELT circuits are designed to meet the DC specifications shown in the above table after thermal equilibrium has been established. The circuit is in a test socket or mounted on a printed circuit board and traverse airflow greater than 500lfpm is maintained. Input and output parameters vary 1:1 with V_{CC}. V_{CC} can vary ±0.25V.

10K PECL DC ELECTRICAL CHARACTERISTICS⁽¹⁾

$$V_{CC} = +5.0V \pm 10\%$$

| Symbol | Parameter | T _A = -40°C | | | T _A = +25°C | | | T _A = +85°C | | | Unit | Condition |
|--------------------|--|------------------------|------|-----------------|------------------------|------|-----------------|------------------------|------|-----------------|------|-------------------------|
| | | Min. | Typ. | Max. | Min. | Typ. | Max. | Min. | Typ. | Max. | | |
| V _{OH} | Output HIGH Voltage | 3920 | 4010 | 4110 | 4020 | 4105 | 4190 | 4090 | 4185 | 4280 | mV | 50Ω V _{CC} -2V |
| V _{OL} | Output LOW Voltage | 3050 | 3200 | 3350 | 3050 | 3210 | 3370 | 3050 | 3227 | 3405 | mV | 50Ω V _{CC} -2V |
| V _{IH} | Input HIGH Voltage (Single-Ended) | 3770 | — | 4110 | 3870 | — | 4190 | 3940 | — | 4280 | mV | |
| V _{IL} | Input LOW Voltage (Single-Ended) | 3050 | — | 3500 | 3050 | — | 3520 | 3050 | — | 3555 | mV | |
| V _{IHCMR} | Input HIGH Voltage Common Mode Range ⁽²⁾ | 1.2 | — | V _{CC} | 1.2 | — | V _{CC} | 1.2 | — | V _{CC} | mV | |

NOTES:

1. 10/100KELT circuits are designed to meet the DC specifications shown in the above table after thermal equilibrium has been established. The circuit is in a test socket or mounted on a printed circuit board and traverse airflow greater than 500lfpm is maintained.
2. V_{IHCMR} (Min) varies 1:1 with GND, V_{IHCMR} (Max) varies 1:1 with V_{CC}.

100K PECL DC ELECTRICAL CHARACTERISTICS⁽¹⁾

$V_{CC} = +5.0V \pm 10\%$

| Symbol | Parameter | $T_A = -40^\circ\text{C}$ | | | $T_A = +25^\circ\text{C}$ | | | $T_A = +85^\circ\text{C}$ | | | Unit | Condition |
|-------------|---|---------------------------|------|----------|---------------------------|------|----------|---------------------------|------|----------|------|------------------------|
| | | Min. | Typ. | Max. | Min. | Typ. | Max. | Min. | Typ. | Max. | | |
| V_{OH} | Output HIGH Voltage | 3915 | 3995 | 4120 | 3975 | 4045 | 4120 | 3975 | 4050 | 4120 | mV | $50\Omega V_{CC} - 2V$ |
| V_{OL} | Output LOW Voltage | 3170 | 3305 | 3445 | 3190 | 3295 | 3380 | 3190 | 3295 | 3380 | mV | $50\Omega V_{CC} - 2V$ |
| V_{IH} | Input HIGH Voltage (Single-Ended) | 3835 | — | 4120 | 3835 | — | 4120 | 3835 | — | 4120 | mV | |
| V_{IL} | Input LOW Voltage (Single-Ended) | 3190 | — | 3525 | 3190 | — | 3525 | 3190 | — | 3525 | mV | |
| V_{IHCMR} | Input HIGH Voltage Common Mode Range ⁽²⁾ | 2.2 | — | V_{CC} | 2.2 | — | V_{CC} | 2.2 | — | V_{CC} | V | |

NOTES:

- 10/100KELT circuits are designed to meet the DC specifications shown in the above table after thermal equilibrium has been established. The circuit is in a test socket or mounted on a printed circuit board and traverse airflow greater than 500lfpm is maintained.
- V_{IHCMR} (Min) varies 1:1 with GND, V_{IHCMR} (Max) varies 1:1 with V_{CC} .

TTL DC ELECTRICAL CHARACTERISTICS⁽¹⁾

$V_{CC} = +5.0V \pm 10\%$

| Symbol | Parameter | $T_A = -40^\circ\text{C}$ | | | $T_A = +25^\circ\text{C}$ | | | $T_A = +85^\circ\text{C}$ | | | Unit | Condition |
|-----------|------------------------------|---------------------------|------|------|---------------------------|------|------|---------------------------|------|------|---------------|--------------------------|
| | | Min. | Typ. | Max. | Min. | Typ. | Max. | Min. | Typ. | Max. | | |
| I_{IH} | Input HIGH Current | — | 10 | 20 | — | — | 20 | — | — | 20 | μA | $V_{IN} = 2.7V$ |
| | | — | — | 100 | — | — | 100 | — | — | 100 | μA | $V_{IN} = V_{CC}$ |
| I_{IL} | Input LOW Current | — | — | -600 | — | — | -600 | — | — | -600 | μA | $V_{IN} = 0.5V$ |
| V_{IH} | Input HIGH Voltage | 2.0 | — | — | 2.0 | — | — | 2.0 | — | — | V | |
| V_{IL} | Input LOW Voltage | — | — | 0.8 | — | — | 0.8 | — | — | 0.8 | V | |
| V_{IK} | Input Clamp Diode Voltage | — | — | -1.2 | — | — | -1.2 | — | — | -1.2 | V | $I_{IK} = -18\text{mA}$ |
| V_{OH} | Output HIGH Voltage | 2.4 | 2.9 | — | 2.4 | 3.4 | — | 2.4 | 3.9 | — | V | $I_{OH} = -3.0\text{mA}$ |
| V_{OL} | Output LOW Voltage | — | 0.29 | 0.5 | — | 0.26 | 0.5 | — | 0.27 | 0.5 | V | $I_{OL} = 24\text{mA}$ |
| I_{OSC} | Output Short-Circuit Current | -175 | — | -60 | -175 | — | -60 | -175 | — | -60 | μA | $V_O = 0V$ |

NOTES:

- 10/100KELT circuits are designed to meet the DC specifications shown in the above table after thermal equilibrium has been established. The circuit is in a test socket or mounted on a printed circuit board and traverse airflow greater than 500lfpm is maintained.

AC ELECTRICAL CHARACTERISTICS

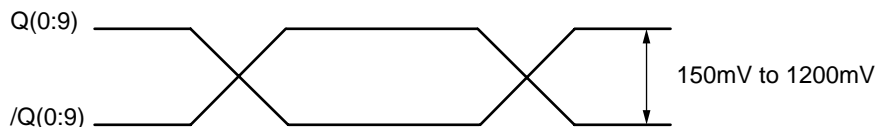
V_{CC} = +5.0V ±10%

| Symbol | Parameter | | T _A = -40°C | | | T _A = +25°C | | | T _A = +85°C | | | Unit | Condition |
|----------------------------------|--|-------------|------------------------|--------|--------|------------------------|--------|--------|------------------------|--------|--------|------------|--------------------------------------|
| | | | Min. | Typ. | Max. | Min. | Typ. | Max. | Min. | Typ. | Max. | | |
| f _{MAX} | Maximum Frequency ⁽¹⁾ PECL TTL | | 700 160 | — — | — — | 700 160 | — — | — — | 700 160 | — — | — — | MHz MHz | |
| t _{PLH} | Propagation Delay | DECL → QTTL | 1.5 | — | 5.5 | 1.5 | — | 5.5 | 1.5 | — | 5.5 | ns | C _L = 20pF |
| | | DTTL → QECL | 0.2 | — | 1.2 | 0.2 | 1.2 | 1.5 | 0.2 | — | 1.35 | ns | 50Ω to V _{CC} -2V |
| t _{PHL} | Propagation Delay | DECL → QTTL | 1.5 | — | 5.5 | 1.5 | — | 5.5 | 1.5 | — | 5.5 | ns | C _L = 20pF |
| | | DTTL → QECL | 0.2 | — | 1.2 | 0.2 | 1.2 | 1.5 | 0.2 | — | 1.35 | ns | 50Ω to V _{CC} -2V |
| V _{PP} | PECL Input Voltage Swing ⁽²⁾ (Single-Ended) ⁽³⁾ | | 200 | 800 | 1000 | 200 | 800 | 1000 | 200 | 800 | 1000 | mV | |
| t _r t _f | QECL Output Rise/Fall Times (20% to 80%) | | 0.15 | — | 1.5 | 0.15 | 0.3 | 1.5 | 0.15 | — | 1.5 | ns | 50Ω to V _{CC} -2V |
| | QTTL Output Rise/Fall Times (10% to 90%) TTL | | — | 1.0 | — | — | 0.80 | — | — | 0.7 | — | ns | C _L = 20pF; TTL Output |

NOTES:

- f_{MAX} is defined as the maximum toggle frequency.
- V_{PP} (Min) is the minimum input swing for which AC parameters are guaranteed.
- See "Timing Waveform."

TIMING WAVEFORM



PRODUCT ORDERING CODE

| Ordering Code | Package Type | Operating Range | Marking Code |
|-----------------|--------------|-----------------|--------------|
| SY10ELT28KC | K8-1 | Commercial | XL28 |
| SY10ELT28KCTR* | K8-1 | Commercial | XL28 |
| SY100ELT28KC | K8-1 | Commercial | XL28 |
| SY100ELT28KCTR* | K8-1 | Commercial | XL28 |
| SY10ELT28ZC | Z8-1 | Commercial | XEL28 |
| SY10ELT28ZCTR* | Z8-1 | Commercial | XEL28 |
| SY100ELT28ZC | Z8-1 | Commercial | XEL28 |
| SY100ELT28ZCTR* | Z8-1 | Commercial | XEL28 |

| Ordering Code | Package Type | Operating Range | Marking Code |
|--------------------------------|--------------|-----------------|--------------|
| SY10ELT28KI ⁽¹⁾ | K8-1 | Industrial | XL28 |
| SY10ELT28KITR* ⁽¹⁾ | K8-1 | Industrial | XL28 |
| SY100ELT28KI ⁽¹⁾ | K8-1 | Industrial | XL28 |
| SY100ELT28KITR* ⁽¹⁾ | K8-1 | Industrial | XL28 |
| SY10ELT28ZI ⁽¹⁾ | Z8-1 | Industrial | XEL28 |
| SY10ELT28ZITR* ⁽¹⁾ | Z8-1 | Industrial | XEL28 |
| SY100ELT28ZI ⁽¹⁾ | Z8-1 | Industrial | XEL28 |
| SY100ELT28ZITR* ⁽¹⁾ | Z8-1 | Industrial | XEL28 |

*Tape and Reel

Note 1. Recommended for new designs.

TERMINATION RECOMMENDATIONS

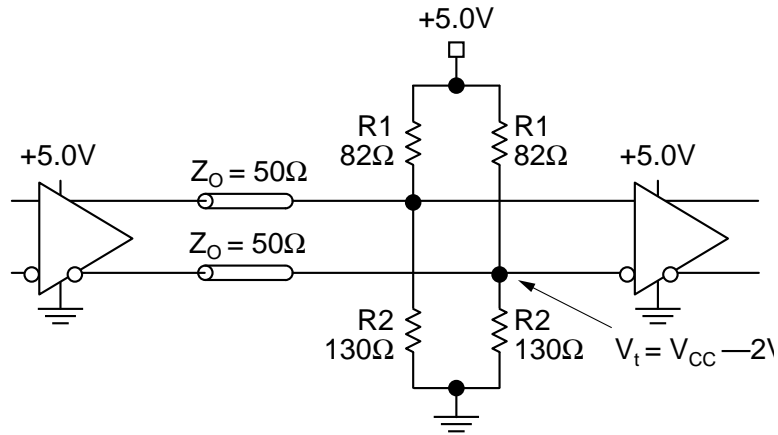


Figure 1. +5V PECL Parallel Termination-Thevenin Equivalent

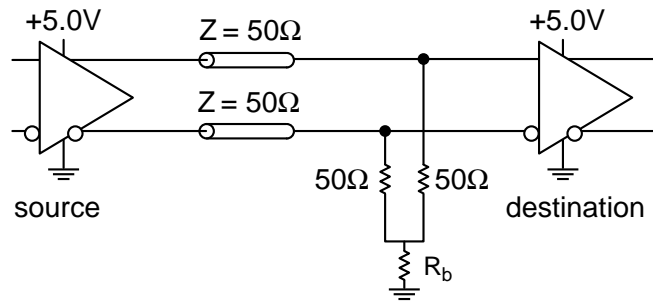
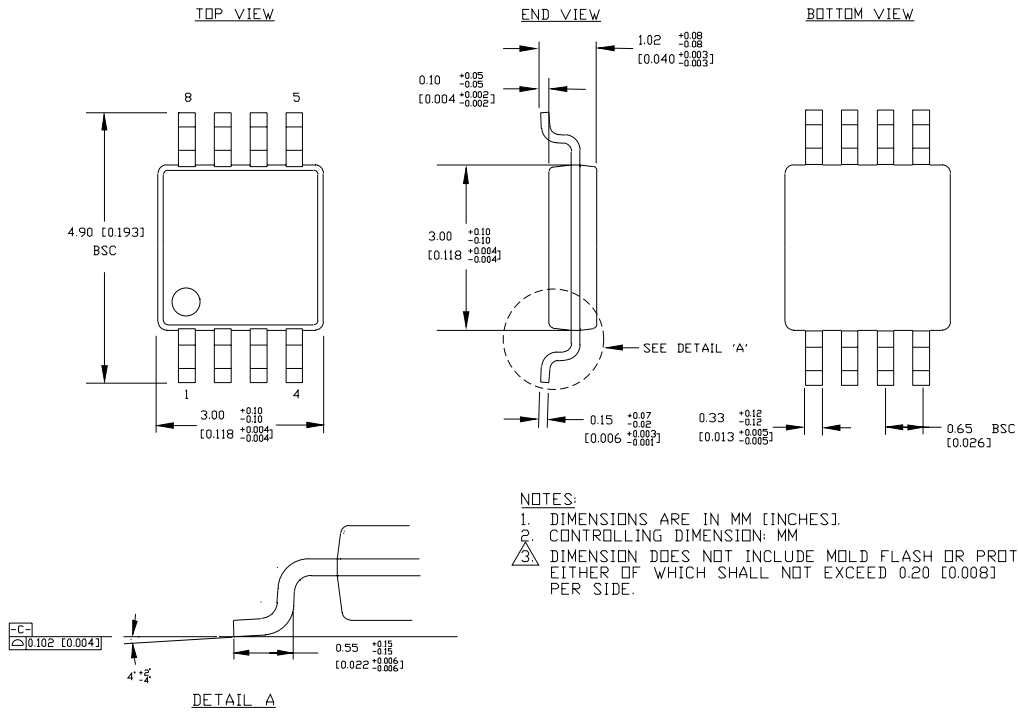


Figure 2. +5V PECL Three-Resistor "Y-Termination"

Notes:

1. Power-saving alternative to 4-resistor, Thevenin termination.
2. Place termination resistors as close to destination inputs as possible.
3. R_b resistor sets the DC bias voltage, equal to V_t . For 5.0V supply, R_b value is 110Ω.

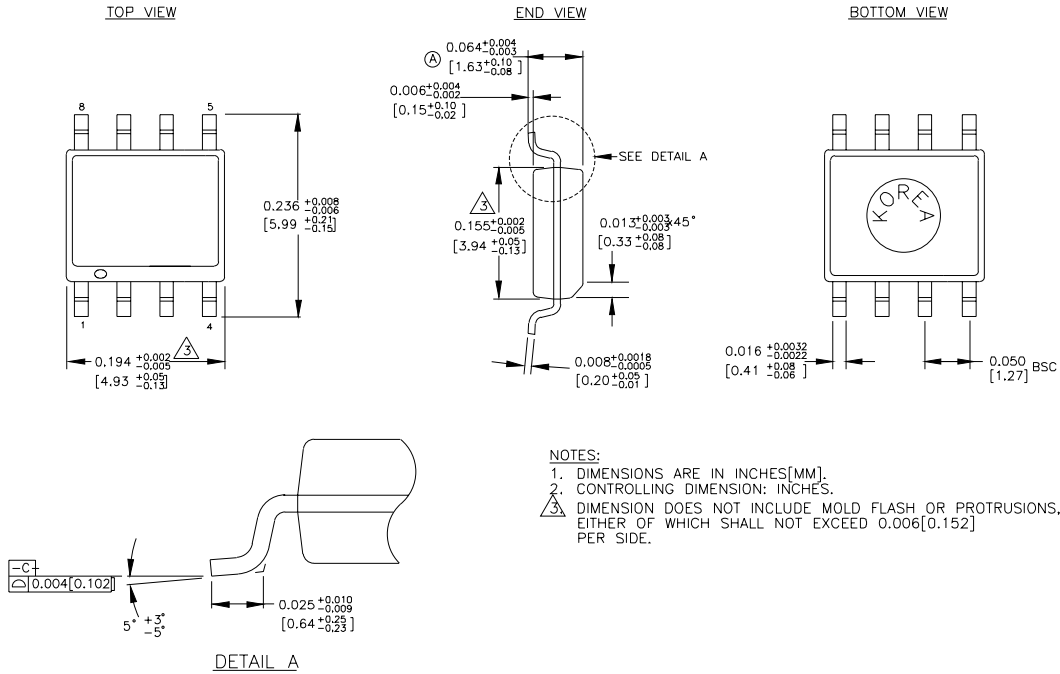
8 LEAD MSOP (K8-1)



NOTES:
 1. DIMENSIONS ARE IN MM [INCHES]
 2. CONTROLLING DIMENSION: MM
 3. DIMENSION DOES NOT INCLUDE MOLD FLASH OR PROTRUSIONS, EITHER OF WHICH SHALL NOT EXCEED 0.20 [0.008] PER SIDE.

Rev. 01

8 LEAD SOIC .150" WIDE (Z8-1)



Rev. 03

MICREL, INC. 1849 FORTUNE DRIVE SAN JOSE, CA 95131 USA

TEL + 1 (408) 944-0800 FAX + 1 (408) 944-0970 WEB <http://www.micrel.com>

The information furnished by Micrel in this datasheet is believed to be accurate and reliable. However, no responsibility is assumed by Micrel for its use. Micrel reserves the right to change circuitry and specifications at any time without notification to the customer.

Micrel Products are not designed or authorized for use as components in life support appliances, devices or systems where malfunction of a product can reasonably be expected to result in personal injury. Life support devices or systems are devices or systems that (a) are intended for surgical implant into the body or (b) support or sustain life, and whose failure to perform can be reasonably expected to result in a significant injury to the user. A Purchaser's use or sale of Micrel Products for use in life support appliances, devices or systems is at Purchaser's own risk and Purchaser agrees to fully indemnify Micrel for any damages resulting from such use or sale.

Looking for pricing, stock, or lifecycle information?

Click below to explore more details on WIN SOURCE:

 [View SY100ELT28KI-TR on WIN SOURCE](#)

 [Microchip Technology](#) Information

Optimize Your Supply Chain with WIN SOURCE Solutions

-  Global Sourcing Solution
-  Obsolete Management
-  Cost Control Management
-  Shortage Management
-  Alternative Solution
-  Excess Inventory Management