



**THE DATASHEET OF
S29WS128N0SBFW013**





S29WS256N
S29WS128N

256/128 Mbit (16/8 M x 16 bit), 1.8 V, Simultaneous Read/Write, Burst Flash

This product family has been retired and is not recommended for designs. For new and current designs, the S29WS128P and S29WS256P supersede the S29WS128N and S29WS256N respectively. These are the factory-recommended migration paths. Please refer to the S29WS-P Family data sheet for specifications and ordering information.

General Description

The Spansion S29WS256/128 are MirrorBit™ Flash products fabricated on 110 nm process technology. These burst mode Flash devices are capable of performing simultaneous read and write operations with zero latency on two separate banks using separate data and address pins. These products can operate up to 80 MHz and use a single V_{CC} of 1.7 V to 1.95 V that makes them ideal for today's demanding wireless applications requiring higher density, better performance and lowered power consumption.

Distinctive Characteristics

- Single 1.8 V read/program/erase (1.70–1.95 V)
- 110 nm MirrorBit™ Technology
- Simultaneous Read/Write operation with zero latency
- 32-word Write Buffer
- Sixteen-bank architecture consisting of 16/8 Mwords for WS256N/128N, respectively
- Four 16 Kword sectors at both top and bottom of memory array
- 254/126 64 Kword sectors (WS256N/128N)
- Programmable linear (8/16/32) with or without wrap around and continuous burst read modes
- Secured Silicon Sector region consisting of 128 words each for factory and customer
- 20-year data retention (typical)
- Cycling Endurance: 100,000 cycles per sector (typical)
- RDY output indicates data available to system
- Command set compatible with JEDEC (42.4) standard
- Hardware (WP#) protection of top and bottom sectors
- Dual boot sector configuration (top and bottom)
- Offered Packages
- WS256N/128N: 84-ball FBGA (8 mm x 11.6 mm)
- Low V_{CC} write inhibit
- Persistent and Password methods of Advanced Sector Protection
- Write operation status bits indicate program and erase operation completion
- Suspend and Resume commands for Program and Erase operations
- Unlock Bypass program command to reduce programming time
- Synchronous or Asynchronous program operation, independent of burst control register settings
- ACC input pin to reduce factory programming time
- Support for Common Flash Interface (CFI)

Performance Characteristics

Read Access Times			
Speed Option (MHz)	80	66	54
Max. Synch. Latency, ns (t _{IACC})	80	80	80
Max. Synch. Burst Access, ns (t _{BACC})	9	11.2	13.5
Max. Asynch. Access Time, ns (t _{ACC})	80	80	80
Max. Asynch. Page Access Time, ns (t _{PACC})	20	20	20
Max CE# Access Time, ns (t _{CE})	80	80	80
Max OE# Access Time, ns (t _{OE})	13.5	13.5	13.5

Current Consumption (typical values)	
Continuous Burst Read @ 80 MHz	38 mA
Simultaneous Operation (asynchronous)	50 mA
Program (asynchronous)	19 mA
Erase (asynchronous)	19 mA
Standby Mode (asynchronous)	20 μA

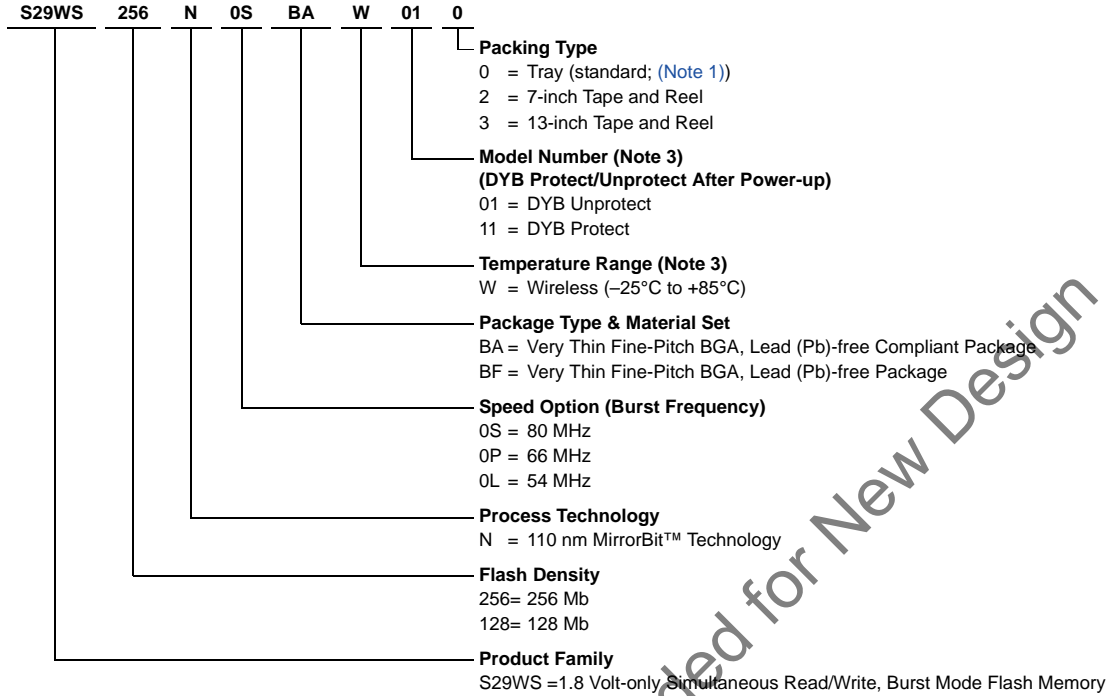
Typical Program & Erase Times	
Single Word Programming	40 μs
Effective Write Buffer Programming (V _{CC}) Per Word	9.4 μs
Effective Write Buffer Programming (V _{ACC}) Per Word	6 μs
Sector Erase (16 Kword Sector)	150 ms
Sector Erase (64 Kword Sector)	600 ms

Contents

1. Ordering Information	3	11.7 DC Characteristics (CMOS Compatible).....	54
1.1 Valid Combinations	3	11.8 AC Characteristics	55
2. Input/Output Descriptions & Logic Symbol	4	12. Appendix	72
3. Block Diagram	5	12.1 Common Flash Memory Interface.....	75
4. Physical Dimensions/Connection Diagrams	5	13. Document History Page	78
4.1 Related Documents	5		
4.2 Special Handling Instructions for FBGA Package.....	5		
4.3 MCP Look-ahead Connection Diagram	7		
5. Additional Resources	9		
6. Product Overview	10		
6.1 Memory Map	10		
7. Device Operations	12		
7.1 Device Operation Table	12		
7.2 Asynchronous Read.....	12		
7.3 Page Read Mode	13		
7.4 Synchronous (Burst) Read Mode & Configuration Register.....	14		
7.5 Autoselect	18		
7.6 Program/Erase Operations	21		
7.7 Simultaneous Read/Write	38		
7.8 Writing Commands/Command Sequences.....	38		
7.9 Handshaking	39		
7.10 Hardware Reset	39		
7.11 Software Reset	40		
8. Advanced Sector Protection/Unprotection	41		
8.1 Lock Register	42		
8.2 Persistent Protection Bits.....	43		
8.3 Dynamic Protection Bits.....	44		
8.4 Persistent Protection Bit Lock Bit.....	44		
8.5 Password Protection Method	44		
8.6 Advanced Sector Protection Software Examples	46		
8.7 Hardware Data Protection Methods.....	46		
9. Power Conservation Modes	47		
9.1 Standby Mode.....	47		
9.2 Automatic Sleep Mode.....	47		
9.3 Hardware RESET# Input Operation.....	47		
9.4 Output Disable (OE#).....	47		
10. Secured Silicon Sector Flash Memory Region	48		
10.1 Factory Secured Silicon Sector	48		
10.2 Customer Secured Silicon Sector	49		
10.3 Secured Silicon Sector Entry/Exit Command Sequences	49		
11. Electrical Specifications	51		
11.1 Absolute Maximum Ratings	51		
11.2 Operating Ranges.....	52		
11.3 Test Conditions	52		
11.4 Key to Switching Waveforms	52		
11.5 Switching Waveforms	53		
11.6 V _{CC} Power-up	53		

1. Ordering Information

The order number is formed by a valid combinations of the following:



1.1 Valid Combinations

Valid Combinations list configurations planned to be supported in volume for this device. Consult your local sales office to confirm availability of specific valid combinations and to check on newly released combinations.

S29WS-N Valid Combinations (1), (2), (3)						DYB Power Up State	Package Type (2)
Base Ordering Part Number	Product Status	Speed Option	Package Type, Material, & Temperature Range	Model Number	Packing Type		
S29WS256N	Preliminary	0S, 0P, 0L	BAW (Lead (Pb)-free Compliant), BFW (Lead (Pb)-free)	01	0, 2, 3 (1)	Unprotect	8 mm x 11.6 mm 84-ball MCP-Compatible
				11		Protect	
S29WS128N	Preliminary	0S, 0P, 0L		01		Unprotect	
				11		Protect	

Notes:

1. Type 0 is standard. Specify other options as required.
2. BGA package marking omits leading "S29" and packing type designator from ordering part number.
3. For other boot option contact your local sales office.

2. Input/Output Descriptions & Logic Symbol

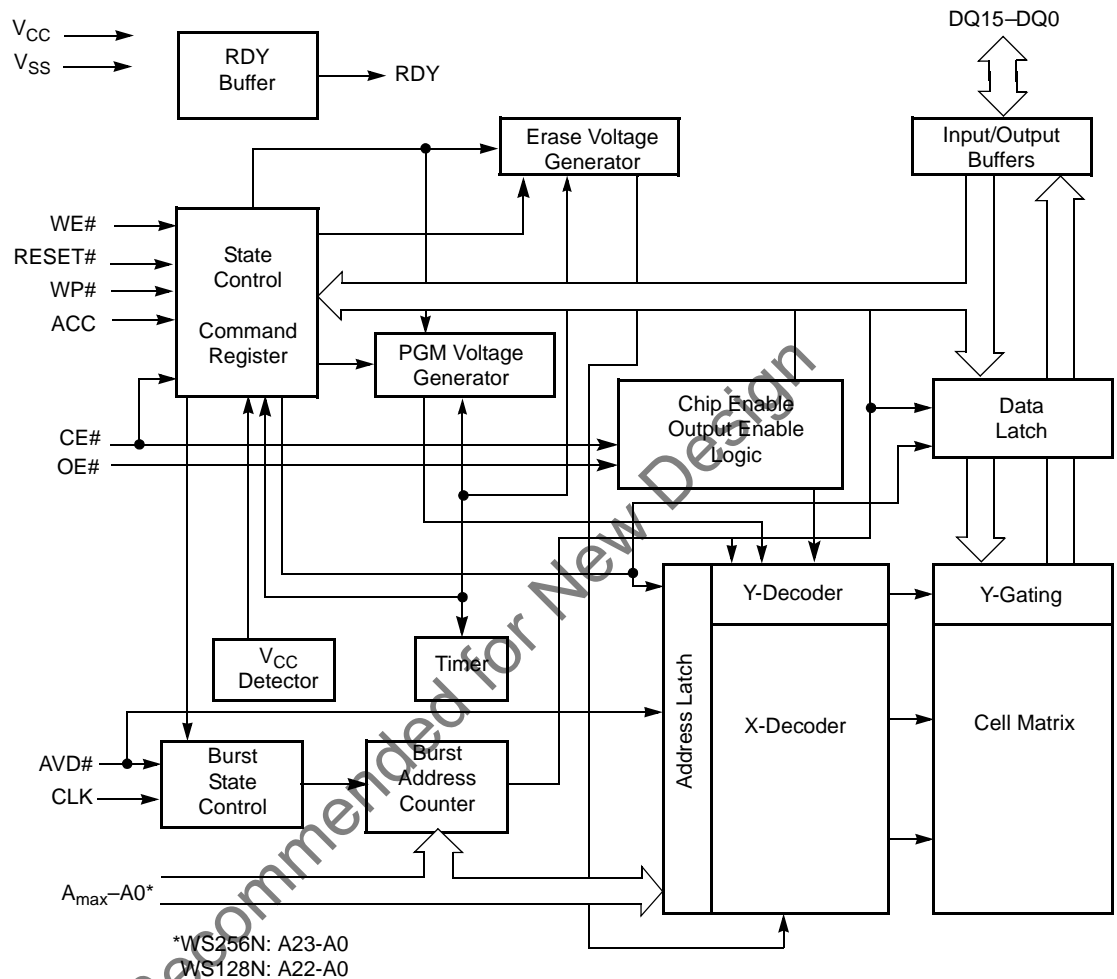
Table identifies the input and output package connections provided on the device.

Input/Output Descriptions

Symbol	Type	Description
A23–A0	Input	Address lines for WS256N (A22–A0 for WS128).
DQ15–DQ0	I/O	Data input/output.
CE#	Input	Chip Enable. Asynchronous relative to CLK.
OE#	Input	Output Enable. Asynchronous relative to CLK.
WE#	Input	Write Enable.
V _{CC}	Supply	Device Power Supply.
V _{SS}	I/O	Ground.
NC	No Connect	Not connected internally.
RDY	Output	Ready. Indicates when valid burst data is ready to be read.
CLK	Input	Clock Input. In burst mode, after the initial word is output, subsequent active edges of CLK increment the internal address counter.
AVD#	Input	Address Valid. Indicates to device that the valid address is present on the address inputs. When low during asynchronous mode, indicates valid address; when low during burst mode, causes starting address to be latched at the next active clock edge. When high, device ignores address inputs.
RESET#	Input	Hardware Reset. Low = device resets and returns to reading array data.
WP#	Input	Write Protect. At V _{IL} , disables program and erase functions in the four outermost sectors. Should be at V _{IH} for all other conditions.
ACC	Input	Acceleration Input. At V _{HH} , accelerates programming; automatically places device in unlock bypass mode. At V _{IL} , disables all program and erase functions. Should be at V _{IH} for all other conditions.
RFU	Reserved	Reserved for future use (see Figure 4.3, MCP Look-ahead Diagram on page 8).

Not Recommended for New Design

3. Block Diagram



4. Physical Dimensions/Connection Diagrams

This section shows the I/O designations and package specifications for the S29WS-N.

4.1 Related Documents

The following documents contain information relating to the S29WS-N devices. Click on the title or go to www.amd.com/flash (click on Technical Documentation) or www.fujitsu.com to download the PDF file, or request a copy from your sales office.

- Migration to the S29WS256N Family Application Note
- Considerations for X-ray Inspection of Surface-Mounted Flash Integrated Circuits

4.2 Special Handling Instructions for FBGA Package

Special handling is required for Flash Memory products in FBGA packages.

Flash memory devices in FBGA packages may be damaged if exposed to ultrasonic cleaning methods. The package and/or data integrity may be compromised if the package body is exposed to temperatures above 150°C for prolonged periods of time.

Figure 4.1 84-ball Fine-Pitch Ball Grid Array (S29WS256N, S29WS128N)
(Top View, Balls Facing Down, MCP Compatible)

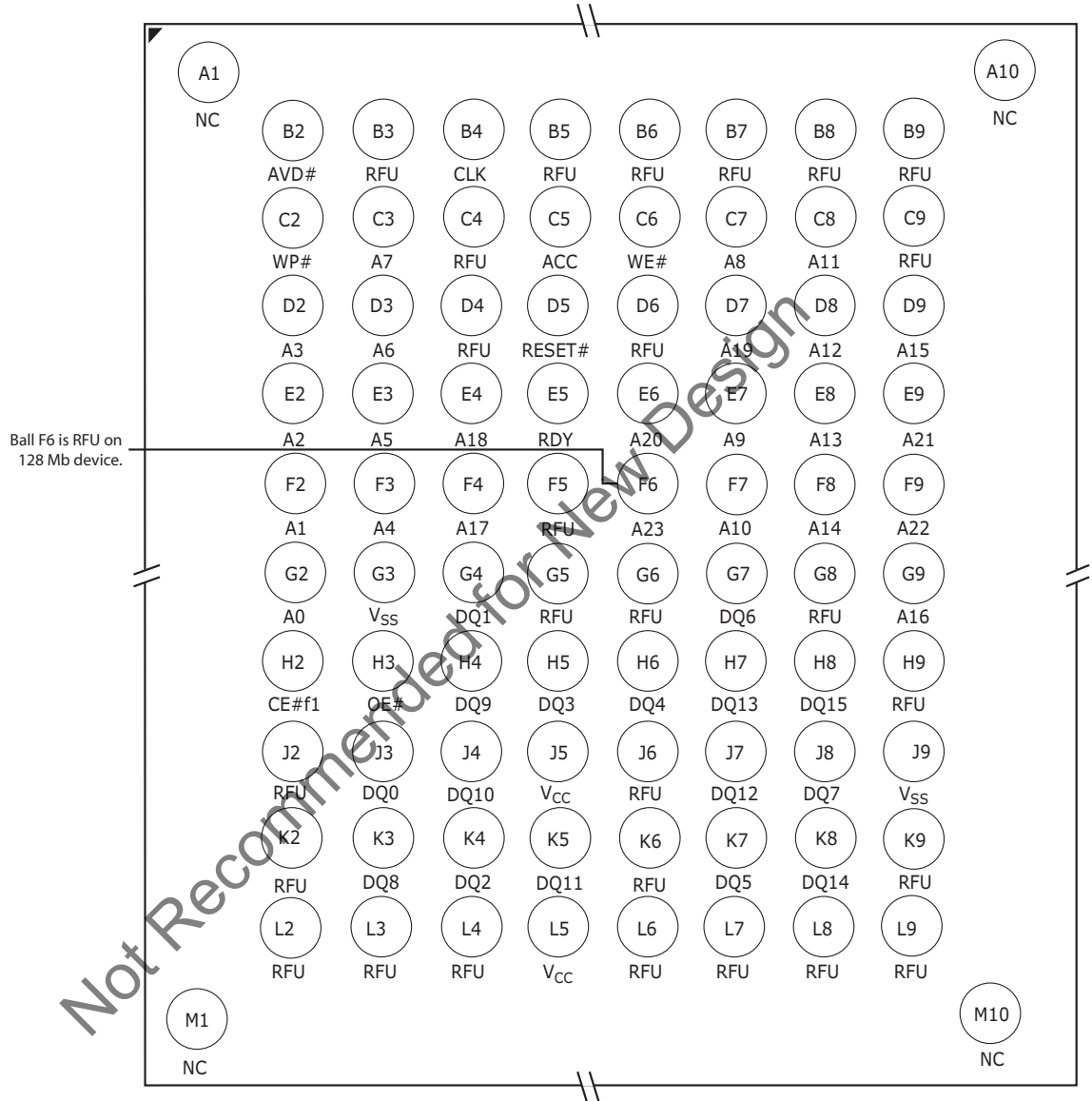
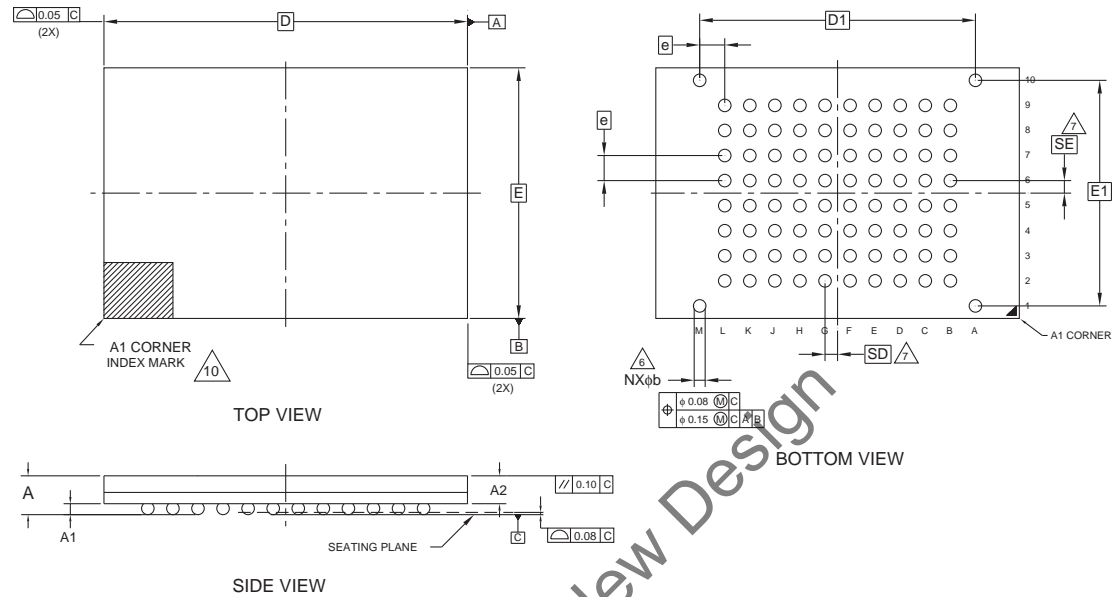


Figure 4.2 VBH084—84-ball Fine-Pitch Ball Grid Array (FBGA) 8 x 11.6 mm MCP Compatible Package



PACKAGE	VBH 084			
JEDEC	N/A			
	11.60 mm x 8.00 mm NOM PACKAGE			
SYMBOL	MIN	NOM	MAX	NOTE
A	---	---	1.00	OVERALL THICKNESS
A1	0.18	---	---	BALL HEIGHT
A2	0.62	---	0.76	BODY THICKNESS
D	11.60 BSC.			BODY SIZE
E	8.00 BSC.			BODY SIZE
D1	8.80 BSC.			BALL FOOTPRINT
E1	7.20 BSC.			BALL FOOTPRINT
MD	12			ROW MATRIX SIZE D DIRECTION
ME	10			ROW MATRIX SIZE E DIRECTION
N	84			TOTAL BALL COUNT
φb	0.83	---	0.43	BALL DIAMETER
e	0.80 BSC.			BALL PITCH
SD / SE	0.40 BSC.			SOLDER BALL PLACEMENT
	(A2-A9, B10-L10, M2-M9, B1-L1)			DEPOPULATED SOLDER BALLS

NOTES:

- DIMENSIONING AND TOLERANCING PER ASME Y14.5M-1994.
- ALL DIMENSIONS ARE IN MILLIMETERS.
- BALL POSITION DESIGNATION PER JESD 95-1, SPP-010 (EXCEPT AS NOTED).
- e REPRESENTS THE SOLDER BALL GRID PITCH.
- SYMBOL "MD" IS THE BALL ROW MATRIX SIZE IN THE "D" DIRECTION.
SYMBOL "ME" IS THE BALL COLUMN MATRIX SIZE IN THE "E" DIRECTION.
N IS THE TOTAL NUMBER OF SOLDER BALLS.
- DIMENSION "b" IS MEASURED AT THE MAXIMUM BALL DIAMETER IN A PLANE PARALLEL TO DATUM C.
- SD AND SE ARE MEASURED WITH RESPECT TO DATUMS A AND B AND DEFINE THE POSITION OF THE CENTER SOLDER BALL IN THE OUTER ROW.
WHEN THERE IS AN ODD NUMBER OF SOLDER BALLS IN THE OUTER ROW PARALLEL TO THE D OR E DIMENSION, RESPECTIVELY, SD OR SE = 0.000.
WHEN THERE IS AN EVEN NUMBER OF SOLDER BALLS IN THE OUTER ROW, SD OR SE = $\frac{e}{2}$.
- NOT USED.
- "+" INDICATES THE THEORETICAL CENTER OF DEPOPULATED BALLS.
- A1 CORNER TO BE IDENTIFIED BY CHAMFER, LASER OR INK MARK, METALLIZED MARK INDENTATION OR OTHER MEANS.

3339 \ 16-038.25b

Note:

BSC is an ANSI standard for Basic Space Centering.

4.3 MCP Look-ahead Connection Diagram

Figure 4.3 on page 8 shows a migration path from the S29WS-N to higher densities and the option to include additional die within a single package. Spansion Inc. provides this standard look-ahead connection diagram that supports

- NOR Flash and SRAM densities up to 4 Gigabits
- NOR Flash and pSRAM densities up to 4 Gigabits
- NOR Flash and pSRAM and data storage densities up to 4 Gigabits

The following multi-chip package (MCP) data sheet(s) are based on the S29WS-N. Refer to these documents for input/output descriptions for each product:

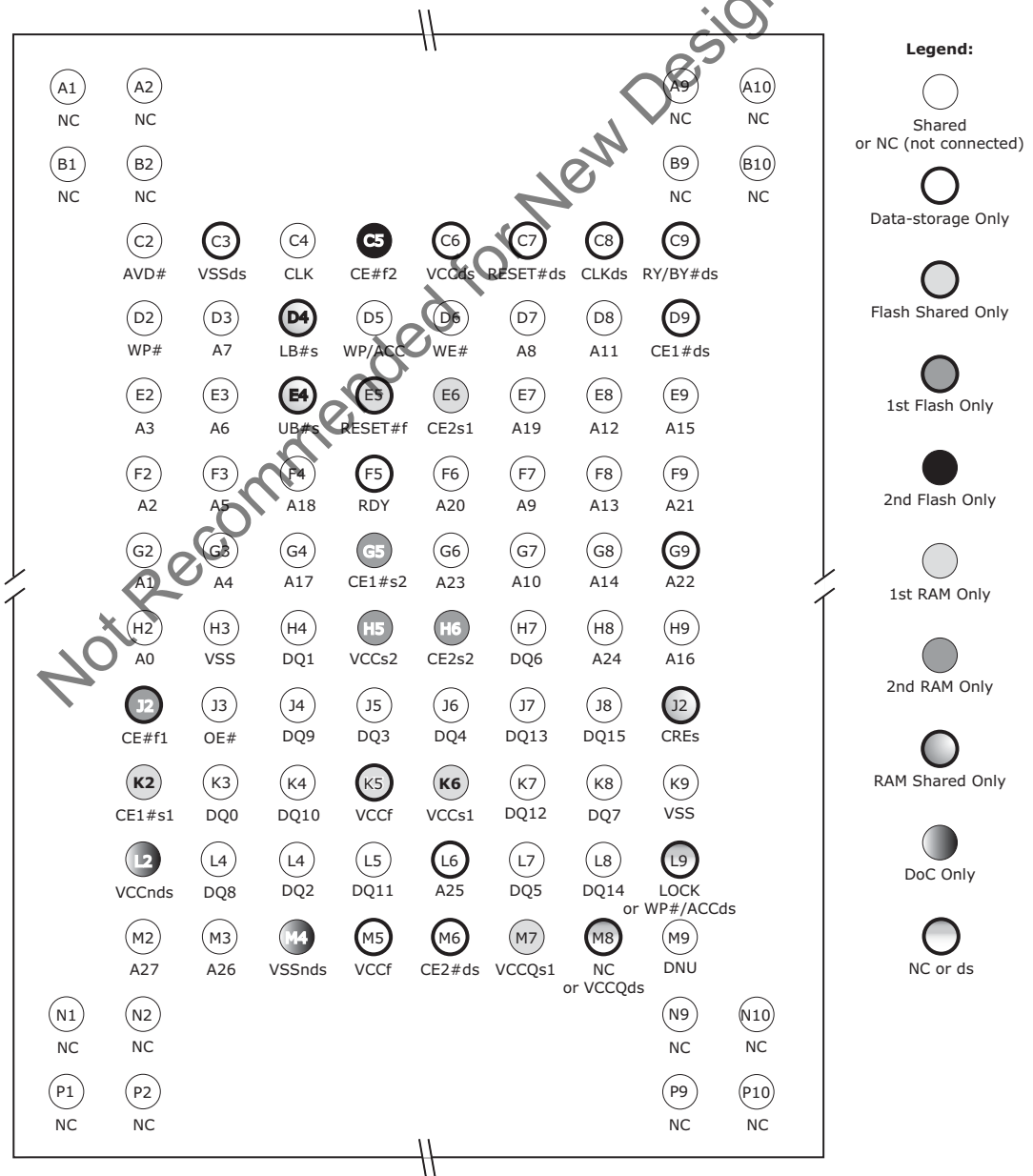
Publication Number S71WS256_512NC0.

The physical package outline may vary between connection diagrams and densities. The connection diagram for any MCP, however, is a subset of the pinout in [Figure 4.3](#).

In some cases, outrigger balls may exist in locations outside the grid shown. These outrigger balls are reserved; do not connect them to any other signal.

For further information about the MCP look-ahead pinout, refer to the *Design-In Scalable Wireless Solutions with Spansion Products* application note, available on the web or through a Spansion sales office.

Figure 4.3 MCP Look-ahead Diagram
96-ball Fine-Pitch Ball Grid Array (Top View, Balls Facing Down)



5. Additional Resources

Visit www.spansion.com to obtain the following related documents:

Application Notes

- Using the Operation Status Bits in AMD Devices
- Understanding Burst Mode Flash Memory Devices
- Simultaneous Read/Write vs. Erase Suspend/Resume
- MirrorBit™ Flash Memory Write Buffer Programming and Page Buffer Read
- Design-In Scalable Wireless Solutions with Spansion Products
- Common Flash Interface Version 1.4 Vendor Specific Extensions

Specification Bulletins

Contact your local sales office for details.

Drivers and Software Support

- Spansion low-level drivers
- Enhanced Flash drivers
- Flash file system

CAD Modeling Support

- VHDL and Verilog
- IBIS
- ORCAD

Technical Support

Contact your local sales office or contact Spansion Inc. directly for additional technical support:

US: (408) 749-5703

Japan (03) 5322-3324

Spansion Inc. Locations

915 DeGuigne Drive, P.O. Box 3453
Sunnyvale, CA 94088-3453, USA
Telephone: 408-962-2500 or
1-866-SPANSION

Spansion Japan Limited
Cube-Kawasaki 9F/10F,
1-14 Nisshin-cho, Kawasaki-ku, Kawasaki-shi,
Kanagawa, 210-0024, Japan
Phone : 044-223-1700

Not Recommended for New Design

6. Product Overview

The S29WS-N family consists of 256, 128 Mbit, 1.8 volts-only, simultaneous read/write burst mode Flash device optimized for today's wireless designs that demand a large storage array, rich functionality, and low power consumption.

These devices are organized in 16 or 8 Mwords of 16 bits each and are capable of continuous, synchronous (burst) read or linear read (8-, 16-, or 32-word aligned group) with or without wrap around. These products also offer single word programming or a 32-word buffer for programming with program/erase and suspend functionality. Additional features include:

- Advanced Sector Protection methods for protecting sectors as required
- 256 words of Secured Silicon area for storing customer and factory secured information. The Secured Silicon Sector is One Time Programmable.

6.1 Memory Map

The S29WS256/128N Mbit devices consist of 16 banks organized as shown in [Table –Table](#) .

S29WS256N Sector & Memory Address Map

Bank Size	Sector Count	Sector Size (KB)	Bank	Sector/ Sector Range	Address Range	Notes
2 MB	4	32	0	SA000	000000h–003FFFh	Contains four smaller sectors at bottom of addressable memory.
				SA001	004000h–007FFFh	
				SA002	008000h–00BFFFh	
				SA003	00C000h–00FFFFh	
	15	128	SA004 to SA018	010000h–01FFFFh to 0F0000h–0FFFFFh	All 128 KB sectors. Pattern for sector address range is xx0000h–xxFFFFh. (See Note)	
2 MB	16	128	1	SA019 to SA034		100000h–10FFFFh to 1F0000h–1FFFFFh
2 MB	16	128	2	SA035 to SA050		200000h–20FFFFh to 2F0000h–2FFFFFh
2 MB	16	128	3	SA051 to SA066		300000h–30FFFFh to 3F0000h–3FFFFFh
2 MB	16	128	4	SA067 to SA082		400000h–40FFFFh to 4F0000h–4FFFFFh
2 MB	16	128	5	SA083 to SA098		500000h–50FFFFh to 5F0000h–5FFFFFh
2 MB	16	128	6	SA099 to SA114		600000h–60FFFFh to 6F0000h–6FFFFFh
2 MB	16	128	7	SA115 to SA130		700000h–70FFFFh to 7F0000h–7FFFFFh
2 MB	16	128	8	SA131 to SA146		800000h–80FFFFh to 8F0000h–8FFFFFh
2 MB	16	128	9	SA147 to SA162		900000h–90FFFFh to 9F0000h–9FFFFFh
2 MB	16	128	10	SA163 to SA178		A00000h–A0FFFFh to AF0000h–AFFFFFh
2 MB	16	128	11	SA179 to SA194		B00000h–B0FFFFh to BF0000h–BFFFFFh
2 MB	16	128	12	SA195 to SA210		C00000h–C0FFFFh to CF0000h–CFFFFFh
2 MB	16	128	13	SA211 to SA226		D00000h–D0FFFFh to DF0000h–DFFFFFh
2 MB	16	128	14	SA227 to SA242		E00000h–E0FFFFh to EF0000h–EFFFFFh
2 MB	4	32	15	SA243 to SA257	F00000h–F0FFFFh to FE0000h–FEFFFFh	Contains four smaller sectors at top of addressable memory.
				SA258	FF0000h–FF3FFFh	
				SA259	FF4000h–FF7FFFh	
				SA260	FF8000h–FFBFFFh	
	15	128	SA261	FFC000h–FFFFFh		

Note:

This table has been condensed to show sector-related information for an entire device on a single page. Sectors and their address ranges that are not explicitly listed (such as SA005–SA017) have sector starting and ending addresses that form the same pattern as all other sectors of that size. For example, all 128 KB sectors have the pattern xx00000h–xxFFFFh.

S29WS128N Sector & Memory Address Map

Bank Size	Sector Count	Sector Size (KB)	Bank	Sector/ Sector Range	Address Range	Notes	
1 MB	4	32	0	SA000	000000h–003FFFh	Contains four smaller sectors at bottom of addressable memory.	
		32		SA001	004000h–007FFFh		
		32		SA002	008000h–00BFFFh		
		32		SA003	00C000h–00FFFFh		
	7	128	SA004 to SA010	010000h–01FFFFh to 070000h–07FFFFh	All 128 KB sectors. Pattern for sector address range is xx0000h–xxFFFFh. (See Note)		
1 MB	8	128	1	SA011 to SA018		080000h–08FFFFh to 0F0000h–0FFFFFh	
1 MB	8	128	2	SA019 to SA026		100000h–10FFFFh to 170000h–17FFFFh	
1 MB	8	128	3	SA027 to SA034		180000h–18FFFFh to 1F0000h–1FFFFFh	
1 MB	8	128	4	SA035 to SA042		200000h–20FFFFh to 270000h–27FFFFh	
1 MB	8	128	5	SA043 to SA050		280000h–28FFFFh to 2F0000h–2FFFFFh	
1 MB	8	128	6	SA051 to SA058		300000h–30FFFFh to 370000h–37FFFFh	
1 MB	8	128	7	SA059 to SA066		380000h–38FFFFh to 3F0000h–3FFFFFh	
1 MB	8	128	8	SA067 to SA074		400000h–40FFFFh to 470000h–47FFFFh	
1 MB	8	128	9	SA075 to SA082		480000h–48FFFFh to 4F0000h–4FFFFFh	
1 MB	8	128	10	SA083 to SA090		500000h–50FFFFh to 570000h–57FFFFh	
1 MB	8	128	11	SA091 to SA098		580000h–58FFFFh to 5F0000h–5FFFFFh	
1 MB	8	128	12	SA099 to SA106		600000h–60FFFFh to 670000h–67FFFFh	
1 MB	8	128	13	SA107 to SA114		680000h–68FFFFh to 6F0000h–6FFFFFh	
1 MB	8	128	14	SA115 to SA122		700000h–70FFFFh to 770000h–77FFFFh	
1 MB	7	128	15	SA123 to SA129		780000h–78FFFFh to 7E0000h–7EFFFFh	Contains four smaller sectors at top of addressable memory.
	4	32		SA130		7F0000h–7F3FFFh	
		32		SA131	7F4000h–7F7FFFh		
		32		SA132	7F8000h–7FBFFFh		
		32		SA133	7FC000h–7FFFFFh		

Note:

This table has been condensed to show sector-related information for an entire device on a single page. Sectors and their address ranges that are not explicitly listed (such as SA005–SA009) have sector starting and ending addresses that form the same pattern as all other sectors of that size. For example, all 128 KB sectors have the pattern xx0000h–xxFFFFh.

Not Recommended for New Design

7. Device Operations

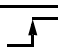








This section describes the read, program, erase, simultaneous read/write operations, handshaking, and reset features of the Flash devices.

Operations are initiated by writing specific commands or a sequence with specific address and data patterns into the command registers (see [Table on page 72](#) and [Table on page 46](#)). The command register itself does not occupy any addressable memory location; rather, it is composed of latches that store the commands, along with the address and data information needed to execute the command. The contents of the register serve as input to the internal state machine and the state machine outputs dictate the function of the device. Writing incorrect address and data values or writing them in an improper sequence may place the device in an unknown state, in which case the system must write the reset command to return the device to the reading array data mode.

7.1 Device Operation Table

The device must be setup appropriately for each operation. [Table](#) describes the required state of each control pin for any particular operation.

Device Operations

Operation	CE#	OE#	WE#	Addresses	DQ15-0	RESET#	CLK	AVD#
Asynchronous Read - Addresses Latched	L	L	H	Addr In	Data Out	H	X	
Asynchronous Read - Addresses Steady State	L	L	H	Addr In	Data Out	H	X	L
Asynchronous Write	L	H	L	Addr In	I/O	H	X	L
Synchronous Write	L	H	L	Addr In	I/O	H		
Standby (CE#)	H	X	X	X	HIGH Z	H	X	X
Hardware Reset	X	X	X	X	HIGH Z	L	X	X
Burst Read Operations (Synchronous)								
Load Starting Burst Address	L	X	H	Addr In	X	H		
Advance Burst to next address with appropriate Data presented on the Data Bus	L	L	H	X	Burst Data Out	H		H
Terminate current Burst read cycle	H	X	H	X	HIGH Z	H		X
Terminate current Burst read cycle via RESET#	X	X	H	X	HIGH Z	L	X	X
Terminate current Burst read cycle and start new Burst read cycle	L	X	H	Addr In	I/O	H		

Legend:

L = Logic 0, H = Logic 1, X = Don't Care, I/O = Input/Output.

7.2 Asynchronous Read

All memories require access time to output array data. In an asynchronous read operation, data is read from one memory location at a time. Addresses are presented to the device in random order, and the propagation delay through the device causes the data on its outputs to arrive asynchronously with the address on its inputs.

The device defaults to reading array data asynchronously after device power-up or hardware reset. To read data from the memory array, the system must first assert a valid address on $A_{max}-A0$, while driving AVD# and CE# to V_{IL} . WE# must remain at V_{IH} . The rising edge of AVD# latches the address. The OE# signal must be driven to V_{IL} , once AVD# has been driven to V_{IH} . Data is output on A/DQ15-A/DQ0 pins after the access time (t_{OE}) has elapsed from the falling edge of OE#.

7.3 Page Read Mode

The device is capable of fast page mode read and is compatible with the page mode Mask ROM read operation. This mode provides faster read access speed for random locations within a page. The random or initial page access is t_{ACC} or t_{CE} and subsequent page read accesses (as long as the locations specified by the microprocessor falls within that page) is equivalent to t_{PACC} . When CE# is deasserted ($= V_{IH}$), the reassertion of CE# for subsequent access has access time of t_{ACC} or t_{CE} . Here again, CE# selects the device and OE# is the output control and should be used to gate data to the output inputs if the device is selected. Fast page mode accesses are obtained by keeping $A_{max} - A2$ constant and changing $A1 - A0$ to select the specific word within that page.

Address bits $A_{max} - A2$ select a 4-word page, and address bits $A1 - A0$ select a specific word within that page. This is an asynchronous operation with the microprocessor supplying the specific word location. See Table for details on selecting specific words.

The device is automatically set to reading array data after device power-up. No commands are required to retrieve data. Each bank is ready to read array data after completing an Embedded Program or Embedded Erase algorithm.

Reads from the memory array may be performed in conjunction with the Erase Suspend and Program Suspend features. After the device accepts an Erase Suspend command, the corresponding bank enters the erase-suspend-read mode, after which the system can read data from any non-erase-suspended sector within the same bank. The system can read array data using the standard read timing, except that if it reads at an address within erase-suspended sectors, the device outputs status data. After completing a programming operation in the Erase Suspend mode, the system may once again read array data with the same exception. After the device accepts a Program Suspend command, the corresponding bank enters the program-suspend-read mode, after which the system can read data from any non-program-suspended sector within the same bank.

The de-assertion and re-assertion of AVD# creates a new t_{ACC} . It does not matter if AVD# stays low or toggles once. However, the address input must always be valid and stable if AVD# is low during the page read. The user must keep AVD# low during and between page reads on address $A(1:0)$.

During Simultaneous Operation (SO), the user needs to de-assert and re-assert either /CE# or /AVD# when performing data polling to SO read.

Word Selection within a Page

Word	A1	A0
Word 0	0	0
Word 1	0	1
Word 2	1	0
Word 3	1	1

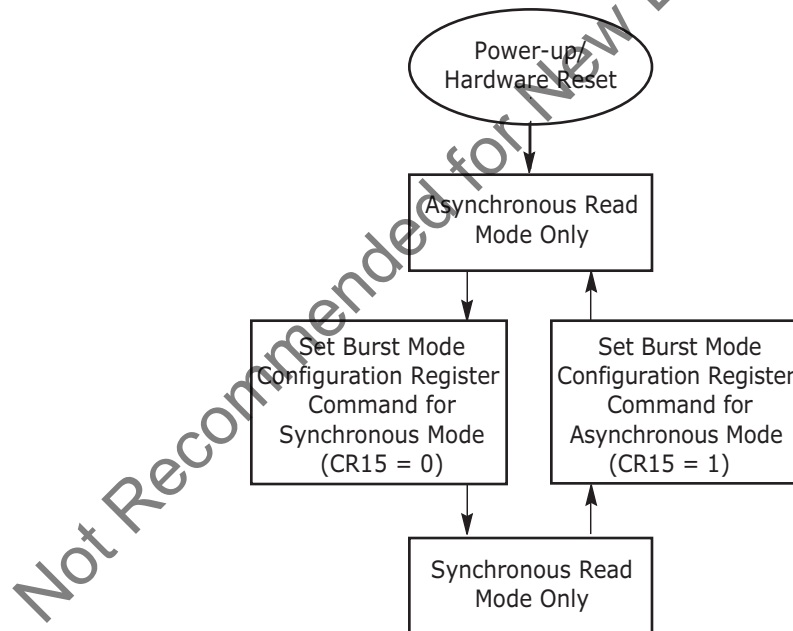
7.4 Synchronous (Burst) Read Mode & Configuration Register

When a series of adjacent addresses needs to be read from the device (in order from lowest to highest address), the synchronous (or burst read) mode can be used to significantly reduce the overall time needed for the device to output array data. Asynchronous read mode can be automatically enabled for burst mode by setting the configuration register to enter Synchronous mode. After an initial access time required for the data from the first address location, subsequent data is output synchronized to a clock input provided by the system.

The device offers both continuous and linear methods of burst read operation, which are discussed in [Continuous Burst Read Mode on page 17 and 8-, 16-, 32-Word Linear Burst Read with Wrap Around on page 17](#), and [8-, 16-, 32-Word Linear Burst without Wrap Around on page 17](#).

Since the device defaults to asynchronous read mode after power-up or a hardware reset, the configuration register must be set to enable the burst read mode. Other Configuration Register settings include the number of wait states to insert before the initial word (t_{IACC}) of each burst access, the burst mode in which to operate, and when RDY indicates data is ready to be read. Prior to entering the burst mode, the system should first determine the configuration register settings (and read the current register settings if desired via the Read Configuration Register command sequence), and then write the configuration register command sequence. See [Configuration Register on page 18](#), and [Table on page 72](#), for further details.

Figure 7.1 Synchronous/Asynchronous State Diagram



The device outputs the initial word subject to the following operational conditions:

- t_{IACC} specification: the time from the rising edge of the first clock cycle after addresses are latched to valid data on the device outputs.
- configuration register setting CR13–CR11: the total number of clock cycles (wait states) that occur before valid data appears on the device outputs. The effect is that t_{IACC} is lengthened.

The device outputs subsequent words t_{BACC} after the active edge of each successive clock cycle, which also increments the internal address counter. The device outputs burst data at this rate subject to the following operational conditions:

- starting address: whether the address is divisible by four (where $A[1:0]$ is 00). A divisible-by-four address incurs the least number of additional wait states that occur after the initial word. The number of additional wait states required increases for burst operations in which the starting address is one, two, or three locations above the divisible-by-four address (i.e., where $A[1:0]$ is 01, 10, or 11).
- boundary crossing: There is a boundary at every 128 words due to the internal architecture of the device. One additional wait state must be inserted when crossing this boundary if the memory bus is operating at a high clock frequency. Please refer to the tables below.

■ clock frequency: the speed at which the device is expected to burst data. Higher speeds require additional wait states after the initial word for proper operation.

In all cases, with or without latency, the RDY output indicates when the next data is available to be read.

Table on page 15 to Table on page 16 reflect wait states required for S29WS256/128N devices. Refer to the table (CR11 - CR14) and timing diagrams for more details.

Address Latency (S29WS256N)

Word	Wait States	Cycle								
0	x ws	D0	D1	D2	D3	D4	D5	D6	D7	D8
1	x ws	D1	D2	D3	1 ws	D4	D5	D6	D7	D8
2	x ws	D2	D3	1 ws	1 ws	D4	D5	D6	D7	D8
3	x ws	D3	1 ws	1 ws	1 ws	D4	D5	D6	D7	D8

Address Latency (S29WS128N)

Word	Wait States	Cycle								
0	5, 6, 7 ws	D0	D1	D2	D3	D4	D5	D6	D7	D8
1	5, 6, 7 ws	D1	D2	D3	1 ws	D4	D5	D6	D7	D8
2	5, 6, 7 ws	D2	D3	1 ws	1 ws	D4	D5	D6	D7	D8
3	5, 6, 7 ws	D3	1 ws	1 ws	1 ws	D4	D5	D6	D7	D8

Address/Boundary Crossing Latency (S29WS256N @ 80MHz)

Word	Wait States	Cycle								
0	7 ws	D0	D1	D2	D3	1 ws	1 ws	D4	D5	D6
1	7 ws	D1	D2	D3	1 ws	1 ws	1 ws	D4	D5	D6
2	7 ws	D2	D3	1 ws	1 ws	1 ws	1 ws	D4	D5	D6
3	7 ws	D3	1 ws	1 ws	1 ws	1 ws	1 ws	D4	D5	D6

Address/Boundary Crossing Latency (S29WS256N @ 66 MHz)

Word	Wait States	Cycle								
0	6 ws	D0	D1	D2	D3	1 ws	D4	D5	D6	D7
1	6 ws	D1	D2	D3	1 ws	1 ws	D4	D5	D6	D7
2	6 ws	D2	D3	1 ws	1 ws	1 ws	D4	D5	D6	D7
3	6 ws	D3	1 ws	1 ws	1 ws	1 ws	D4	D5	D6	D7

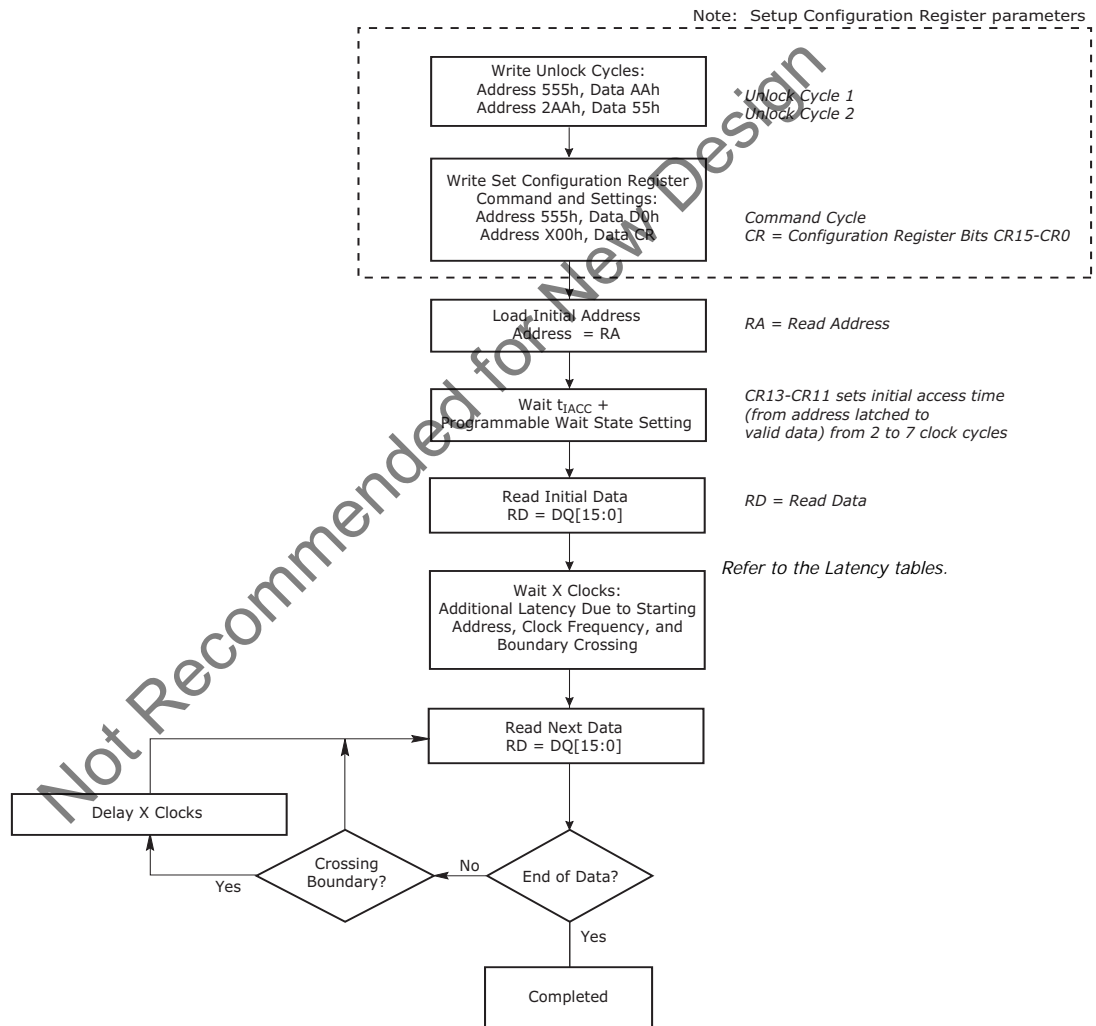
Address/Boundary Crossing Latency (S29WS256N @ 54MHz)

Word	Wait States	Cycle								
0	5 ws	D0	D1	D2	D3	D4	D5	D6	D7	D8
1	5 ws	D1	D2	D3	1 ws	D4	D5	D6	D7	D8
2	5 ws	D2	D3	1 ws	1 ws	D4	D5	D6	D7	D8
3	5 ws	D3	1 ws	1 ws	1 ws	D4	D5	D6	D7	D8

Address/Boundary Crossing Latency (S29WS128N)

Word	Wait States	Cycle								
		D0	D1	D2	D3	1 ws	D4	D5	D6	D7
0	5, 6, 7 ws	D0	D1	D2	D3	1 ws	D4	D5	D6	D7
1	5, 6, 7 ws	D1	D2	D3	1 ws	1 ws	D4	D5	D6	D7
2	5, 6, 7 ws	D2	D3	1 ws	1 ws	1 ws	D4	D5	D6	D7
3	5, 6, 7 ws	D3	1 ws	1 ws	1 ws	1 ws	D4	D5	D6	D7

Figure 7.2 Synchronous Read



7.4.1 Continuous Burst Read Mode

In the continuous burst read mode, the device outputs sequential burst data from the starting address given and then wrap around to address 000000h when it reaches the highest addressable memory location. The burst read mode continues until the system drives CE# high, or RESET= V_{IL}. Continuous burst mode can also be aborted by asserting AVD# low and providing a new address to the device.

If the address being read crosses a 128-word line boundary (as mentioned above) and the subsequent word line is not being programmed or erased, additional latency cycles are required as reflected by the configuration register table (Table on page 18).

If the address crosses a bank boundary while the subsequent bank is programming or erasing, the device provides read status information and the clock is ignored. Upon completion of status read or program or erase operation, the host can restart a burst read operation using a new address and AVD# pulse.

7.4.2 8-, 16-, 32-Word Linear Burst Read with Wrap Around

In a linear burst read operation, a fixed number of words (8, 16, or 32 words) are read from consecutive addresses that are determined by the group within which the starting address falls. The groups are sized according to the number of words read in a single burst sequence for a given mode (see Table on page 17).

For example, if the starting address in the 8-word mode is 3Ch, the address range to be read would be 38-3Fh, and the burst sequence would be 3C-3D-3E-3F-38-39-3A-3Bh. Thus, the device outputs all words in that burst address group until all word are read, regardless of where the starting address occurs in the address group, and then terminates the burst read.

In a similar fashion, the 16-word and 32-word Linear Wrap modes begin their burst sequence on the starting address provided to the device, then wrap back to the first address in the selected address group.

Note that in this mode the address pointer does not cross the boundary that occurs every 128 words; thus, no additional wait states are inserted due to boundary crossing.

Burst Address Groups

Mode	Group Size	Group Address Ranges
8-word	8 words	0-7h, 8-Fh, 10-17h,...
16-word	16 words	0-Fh, 10-1Fh, 20-2Fh,...
32-word	32 words	00-1Fh, 20-3Fh, 40-5Fh,...

7.4.3 8-, 16-, 32-Word Linear Burst without Wrap Around

If wrap around is not enabled for linear burst read operations, the 8-word, 16-word, or 32-word burst executes up to the maximum memory address of the selected number of words. The burst stops after 8, 16, or 32 addresses and does not wrap around to the first address of the selected group.

For example, if the starting address in the 8- word mode is 3Ch, the address range to be read would be 39-40h, and the burst sequence would be 3C-3D-3E-3F-40-41-42-43h if wrap around is not enabled. The next address to be read requires a new address and AVD# pulse. Note that in this burst read mode, the address pointer may cross the boundary that occurs every 128 words, which will incur the additional boundary crossing wait state.

7.4.4 Configuration Register

The configuration register sets various operational parameters associated with burst mode. Upon power-up or hardware reset, the device defaults to the asynchronous read mode, and the configuration register settings are in their default state. The host system should determine the proper settings for the entire configuration register, and then execute the Set Configuration Register command sequence, before attempting burst operations. The configuration register is not reset after deasserting CE#. The Configuration Register can also be read using a command sequence (see [Table on page 72](#)). The following list describes the register settings.

Configuration Register

CR Bit	Function		Settings (Binary)			
CR15	Set Device Read Mode		0 = Synchronous Read (Burst Mode) Enabled 1 = Asynchronous Read Mode (default) Enabled			
CR14	Reserved		1 = S29WS256N at 6 or 7 Wait State setting 0 = All others			
			54 MHz	66 Mhz	80 MHz	
CR13	Programmable Wait State	S29WS128N	0	1	1	011 = Data valid on 5th active CLK edge after addresses latched 100 = Data valid on 6th active CLK edge after addresses latched 101 = Data valid on 7th active CLK edge after addresses latched (default) 110 = Reserved 111 = Reserved Inserts wait states before initial data is available. Setting greater number of wait states before initial data reduces latency after initial data. (Notes 1, 2)
		S29WS256N				
CR12		S29WS128N	1	0	0	
		S29WS256N				
CR11		S29WS128N				
		S29WS256N	1	0	1	
CR10	RDY Polarity		0 = RDY signal active low 1 = RDY signal active high (default)			
CR9	Reserved		1 = default			
CR8	RDY		0 = RDY active one clock cycle before data 1 = RDY active with data (default) When CR13-CR11 are set to 000, RDY is active with data regardless of CR8 setting.			
CR7	Reserved		1 = default			
CR6	Reserved		1 = default			
CR5	Reserved		0 = default			
CR4	Reserved		0 = default			
CR3	Burst Wrap Around		0 = No Wrap Around Burst 1 = Wrap Around Burst (default) Ignored if in continuous mode			
CR2 CR1 CR0	Burst Length		000 = Continuous (default) 010 = 8-Word Linear Burst 011 = 16-Word Linear Burst 100 = 32-Word Linear Burst (All other bit settings are reserved)			

Notes:

1. Refer to [Table on page 15](#) - [Table on page 16](#) for wait states requirements.
2. Refer to [Synchronous/Burst Read on page 55](#) timing diagrams
3. Configuration Register is in the default state upon power-up or hardware reset.

Reading the Configuration Table

The configuration register can be read with a four-cycle command sequence. See [Table on page 72](#) for sequence details. A software reset command is required after reading or setting the configuration register to set the device into the correct state.

7.5 Autoselect

The Autoselect is used for manufacturer ID, Device identification, and sector protection information. This mode is primarily intended for programming equipment to automatically match a device with its corresponding programming algorithm. The Autoselect codes

can also be accessed in-system. When verifying sector protection, the sector address must appear on the appropriate highest order address bits (see [Table](#)). The remaining address bits are don't care. The most significant four bits of the address during the third write cycle selects the bank from which the Autoselect codes are read by the host. All other banks can be accessed normally for data read without exiting the Autoselect mode.

- To access the Autoselect codes, the host system must issue the Autoselect command.
- The Autoselect command sequence may be written to an address within a bank that is either in the read or erase-suspend-read mode.
- The Autoselect command may not be written while the device is actively programming or erasing. Autoselect does not support simultaneous operations or burst mode.
- The system must write the reset command to return to the read mode (or erase-suspend-read mode if the bank was previously in Erase Suspend).

See [Table](#) on page 72 for command sequence details.

Autoselect Addresses

Description	Address	Read Data
Manufacturer ID	(BA) + 00h	0001h
Device ID, Word 1	(BA) + 01h	227Eh
Device ID, Word 2	(BA) + 0Eh	2230 (WS256N) 2231 (WS128N)
Device ID, Word 3	(BA) + 0Fh	2200
Indicator Bits (See Note)	(BA) + 03h	DQ15 - DQ8 = Reserved DQ7 (Factory Lock Bit): 1 = Locked, 0 = Not Locked DQ6 (Customer Lock Bit): 1 = Locked, 0 = Not Locked DQ5 (Handshake Bit): 1 = Reserved, 0 = Standard Handshake DQ4, DQ3 (WP# Protection Boot Code): 00 = WP# Protects both Top Boot and Bottom Boot Sectors. 01, 10, 11 = Reserved DQ2 = Reserved DQ1 (DYB Power up State [Lock Register DQ4]): 1 = Unlocked (user option), 0 = Locked (default) DQ0 (PPB Eraseability [Lock Register DQ3]): 1 = Erase allowed, 0 = Erase disabled
Sector Block Lock/Unlock	(SA) + 02h	0001h = Locked, 0000h = Unlocked

Note:
For WS128N and WS064, DQ1 and DQ0 are reserved.

Software Functions and Sample Code

Autoselect Entry

(LLD Function = lld_AutoselectEntryCmd)

Cycle	Operation	Byte Address	Word Address	Data
Unlock Cycle 1	Write	BAxAAAh	BAx555h	0x00AAh
Unlock Cycle 2	Write	BAx555h	BAx2AAh	0x0055h
Autoselect Command	Write	BAxAAAh	BAx555h	0x0090h

Autoselect Exit

(LLD Function = lld_AutoselectExitCmd)

Cycle	Operation	Byte Address	Word Address	Data
Unlock Cycle 1	Write	base + XXXh	base + XXXh	0x00F0h

Notes:

1. Any offset within the device works.
2. BA = Bank Address. The bank address is required.
3. base = base address.

The following is a C source code example of using the autoselect function to read the manufacturer ID. Refer to the *Spansion Low Level Driver User's Guide* (available on www.amd.com and www.fujitsu.com) for general information on Spansion Flash memory software development guidelines.

```

/* Here is an example of Autoselect mode (getting manufacturer ID) */
/* Define UINT16 example: typedef unsigned short UINT16; */

UINT16 manuf_id;

/* Auto Select Entry */

*( (UINT16 *)bank_addr + 0x555 ) = 0x00AA; /* write unlock cycle 1 */
*( (UINT16 *)bank_addr + 0x2AA ) = 0x0055; /* write unlock cycle 2 */
*( (UINT16 *)bank_addr + 0x555 ) = 0x0090; /* write autoselect command */

/* multiple reads can be performed after entry */

manuf_id = *( (UINT16 *)bank_addr + 0x000 ); /* read manuf. id */

/* Autoselect exit */

*( (UINT16 *)base_addr + 0x000 ) = 0x00F0; /* exit autoselect (write reset command) */

```

7.6 Program/Erase Operations

These devices are capable of several modes of programming and or erase operations which are described in detail in the following sections. However, prior to any programming and or erase operation, devices must be setup appropriately as outlined in the configuration register ([Table on page 18](#)).

For any synchronous write operations, including writing command sequences, the system must drive AVD# and CE# to V_{IL} , and OE# to V_{IH} when providing an address to the device, and drive WE# and CE# to V_{IL} , and OE# to V_{IH} when writing commands or programming data.

During asynchronous write operations, addresses are latched on the rising edge of AVD# while data is latched on the 1st rising edge of WE# or CE#, whichever comes first.

Note the following:

- When the Embedded Program algorithm is complete, the device returns to the read mode.
- The system can determine the status of the program operation by using DQ7 or DQ6. Refer to [Write Operation Status on page 34](#) for information on these status bits.
- A “0” cannot be programmed back to a “1.” Attempting to do so causes the device to set DQ5 = 1 (halting any further operation and requiring a reset command). A succeeding read shows that the data is still “0.” Only erase operations can convert a “0” to a “1.”
- Any commands written to the device during the Embedded Program Algorithm are ignored except the Program Suspend command.
- Secured Silicon Sector, Autoselect, and CFI functions are unavailable when a program operation is in progress.
- A hardware reset immediately terminates the program operation and the program command sequence should be reinitiated once the device has returned to the read mode, to ensure data integrity.
- Programming is allowed in any sequence and across sector boundaries for single word programming operation.

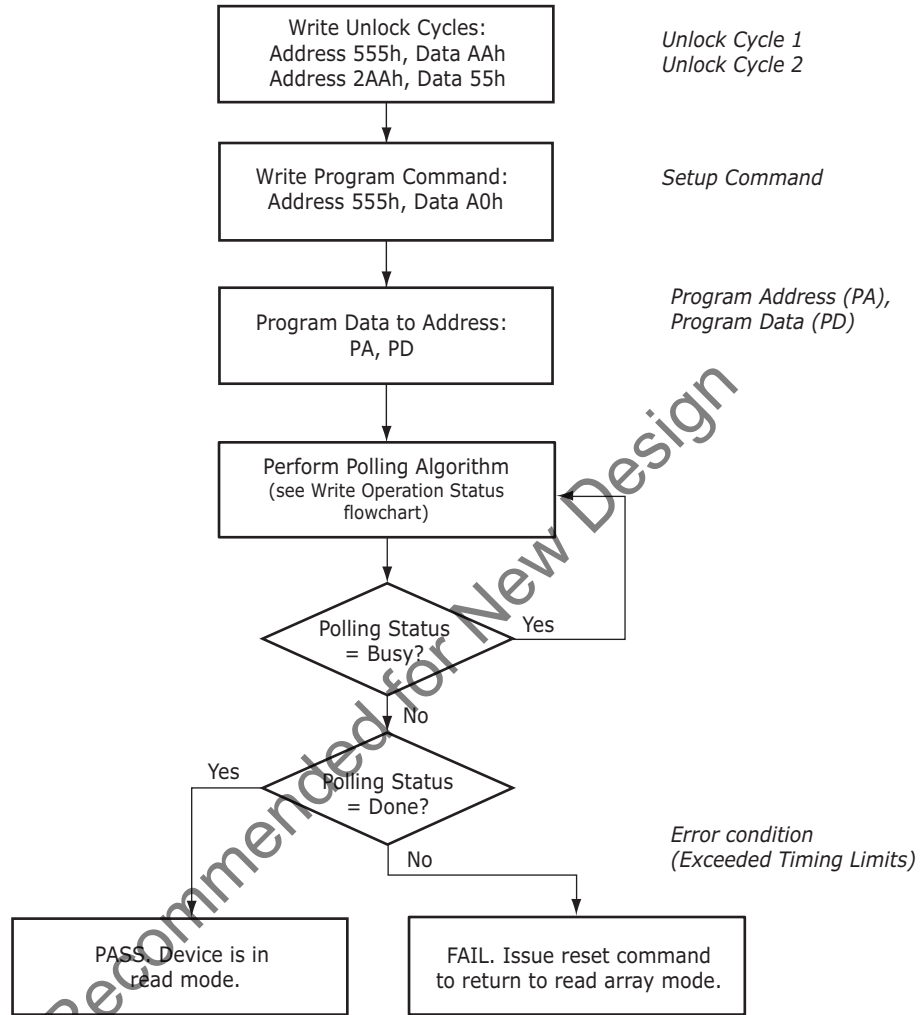
7.6.1 Single Word Programming

Single word programming mode is the simplest method of programming. In this mode, four Flash command write cycles are used to program an individual Flash address. The data for this programming operation could be 8-, 16- or 32-bits wide. While this method is supported by all Spansion devices, in general it is not recommended for devices that support Write Buffer Programming. See [Table on page 72](#) for the required bus cycles and [Figure 7.3 on page 22](#) for the flowchart.

When the Embedded Program algorithm is complete, the device then returns to the read mode and addresses are no longer latched. The system can determine the status of the program operation by using DQ7 or DQ6. Refer to [Write Operation Status on page 34](#) for information on these status bits.

- During programming, any command (except the Suspend Program command) is ignored.
- The Secured Silicon Sector, Autoselect, and CFI functions are unavailable when a program operation is in progress.
- A hardware reset immediately terminates the program operation. The program command sequence should be reinitiated once the device has returned to the read mode, to ensure data integrity.

Figure 7.3 Single Word Program



Not Recommended for New Design

Software Function and Sample Code

Single Word Program

(LLD Function = lld_ProgramCmd)

Cycle	Operation	Byte Address	Word Address	Data
Unlock Cycle 1	Write	Base + AAAh	Base + 555h	00AAh
Unlock Cycle 2	Write	Base + 554h	Base + 2AAh	0055h
Program Setup	Write	Base + AAAh	Base + 555h	00A0h
Program	Write	Word Address	Word Address	Data Word

Note:

Base = Base Address.

The following is a C source code example of using the single word program function. Refer to the *Spansion Low Level Driver User's Guide* (available on www.amd.com and www.fujitsu.com) for general information on Spansion Flash memory software development guidelines.

```

/* Example: Program Command */
*( (UINT16 *)base_addr + 0x555 ) = 0x00AA; /* write unlock cycle 1 */
*( (UINT16 *)base_addr + 0x2AA ) = 0x0055; /* write unlock cycle 2 */
*( (UINT16 *)base_addr + 0x555 ) = 0x00A0; /* write program setup command */
*( (UINT16 *)pa ) = data; /* write data to be programmed */
/* Poll for program completion */

```

7.6.2 Write Buffer Programming

Write Buffer Programming allows the system to write a maximum of 32 words in one programming operation. This results in a faster effective word programming time than the standard "word" programming algorithms. The Write Buffer Programming command sequence is initiated by first writing two unlock cycles. This is followed by a third write cycle containing the Write Buffer Load command written at the Sector Address in which programming occurs. At this point, the system writes the number of "word locations minus 1" that are loaded into the page buffer at the Sector Address in which programming occurs. This tells the device how many write buffer addresses are loaded with data and therefore when to expect the "Program Buffer to Flash" confirm command. The number of locations to program cannot exceed the size of the write buffer or the operation aborts. (Number loaded = the number of locations to program minus 1. For example, if the system programs 6 address locations, then 05h should be written to the device.)

The system then writes the starting address/data combination. This starting address is the first address/data pair to be programmed, and selects the "write-buffer-page" address. All subsequent address/data pairs must fall within the elected-write-buffer-page.

The "write-buffer-page" is selected by using the addresses $A_{MAX} - A5$.

The "write-buffer-page" addresses must be the same for all address/data pairs loaded into the write buffer. (This means Write Buffer Programming cannot be performed across multiple "write-buffer-pages." This also means that Write Buffer Programming cannot be performed across multiple sectors. If the system attempts to load programming data outside of the selected "write-buffer-page", the operation ABORTs.)

After writing the Starting Address/Data pair, the system then writes the remaining address/data pairs into the write buffer.

Note that if a Write Buffer address location is loaded multiple times, the "address/data pair" counter is decremented for every data load operation. Also, the last data loaded at a location before the "Program Buffer to Flash" confirm command is programmed into the device. It is the software's responsibility to comprehend ramifications of loading a write-buffer location more than once. The counter decrements for each data load operation, NOT for each unique write-buffer-address location. Once the specified number of write buffer locations have been loaded, the system must then write the "Program Buffer to Flash" command at the Sector Address. Any other address/data write combinations abort the Write Buffer Programming operation. The device goes "busy." The Data Bar polling techniques should be used while monitoring the last address location loaded into the write buffer. This eliminates the need to store an address in memory because the system can load the last address location, issue the program confirm command at the last loaded address location, and then data bar poll at that same address. DQ7, DQ6, DQ5, DQ2, and DQ1 should be monitored to determine the device status during Write Buffer Programming.

The write-buffer "embedded" programming operation can be suspended using the standard suspend/resume commands. Upon successful completion of the Write Buffer Programming operation, the device returns to READ mode.

The Write Buffer Programming Sequence is ABORTED under any of the following conditions:

- Load a value that is greater than the page buffer size during the “Number of Locations to Program” step.
- Write to an address in a sector different than the one specified during the Write-Buffer-Load command.
- Write an Address/Data pair to a different write-buffer-page than the one selected by the “Starting Address” during the “write buffer data loading” stage of the operation.
- Write data other than the “Confirm Command” after the specified number of “data load” cycles.

The ABORT condition is indicated by DQ1 = 1, DQ7 = DATA# (for the “last address location loaded”), DQ6 = TOGGLE, DQ5 = 0. This indicates that the Write Buffer Programming Operation was ABORTED. A “Write-to-Buffer-Abort reset” command sequence is required when using the write buffer Programming features in Unlock Bypass mode. Note that the Secured Silicon sector, autoselect, and CFI functions are unavailable when a program operation is in progress.

Write buffer programming is allowed in any sequence of memory (or address) locations. These flash devices are capable of handling multiple write buffer programming operations on the same write buffer address range without intervening erases.

Use of the write buffer is strongly recommended for programming when multiple words are to be programmed. Write buffer programming is approximately eight times faster than programming one word at a time.

Not Recommended for New Designs

Software Functions and Sample Code

Write Buffer Program

(LLD Functions Used = Ild_WriteToBufferCmd, Ild_ProgramBufferToFlashCmd)

Cycle	Description	Operation	Byte Address	Word Address	Data
1	Unlock	Write	Base + AAAh	Base + 555h	00AAh
2	Unlock	Write	Base + 554h	Base + 2AAh	0055h
3	Write Buffer Load Command	Write	Program Address		0025h
4	Write Word Count	Write	Program Address		Word Count (N-1)h
Number of words (N) loaded into the write buffer can be from 1 to 32 words.					
5 to 36	Load Buffer Word N	Write	Program Address, Word N		Word N
Last	Write Buffer to Flash	Write	Sector Address		0029h

Notes:

1. Base = Base Address.
2. Last = Last cycle of write buffer program operation; depending on number of words written, the total number of cycles may be from 6 to 37.
3. For maximum efficiency, it is recommended that the write buffer be loaded with the highest number of words (N words) possible.

The following is a C source code example of using the write buffer program function. Refer to the *Spansion Low Level Driver User's Guide* (available on www.amd.com and www.fujitsu.com) for general information on Spansion Flash memory software development guidelines.

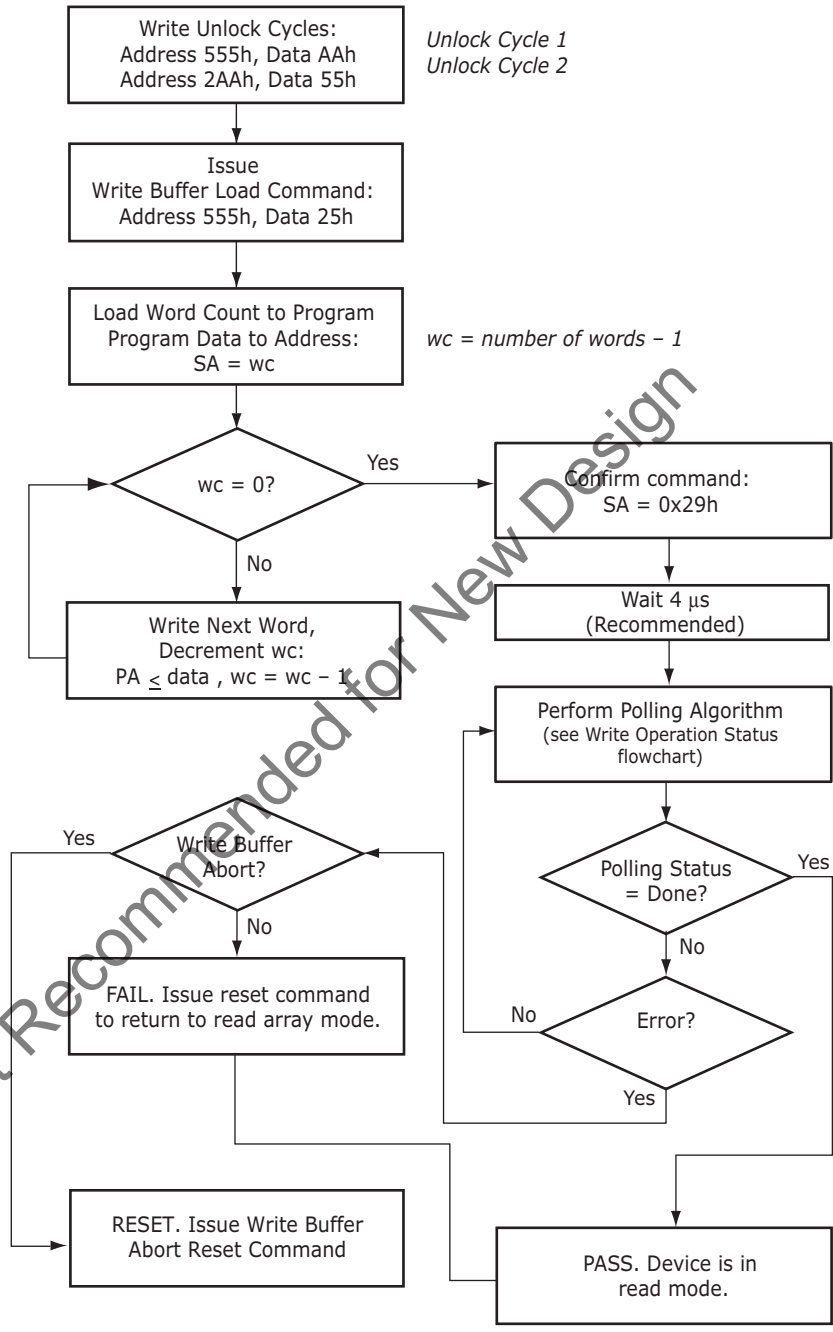
```

/* Example: Write Buffer Programming Command */
/* NOTES: Write buffer programming limited to 16 words. */
/* All addresses to be written to the flash in one operation must be within the same flash page. A flash page begins at addresses evenly divisible by 0x20. */
UINT16 *src = source_of_data; /* address of source data */
UINT16 *dst = destination_of_data; /* flash destination address */
UINT16 wc = words_to_program - 1; /* word count (minus 1) */
*( (UINT16 *)base_addr + 0x555 ) = 0x00AA; /* write unlock cycle 1 */
*( (UINT16 *)base_addr + 0x2AA ) = 0x0055; /* write unlock cycle 2 */
*( (UINT16 *)sector_address ) = 0x0025; /* write write buffer load command */
*( (UINT16 *)sector_address ) = wc; /* write word count (minus 1) */
loop:
*dst = *src; /* ALL dst MUST BE SAME PAGE */ /* write source data to destination */
dst++; /* increment destination pointer */
src++; /* increment source pointer */
if (wc == 0) goto confirm /* done when word count equals zero */
wc--; /* decrement word count */
goto loop; /* do it again */
confirm:
*( (UINT16 *)sector_address ) = 0x0029; /* write confirm command */
/* poll for completion */

/* Example: Write Buffer Abort Reset */
*( (UINT16 *)addr + 0x555 ) = 0x00AA; /* write unlock cycle 1 */
*( (UINT16 *)addr + 0x2AA ) = 0x0055; /* write unlock cycle 2 */
*( (UINT16 *)addr + 0x555 ) = 0x00F0; /* write buffer abort reset */

```

Figure 7.4 Write Buffer Programming Operation



Not Recommended for New Design

7.6.3 Sector Erase

The sector erase function erases one or more sectors in the memory array. (See [Table](#) on page 72, and [Figure 7.5](#) on page 28.) The device does not require the system to preprogram prior to erase. The Embedded Erase algorithm automatically programs and verifies the entire memory for an all zero data pattern prior to electrical erase. After a successful sector erase, all locations within the erased sector contain FFFFh. The system is not required to provide any controls or timings during these operations.

After the command sequence is written, a sector erase time-out of no less than t_{SEA} occurs. During the time-out period, additional sector addresses and sector erase commands may be written. Loading the sector erase buffer may be done in any sequence, and the number of sectors may be from one sector to all sectors. The time between these additional cycles must be less than t_{SEA} . Any sector erase address and command following the exceeded time-out (t_{SEA}) may or may not be accepted. Any command other than Sector Erase or Erase Suspend during the time-out period resets that bank to the read mode. The system can monitor DQ3 to determine if the sector erase timer has timed out (See [DQ3: Sector Erase Timeout State Indicator](#) on page 37.) The time-out begins from the rising edge of the final WE# pulse in the command sequence.

When the Embedded Erase algorithm is complete, the bank returns to reading array data and addresses are no longer latched. Note that while the Embedded Erase operation is in progress, the system can read data from the non-erasing banks. The system can determine the status of the erase operation by reading DQ7 or DQ6/DQ2 in the erasing bank. Refer to [Write Operation Status](#) on page 34 for information on these status bits.

Once the sector erase operation has begun, only the Erase Suspend command is valid. All other commands are ignored. However, note that a hardware reset immediately terminates the erase operation. If that occurs, the sector erase command sequence should be reinitiated once that bank has returned to reading array data, to ensure data integrity.

[Figure 7.5](#) on page 28 illustrates the algorithm for the erase operation. Refer to [Erase and Programming Performance](#) on page 71 for parameters and timing diagrams.

Software Functions and Sample Code

Sector Erase

(LLD Function = `lld_SectorEraseCmd`)

Cycle	Description	Operation	Byte Address	Word Address	Data
1	Unlock	Write	Base + AAAh	Base + 555h	00AAh
2	Unlock	Write	Base + 554h	Base + 2AAh	0055h
3	Setup Command	Write	Base + AAAh	Base + 555h	0080h
4	Unlock	Write	Base + AAAh	Base + 555h	00AAh
5	Unlock	Write	Base + 554h	Base + 2AAh	0055h
6	Sector Erase Command	Write	Sector Address	Sector Address	0030h
Unlimited additional sectors may be selected for erase; command(s) must be written within t_{SEA}.					

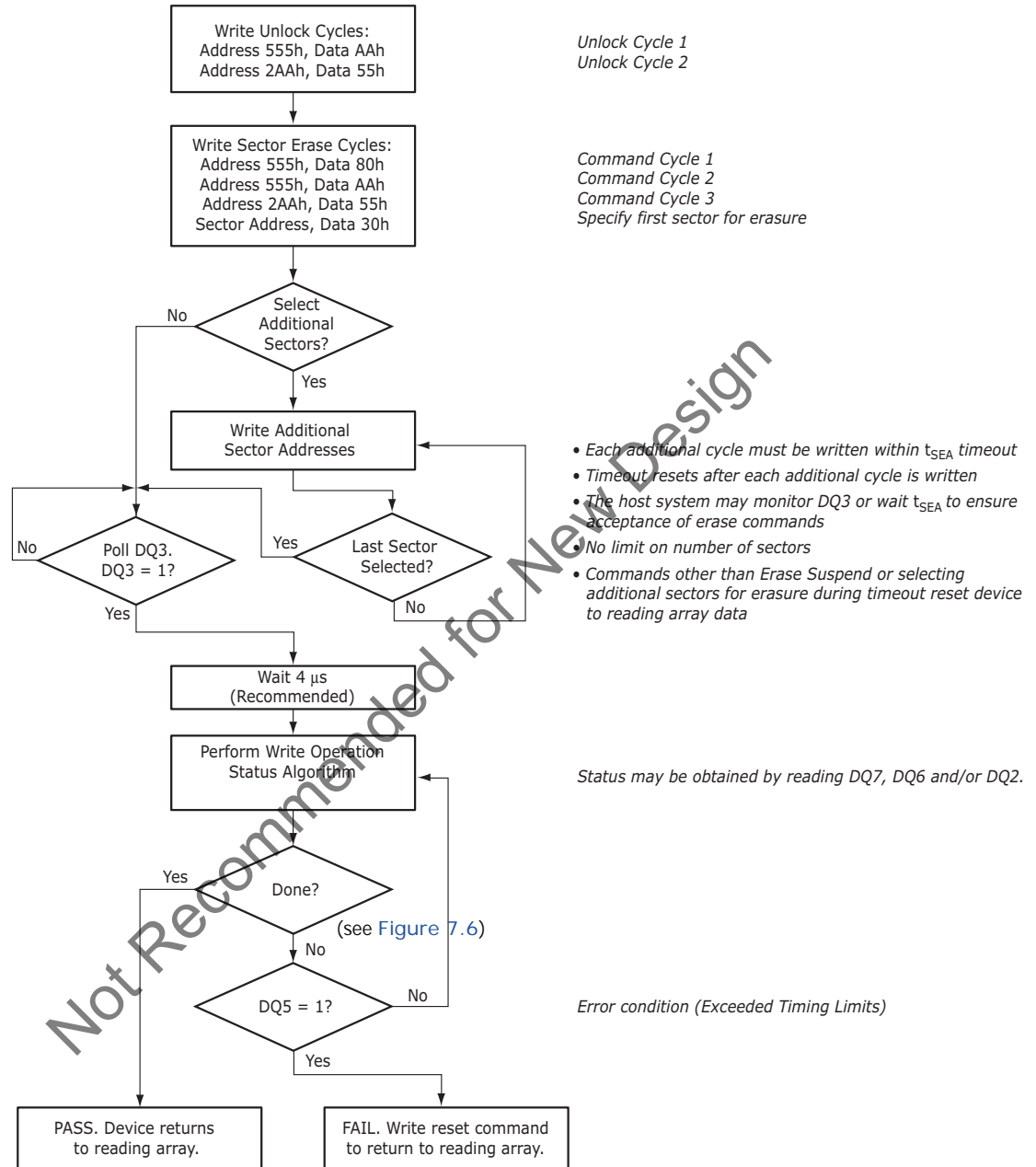
The following is a C source code example of using the sector erase function. Refer to the *Spansion Low Level Driver User's Guide* (available on www.amd.com and www.fujitsu.com) for general information on Spansion Flash memory software development guidelines.

```

/* Example: Sector Erase Command */
* ( (UINT16 *)base_addr + 0x555 ) = 0x00AA; /* write unlock cycle 1 */
* ( (UINT16 *)base_addr + 0x2AA ) = 0x0055; /* write unlock cycle 2 */
* ( (UINT16 *)base_addr + 0x555 ) = 0x0080; /* write setup command */
* ( (UINT16 *)base_addr + 0x555 ) = 0x00AA; /* write additional unlock cycle 1 */
* ( (UINT16 *)base_addr + 0x2AA ) = 0x0055; /* write additional unlock cycle 2 */
* ( (UINT16 *)sector_address ) = 0x0030; /* write sector erase command */

```

Figure 7.5 Sector Erase Operation



Notes:

1. See Table on page 72 for erase command sequence.
2. See DQ3: Sector Erase Timeout State Indicator on page 37 for information on the sector erase timeout.

7.6.4 Chip Erase Command Sequence

Chip erase is a six-bus cycle operation as indicated by [Table on page 72](#). These commands invoke the Embedded Erase algorithm, which does not require the system to preprogram prior to erase. The Embedded Erase algorithm automatically preprograms and verifies the entire memory for an all zero data pattern prior to electrical erase. After a successful chip erase, all locations of the chip contain FFFFh. The system is not required to provide any controls or timings during these operations. The [Appendix on page 72](#) shows the address and data requirements for the chip erase command sequence.

When the Embedded Erase algorithm is complete, that bank returns to the read mode and addresses are no longer latched. The system can determine the status of the erase operation by using DQ7 or DQ6/DQ2. Refer to [Write Operation Status on page 34](#) for information on these status bits.

Any commands written during the chip erase operation are ignored. However, note that a hardware reset immediately terminates the erase operation. If that occurs, the chip erase command sequence should be reinitiated once that bank has returned to reading array data, to ensure data integrity.

Software Functions and Sample Code

Chip Erase

(LLD Function = `lld_ChipEraseCmd`)

Cycle	Description	Operation	Byte Address	Word Address	Data
1	Unlock	Write	Base + AAAh	Base + 555h	00AAh
2	Unlock	Write	Base + 554h	Base + 2AAh	0055h
3	Setup Command	Write	Base + AAAh	Base + 555h	0080h
4	Unlock	Write	Base + AAAh	Base + 555h	00AAh
5	Unlock	Write	Base + 554h	Base + 2AAh	0055h
6	Chip Erase Command	Write	Base + AAAh	Base + 555h	0010h

The following is a C source code example of using the chip erase function. Refer to the *Spansion Low Level Driver User's Guide* (available on www.amd.com and www.fujitsu.com) for general information on Spansion Flash memory software development guidelines.

```

/* Example: Chip Erase Command */
/* Note: Cannot be suspended */
* ( (UIN16 *)base_addr + 0x555 ) = 0x00AA; /* write unlock cycle 1 */
* ( (UIN16 *)base_addr + 0x2AA ) = 0x0055; /* write unlock cycle 2 */
* ( (UIN16 *)base_addr + 0x555 ) = 0x0080; /* write setup command */
* ( (UIN16 *)base_addr + 0x555 ) = 0x00AA; /* write additional unlock cycle 1 */
* ( (UIN16 *)base_addr + 0x2AA ) = 0x0055; /* write additional unlock cycle 2 */
* ( (UIN16 *)base_addr + 0x000 ) = 0x0010; /* write chip erase command */

```

7.6.5 Erase Suspend/Erase Resume Commands

When the Erase Suspend command is written during the sector erase time-out, the device immediately terminates the time-out period and suspends the erase operation. The Erase Suspend command allows the system to interrupt a sector erase operation and then read data from, or program data to, any sector not selected for erasure. The bank address is required when writing this command. This command is valid only during the sector erase operation, including the minimum t_{SEA} time-out period during the sector erase command sequence. The Erase Suspend command is ignored if written during the chip erase operation.

When the Erase Suspend command is written after the t_{SEA} time-out period has expired and during the sector erase operation, the device requires a maximum of t_{ESL} (erase suspend latency) to suspend the erase operation. Additionally, when an Erase Suspend command is written during an active erase operation, status information is unavailable during the transition from the sector erase operation to the erase suspended state.

After the erase operation has been suspended, the bank enters the erase-suspend-read mode. The system can read data from or program data to any sector not selected for erasure. (The device “erase suspends” all sectors selected for erasure.) Reading at any address within erase-suspended sectors produces status information on DQ7-DQ0. The system can use DQ7, or DQ6, and DQ2 together, to determine if a sector is actively erasing or is erase-suspended. Refer to [Table on page 38](#) for information on these status bits.

After an erase-suspended program operation is complete, the bank returns to the erase-suspend-read mode. The system can determine the status of the program operation using the DQ7 or DQ6 status bits, just as in the standard program operation.

In the erase-suspend-read mode, the system can also issue the Autoselect command sequence. Refer to [Write Buffer Programming on page 23](#) and the “Autoselect Command Sequence” section for details.

To resume the sector erase operation, the system must write the Erase Resume command. The bank address of the erase-suspended bank is required when writing this command. Further writes of the Resume command are ignored. Another Erase Suspend command can be written after the chip has resumed erasing.

Software Functions and Sample Code

Erase Suspend

(LLD Function = `lld_EraseSuspendCmd`)

Cycle	Operation	Byte Address	Word Address	Data
1	Write	Bank Address	Bank Address	00B0h

The following is a C source code example of using the erase suspend function. Refer to the *Spansion Low Level Driver User's Guide* (available on www.amd.com and www.fujitsu.com) for general information on Spansion Flash memory software development guidelines.

```
/* Example: Erase suspend command */
*( (UINT16 *)bank_addr + 0x000 ) = 0x00B0; /* write suspend command */
```

Erase Resume

(LLD Function = `lld_EraseResumeCmd`)

Cycle	Operation	Byte Address	Word Address	Data
1	Write	Bank Address	Bank Address	0030h

The following is a C source code example of using the erase resume function. Refer to the *Spansion Low Level Driver User's Guide* (available on www.amd.com and www.fujitsu.com) for general information on Spansion Flash memory software development guidelines.

```
/* Example: Erase resume command */
*( (UINT16 *)bank_addr + 0x000 ) = 0x0030; /* write resume command */
/* The flash needs adequate time in the resume state */
```

7.6.6 Program Suspend/Program Resume Commands

The Program Suspend command allows the system to interrupt an embedded programming operation or a “Write to Buffer” programming operation so that data can read from any non-suspended sector. When the Program Suspend command is written during a programming process, the device halts the programming operation within t_{PSL} (program suspend latency) and updates the status bits. Addresses are “don’t-cares” when writing the Program Suspend command.

After the programming operation has been suspended, the system can read array data from any non-suspended sector. The Program Suspend command may also be issued during a programming operation while an erase is suspended. In this case, data may be read from any addresses not in Erase Suspend or Program Suspend. If a read is needed from the Secured Silicon Sector area, then user must use the proper command sequences to enter and exit this region.

The system may also write the Autoselect command sequence when the device is in Program Suspend mode. The device allows reading Autoselect codes in the suspended sectors, since the codes are not stored in the memory array. When the device exits the Autoselect mode, the device reverts to Program Suspend mode, and is ready for another valid operation. See [Autoselect on page 18](#) for more information.

After the Program Resume command is written, the device reverts to programming. The system can determine the status of the program operation using the DQ7 or DQ6 status bits, just as in the standard program operation. See [Write Operation Status on page 34](#) for more information.

The system must write the Program Resume command (address bits are “don’t care”) to exit the Program Suspend mode and continue the programming operation. Further writes of the Program Resume command are ignored. Another Program Suspend command can be written after the device has resumed programming.

Software Functions and Sample Code

Program Suspend

(LLD Function = `Ild_ProgramSuspendCmd`)

Cycle	Operation	Byte Address	Word Address	Data
1	Write	Bank Address	Bank Address	00B0h

The following is a C source code example of using the program suspend function. Refer to the *Spansion Low Level Driver User’s Guide* (available on www.amd.com and www.fujitsu.com) for general information on Spansion Flash memory software development guidelines.

```
/* Example: Program suspend command */
*( (UINT16 *)base_addr + 0x000 ) = 0x00B0; /* write suspend command */
```

Program Resume

(LLD Function = `Ild_ProgramResumeCmd`)

Cycle	Operation	Byte Address	Word Address	Data
1	Write	Bank Address	Bank Address	0030h

The following is a C source code example of using the program resume function. Refer to the *Spansion Low Level Driver User’s Guide* (available on www.amd.com and www.fujitsu.com) for general information on Spansion Flash memory software development guidelines.

```
/* Example: Program resume command */
*( (UINT16 *)base_addr + 0x000 ) = 0x0030; /* write resume command */
```

7.6.7 Accelerated Program/Chip Erase

Accelerated single word programming, write buffer programming, sector erase, and chip erase operations are enabled through the ACC function. This method is faster than the standard chip program and erase command sequences.

The accelerated chip program and erase functions must not be used more than 10 times per sector. In addition, accelerated chip program and erase should be performed at room temperature ($25^{\circ}\text{C} \pm 10^{\circ}\text{C}$).

If the system asserts V_{HH} on this input, the device automatically enters the aforementioned Unlock Bypass mode and uses the higher voltage on the input to reduce the time required for program and erase operations. The system can then use the Write Buffer Load command sequence provided by the Unlock Bypass mode. Note that if a “Write-to-Buffer-Abort Reset” is required while in Unlock Bypass mode, the full 3-cycle RESET command sequence must be used to reset the device. Removing V_{HH} from the ACC input, upon completion of the embedded program or erase operation, returns the device to normal operation.

- Sectors must be unlocked prior to raising ACC to V_{HH} .
- The ACC pin must not be at V_{HH} for operations other than accelerated programming and accelerated chip erase, or device damage may result.
- The ACC pin must not be left floating or unconnected; inconsistent behavior of the device may result.
- ACC locks all sector if set to V_{IL} ; ACC should be set to V_{IH} for all other conditions.

7.6.8 Unlock Bypass

The device features an Unlock Bypass mode to facilitate faster word programming. Once the device enters the Unlock Bypass mode, only two write cycles are required to program data, instead of the normal four cycles.

This mode dispenses with the initial two unlock cycles required in the standard program command sequence, resulting in faster total programming time. The [Appendix on page 72](#) shows the requirements for the unlock bypass command sequences.

During the unlock bypass mode, only the Read, Unlock Bypass Program and Unlock Bypass Reset commands are valid. To exit the unlock bypass mode, the system must issue the two-cycle unlock bypass reset command sequence. The first cycle must contain the bank address and the data 90h. The second cycle need only contain the data 00h. The bank then returns to the read mode.

Not Recommended for New Design

Software Functions and Sample Code

The following are C source code examples of using the unlock bypass entry, program, and exit functions. Refer to the *Spansion Low Level Driver User's Guide* (available soon on www.amd.com and www.fujitsu.com) for general information on Spansion Flash memory software development guidelines.

Unlock Bypass Entry

(LLD Function = `lld_UnlockBypassEntryCmd`)

Cycle	Description	Operation	Byte Address	Word Address	Data
1	Unlock	Write	Base + AAAh	Base + 555h	00AAh
2	Unlock	Write	Base + 554h	Base + 2AAh	0055h
3	Entry Command	Write	Base + AAAh	Base + 555h	0020h

```

/* Example: Unlock Bypass Entry Command */
*( (UINT16 *)bank_addr + 0x555 ) = 0x00AA; /* write unlock cycle 1 */
*( (UINT16 *)bank_addr + 0x2AA ) = 0x0055; /* write unlock cycle 2 */
*( (UINT16 *)bank_addr + 0x555 ) = 0x0020; /* write unlock bypass command */
/* At this point, programming only takes two write cycles. */
/* Once you enter Unlock Bypass Mode, do a series of like */
/* operations (programming or sector erase) and then exit */
/* Unlock Bypass Mode before beginning a different type of */
/* operations.

```

Unlock Bypass Program

(LLD Function = `lld_UnlockBypassProgramCmd`)

Cycle	Description	Operation	Byte Address	Word Address	Data
1	Program Setup Command	Write	Base + xxxh	Base + xxxh	00A0h
2	Program Command	Write	Program Address	Program Address	Program Data

```

/* Example: Unlock Bypass Program Command */
/* Do while in Unlock Bypass Entry Mode! */
*( (UINT16 *)bank_addr + 0x555 ) = 0x00A0; /* write program setup command */
*( (UINT16 *)pa ) = data; /* write data to be programmed */
/* Poll until done or error. */
/* If done and more to program, */
/* do above two cycles again.

```

Unlock Bypass Reset

(LLD Function = `lld_UnlockBypassResetCmd`)

Cycle	Description	Operation	Byte Address	Word Address	Data
1	Reset Cycle 1	Write	Base + xxxh	Base + xxxh	0090h
2	Reset Cycle 2	Write	Base + xxxh	Base + xxxh	0000h

```

/* Example: Unlock Bypass Exit Command */
*( (UINT16 *)base_addr + 0x000 ) = 0x0090;
*( (UINT16 *)base_addr + 0x000 ) = 0x0000;

```

7.6.9 Write Operation Status

The device provides several bits to determine the status of a program or erase operation. The following subsections describe the function of DQ1, DQ2, DQ3, DQ5, DQ6, and DQ7.

DQ7: Data# Polling

The Data# Polling bit, DQ7, indicates to the host system whether an Embedded Program or Erase algorithm is in progress or completed, or whether a bank is in Erase Suspend. Data# Polling is valid after the rising edge of the final WE# pulse in the command sequence. Note that the Data# Polling is valid only for the last word being programmed in the write-buffer-page during Write Buffer Programming. Reading Data# Polling status on any word other than the last word to be programmed in the write-buffer-page returns false status information.

During the Embedded Program algorithm, the device outputs on DQ7 the complement of the datum programmed to DQ7. This DQ7 status also applies to programming during Erase Suspend. When the Embedded Program algorithm is complete, the device outputs the datum programmed to DQ7. The system must provide the program address to read valid status information on DQ7. If a program address falls within a protected sector, Data# polling on DQ7 is active for approximately t_{PSP} , then that bank returns to the read mode.

During the Embedded Erase Algorithm, Data# polling produces a “0” on DQ7. When the Embedded Erase algorithm is complete, or if the bank enters the Erase Suspend mode, Data# Polling produces a “1” on DQ7. The system must provide an address within any of the sectors selected for erasure to read valid status information on DQ7.

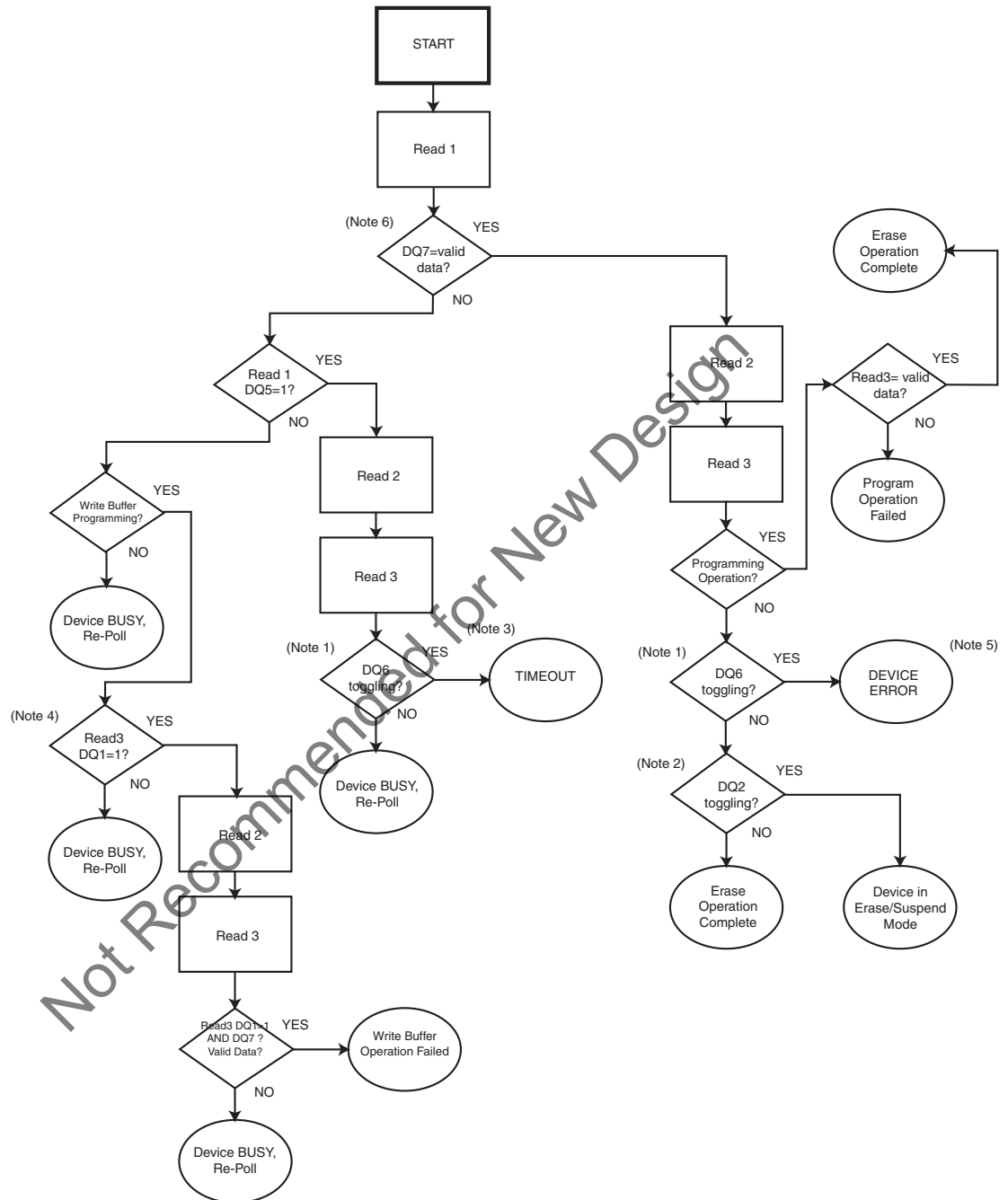
After an erase command sequence is written, if all sectors selected for erasing are protected, Data# Polling on DQ7 is active for approximately t_{ASP} , then the bank returns to the read mode. If not all selected sectors are protected, the Embedded Erase algorithm erases the unprotected sectors, and ignores the selected sectors that are protected. However, if the system reads DQ7 at an address within a protected sector, the status may not be valid.

Just prior to the completion of an Embedded Program or Erase operation, DQ7 may change asynchronously with DQ6-DQ0 while Output Enable (OE#) is asserted low. That is, the device may change from providing status information to valid data on DQ7. Depending on when the system samples the DQ7 output, it may read the status or valid data. Even if the device has completed the program or erase operation and DQ7 has valid data, the data outputs on DQ6-DQ0 may be still invalid. Valid data on DQ7-DQ0 appears on successive read cycles.

See the following for more information: [Table on page 35](#), shows the outputs for Data# Polling on DQ7. [Figure 7.6 on page 35](#), shows the Data# Polling algorithm; and [Figure 11.18 on page 64](#), shows the Data# Polling timing diagram.

Not Recommended for New Design

Figure 7.6 Write Operation Status Flowchart



Notes:

1. DQ6 is toggling if Read2 DQ6 does not equal Read3 DQ6.
2. DQ2 is toggling if Read2 DQ2 does not equal Read3 DQ2.
3. May be due to an attempt to program a 0 to 1. Use the RESET command to exit operation.
4. Write buffer error if DQ1 of last read =1.
5. Invalid state, use RESET command to exit operation.
6. Valid data is the data that is intended to be programmed or all 1's for an erase operation.
7. Data polling algorithm valid for all operations except advanced sector protection.

DQ6: Toggle Bit I

Toggle Bit I on DQ6 indicates whether an Embedded Program or Erase algorithm is in progress or complete, or whether the device has entered the Erase Suspend mode. Toggle Bit I may be read at any address in the same bank, and is valid after the rising edge of the final WE# pulse in the command sequence (prior to the program or erase operation), and during the sector erase time-out.

During an Embedded Program or Erase algorithm operation, successive read cycles to any address cause DQ6 to toggle. When the operation is complete, DQ6 stops toggling.

After an erase command sequence is written, if all sectors selected for erasing are protected, DQ6 toggles for approximately t_{ASP} [all sectors protected toggle time], then returns to reading array data. If not all selected sectors are protected, the Embedded Erase algorithm erases the unprotected sectors, and ignores the selected sectors that are protected.

The system can use DQ6 and DQ2 together to determine whether a sector is actively erasing or is erase-suspended. When the device is actively erasing (that is, the Embedded Erase algorithm is in progress), DQ6 toggles. When the device enters the Erase Suspend mode, DQ6 stops toggling. However, the system must also use DQ2 to determine which sectors are erasing or erase-suspended. Alternatively, the system can use DQ7 (see [DQ7: Data# Polling on page 34](#)).

If a program address falls within a protected sector, DQ6 toggles for approximately t_{PAP} after the program command sequence is written, then returns to reading array data.

DQ6 also toggles during the erase-suspend-program mode, and stops toggling once the Embedded Program Algorithm is complete.

See the following for additional information: [Figure 7.6 on page 35](#); [Figure 11.19 on page 64](#), and [Table on page 36](#) and [Table on page 38](#).

Toggle Bit I on DQ6 requires either OE# or CE# to be de-asserted and reasserted to show the change in state.

DQ2: Toggle Bit II

The “Toggle Bit II” on DQ2, when used with DQ6, indicates whether a particular sector is actively erasing (that is, the Embedded Erase algorithm is in progress), or whether that sector is erase-suspended. Toggle Bit II is valid after the rising edge of the final WE# pulse in the command sequence. DQ2 toggles when the system reads at addresses within those sectors that have been selected for erasure. But DQ2 cannot distinguish whether the sector is actively erasing or is erase-suspended. DQ6, by comparison, indicates whether the device is actively erasing, or is in Erase Suspend, but cannot distinguish which sectors are selected for erasure. Thus, both status bits are required for sector and mode information. Refer to [Table](#) to compare outputs for DQ2 and DQ6. See the following for additional information: [Figure 7.6 on page 35](#), the [DQ6: Toggle Bit I on page 36](#), and [Figure 11.18 on page 64](#) to [Figure 11.25 on page 66](#).

DQ6 and DQ2 Indications

If device is	and the system reads	then DQ6	and DQ2
programming,	at any address,	toggles,	does not toggle.
actively erasing,	at an address within a sector selected for erasure,	toggles,	also toggles.
	at an address within sectors <i>not</i> selected for erasure,	toggles,	does not toggle.
erase suspended,	at an address within a sector selected for erasure,	does not toggle,	toggles.
	at an address within sectors <i>not</i> selected for erasure,	returns array data,	returns array data. The system can read from any sector not selected for erasure.
programming in erase suspend	at any address,	toggles,	is not applicable.

Reading Toggle Bits DQ6/DQ2

Whenever the system initially begins reading toggle bit status, it must read DQ7–DQ0 at least twice in a row to determine whether a toggle bit is toggling. Typically, the system would note and store the value of the toggle bit after the first read. After the second read, the system would compare the new value of the toggle bit with the first. If the toggle bit is not toggling, the device has completed the program or erases operation. The system can read array data on DQ7–DQ0 on the following read cycle. However, if after the initial two read cycles, the system determines that the toggle bit is still toggling, the system also should note whether the value of DQ5 is high (see [DQ5: Exceeded Timing Limits on page 37](#)). If it is, the system should then determine again whether the toggle bit is toggling, since the toggle bit may have stopped toggling just as DQ5 went high. If the toggle bit is no longer toggling, the device has successfully completed the program or erases operation. If it is still toggling, the device did not complete the operation successfully, and the system must write the reset command to return to reading array data. The remaining scenario is that the system initially determines that the toggle bit is toggling and DQ5 has not gone high. The system may continue to monitor the toggle bit and DQ5 through successive read cycles, determining the status as described in the previous paragraph. Alternatively, it may choose to perform other system tasks. In this case, the system must start at the beginning of the algorithm when it returns to determine the status of the operation. Refer to [Figure 7.6 on page 35](#) for more details.

Note:

- When verifying the status of a write operation (embedded program/erase) of a memory bank, DQ6 and DQ2 toggle between high and low states in a series of consecutive and contiguous status read cycles. In order for this toggling behavior to be properly observed, the consecutive status bit reads must not be interleaved with read accesses to other memory banks. If it is not possible to temporarily prevent reads to other memory banks, then it is recommended to use the DQ7 status bit as the alternative method of determining the active or inactive status of the write operation.
- Data polling provides erroneous results during erase suspend operation using DQ2 or DQ6 for any address changes after CE# assertion or without AVD# pulsing low. The user is required to pulse AVD# following an address change or assert CE# after address is stable during status polling. See [Figure 11.21 on page 65](#) through [Figure 11.24 on page 66](#).

DQ5: Exceeded Timing Limits

DQ5 indicates whether the program or erase time has exceeded a specified internal pulse count limit. Under these conditions DQ5 produces a “1,” indicating that the program or erase cycle was not successfully completed. The device may output a “1” on DQ5 if the system tries to program a “1” to a location that was previously programmed to “0.” Only an erase operation can change a “0” back to a “1.” Under this condition, the device halts the operation, and when the timing limit has been exceeded, DQ5 produces a “1.” Under both these conditions, the system must write the reset command to return to the read mode (or to the erase-suspend-read mode if a bank was previously in the erase-suspend-program mode).

DQ3: Sector Erase Timeout State Indicator

After writing a sector erase command sequence, the system may read DQ3 to determine whether or not erasure has begun. (The sector erase timer does not apply to the chip erase command.) If additional sectors are selected for erasure, the entire time-out also applies after each additional sector erase command. When the time-out period is complete, DQ3 switches from a “0” to a “1.” If the time between additional sector erase commands from the system can be assumed to be less than t_{SEA} , the system need not monitor DQ3. See [Sector Erase on page 27](#) for more details.

After the sector erase command is written, the system should read the status of DQ7 (Data# Polling) or DQ6 (Toggle Bit I) to ensure that the device has accepted the command sequence, and then read DQ3. If DQ3 is “1,” the Embedded Erase algorithm has begun; all further commands (except Erase Suspend) are ignored until the erase operation is complete. If DQ3 is “0,” the device accepts additional sector erase commands. To ensure the command has been accepted, the system software should check the status of DQ3 prior to and following each sub-subsequent sector erase command. If DQ3 is high on the second status check, the last command might not have been accepted. [Table](#) shows the status of DQ3 relative to the other status bits.

DQ1: Write to Buffer Abort

DQ1 indicates whether a Write to Buffer operation was aborted. Under these conditions DQ1 produces a “1”. The system must issue the Write to Buffer Abort Reset command sequence to return the device to reading array data. See [Write Buffer Programming on page 23](#) for more details.

Write Operation Status

Status		DQ7 (Note 2)	DQ6	DQ5 (Note 1)	DQ3	DQ2 (Note 2)	DQ1 (Note 4)
Standard Mode	Embedded Program Algorithm	DQ7#	Toggle	0	N/A	No toggle	0
	Embedded Erase Algorithm	0	Toggle	0	1	Toggle	N/A
Program Suspend Mode (Note 3)	Reading within Program Suspended Sector	INVALID (Not Allowed)	INVALID (Not Allowed)	INVALID (Not Allowed)	INVALID (Not Allowed)	INVALID (Not Allowed)	INVALID (Not Allowed)
	Reading within Non-Program Suspended Sector	Data	Data	Data	Data	Data	Data
Erase Suspend Mode (Note 6)	Erase-Suspend-Read	Erase Suspended Sector	1	No toggle	0	N/A	Toggle
		Non-Erase Suspended Sector	Data	Data	Data	Data	Data
	Erase-Suspend-Program	DQ7#	Toggle	0	N/A	N/A	N/A
Write to Buffer (Note 5)	BUSY State	DQ7#	Toggle	0	N/A	N/A	0
	Exceeded Timing Limits	DQ7#	Toggle	1	N/A	N/A	0
	ABORT State	DQ7#	Toggle	0	N/A	N/A	1

Notes:

- DQ5 switches to ‘1’ when an Embedded Program or Embedded Erase operation has exceeded the maximum timing limits. Refer to [DQ5: Exceeded Timing Limits on page 37](#) for more information.
- DQ7 and DQ2 require a valid address when reading status information. Refer to the appropriate subsection for further details.
- Data are invalid for addresses in a Program Suspended sector.
- DQ1 indicates the Write to Buffer ABORT status during Write Buffer Programming operations.
- The data-bar polling algorithm should be used for Write Buffer Programming operations. Note that DQ7# during Write Buffer Programming indicates the data-bar for DQ7 data for the **LAST LOADED WRITE-BUFFER ADDRESS** location.
- For any address changes after CE# assertion, re-assertion of CE# might be required after the addresses become stable for data polling during the erase suspend operation using DQ2/DQ6.

7.7 Simultaneous Read/Write

The simultaneous read/write feature allows the host system to read data from one bank of memory while programming or erasing another bank of memory. An erase operation may also be suspended to read from or program another location within the same bank (except the sector being erased). [Figure 11.29 on page 70](#) shows how read and write cycles may be initiated for simultaneous operation with zero latency. Refer to [DC Characteristics \(CMOS Compatible\) on page 54](#) for read-while-program and read-while-erase current specification.

7.8 Writing Commands/Command Sequences

When the device is configured for Asynchronous read, only Asynchronous write operations are allowed, and CLK is ignored. When in the Synchronous read mode configuration, the device is able to perform both Asynchronous and Synchronous write operations. CLK and AVD# induced address latches are supported in the Synchronous programming mode. During a synchronous write operation, to write a command or command sequence (which includes programming data to the device and erasing sectors of memory), the system must drive AVD# and CE# to V_{IL}, and OE# to V_{IH} when providing an address to the device, and drive WE# and CE# to V_{IL}, and OE# to V_{IH} when writing commands or data. During an asynchronous write operation, the system must drive CE# and WE# to V_{IL} and OE# to V_{IH} when providing an address, command, and data. Addresses are latched on the last falling edge of WE# or CE#, while data is latched on the 1st rising edge of WE# or CE#. An erase operation can erase one sector, multiple sectors, or the entire device. [Table on page 10](#) and [Table on page 11](#) indicate the address space that each sector occupies. The device address space is divided into sixteen banks: Banks 1 through 14 contain only 64 Kword sectors, while Banks 0 and 15 contain both 16 Kword boot sectors in addition to 64 Kword sectors. A “bank address” is the set of address bits required to uniquely select a bank. Similarly, a “sector address” is the address bits required to uniquely select a sector. I_{CC2} in [DC Characteristics \(CMOS Compatible\)](#)

on page 54 represents the active current specification for the write mode. “AC Characteristics-Synchronous” and “AC Characteristics-Asynchronous” contain timing specification tables and timing diagrams for write operations.

7.9 Handshaking

The handshaking feature allows the host system to detect when data is ready to be read by simply monitoring the RDY (Ready) pin, which is a dedicated output and controlled by CE#.

When the device is configured to operate in synchronous mode, and OE# is low (active), the initial word of burst data becomes available after either the falling or rising edge of the RDY pin (depending on the setting for bit 10 in the Configuration Register). It is recommended that the host system set CR13–CR11 in the Configuration Register to the appropriate number of wait states to ensure optimal burst mode operation (see Table on page 18).

Bit 8 in the Configuration Register allows the host to specify whether RDY is active at the same time that data is ready, or one cycle before data is ready.

7.10 Hardware Reset

The RESET# input provides a hardware method of resetting the device to reading array data. When RESET# is driven low for at least a period of t_{RP} , the device immediately terminates any operation in progress, tristates all outputs, resets the configuration register, and ignores all read/write commands for the duration of the RESET# pulse. The device also resets the internal state machine to reading array data.

To ensure data integrity the operation that was interrupted should be reinitiated once the device is ready to accept another command sequence.

When RESET# is held at V_{SS} , the device draws CMOS standby current (I_{CC4}). If RESET# is held at V_{IL} , but not at V_{SS} , the standby current is greater.

RESET# may be tied to the system reset circuitry which enables the system to read the boot-up firmware from the Flash memory upon a system reset.

See Figure 11.5 on page 53 and Figure 11.13 on page 60 for timing diagrams.

Not Recommended for New Design

7.11 Software Reset

Software reset is part of the command set (see [Table on page 72](#)) that also returns the device to array read mode and must be used for the following conditions:

- to exit Autoselect mode
- when DQ5 goes high during write status operation that indicates program or erase cycle was not successfully completed
- exit sector lock/unlock operation.
- to return to erase-suspend-read mode if the device was previously in Erase Suspend mode.
- after any aborted operations
- exiting Read Configuration Registration Mode

Software Functions and Sample Code

Reset

(LLD Function = lld_ResetCmd)

Cycle	Operation	Byte Address	Word Address	Data
Reset Command	Write	Base + xxxh	Base + xxxh	00F0h

Note:

Base = Base Address.

The following is a C source code example of using the reset function. Refer to the *Spansion Low Level Driver User's Guide* (available on www.amd.com and www.fujitsu.com) for general information on Spansion Flash memory software development guidelines.

```
/* Example: Reset (software reset of Flash state machine) */
*( (UINT16 *)base_addr + 0x000 ) = 0x00F0;
```

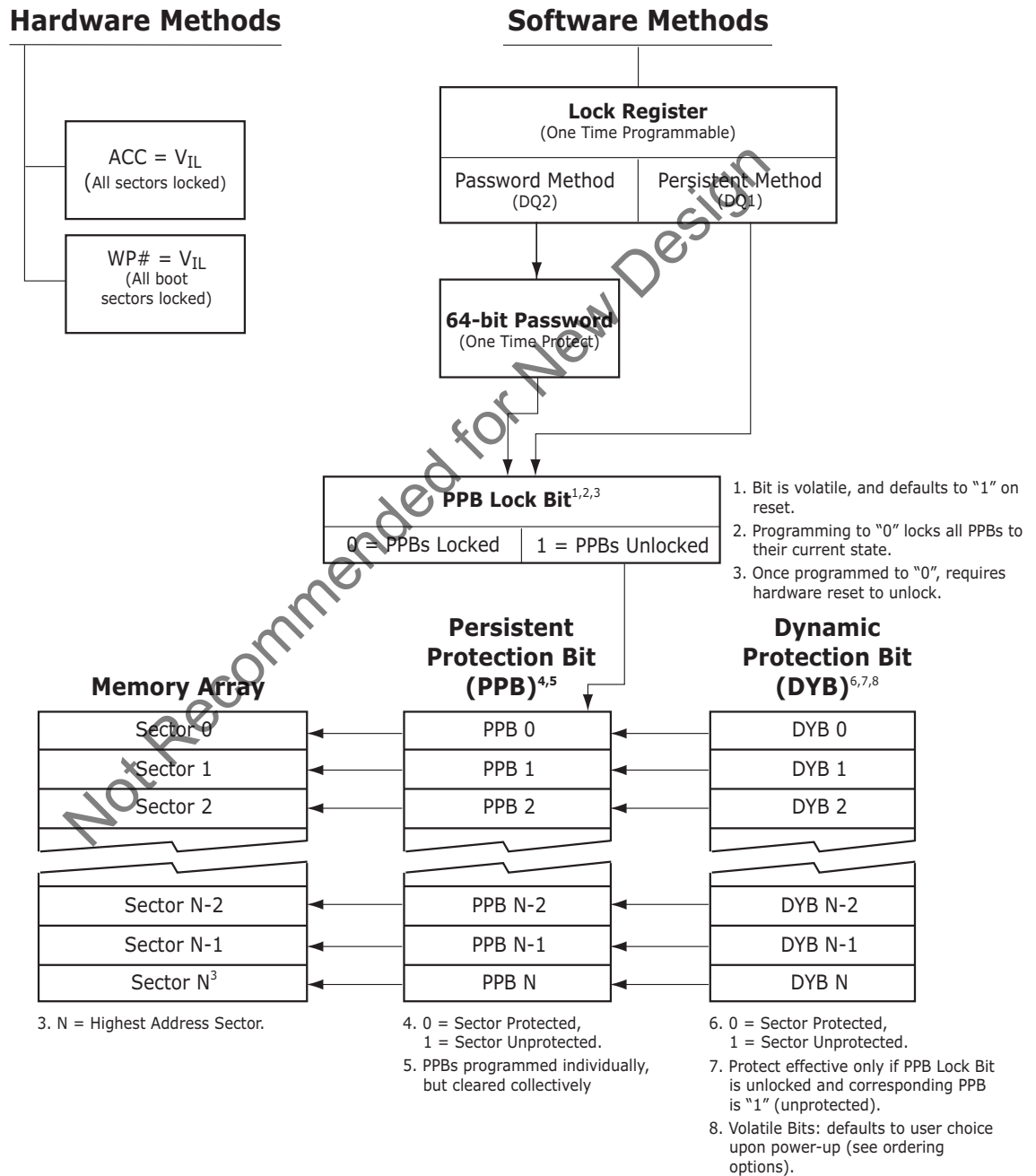
The following are additional points to consider when using the reset command:

- This command resets the banks to the read and address bits are ignored.
- Reset commands are ignored once erasure has begun until the operation is complete.
- Once programming begins, the device ignores reset commands until the operation is complete
- The reset command may be written between the cycles in a program command sequence before programming begins (prior to the third cycle). This resets the bank to which the system was writing to the read mode.
- If the program command sequence is written to a bank that is in the Erase Suspend mode, writing the reset command returns that bank to the erase-suspend-read mode.
- The reset command may be also written during an Autoselect command sequence.
- If a bank has entered the Autoselect mode while in the Erase Suspend mode, writing the reset command returns that bank to the erase-suspend-read mode.
- If DQ1 goes high during a Write Buffer Programming operation, the system must write the "Write to Buffer Abort Reset" command sequence to RESET the device to reading array data. The standard RESET command does not work during this condition.
- To exit the unlock bypass mode, the system must issue a two-cycle unlock bypass reset command sequence [see command table for details].

8. Advanced Sector Protection/Unprotection

The Advanced Sector Protection/Unprotection feature disables or enables programming or erase operations in any or all sectors and can be implemented through software and/or hardware methods, which are independent of each other. This section describes the various methods of protecting data stored in the memory array. An overview of these methods is shown in [Figure 8.1 on page 41](#).

Figure 8.1 Advanced Sector Protection/Unprotection



8.1 Lock Register

As shipped from the factory, all devices default to the persistent mode when power is applied, and all sectors are unprotected, unless otherwise chosen through the DYB ordering option (see [Ordering Information on page 3](#)). The device programmer or host system must then choose which sector protection method to use. Programming (setting to “0”) any one of the following two one-time programmable, non-volatile bits locks the part permanently in that mode:

- Lock Register Persistent Protection Mode Lock Bit (DQ1)
- Lock Register Password Protection Mode Lock Bit (DQ2)

Lock Register

Device	DQ15-05	DQ4	DQ3	DQ2	DQ1	DQ0
S29WS256N	1	1	1	Password Protection Mode Lock Bit	Persistent Protection Mode Lock Bit	Customer Secure Silicon Sector Protection Bit
S29WS128N	Undefined	DYB Lock Boot Bit 0 = sectors power up protected 1 = sectors power up unprotected	PPB One-Time Programmable Bit 0 = All PPB erase command disabled 1 = All PPB Erase command enabled	Password Protection Mode Lock Bit	Persistent Protection Mode Lock Bit	Secure Silicon Sector Protection Bit

For programming lock register bits refer to [Figure 12.1 on page 73](#).

Notes:

1. If the password mode is chosen, the password must be programmed before setting the corresponding lock register bit.
2. After the Lock Register Bits Command Set Entry command sequence is written, reads and writes for Bank 0 are disabled, while reads from other banks are allowed until exiting this mode.
3. If both lock bits are selected to be programmed (to zeros) at the same time, the operation aborts.
4. Once the Password Mode Lock Bit is programmed, the Persistent Mode Lock Bit is permanently disabled, and no changes to the protection scheme are allowed. Similarly, if the Persistent Mode Lock Bit is programmed, the Password Mode is permanently disabled.
5. During erase/program suspend, ASP entry commands are not allowed.
6. When the device lock register is programmed (PPB mode lock bit is programmed, password mode lock bit is programmed, or the Secured Silicon Sector lock bit is programmed) all DYBs revert to the power-on default state.
7. Lock register programming operation:
 - A. Data Polling can be done immediately after the lock register programming command sequence (no delay required). Note that status polling can be done only in bank 0 and the recommended 4- μ s delay is for backward compatibility and is not required. This recommendation will be noted as such in the next revision of the data sheet.
 - B. Reads from other banks (simultaneous operation) are not allowed during lock register programming. This restriction applies to both synchronous and asynchronous read operations.
 - C. The above clarifications are true for programming any bits of the Lock Register.

After selecting a sector protection method, each sector can operate in any of the following three states:

1. **Constantly locked.** The selected sectors are protected and can not be reprogrammed unless PPB lock bit is cleared via a password, hardware reset, or power cycle.
2. **Dynamically locked.** The selected sectors are protected and can be altered via software commands.
3. **Unlocked.** The sectors are unprotected and can be erased and/or programmed.

These states are controlled by the bit types described in [Section 8.2 on page 43](#) to [Section 8.6 on page 46](#).

8.2 Persistent Protection Bits

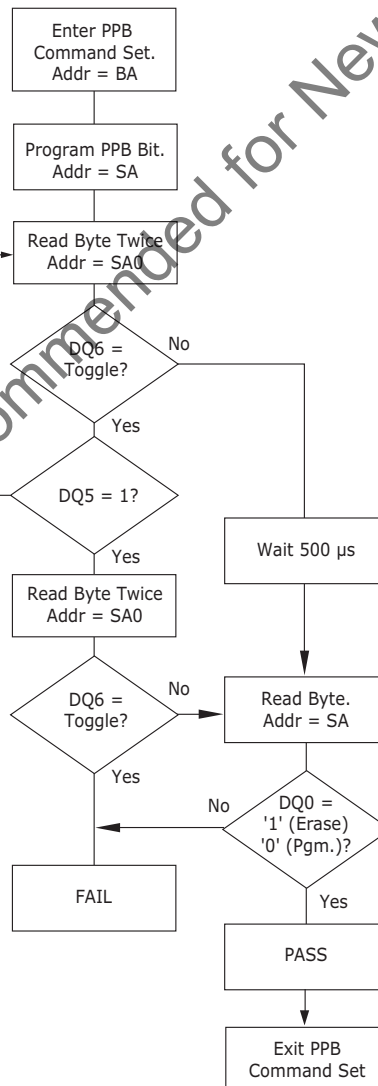
The Persistent Protection Bits are unique and nonvolatile for each sector and have the same endurance as the Flash memory. Preprogramming and verification prior to erasure are handled by the device, and therefore do not require system monitoring.

Notes:

1. Each PPB is individually programmed and all are erased in parallel.
2. PPB program/erase operation: Reads from other banks (simultaneous operation) are not allowed during PPB programming/erase operation. This restriction applies for both synchronous and asynchronous read operations.
3. Entry command disables reads and writes for the bank selected.
4. Reads within that bank return the PPB status for that sector.
5. All Reads must be performed using the Asynchronous mode.
6. The specific sector address (A23-A14 WS256N, A22-A14 WS128N) are written at the same time as the program command.
7. If the PPB Lock Bit is set, the PPB Program or erase command does not execute and times-out without programming or erasing the PPB.
8. There are no means for individually erasing a specific PPB and no specific sector address is required for this operation.
9. Exit command must be issued after the execution which resets the device to read mode and re-enables reads and writes for Bank 0
10. The programming state of the PPB for a given sector can be verified by writing a PPB Status Read Command to the device as described by the flow chart shown in Figure 8.2 on page 43.

Figure 8.2 PPB Program/Erase Algorithm

Not Recommended for New Design



8.3 Dynamic Protection Bits

Dynamic Protection Bits are volatile and unique for each sector and can be individually modified. DYBs only control the protection scheme for unprotected sectors that have their PPBs cleared (erased to “1”). By issuing the DYB Set or Clear command sequences, the DYBs are set (programmed to “0”) or cleared (erased to “1”), thus placing each sector in the protected or unprotected state respectively. This feature allows software to easily protect sectors against inadvertent changes yet does not prevent the easy removal of protection when changes are needed.

Notes:

1. The DYBs can be set (programmed to “0”) or cleared (erased to “1”) as often as needed.
When the parts are first shipped, the PPBs are cleared (erased to “1”) and upon power up or reset, the DYBs can be set or cleared depending upon the ordering option chosen.
2. If the option to clear the DYBs after power up is chosen, (erased to “1”), then the sectors may be modified depending upon the PPB state of that sector (see [Table on page 46](#)).
3. The sectors would be in the protected state if the option to set the DYBs after power up is chosen (programmed to “0”).
4. It is possible to have sectors that are persistently locked with sectors that are left in the dynamic state.
5. The DYB Set or Clear commands for the dynamic sectors signify protected or unprotected state of the sectors respectively. However, if there is a need to change the status of the persistently locked sectors, a few more steps are required. First, the PPB Lock Bit must be cleared by either putting the device through a power-cycle, or hardware reset. The PPBs can then be changed to reflect the desired settings. Setting the PPB Lock Bit once again locks the PPBs, and the device operates normally again.
6. To achieve the best protection, it is recommended to execute the PPB Lock Bit Set command early in the boot code and protect the boot code by holding $WP\# = V_{IL}$. Note that the PPB and DYB bits have the same function when $ACC = V_{HH}$ as they do when $ACC = V_{IH}$.

8.4 Persistent Protection Bit Lock Bit

The Persistent Protection Bit Lock Bit is a global volatile bit for all sectors. When set (programmed to “0”), it locks all PPBs and when cleared (programmed to “1”), allows the PPBs to be changed. There is only one PPB Lock Bit per device.

Notes:

1. No software command sequence unlocks this bit unless the device is in the password protection mode; only a hardware reset or a power-up clears this bit.
2. The PPB Lock Bit must be set (programmed to “0”) only after all PPBs are configured to the desired settings.

8.5 Password Protection Method

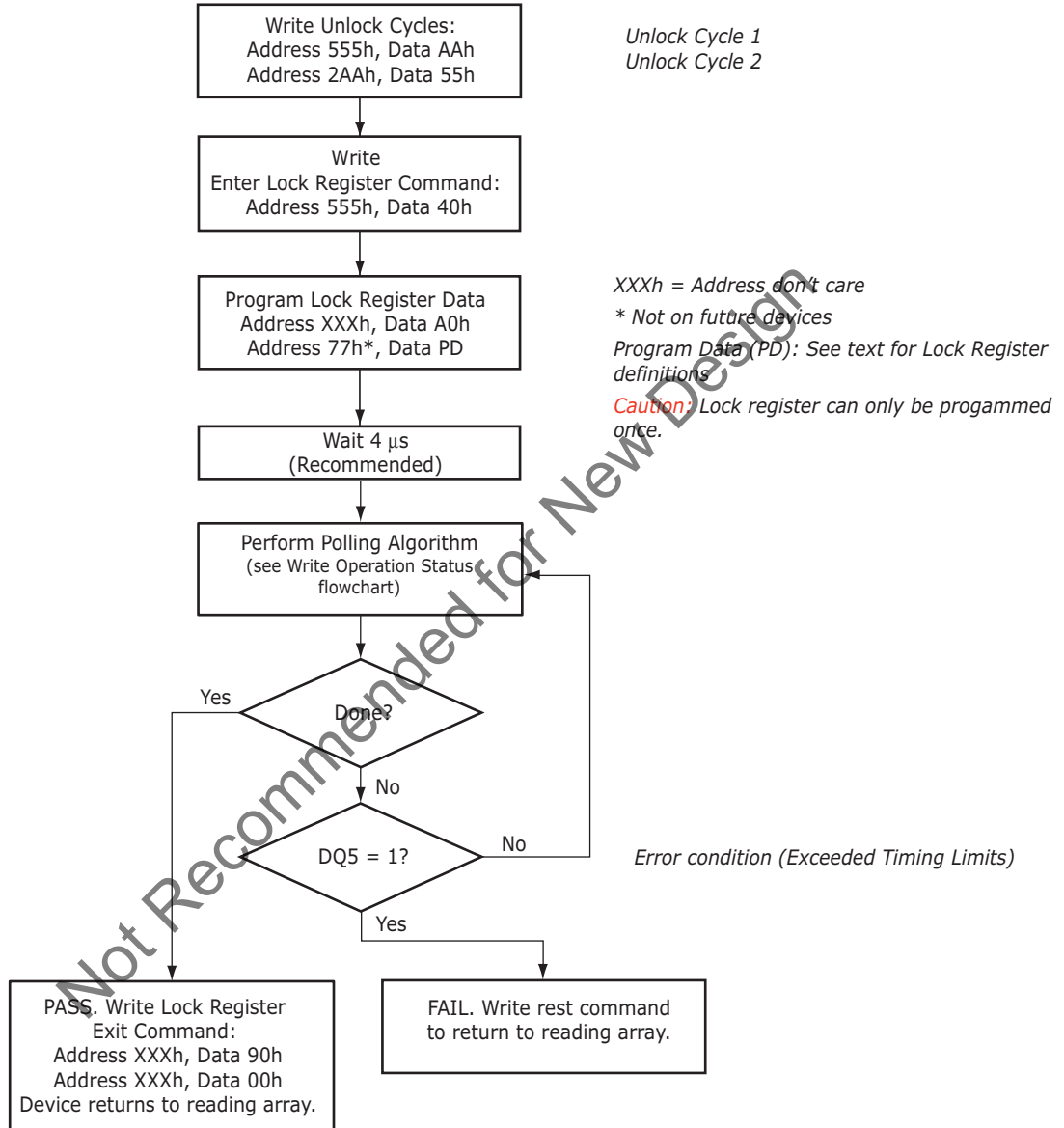
The Password Protection Method allows an even higher level of security than the Persistent Sector Protection Mode by requiring a 64 bit password for unlocking the device PPB Lock Bit. In addition to this password requirement, after power up and reset, the PPB Lock Bit is set “0” to maintain the password mode of operation. Successful execution of the Password Unlock command by entering the entire password clears the PPB Lock Bit, allowing for sector PPBs modifications.

Notes:

1. There is no special addressing order required for programming the password. Once the Password is written and verified, the Password Mode Locking Bit must be set in order to prevent access.
2. The Password Program Command is only capable of programming “0”s. Programming a “1” after a cell is programmed as a “0” results in a time-out with the cell as a “0”.
3. The password is all “1”s when shipped from the factory.
4. All 64-bit password combinations are valid as a password.
5. There is no means to verify what the password is after it is set.
6. The Password Mode Lock Bit, once set, prevents reading the 64-bit password on the data bus and further password programming.
7. The Password Mode Lock Bit is not erasable.
8. The lower two address bits (A1–A0) are valid during the Password Read, Password Program, and Password Unlock.
9. The exact password must be entered in order for the unlocking function to occur.
10. The Password Unlock command cannot be issued any faster than 1 μ s at a time to prevent a hacker from running through all the 64-bit combinations in an attempt to correctly match a password.
11. Approximately 1 μ s is required for unlocking the device after the valid 64-bit password is given to the device.
12. Password verification is only allowed during the password programming operation.
13. All further commands to the password region are disabled and all operations are ignored.
14. If the password is lost after setting the Password Mode Lock Bit, there is no way to clear the PPB Lock Bit.
15. Entry command sequence must be issued prior to any of any operation and it disables reads and writes for Bank 0. Reads and writes for other banks excluding Bank 0 are allowed.
16. If the user attempts to program or erase a protected sector, the device ignores the command and returns to read mode.
17. A program or erase command to a protected sector enables status polling and returns to read mode without having modified the contents of the protected sector.

18. The programming of the DYB, PPB, and PPB Lock for a given sector can be verified by writing individual status read commands DYB Status, PPB Status, and PPB Lock Status to the device.

Figure 8.3 Lock Register Program Algorithm



8.6 Advanced Sector Protection Software Examples

Sector Protection Schemes

Unique Device PPB Lock Bit 0 = locked 1 = unlocked		Sector PPB 0 = protected 1 = unprotected	Sector DYB 0 = protected 1 = unprotected	Sector Protection Status
Any Sector	0	0	x	Protected through PPB
Any Sector	0	0	x	Protected through PPB
Any Sector	0	1	1	Unprotected
Any Sector	0	1	0	Protected through DYB
Any Sector	1	0	x	Protected through PPB
Any Sector	1	0	x	Protected through PPB
Any Sector	1	1	0	Protected through DYB
Any Sector	1	1	1	Unprotected

Table on page 46 contains all possible combinations of the DYB, PPB, and PPB Lock Bit relating to the status of the sector. In summary, if the PPB Lock Bit is locked (set to “0”), no changes to the PPBs are allowed. The PPB Lock Bit can only be unlocked (reset to “1”) through a hardware reset or power cycle. See also Figure 8.1 on page 41 for an overview of the Advanced Sector Protection feature.

8.7 Hardware Data Protection Methods

The device offers two main types of data protection at the sector level via hardware control:

- When WP# is at V_{IL} , the device disables program and erase functions in the outermost boot sectors.
- When ACC is at V_{IL} , all sectors are locked.

There are additional methods by which intended or accidental erasure of any sectors can be prevented via hardware means. The following subsections describes these methods:

8.7.1 WP# Method

The Write Protect feature provides a hardware method of protecting the four outermost sectors. This function is provided by the WP# pin and overrides the previously discussed Sector Protection/Unprotection method.

If the system asserts V_{IL} on the WP# pin, the device disables program and erase functions in the “outermost” boot sectors. The outermost boot sectors are the sectors containing both the lower and upper set of sectors in a dual-boot-configured device.

If the system asserts V_{IH} on the WP# pin, the device reverts to whether the boot sectors were last set to be protected or unprotected. That is, sector protection or unprotection for these sectors depends on whether they were last protected or unprotected.

Note that the WP# pin must not be left floating or unconnected as inconsistent behavior of the device may result.

The WP# pin must be held stable during a command sequence execution

8.7.2 ACC Method

This method is similar to above, except it protects all sectors. Once ACC input is set to V_{IL} , all program and erase functions are disabled and hence all sectors are protected.

8.7.3 Low V_{CC} Write Inhibit

When V_{CC} is less than V_{LKO} , the device does not accept any write cycles. This protects data during V_{CC} power-up and power-down.

The command register and all internal program/erase circuits are disabled, and the device resets to reading array data. Subsequent writes are ignored until V_{CC} is greater than V_{LKO} . The system must provide the proper signals to the control inputs to prevent unintentional writes when V_{CC} is greater than V_{LKO} .

8.7.4 Write Pulse “Glitch Protection”

Noise pulses of less than 3 ns (typical) on OE#, CE# or WE# do not initiate a write cycle.

8.7.5 Power-Up Write Inhibit

If WE# = CE# = RESET# = V_{IL} and OE# = V_{IH} during power up, the device does not accept commands on the rising edge of WE#. The internal state machine is automatically reset to the read mode on power-up.

9. Power Conservation Modes

9.1 Standby Mode

When the system is not reading or writing to the device, it can place the device in the standby mode. In this mode, current consumption is greatly reduced, and the outputs are placed in the high impedance state, independent of the OE# input. The device enters the CMOS standby mode when the CE# and RESET# inputs are both held at $V_{CC} \pm 0.2$ V. The device requires standard access time (t_{CE}) for read access, before it is ready to read data. If the device is deselected during erasure or programming, the device draws active current until the operation is completed. I_{CC3} in [DC Characteristics \(CMOS Compatible\) on page 54](#) represents the standby current specification

9.2 Automatic Sleep Mode

The automatic sleep mode minimizes Flash device energy consumption while in asynchronous mode. The device automatically enables this mode when addresses remain stable for $t_{ACC} + 20$ ns. The automatic sleep mode is independent of the CE#, WE#, and OE# control signals. Standard address access timings provide new data when addresses are changed. While in sleep mode, output data is latched and always available to the system. While in synchronous mode, the automatic sleep mode is disabled. Note that a new burst operation is required to provide new data. I_{CC6} in [DC Characteristics \(CMOS Compatible\) on page 54](#) represents the automatic sleep mode current specification.

9.3 Hardware RESET# Input Operation

The RESET# input provides a hardware method of resetting the device to reading array data. When RESET# is driven low for at least a period of t_{RP} , the device immediately terminates any operation in progress, tristates all outputs, resets the configuration register, and ignores all read/write commands for the duration of the RESET# pulse. The device also resets the internal state machine to reading array data. The operation that was interrupted should be reinitiated once the device is ready to accept another command sequence to ensure data integrity.

When RESET# is held at $V_{SS} \pm 0.2$ V, the device draws CMOS standby current (I_{CC4}). If RESET# is held at V_{IL} but not within $V_{SS} \pm 0.2$ V, the standby current is greater.

RESET# may be tied to the system reset circuitry and thus, a system reset would also reset the Flash memory, enabling the system to read the boot-up firmware from the Flash memory.

9.4 Output Disable (OE#)

When the OE# input is at V_{IH} , output from the device is disabled. The outputs are placed in the high impedance state.

10. Secured Silicon Sector Flash Memory Region

The Secured Silicon Sector provides an extra Flash memory region that enables permanent part identification through an Electronic Serial Number (ESN). The Secured Silicon Sector is 256 words in length that consists of 128 words for factory data and 128 words for customer-secured areas. All Secured Silicon reads outside of the 256-word address range returns invalid data. The Factory Indicator Bit, DQ7, (at Autoselect address 03h) is used to indicate whether or not the Factory Secured Silicon Sector is locked when shipped from the factory. The Customer Indicator Bit (DQ6) is used to indicate whether or not the Customer Secured Silicon Sector is locked when shipped from the factory.

Please note the following general conditions:

- While Secured Silicon Sector access is enabled, simultaneous operations are allowed except for Bank 0.
- On power-up, or following a hardware reset, the device reverts to sending commands to the normal address space.
- Reads can be performed in the Asynchronous or Synchronous mode.
- Burst mode reads within Secured Silicon Sector wrap from address FFh back to address 00h.
- Reads outside of sector 0 return memory array data.
- Continuous burst read past the maximum address is undefined.
- Sector 0 is remapped from memory array to Secured Silicon Sector array.
- Once the Secured Silicon Sector Entry Command is issued, the Secured Silicon Sector Exit command must be issued to exit Secured Silicon Sector Mode.
- The Secured Silicon Sector is not accessible when the device is executing an Embedded Program or Embedded Erase algorithm.

Secured Silicon Sector Addresses

Sector	Sector Size	Address Range
Customer	128 words	000080h-0000FFh
Factory	128 words	000000h-00007Fh

10.1 Factory Secured Silicon Sector

The Factory Secured Silicon Sector is always protected when shipped from the factory and has the Factory Indicator Bit (DQ7) permanently set to a "1". This prevents cloning of a factory locked part and ensures the security of the ESN and customer code once the product is shipped to the field.

These devices are available pre programmed with one of the following:

- A random, 8 Word secure ESN only within the Factory Secured Silicon Sector
- Customer code within the Customer Secured Silicon Sector through the Spansion™ programming service.
- Both a random, secure ESN and customer code through the Spansion programming service.

Customers may opt to have their code programmed through the Spansion programming services. Spansion programs the customer's code, with or without the random ESN. The devices are then shipped from the Spansion factory with the Factory Secured Silicon Sector and Customer Secured Silicon Sector permanently locked. Contact your local representative for details on using Spansion programming services.

10.2 Customer Secured Silicon Sector

The Customer Secured Silicon Sector is typically shipped unprotected (DQ6 set to “0”), allowing customers to utilize that sector in any manner they choose. If the security feature is not required, the Customer Secured Silicon Sector can be treated as an additional Flash memory space.

Please note the following:

- Once the Customer Secured Silicon Sector area is protected, the Customer Indicator Bit is permanently set to “1.”
- The Customer Secured Silicon Sector can be read any number of times, but can be programmed and locked only once. The Customer Secured Silicon Sector lock must be used with caution as once locked, there is no procedure available for unlocking the Customer Secured Silicon Sector area and none of the bits in the Customer Secured Silicon Sector memory space can be modified in any way.
- The accelerated programming (ACC) and unlock bypass functions are not available when programming the Customer Secured Silicon Sector, but reading in Banks 1 through 15 is available.
- Once the Customer Secured Silicon Sector is locked and verified, the system must write the Exit Secured Silicon Sector Region command sequence which return the device to the memory array at sector 0.

10.3 Secured Silicon Sector Entry/Exit Command Sequences

The system can access the Secured Silicon Sector region by issuing the three-cycle Enter Secured Silicon Sector command sequence. The device continues to access the Secured Silicon Sector region until the system issues the four-cycle Exit Secured Silicon Sector command sequence.

See [Table on page 72](#) for address and data requirements for both command sequences.

The Secured Silicon Sector Entry Command allows the following commands to be executed

- Read customer and factory Secured Silicon areas
- Program the customer Secured Silicon Sector

After the system has written the Enter Secured Silicon Sector command sequence, it may read the Secured Silicon Sector by using the addresses normally occupied by sector SA0 within the memory array. This mode of operation continues until the system issues the Exit Secured Silicon Sector command sequence or until power is removed from the device.

Not Recommended for New Design

Software Functions and Sample Code

The following are C functions and source code examples of using the Secured Silicon Sector Entry, Program, and exit commands. Refer to the *Spansion Low Level Driver User's Guide* (available soon on www.spansion.com) for general information on Spansion Flash memory software development guidelines.

Secured Silicon Sector Entry

(LLD Function = `lld_SecSiSectorEntryCmd`)

Cycle	Operation	Byte Address	Word Address	Data
Unlock Cycle 1	Write	Base + AAAh	Base + 555h	00AAh
Unlock Cycle 2	Write	Base + 554h	Base + 2AAh	0055h
Entry Cycle	Write	Base + AAAh	Base + 555h	0088h

Note:

Base = Base Address.

```

/* Example: SecSi Sector Entry Command */
* ( (UINT16 *)base_addr + 0x555 ) = 0x00AA; /* write unlock cycle 1 */
* ( (UINT16 *)base_addr + 0x2AA ) = 0x0055; /* write unlock cycle 2 */
* ( (UINT16 *)base_addr + 0x555 ) = 0x0088; /* write Secsi Sector Entry Cmd */

```

Secured Silicon Sector Program

(LLD Function = `lld_ProgramCmd`)

Cycle	Operation	Byte Address	Word Address	Data
Unlock Cycle 1	Write	Base + AAAh	Base + 555h	00AAh
Unlock Cycle 2	Write	Base + 554h	Base + 2AAh	0055h
Program Setup	Write	Base + AAAh	Base + 555h	00A0h
Program	Write	Word Address	Word Address	Data Word

Note:

Base = Base Address.

```

/* Once in the SecSi Sector mode, you program */
/* words using the programming algorithm. */

```

Secured Silicon Sector Exit

(LLD Function = `lld_SecSiSectorExitCmd`)

Cycle	Operation	Byte Address	Word Address	Data
Unlock Cycle 1	Write	Base + AAAh	Base + 555h	00AAh
Unlock Cycle 2	Write	Base + 554h	Base + 2AAh	0055h
Exit Cycle	Write	Base + AAAh	Base + 555h	0090h

Note:

Base = Base Address.

```

/* Example: SecSi Sector Exit Command */
* ( (UINT16 *)base_addr + 0x555 ) = 0x00AA; /* write unlock cycle 1 */
* ( (UINT16 *)base_addr + 0x2AA ) = 0x0055; /* write unlock cycle 2 */
* ( (UINT16 *)base_addr + 0x555 ) = 0x0090; /* write SecSi Sector Exit cycle 3 */
* ( (UINT16 *)base_addr + 0x000 ) = 0x0000; /* write SecSi Sector Exit cycle 4 */

```

11. Electrical Specifications

11.1 Absolute Maximum Ratings

Storage Temperature Plastic Packages	-65°C to +150°C
Ambient Temperature with Power Applied	-65°C to +125°C
Voltage with Respect to Ground: All Inputs and I/Os except as noted below (1)	-0.5 V to $V_{CC} + 0.5$ V
V_{CC} (1)	-0.5 V to +2.5 V
ACC (2)	-0.5 V to +9.5 V
Output Short Circuit Current (3)	100 mA

Notes:

1. Minimum DC voltage on input or I/Os is -0.5 V. During voltage transitions, inputs or I/Os may undershoot V_{SS} to -2.0 V for periods of up to 20 ns. See [Figure 11.1 on page 51](#). Maximum DC voltage on input or I/Os is $V_{CC} + 0.5$ V. During voltage transitions outputs may overshoot to $V_{CC} + 2.0$ V for periods up to 20 ns. See [Figure 11.2 on page 51](#).
2. Minimum DC input voltage on pin ACC is -0.5V. During voltage transitions, ACC may overshoot V_{SS} to -2.0 V for periods of up to 20 ns. See [Figure 11.1 on page 51](#). Maximum DC voltage on pin ACC is +9.5 V, which may overshoot to 10.5 V for periods up to 20 ns.
3. No more than one output may be shorted to ground at a time. Duration of the short circuit should not be greater than one second.
4. Stresses above those listed under [Absolute Maximum Ratings](#) may cause permanent damage to the device. This is a stress rating only; functional operation of the device at these or any other conditions above those indicated in the operational sections of this data sheet is not implied. Exposure of the device to absolute maximum rating conditions for extended periods may affect device reliability.

Figure 11.1 Maximum Negative Overshoot Waveform

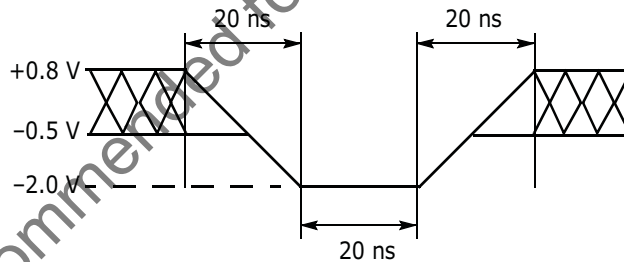
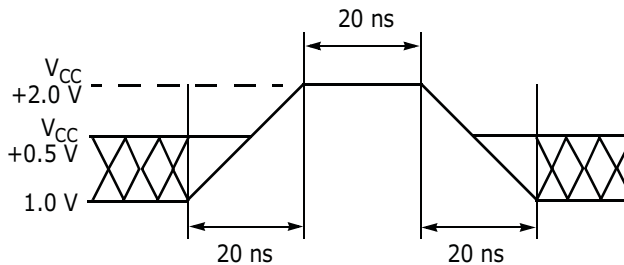


Figure 11.2 Maximum Positive Overshoot Waveform



Note:

The content in this document is Advance information for the S29WS128N. Content in this document is Preliminary for the S29W256N.

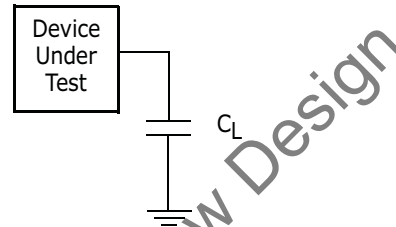
11.2 Operating Ranges

Wireless (W) Devices	Supply Voltages
Ambient Temperature (T_A): -25°C to +85°C	V_{CC} Supply Voltages: +1.70 V to +1.95 V

Note:
Operating ranges define those limits between which the functionality of the device is guaranteed.

11.3 Test Conditions






Figure 11.3 Test Setup



Test Specifications

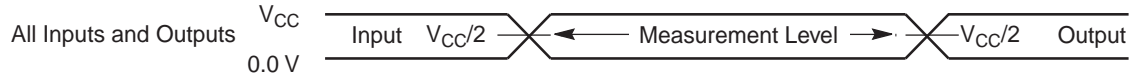
Test Condition	All Speed Options	Unit
Output Load Capacitance, C_L (including jig capacitance)	30	pF
Input Rise and Fall Times	3.0 @ 54, 66 MHz 2.5 @ 80 MHz	ns
Input Pulse Levels	0.0- V_{CC}	V
Input timing measurement reference levels	$V_{CC}/2$	V
Output timing measurement reference levels	$V_{CC}/2$	V

11.4 Key to Switching Waveforms

Waveform	Inputs	Outputs
		Steady
		Changing from H to L
		Changing from L to H
	Don't Care, Any Change Permitted	Changing, State Unknown
	Does Not Apply	Center Line is High Impedance State (High Z)

11.5 Switching Waveforms

Figure 11.4 Input Waveforms and Measurement Levels



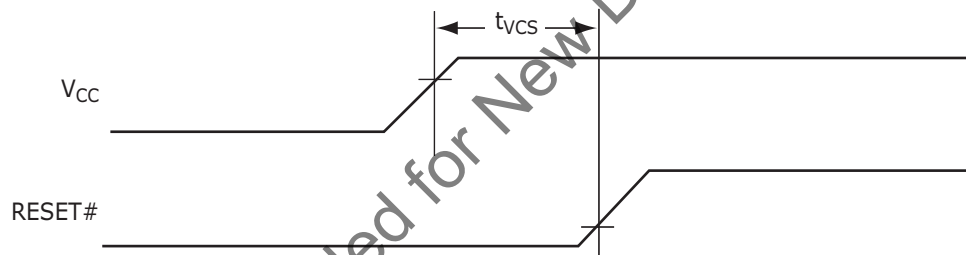
11.6 V_{CC} Power-up

Parameter	Description	Test Setup	Speed	Unit
t_{VCS}	V_{CC} Setup Time	Min	1	ms

Notes:

1. All V_{CC} signals must be ramped simultaneously to ensure correct power-up.
2. S29WS128N: V_{CC} ramp rate is $> 1\text{ V} / 100\ \mu\text{s}$ and for V_{CC} ramp rate of $< 1\text{ V} / 100\ \mu\text{s}$ a hardware reset is required.

Figure 11.5 V_{CC} Power-up Diagram



Not Recommended for New Design

11.7 DC Characteristics (CMOS Compatible)

Parameter	Description (Notes)	Test Conditions (Notes 1, 8)	Min	Typ	Max	Unit
I_{LI}	Input Load Current	$V_{IN} = V_{SS}$ to V_{CC} , $V_{CC} = V_{CCmax}$			± 1	μA
I_{LO}	Output Leakage Current (2)	$V_{OUT} = V_{SS}$ to V_{CC} , $V_{CC} = V_{CCmax}$			± 1	μA
I_{CCB}	V_{CC} Active burst Read Current	CE# = V_{IL} , OE# = V_{IH} , WE# = V_{IH} , burst length = 8	54 MHz	27	54	mA
			66 MHz	28	60	mA
			80 MHz	30	66	mA
		CE# = V_{IL} , OE# = V_{IH} , WE# = V_{IH} , burst length = 16	54 MHz	28	48	mA
			66 MHz	30	54	mA
			80 MHz	32	60	mA
		CE# = V_{IL} , OE# = V_{IH} , WE# = V_{IH} , burst length = 32	54 MHz	29	42	mA
			66 MHz	32	48	mA
			80 MHz	34	54	mA
		CE# = V_{IL} , OE# = V_{IH} , WE# = V_{IH} , burst length = Continuous	54 MHz	32	36	mA
			66 MHz	35	42	mA
			80 MHz	38	48	mA
I_{CC1}	V_{CC} Active Asynchronous Read Current (3)	CE# = V_{IL} , OE# = V_{IH} , WE# = V_{IH}	10 MHz	34	45	mA
			5 MHz	17	26	mA
			1 MHz	4	7	mA
I_{CC2}	V_{CC} Active Write Current (4)	CE# = V_{IL} , OE# = V_{IH} , ACC = V_{IH}	V_{ACC}	1	5	μA
			V_{CC}	24	52.5	mA
I_{CC3}	V_{CC} Standby Current (5, 6)	CE# = RESET# = $V_{CC} \pm 0.2 V$	V_{ACC}	1	5	μA
			V_{CC}	20	70	μA
I_{CC4}	V_{CC} Reset Current (6)	RESET# = V_{IL} , CLK = V_{IL}		70	250	μA
I_{CC5}	V_{CC} Active Current (Read While Write) (6)	CE# = V_{IL} , OE# = V_{IH} , ACC = V_{IH} @ 5 MHz		50	60	mA
I_{CC6}	V_{CC} Sleep Current (6)	CE# = V_{IL} , OE# = V_{IH}		2	70	μA
I_{CC7}	V_{CC} Page Mode Read Current	OE# = V_{IH} , CE# = V_{IL}			12	mA
I_{ACC}	Accelerated Program Current (7)	CE# = V_{IL} , OE# = V_{IH} , $V_{ACC} = 9.5 V$	V_{ACC}	6	20	mA
			V_{CC}	14	20	mA
V_{IL}	Input Low Voltage	$V_{CC} = 1.8 V$	-0.5		0.4	V
V_{IH}	Input High Voltage	$V_{CC} = 1.8 V$	$V_{CC} - 0.4$		$V_{CC} + 0.4$	V
V_{OL}	Output Low Voltage	$I_{OL} = 100 \mu A$, $V_{CC} = V_{CC min}$			0.1	V
V_{OH}	Output High Voltage	$I_{OH} = -100 \mu A$, $V_{CC} = V_{CC min}$	V_{CC}			V
V_{HH}	Voltage for Accelerated Program		8.5		9.5	V
V_{LKO}	Low V_{CC} Lock-out Voltage				1.4	V

Notes:

- Maximum I_{CC} specifications are tested with $V_{CC} = V_{CCmax}$.
- CE# must be set high when measuring the RDY pin.
- The I_{CC} current listed is typically less than 3.5 mA/MHz, with OE# at V_{IH} .
- I_{CC} active while Embedded Erase or Embedded Program is in progress.
- Device enters automatic sleep mode when addresses are stable for $t_{ACC} + 20 ns$. Typical sleep mode current is equal to I_{CC3} .
- $V_{IH} = V_{CC} \pm 0.2 V$ and $V_{IL} > -0.1 V$.
- Total current during accelerated programming is the sum of V_{ACC} and V_{CC} currents.
- $V_{ACC} = V_{HH}$ on ACC input.

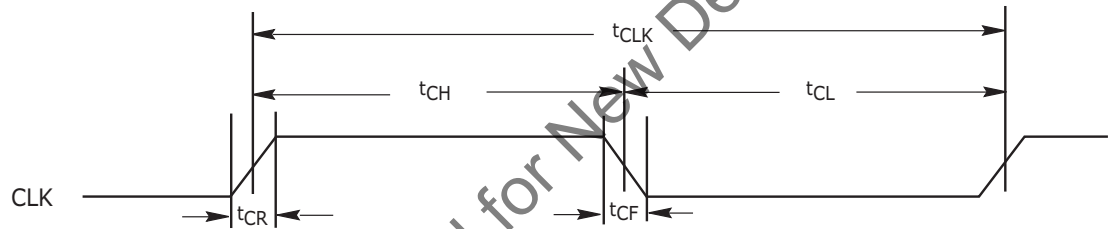
11.8 AC Characteristics

11.8.1 CLK Characterization

Parameter	Description		54 MHz	66 MHz	80 MHz	Unit
f_{CLK}	CLK Frequency	Max	54	66	80	MHz
t_{CLK}	CLK Period	Min	18.5	15.1	12.5	ns
t_{CH}	CLK High Time	Min	7.4	6.1	5.0	ns
t_{CL}	CLK Low Time					
t_{CR}	CLK Rise Time	Max	3	3	2.5	ns
t_{CF}	CLK Fall Time					

Note:
Not 100% tested.

Figure 11.6 CLK Characterization



11.8.2 Synchronous/Burst Read

Parameter		Description		54 MHz	66 MHz	80 MHz	Unit
JEDEC	Standard						
	t_{IACC}	Latency	Max	80			ns
	t_{BACC}	Burst Access Time Valid Clock to Output Delay	Max	13.5	11.2	9	ns
	t_{ACS}	Address Setup Time to CLK (Note 1)	Min	5	4		ns
	t_{ACH}	Address Hold Time from CLK (Note 1)	Min	7	6		ns
	t_{BDH}	Data Hold Time from Next Clock Cycle	Min	4	3		ns
	t_{CR}	Chip Enable to RDY Valid	Max	13.5	11.2	9	ns
	t_{OE}	Output Enable to Output Valid	Max	13.5	11.2		ns
	t_{CEZ}	Chip Enable to High Z (Note 2)	Max	10			ns
	t_{OEZ}	Output Enable to High Z (Note 2)	Max	10			ns
	t_{CES}	CE# Setup Time to CLK	Min	4			ns
	t_{RDYS}	RDY Setup Time to CLK	Min	5	4	3.5	ns
	t_{RACC}	Ready Access Time from CLK	Max	13.5	11.2	8.5	ns
	t_{CAS}	CE# Setup Time to AVD#	Min	0			ns
	t_{AVC}	AVD# Low to CLK	Min	4			ns
	t_{AVD}	AVD# Pulse	Min	7			ns
	t_{AVDH}	AVD# Hold	Min	3			ns
	f_{CLK}	Minimum clock frequency	Min	1	1	1	MHz

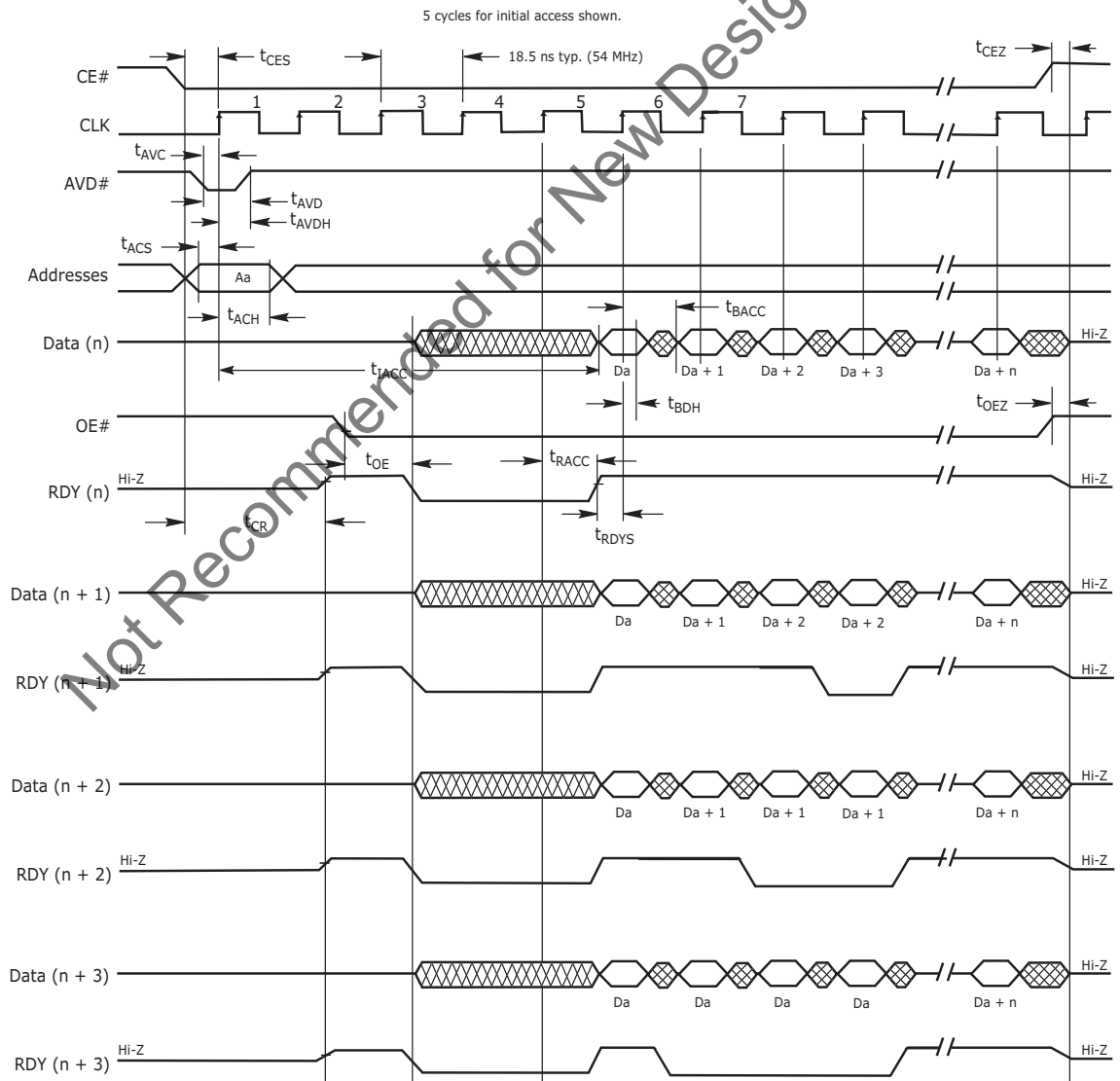
Notes:
1. Addresses are latched on the first rising edge of CLK.
2. Not 100% tested.

Synchronous Wait State Requirements

Max Frequency	Wait State Requirement
01 MHz < Freq. ≤ 14 MHz	2
14 MHz < Freq. ≤ 27 MHz	3
27 MHz < Freq. ≤ 40 MHz	4
40 MHz < Freq. ≤ 54 MHz	5
54 MHz < Freq. ≤ 67 MHz	6
67 MHz < Freq. ≤ 80 MHz	7

11.8.3 Timing Diagrams

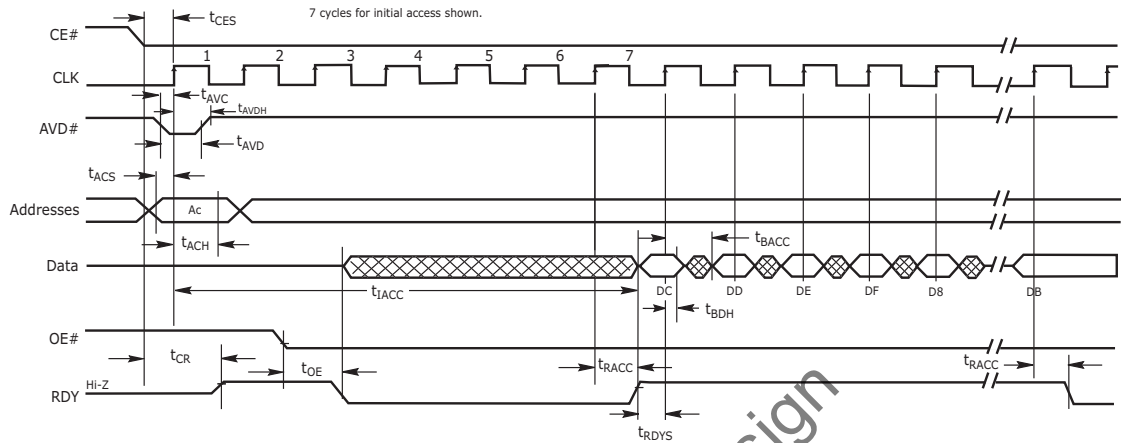
Figure 11.7 CLK Synchronous Burst Mode Read



Notes:

- Figure shows total number of wait states set to five cycles. The total number of wait states can be programmed from two cycles to seven cycles.
- If any burst address occurs at "address + 1", "address + 2", or "address + 3", additional clock delay cycles are inserted, and are indicated by RDY.
- The device is in synchronous mode.

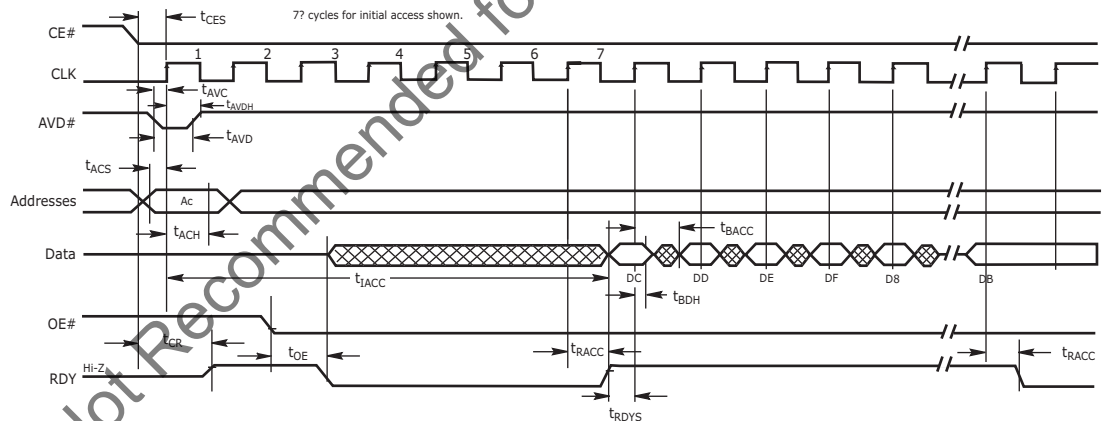
Figure 11.8 8-word Linear Burst with Wrap Around



Notes:

1. Figure shows total number of wait states set to seven cycles. The total number of wait states can be programmed from two cycles to seven cycles.
2. If any burst address occurs at "address + 1", "address + 2", or "address + 3", additional clock delay cycles are inserted, and are indicated by RDY.
3. The device is in synchronous mode with wrap around.
4. D8–DF in data waveform indicate the order of data within a given 8-word address range, from lowest to highest. Starting address in figure is the 4th address in range (0-F).

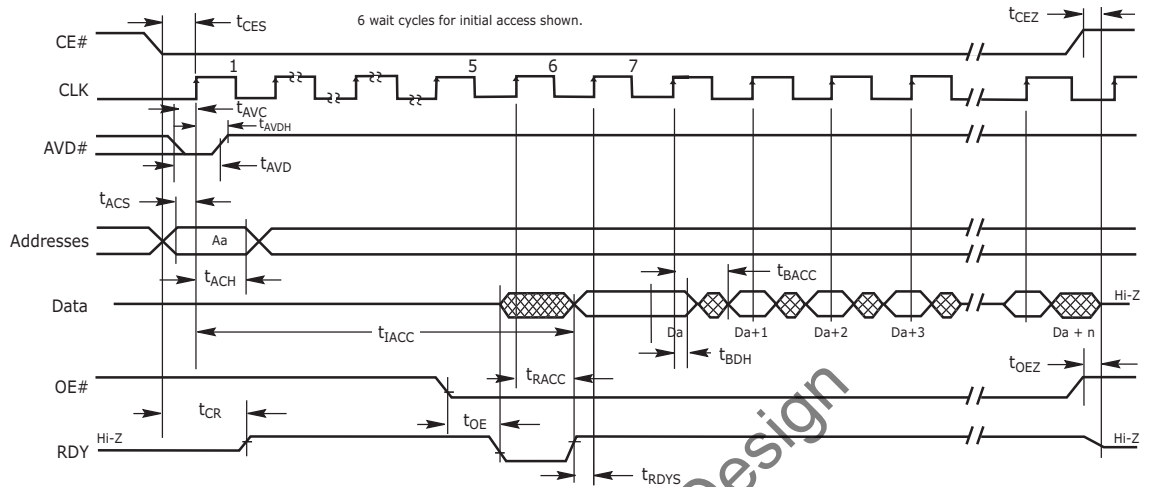
Figure 11.9 8-word Linear Burst without Wrap Around



Notes:

1. Figure shows total number of wait states set to seven cycles. The total number of wait states can be programmed from two cycles to seven cycles. Clock is set for active rising edge.
2. If any burst address occurs at "address + 1", "address + 2", or "address + 3", additional clock delay cycles are inserted, and are indicated by RDY.
3. The device is in asynchronous mode with out wrap around.
4. DC–D13 in data waveform indicate the order of data within a given 8-word address range, from lowest to highest. Starting address in figure is the 1st address in range (c-13).

Figure 11.10 Linear Burst with RDY Set One Cycle Before Data



Notes:

1. Figure assumes 6 wait states for initial access and synchronous read.
2. The Set Configuration Register command sequence has been written with CR8=0; device outputs RDY one cycle before valid data.

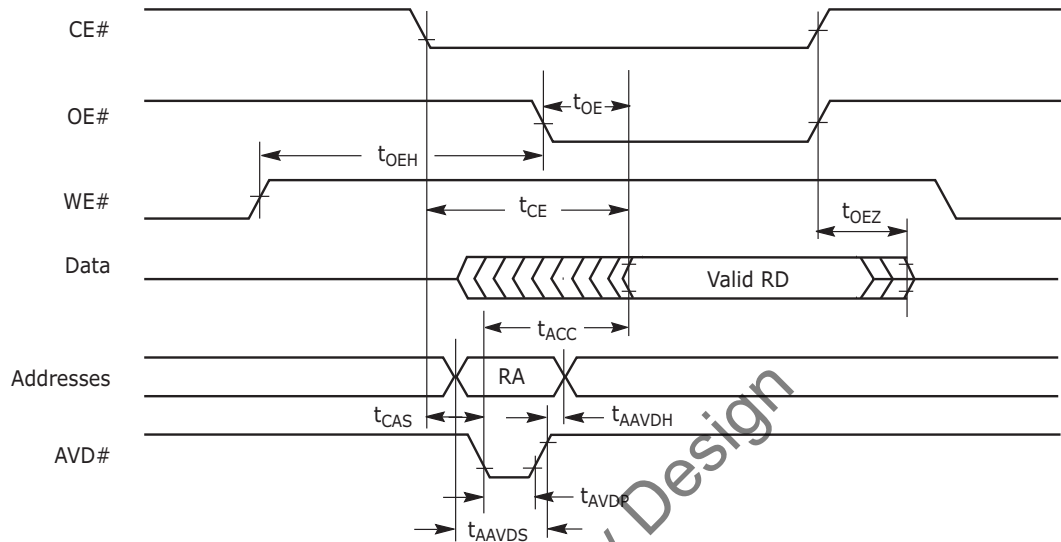
11.8.4 AC Characteristics—Asynchronous Read

Parameter		Description	54 MHz	66 MHz	80 MHz	Unit
JEDEC	Standard					
	t _{CE}	Access Time from CE# Low	Max	80		ns
	t _{ACC}	Asynchronous Access Time	Max	80		ns
	t _{AVDP}	AVD# Low Time	Min	8		ns
	t _{AAVDS}	Address Setup Time to Rising Edge of AVD#	Min	4		ns
	t _{AAVDH}	Address Hold Time from Rising Edge of AVD#	Min	7	6	ns
	t _{OE}	Output Enable to Output Valid	Max	13.5		ns
	t _{OEH}	Read	Min	0		ns
		Toggle and Data# Polling	Min	10		ns
	t _{OEZ}	Output Enable to High Z (Note 1)	Max	10		ns
	t _{CAS}	CE# Setup Time to AVD#	Min	0		ns
	t _{PACC}	Page Access Time	Max	20		ns
	t _{OH}	Output Hold Time From Addresses, CE# or OE#, whichever occurs first (Note 2)	Min	0		ns
	t _{CEZ}	Chip Enable to Output Tristate	Max	10		ns

Notes:

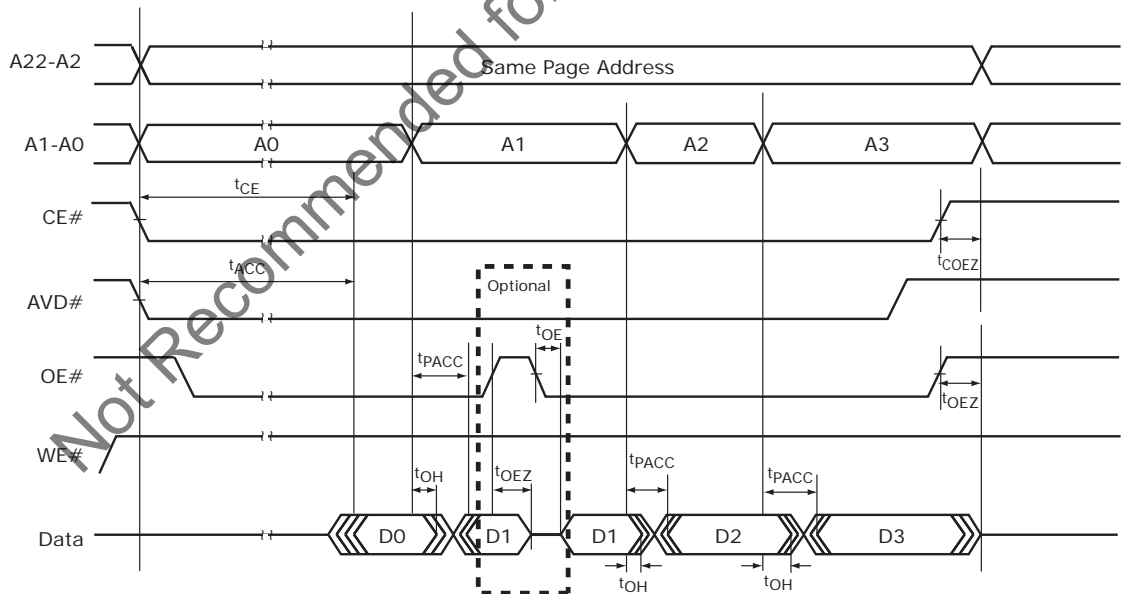
1. Not 100% tested.
2. t_{OEH} = 1 ns for S29WS128N.

Figure 11.11 Asynchronous Mode Read



Notes:
RA = Read Address, RD = Read Data.

Figure 11.12 Four-Word Page-Mode Operation

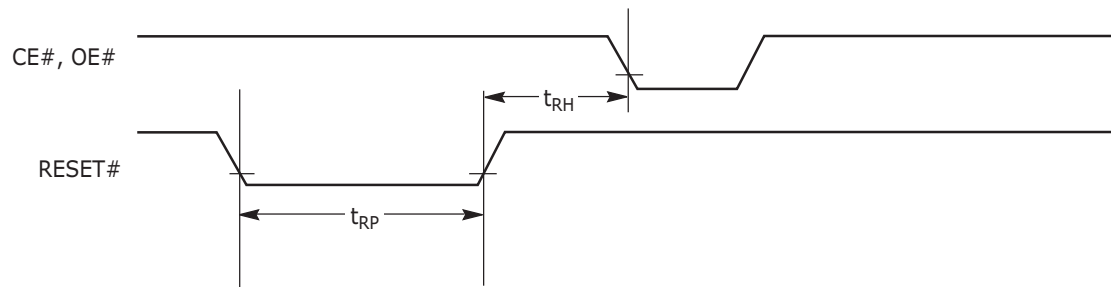


11.8.5 Hardware Reset (RESET#)

Parameter		Description		All Speed Options	Unit
JEDEC	Std.				
	t_{RP}	RESET# Pulse Width	Min	30	μs
	t_{RH}	Reset High Time Before Read (See Note)	Min	200	ns

Note:
Not 100% tested.

Figure 11.13 Reset Timings



11.8.6 Erase/Program Timing

Parameter		Description		54 MHz	66 MHz	80 MHz	Unit
JEDEC	Standard						
t _{AVAV}	t _{WC}	Write Cycle Time (1)	Min	80			ns
t _{AVWL}	t _{AS}	Address Setup Time (2) (3)	Min	Synchronous		5	ns
				Asynchronous		0	ns
t _{WLAX}	t _{AH}	Address Hold Time (2) (3)	Min	Synchronous		9	ns
				Asynchronous		20	
	t _{AVDP}	AVD# Low Time	Min	8			ns
t _{DVWH}	t _{DS}	Data Setup Time	Min	45	20		ns
t _{WHDX}	t _{DH}	Data Hold Time	Min	0			ns
t _{GHWL}	t _{GHWL}	Read Recovery Time Before Write	Min	0			ns
	t _{CAS}	CE# Setup Time to AVD#	Min	0			ns
t _{WHEH}	t _{CH}	CE# Hold Time	Min	0			ns
t _{WLWH}	t _{WP}	Write Pulse Width	Min	30			ns
t _{WHWL}	t _{WPH}	Write Pulse Width High	Min	20			ns
	t _{SR/W}	Latency Between Read and Write Operations	Min	0			ns
	t _{VID}	V _{ACC} Rise and Fall Time	Min	500			ns
	t _{VIDS}	V _{ACC} Setup Time (During Accelerated Programming)	Min	1			µs
t _{ELWL}	t _{CS}	CE# Setup Time to WE#	Min	5			ns
	t _{AVSW}	AVD# Setup Time to WE#	Min	5			ns
	t _{AVHW}	AVD# Hold Time to WE#	Min	5			ns
	t _{AVSC}	AVD# Setup Time to CLK	Min	5			ns
	t _{AVHC}	AVD# Hold Time to CLK	Min	5			ns
	t _{CSW}	Clock Setup Time to WE#	Min	5			ns
	t _{WEP}	Noise Pulse Margin on WE#	Max	3			ns
	t _{SEA}	Sector Erase Accept Time-out	Min	50			µs
	t _{ESL}	Erase Suspend Latency	Max	20			µs
	t _{PSL}	Program Suspend Latency	Max	20			µs
	t _{ASP}	Toggle Time During Erase within a Protected Sector	Typ	0			µs
	t _{PSP}	Toggle Time During Programming Within a Protected Sector	Typ	0			µs

Notes:

1. Not 100% tested.
2. Asynchronous read mode allows Asynchronous program operation only. Synchronous read mode allows both Asynchronous and Synchronous program operation.
3. In asynchronous program operation timing, addresses are latched on the falling edge of WE#. In synchronous program operation timing, addresses are latched on the rising edge of CLK.
4. See [Erase and Programming Performance on page 71](#) for more information.
5. Does not include the preprogramming time.

Figure 11.14 Chip/Sector Erase Operation Timings

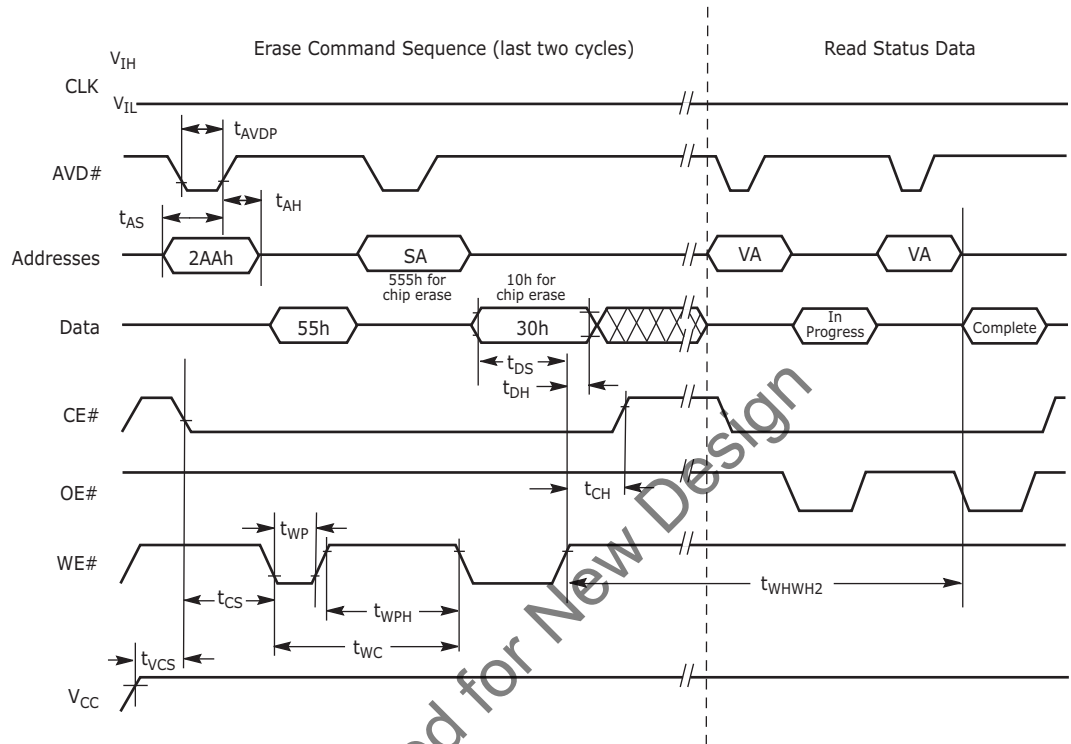
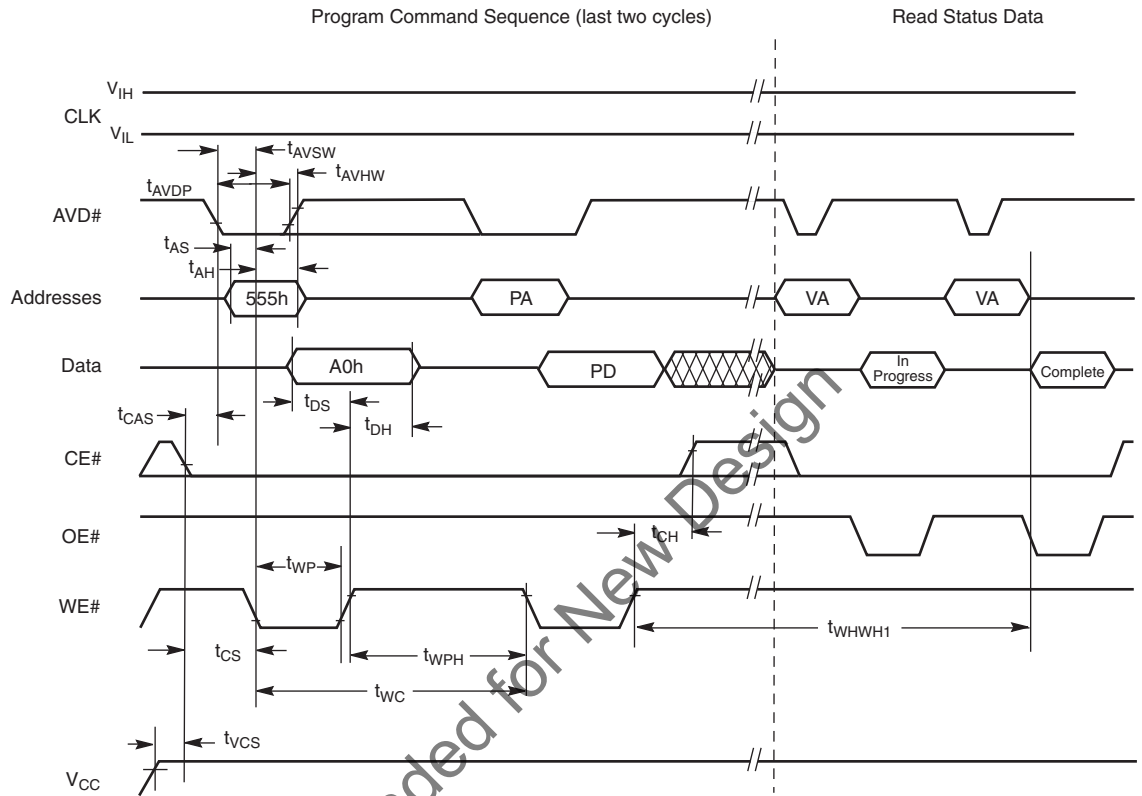


Figure 11.15 Program Operation Timing Using AVD#

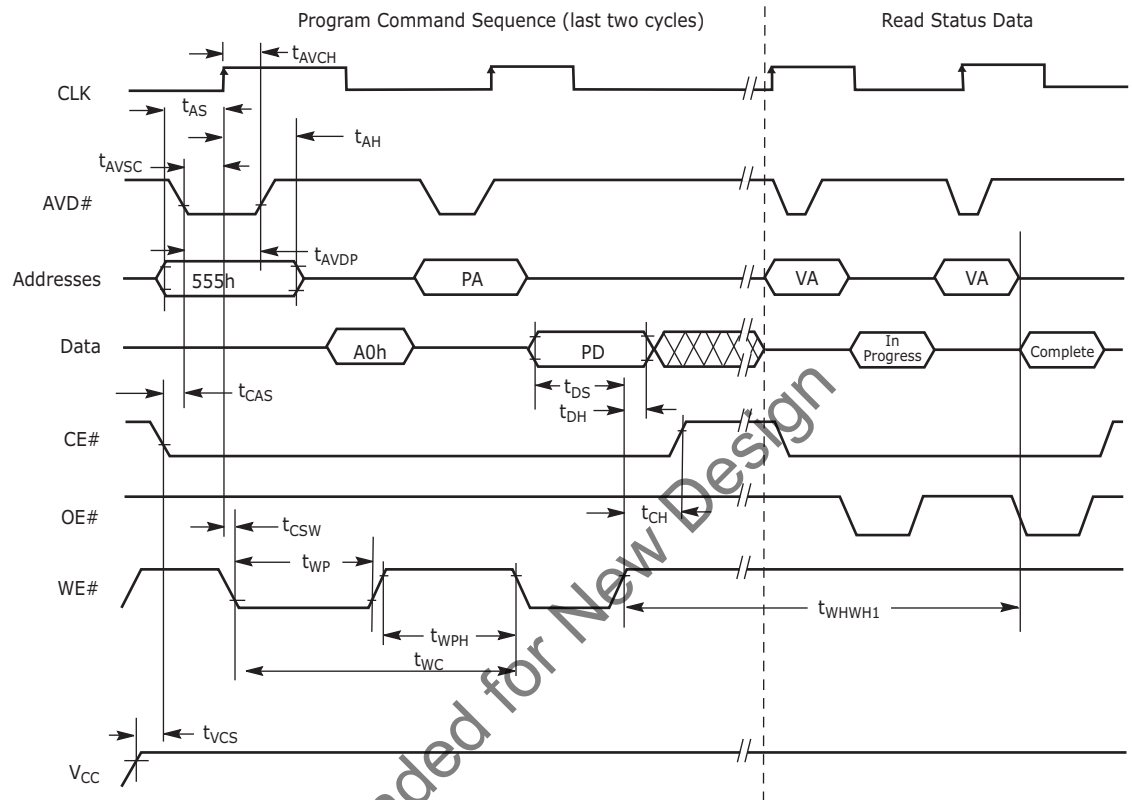


Notes:

1. PA = Program Address, PD = Program Data, VA = Valid Address for reading status bits.
2. "In progress" and "complete" refer to status of program operation.
3. A23–A14 for the WS256N (A22–A14 for the WS128N) are don't care during command sequence unlock cycles.
4. CLK can be either V_{IL} or V_{IH} .
5. The Asynchronous programming operation is independent of the Set Device Read Mode bit in the Configuration Register.

Not Recommended for New Design

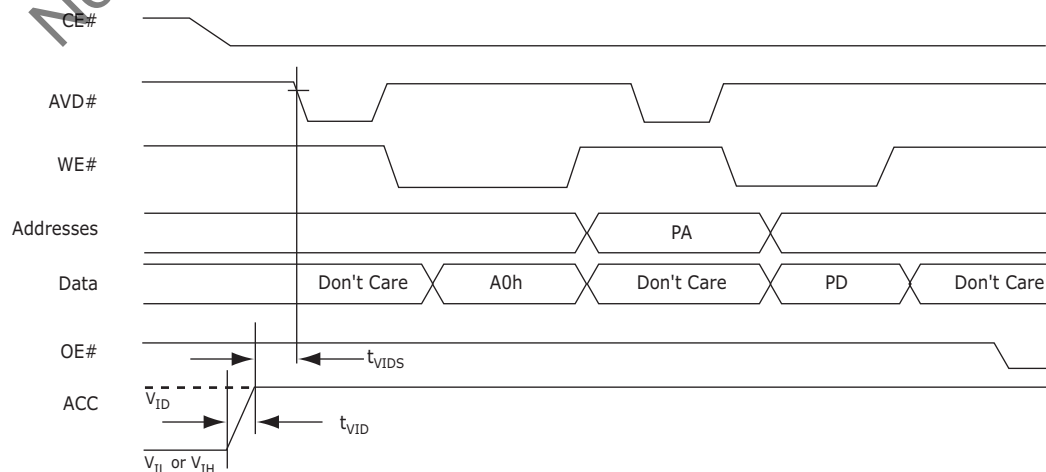
Figure 11.16 Program Operation Timing Using CLK in Relationship to AVD#



Notes:

1. PA = Program Address, PD = Program Data, VA = Valid Address for reading status bits.
2. "In progress" and "complete" refer to status of program operation.
3. A23–A14 for the WS256N (A22–A14 for the WS128N) are don't care during command sequence unlock cycles.
4. Addresses are latched on the first rising edge of CLK.
5. Either CE# or AVD# is required to go from low to high in between programming command sequences.
6. The Synchronous programming operation is dependent of the Set Device Read Mode bit in the Configuration Register. The Configuration Register must be set to the Synchronous Read Mode.

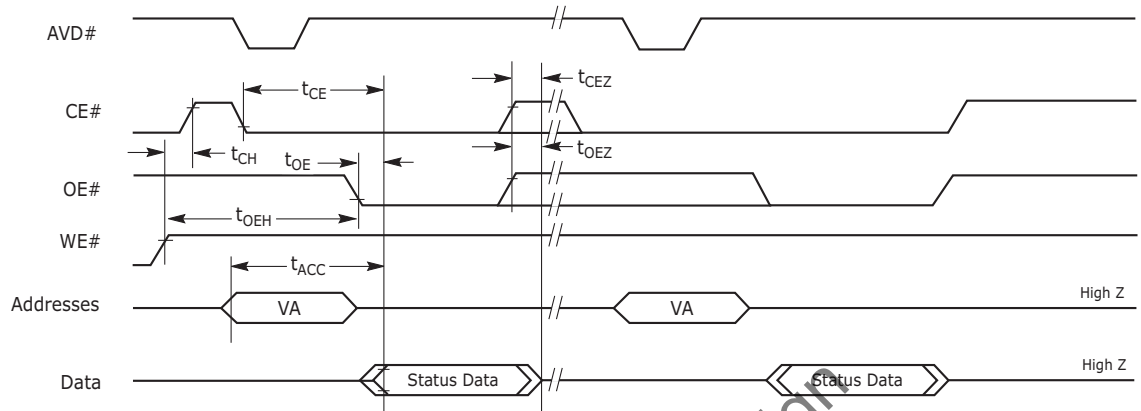
Figure 11.17 Accelerated Unlock Bypass Programming Timing



Note:

Use setup and hold times from conventional program operation.

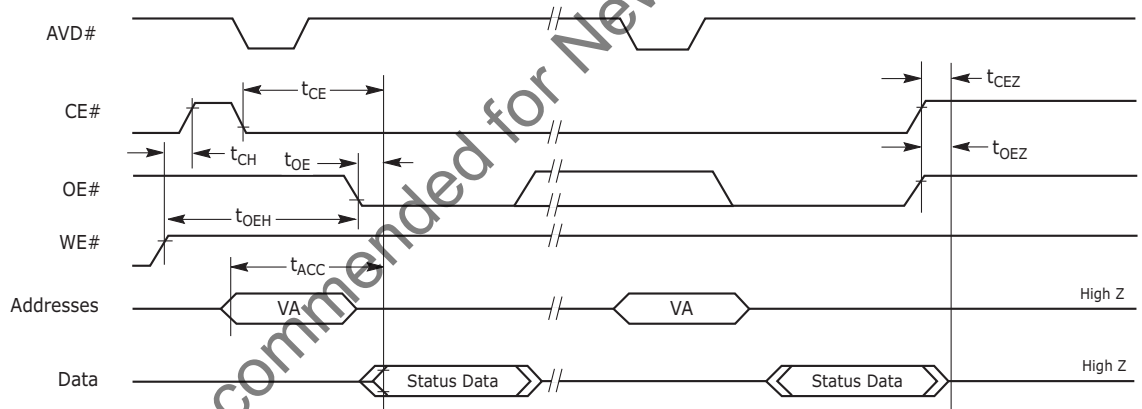
Figure 11.18 Data# Polling Timings (During Embedded Algorithm)



Notes:

1. Status reads in figure are shown as asynchronous.
2. VA = Valid Address. Two read cycles are required to determine status. When the Embedded Algorithm operation is complete, and Data# Polling outputs true data.

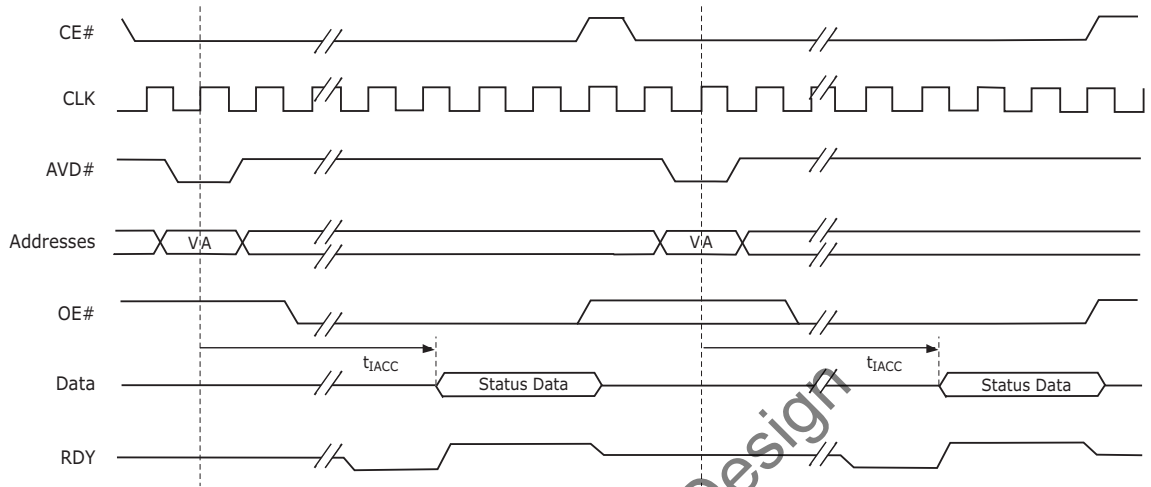
Figure 11.19 Toggle Bit Timings (During Embedded Algorithm)



Notes:

1. Status reads in figure are shown as asynchronous.
2. VA = Valid Address. Two read cycles are required to determine status. When the Embedded Algorithm operation is complete, the toggle bits stop toggling.

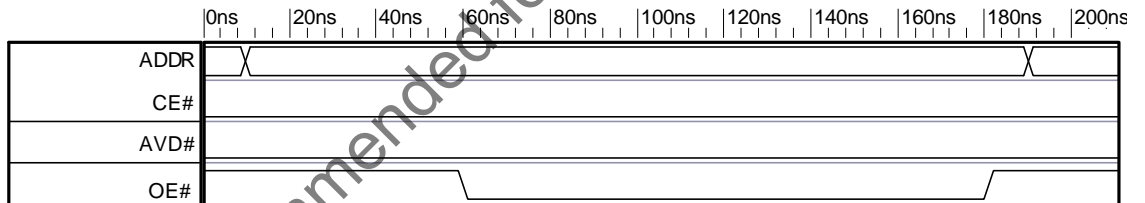
Figure 11.20 Synchronous Data Polling Timings/Toggle Bit Timings



Notes:

1. The timings are similar to synchronous read timings.
2. VA = Valid Address. Two read cycles are required to determine status. When the Embedded Algorithm operation is complete, the toggle bits stop toggling.
3. RDY is active with data (D8 = 1 in the Configuration Register). When D8 = 0 in the Configuration Register, RDY is active one clock cycle before data.

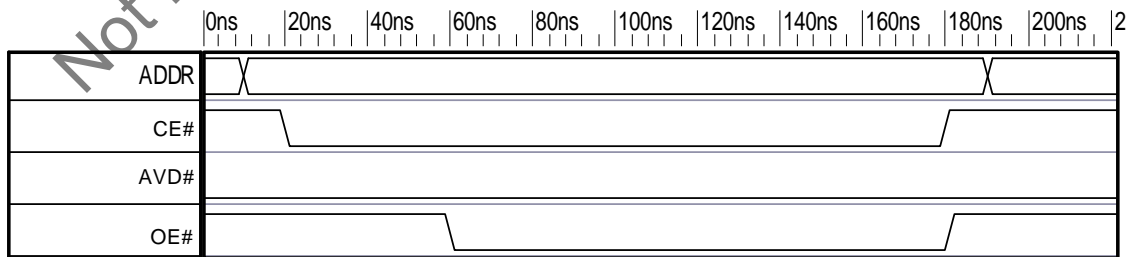
Figure 11.21 Conditions for Incorrect DQ2 Polling During Erase Suspend



Note:

DQ2 does not toggle correctly during erase suspend if AVD# or CE# are held low after valid address.

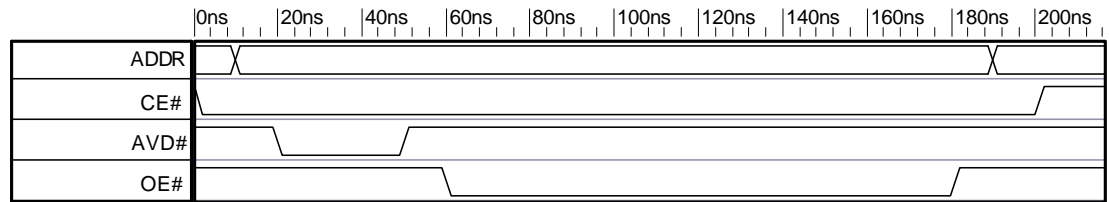
Figure 11.22 Correct DQ2 Polling during Erase Suspend #1



Note:

DQ2 polling during erase suspend behaves normally if CE# pulses low at or after valid Address, even if AVD# does not.

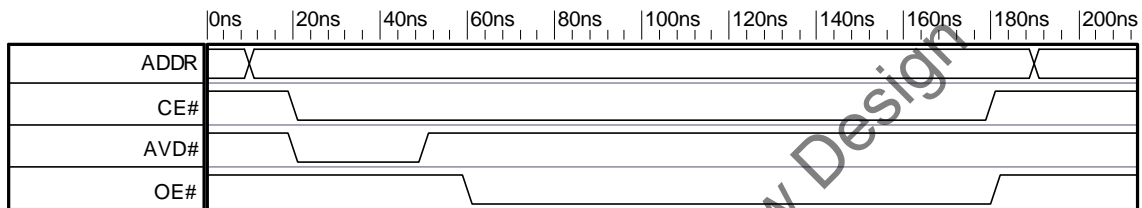
Figure 11.23 Correct DQ2 Polling during Erase Suspend #2



Note:

DQ2 polling during erase suspend behaves normally if AVD# pulses low at or after valid Address, even if CE# does not.

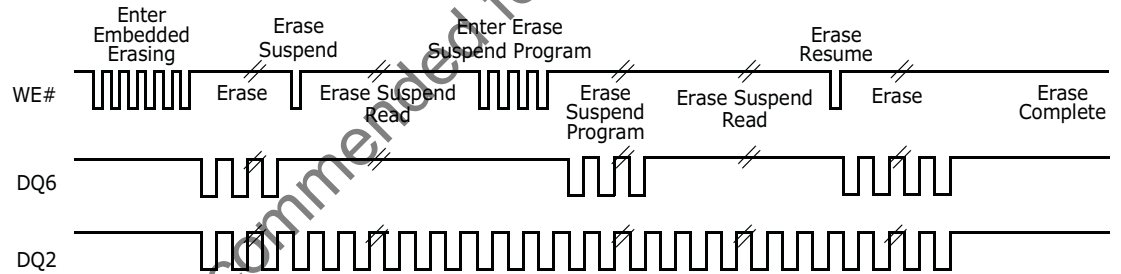
Figure 11.24 Correct DQ2 Polling during Erase Suspend #3



Note:

DQ2 polling during erase suspend behaves normally if both AVD# and CE# pulse low at or after valid Address.

Figure 11.25 DQ2 vs. DQ6

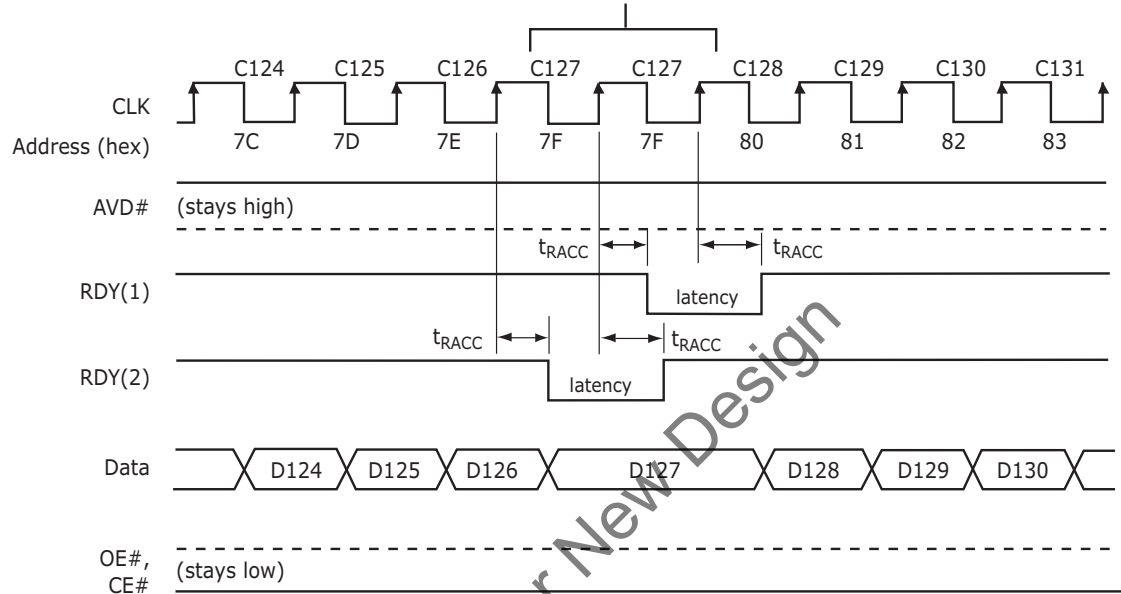


Note:

DQ2 toggles only when read at an address within an erase-suspended sector. The system may use OE# or CE# to toggle DQ2 and DQ6

Figure 11.26 Latency with Boundary Crossing when Frequency > 66 MHz

Address boundary occurs every 128 words, beginning at address 00007Fh: (0000FFh, 00017Fh, etc.) Address 000000h is also a boundary crossing.



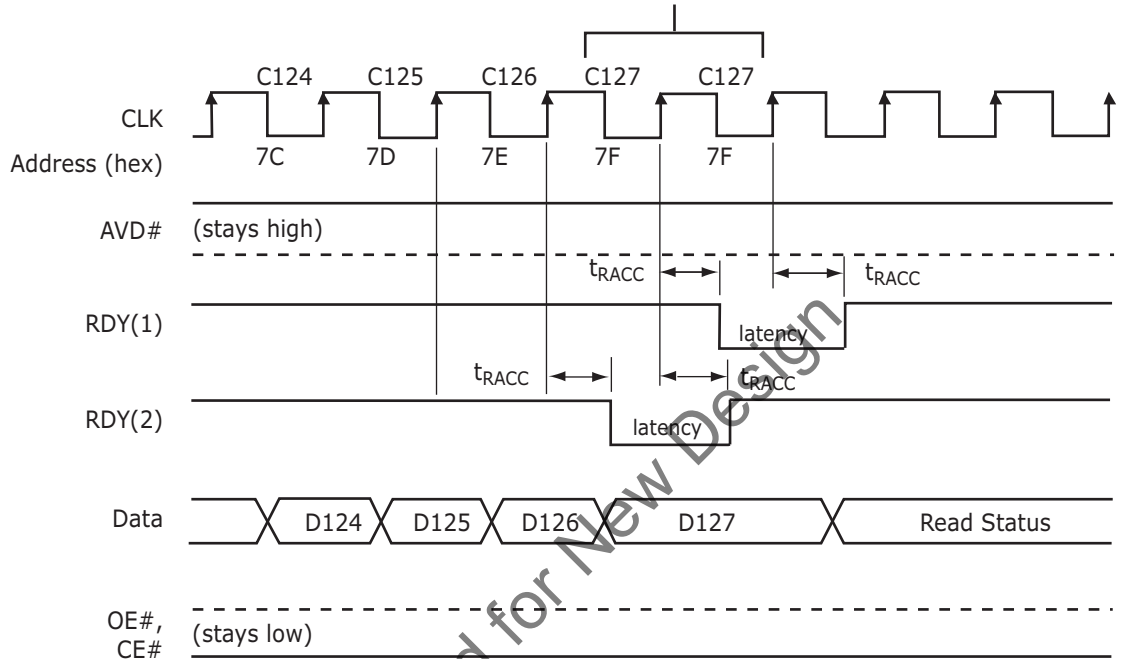
Notes:

1. RDY(1) active with data (D8 = 1 in the Configuration Register).
2. RDY(2) active one clock cycle before data (D8 = 0 in the Configuration Register).
3. Cxx indicates the clock that triggers Dxx on the outputs; for example, C60 triggers D60.
4. Figure shows the device not crossing a bank in the process of performing an erase or program.
5. RDY does not go low and no additional wait states are required for $WS \leq 5$.

Not Recommended for New Design

Figure 11.27 Latency with Boundary Crossing into Program/Erase Bank

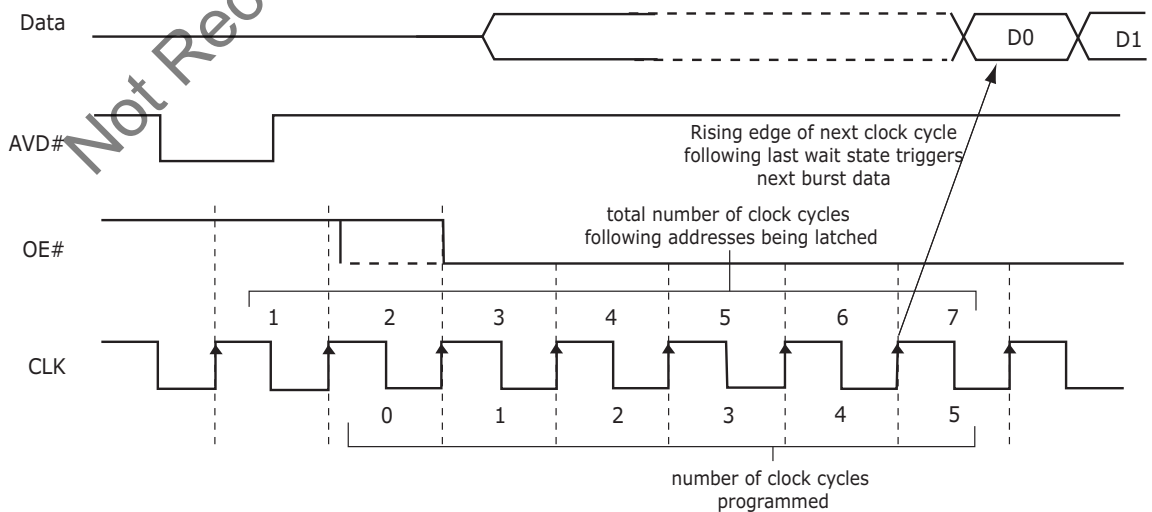
Address boundary occurs every 128 words, beginning at address 00007Fh: (0000FFh, 00017Fh, etc.) Address 000000h is also a boundary crossing.



Notes:

1. RDY(1) active with data (D8 = 1 in the Configuration Register).
2. RDY(2) active one clock cycle before data (D8 = 0 in the Configuration Register).
3. Cxx indicates the clock that triggers Dxx on the outputs; for example, C60 triggers D60.
4. Figure shows the device crossing a bank in the process of performing an erase or program.
5. RDY does not go low and no additional wait states are required for $WS \leq 5$.

Figure 11.28 Example of Wait States Insertion



Wait State Configuration Register Setup:

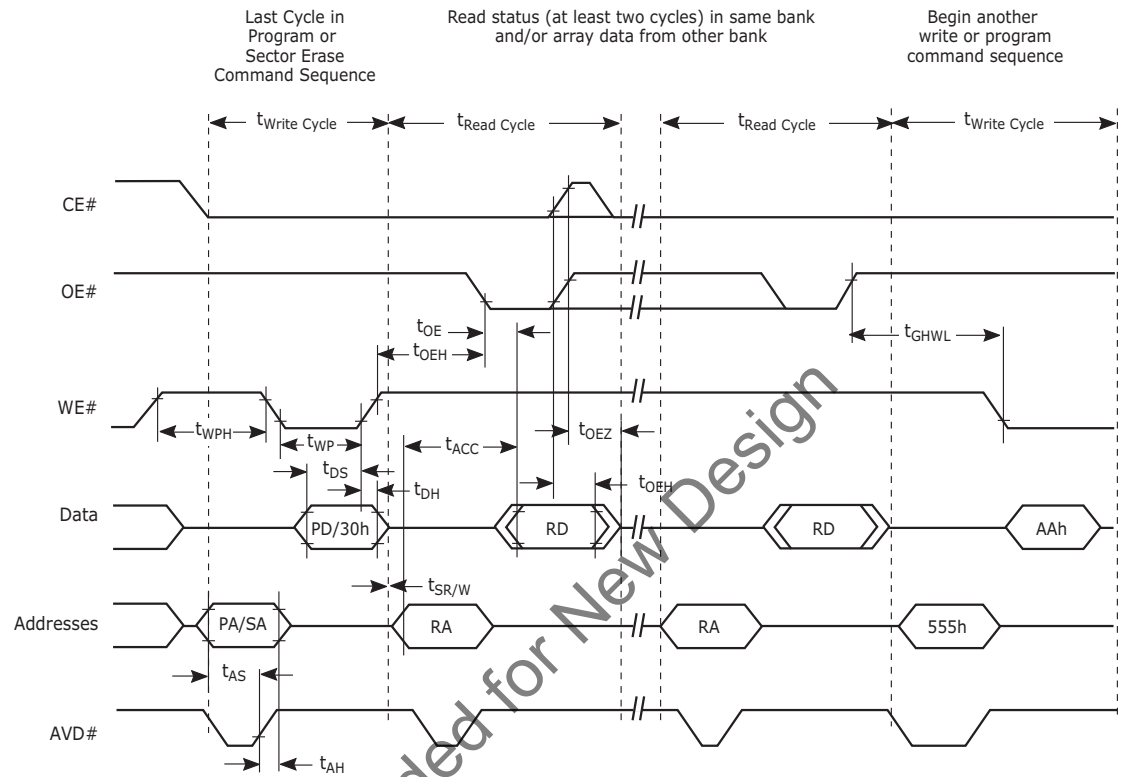
- D13, D12, D11 = "111" \Rightarrow Reserved
- D13, D12, D11 = "110" \Rightarrow Reserved
- D13, D12, D11 = "101" \Rightarrow 5 programmed, 7 total
- D13, D12, D11 = "100" \Rightarrow 4 programmed, 6 total
- D13, D12, D11 = "011" \Rightarrow 3 programmed, 5 total

Note:

Figure assumes address D0 is not at an address boundary, and wait state is set to "101".

Not Recommended for New Design

Figure 11.29 Back-to-Back Read/Write Cycle Timings



Note:

Breakpoints in waveforms indicate that system may alternately read array data from the "non-busy bank" while checking the status of the program or erase operation in the "busy" bank. The system should read status twice to ensure valid information.

Not Recommended for New Design

11.8.7 Erase and Programming Performance

Parameter			Typ (Note 1)	Max (Note 2)	Unit	Comments
Sector Erase Time	64 Kword	V _{CC}	0.6	3.5	s	
	16 Kword	V _{CC}	<0.15	2		
Chip Erase Time		V _{CC}	153.6 (WS256N) 77.4 (WS128N)	308 (WS256N) 154 (WS128N)	s	Excludes 00h programming prior to erasure (Note 4)
		ACC	130.6 (WS256N) 65.8 (WS128N)	262 (WS256N) 132 (WS128N)		
Single Word Programming Time (Note 7)		V _{CC}	40	400	μs	
		ACC	24	240		
Effective Word Programming Time utilizing Program Write Buffer		V _{CC}	9.4	94	μs	
		ACC	6	60		
Total 32-Word Buffer Programming Time		V _{CC}	300	3000	μs	
		ACC	192	1920		
Chip Programming Time (Note 3)		V _{CC}	157.3 (WS256N) 78.6 (WS128N)	314.6 (WS256N) 157.3 (WS128N)	s	Excludes system level overhead (Note 5)
		ACC	100.7 (WS256N) 50.3 (WS128N)	201.3 (WS256N) 100.7 (WS128N)		

Note:

1. Typical program and erase times assume the following conditions: 25°C, 1.8 V V_{CC}, 10,000 cycles; checkerboard data pattern.
2. Under worst case conditions of 90°C, V_{CC} = 1.70 V, 100,000 cycles.
3. Typical chip programming time is considerably less than the maximum chip programming time listed, and is based on utilizing the Write Buffer.
4. In the pre-programming step of the Embedded Erase algorithm, all words are programmed to 00h before erasure.
5. System-level overhead is the time required to execute the two- or four-bus-cycle sequence for the program command. See the Appendix on page 72 for further information on command definitions.
6. Refer to Application Note "Erase Suspend/Resume Timing" for more details.
7. Word programming specification is based upon a single word programming operation not utilizing the write buffer.

11.8.8 BGA Ball Capacitance

Parameter Symbol	Parameter Description	Test Setup	Typ.	Max	Unit
C _{IN}	Input Capacitance	V _{IN} = 0	5.3	6.3	pF
C _{OUT}	Output Capacitance	V _{OUT} = 0	5.8	6.8	pF
C _{IN2}	Control Pin Capacitance	V _{IN} = 0	6.3	7.3	pF

Notes:

1. Sampled, not 100% tested.
2. Test conditions T_A = 25°C; f = 1.0 MHz.

12. Appendix

This section contains information relating to software control or interfacing with the Flash device. For additional information and assistance regarding software, see [Additional Resources on page 9](#), or explore the Web at www.spansion.com.

Memory Array Commands

Command Sequence (Notes)		Cycles	Bus Cycles (1) (5)											
			First		Second		Third		Fourth		Fifth		Sixth	
			Addr	Data	Addr	Data	Addr	Data	Addr	Data	Addr	Data	Addr	Data
Asynchronous Read (6)		1	RA	RD										
Reset (7)		1	XXX	F0										
Auto-select (8)	Manufacturer ID	4	555	AA	2AA	55	[BA]555	90	[BA]X00	0001				
	Device ID (9)	6	555	AA	2AA	55	[BA]555	90	[BA]X01	227E	BA+X0E	Data	BA+X0F	2200
	Indicator Bits (10)	4	555	AA	2AA	55	[BA]555	90	[BA]X03	Data				
Program		4	555	AA	2AA	55	555	A0	PA	PD				
Write to Buffer (11)		6	555	AA	2AA	55	PA	25	PA	WC	PA	PD	WBL	PD
Program Buffer to Flash		1	SA	29										
Write to Buffer Abort Reset (12)		3	555	AA	2AA	55	555	F0						
Chip Erase		6	555	AA	2AA	55	555	80	555	AA	2AA	55	555	10
Sector Erase		6	555	AA	2AA	55	555	80	555	AA	2AA	55	SA	30
Erase/Program Suspend (13)		1	BA	B0										
Erase/Program Resume (14)		1	BA	30										
Set Configuration Register (18)		4	555	AA	2AA	55	555	D0	X00	CR				
Read Configuration Register		4	555	AA	2AA	55	555	C6	X00	CR				
CFI Query (15)		1	[BA]555	98										
Unlock Bypass Mode	Entry	3	555	AA	2AA	55	555	20						
	Program (16)	2	XXX	A0	PA	PD								
	CFI (16)	1	XXX	98										
	Reset	2	XXX	90	XXX	00								
Secured Silicon Sector	Entry	3	555	AA	2AA	55	555	88						
	Program (17)	4	555	AA	2AA	55	555	A0	PA	PD				
	Read (17)	1	SA	Data										
	Exit (17)	4	555	AA	2AA	55	555	90	XXX	00				

Legend:

X = Don't care

RA = Read Address

RD = Read Data

PA = Program Address. Addresses latch on the rising edge of the AVD# pulse or active edge of CLK, whichever occurs first.

PD = Program Data. Data latches on the rising edge of WE# or CE# pulse, whichever occurs first.

SA = Sector Address: WS256N = A23–A14; WS128N = A22–A14.

BA = Bank Address: WS256N = A23–A20; WS128N = A22–A20.

CR = Configuration Register data bits D15–D0

WBL = Write Buffer Location. Address must be within the same write buffer page as PA.

WC = Word Count. Number of write buffer locations to load minus 1.

Notes:

- See [Table on page 12](#) for description of bus operations.
- All values are in hexadecimal.
- Shaded cells indicate read cycles.
- Address and data bits not specified in table, legend, or notes are don't cares (each hex digit implies 4 bits of data).
- Writing incorrect address and data values or writing them in the improper sequence may place the device in an unknown state. The system must write the reset command to return the device to reading array data.
- No unlock or command cycles required when bank is reading array data.

7. Reset command is required to return to reading array data (or to the erase-suspend-read mode if previously in Erase Suspend) when a bank is in the autoselect mode, or if DQ5 goes high (while the bank is providing status information) or performing sector lock/unlock.
8. The system must provide the bank address. See [Autoselect on page 18](#) for more information.
9. Data in cycle 5 is 2230 (WS256N) or 2231 (WS128N).
10. See [Table on page 18](#) for indicator bit values.
11. Total number of cycles in the command sequence is determined by the number of words written to the write buffer.
12. Command sequence resets device for next command after write-to-buffer operation.
13. System may read and program in non-erasing sectors, or enter the autoselect mode, when in the Erase Suspend mode. The Erase Suspend command is valid only during a sector erase operation, and requires the bank address.
14. Erase Resume command is valid only during the Erase Suspend mode, and requires the bank address.
15. Command is valid when device is ready to read array data or when device is in autoselect mode. Address equals 55h on all future devices, but 555h for WS256N/128N.
16. Requires Entry command sequence prior to execution. Unlock Bypass Reset command is required to return to reading array data.
17. Requires Entry command sequence prior to execution. Secured Silicon Sector Exit Reset command is required to exit this mode; device may otherwise be placed in an unknown state.
18. Requires reset command to configure the Configuration Register.

Figure 12.1 Sector Protection Commands

Command Sequence (Notes)		Cycles	Bus Cycles (1)(4)													
			First		Second		Third		Fourth		Fifth		Sixth		Seventh	
			Addr	Data	Addr	Data	Addr	Data	Addr	Data	Addr	Data	Addr	Data	Addr	Data
Lock Register Bits	Command Set Entry (5)	3	555	AA	2AA	55	555	40								
	Program (6) (12)	2	XX	A0	77/00	data										
	Read (6)	1	77	data												
	Command Set Exit (7)	2	XX	90	XX	00										
Password Protection	Command Set Entry (5)	3	555	AA	2AA	55	555	60								
	Program [0-3] (8)	2	XX	A0	00	PWD[0-3]										
	Read (9)	4	0...00	PWD 0	0...01	PWD1	0...02	PWD 2	0...03	PWD 3						
	Unlock	7	00	25	00	03	00	PWD 0	01	PWD 1	02	PWD 2	03	PWD 3	00	29
	Command Set Exit (7)	2	XX	90	XX	00										
Non-Volatile Sector Protection (PPB)	Command Set Entry (5)	3	555	AA	2AA	55	[BA]55 5	C0								
	PPB Program (10)	2	XX	A0	SA	00										
	All PPB Erase (10) (11)	2	XX	80	00	30										
	PPB Status Read	1	SA	RD(0)												
	Command Set Exit (7)	2	XX	90	XX	00										
Global Volatile Sector Protection Freeze (PPB Lock)	Command Set Entry (5)	3	555	AA	2AA	55	[BA]55 5	50								
	PPB Lock Bit Set	2	XX	A0	XX	00										
	PPB Lock Bit Status Read	1	BA	RD(0)												
	Command Set Exit (7)	2	XX	90	XX	00										
Volatile Sector Protection (DYB)	Command Set Entry (5)	3	555	AA	2AA	55	[BA]55 5	E0								
	DYB Set	2	XX	A0	SA	00										
	DYB Clear	2	XX	A0	SA	01										
	DYB Status Read	1	SA	RD(0)												
	Command Set Exit (7)	2	XX	90	XX	00										

Legend:

X = Don't care

RA = Address of the memory location to be read

PD(0) = Secured Silicon Sector Lock Bit. PD(0), or bit[0].

PD(1) = Persistent Protection Mode Lock Bit. PD(1), or bit[1], must be set to '0' for protection while PD(2), bit[2] must be left as '1'. PD(2) = Password Protection Mode Lock Bit. PD(2), or bit[2], must be set to '0' for protection while PD(1), bit[1] must be left as '1'.

PD(3) = Protection Mode OTP Bit. PD(3) or bit[3].

SA = Sector Address. WS256N = A23–A14; WS128N = A22–A14.

BA = Bank Address. WS256N = A23–A20; WS128N = A22–A20.

PWD3–PWD0 = Password Data. PD3–PD0 present four 16 bit combinations that represent the 64-bit Password

PWA = Password Address. Address bits A1 and A0 are used to select each 16-bit portion of the 64-bit entity.

PWD = Password Data. RD(0), RD(1), RD(2) = DQ0, DQ1, or DQ2 protection indicator bit. If protected, DQ0, DQ1, or DQ2 = 0. If unprotected, DQ0, DQ1, DQ2 = 1.

Notes:

1. All values are in hexadecimal.
2. Shaded cells indicate read cycles.
3. Address and data bits not specified in table, legend, or notes are don't cares (each hex digit implies 4 bits of data).
4. Writing incorrect address and data values or writing them in the improper sequence may place the device in an unknown state. The system must write the reset command to return the device to reading array data.
5. Entry commands are required to enter a specific mode to enable instructions only available within that mode.
6. If both the Persistent Protection Mode Locking Bit and the Password Protection Mode Locking Bit are set at the same time, the command operation aborts and returns the device to the default Persistent Sector Protection Mode during 2nd bus cycle. Note that on all future devices, addresses equal 00h, but is currently 77h for the WS256N only. See [Table on page 42](#) and [Table on page 46](#) for explanation of lock bits.
7. Exit command must be issued to reset the device into read mode; device may otherwise be placed in an unknown state.
8. Entire two bus-cycle sequence must be entered for each portion of the password.
9. Full address range is required for reading password.
10. See [Figure 8.2 on page 43](#) for details.
11. "All PPB Erase" command pre-programs all PPBs before erasure to prevent over-erasure.
12. The second cycle address for the lock register program operation is 77 for S29WS256N; however, for WS128N this address is 00.

Not Recommended for New Design

12.1 Common Flash Memory Interface

The Common Flash Interface (CFI) specification outlines device and host system software interrogation handshake, which allows specific vendor-specified software algorithms to be used for entire families of devices. Software support can then be device-independent, JEDEC ID-independent, and forward- and back-ward-compatible for the specified flash device families. Flash vendors can standardize their existing interfaces for long-term compatibility.

This device enters the CFI Query mode when the system writes the CFI Query command, 98h, to address (BA)555h any time the device is ready to read array data. The system can read CFI information at the addresses given in [Table on page 75](#) to [Table on page 76](#)) within that bank. All reads outside of the CFI address range, within the bank, returns non-valid data. Reads from other banks are allowed, writes are not. To terminate reading CFI data, the system must write the reset command.

The following is a C source code example of using the CFI Entry and Exit functions. Refer to the *Spansion Low Level Driver User's Guide* (available on www.amd.com and www.fujitsu.com) for general information on Spansion Flash memory software development guidelines.

```
/* Example: CFI Entry command */
*( ( UINT16 *)bank_addr + 0x555 ) = 0x0098; /* write CFI entry command */

/* Example: CFI Exit command */
*( ( UINT16 *)bank_addr + 0x000 ) = 0x00F0; /* write cfi exit command */
```

For further information, please refer to the CFI Specification (see JEDEC publications JEP137-A and JESD68.01 and CFI Publication 100). Please contact your sales office for copies of these documents.

CFI Query Identification String

Addresses	Data	Description
10h 11h 12h	0051h 0052h 0059h	Query Unique ASCII string "QRY"
13h 14h	0002h 0000h	Primary OEM Command Set
15h 16h	0040h 0000h	Address for Primary Extended Table
17h 18h	0000h 0000h	Alternate OEM Command Set (00h = none exists)
19h 1Ah	0000h 0000h	Address for Alternate OEM Extended Table (00h = none exists)

System Interface String

Addresses	Data	Description
1Bh	0017h	V _{CC} Min. (write/erase) D7–D4: volt, D3–D0: 100 millivolt
1Ch	0019h	V _{CC} Max. (write/erase) D7–D4: volt, D3–D0: 100 millivolt
1Dh	0000h	V _{PP} Min. voltage (00h = no V _{PP} pin present)
1Eh	0000h	V _{PP} Max. voltage (00h = no V _{PP} pin present)
1Fh	0006h	Typical timeout per single byte/word write 2 ^N μs
20h	0009h	Typical timeout for Min. size buffer write 2 ^N μs (00h = not supported)
21h	000Ah	Typical timeout per individual block erase 2 ^N ms
22h	0000h	Typical timeout for full chip erase 2 ^N ms (00h = not supported)
23h	0004h	Max. timeout for byte/word write 2 ^N times typical
24h	0004h	Max. timeout for buffer write 2 ^N times typical
25h	0003h	Max. timeout per individual block erase 2 ^N times typical
26h	0000h	Max. timeout for full chip erase 2 ^N times typical (00h = not supported)

Device Geometry Definition

Addresses	Data	Description
27h	0019h (WS256N) 0018h (WS128N)	Device Size = 2 ^N byte
28h 29h	0001h 0000h	Flash Device Interface description
2Ah 2Bh	0006h 0000h	Max. number of bytes in multi-byte write = 2 ^N (00h = not supported)
2Ch	0003h	Number of Erase Block Regions within device
2Dh 2Eh 2Fh 30h	0003h 0000h 0080h 0000h	Erase Block Region 1 Information
31h	00FDh (WS256N) 007Dh (WS128N)	Erase Block Region 2 Information
32h 33h 34h	0000h 0000h 0002h	
35h 36h 37h 38h	0003h 0000h 0080h 0000h	
39h 3Ah 3Bh 3Ch	0000h 0000h 0000h 0000h	Erase Block Region 4 Information

Primary Vendor-Specific Extended Query (Sheet 1 of 2)

Addresses	Data	Description
40h 41h 42h	0050h 0052h 0049h	Query-unique ASCII string "PRI"
43h	0031h	Major version number, ASCII
44h	0034h	Minor version number, ASCII
45h	0100h	Address Sensitive Unlock (Bits 1-0) 0 = Required, 1 = Not Required Silicon Technology (Bits 5-2) 0100 = 0.11 μm
46h	0002h	Erase Suspend 0 = Not Supported, 1 = To Read Only, 2 = To Read & Write
47h	0001h	Sector Protect 0 = Not Supported, X = Number of sectors in per group
48h	0000h	Sector Temporary Unprotect 00 = Not Supported, 01 = Supported
49h	0008h	Sector Protect/Unprotect scheme 08 = Advanced Sector Protection
4Ah	00F3h (WS256N) 007Bh (WS128N)	Simultaneous Operation Number of Sectors in all banks except boot bank
4Bh	0001h	Burst Mode Type 00 = Not Supported, 01 = Supported
4Ch	0000h	Page Mode Type 00 = Not Supported, 01 = 4 Word Page, 02 = 8 Word Page, 04 = 16 Word Page
4Dh	0085h	ACC (Acceleration) Supply Minimum 00h = Not Supported, D7-D4: Volt, D3-D0: 100 mV
4Eh	0095h	ACC (Acceleration) Supply Maximum 00h = Not Supported, D7-D4: Volt, D3-D0: 100 mV
4Fh	0001h	Top/Bottom Boot Sector Flag 0001h = Dual Boot Device

Primary Vendor-Specific Extended Query (Sheet 2 of 2)

Addresses	Data	Description
50h	0001h	Program Suspend. 00h = not supported
51h	0001h	Unlock Bypass 00 = Not Supported, 01=Supported
52h	0007h	Secured Silicon Sector (Customer OTP Area) Size 2 ^N bytes
53h	0014h	Hardware Reset Low Time-out during an embedded algorithm to read mode Maximum 2 ^N ns
54h	0014h	Hardware Reset Low Time-out not during an embedded algorithm to read mode Maximum 2 ^N ns
55h	0005h	Erase Suspend Time-out Maximum 2 ^N ns
56h	0005h	Program Suspend Time-out Maximum 2 ^N ns
57h	0010h	Bank Organization: X = Number of banks
58h	0013h (WS256N) 000Bh (WS128N)	Bank 0 Region Information. X = Number of sectors in bank
59h	0010h (WS256N) 0008h (WS128N)	Bank 1 Region Information. X = Number of sectors in bank
5Ah	0010h (WS256N) 0008h (WS128N)	Bank 2 Region Information. X = Number of sectors in bank
5Bh	0010h (WS256N) 0008h (WS128N)	Bank 3 Region Information. X = Number of sectors in bank
5Ch	0010h (WS256N) 0008h (WS128N)	Bank 4 Region Information. X = Number of sectors in bank
5Dh	0010h (WS256N) 0008h (WS128N)	Bank 5 Region Information. X = Number of sectors in bank
5Eh	0010h (WS256N) 0008h (WS128N)	Bank 6 Region Information. X = Number of sectors in bank
5Fh	0010h (WS256N) 0008h (WS128N)	Bank 7 Region Information. X = Number of sectors in bank
60h	0010h (WS256N) 0008h (WS128N)	Bank 8 Region Information. X = Number of sectors in bank
61h	0010h (WS256N) 0008h (WS128N)	Bank 9 Region Information. X = Number of sectors in bank
62h	0010h (WS256N) 0008h (WS128N)	Bank 10 Region Information. X = Number of sectors in bank
63h	0010h (WS256N) 0008h (WS128N)	Bank 11 Region Information. X = Number of sectors in bank
64h	0010h (WS256N) 0008h (WS128N)	Bank 12 Region Information. X = Number of sectors in bank
65h	0010h (WS256N) 0008h (WS128N)	Bank 13 Region Information. X = Number of sectors in bank
66h	0010h (WS256N) 0008h (WS128N)	Bank 14 Region Information. X = Number of sectors in bank
67h	0013h (WS256N) 000Bh (WS128N)	Bank 15 Region Information. X = Number of sectors in bank

13. Document History Page

Document Title: S29WS256N, S29WS128N 256/128 Mbit (16/8 M x 16 bit), 1.8 V, Simultaneous Read/Write, Burst Flash Document Number: 002-01825				
Rev.	ECN No.	Orig. of Change	Submission Date	Description of Change
**	-	RYSU	10/29/2004	Span sion Publication Number: S29WS-N_00 F:Global Data sheet completely revised. Changed arrangement of sections; edited explanatory text, added flowcharts. This document supersedes Revision E+1, issued August 9, 2004; only the changes specified for Revision F in this section affect the document or device. All other device specifications remain the same as presented in Revision E+1. Deleted product selector guide. 11.8.2, Synchronous/Burst Read: Deleted tAAS and tAAH from table. Modified Note 1. Table 12.4, System Interface String: Changed data at address 23h from 0003h to 0004h
**	-	RYSU	01/27/2005	G:Global Updated tIACC, tBACC, tOE, CFI address 4Ah, and the Configuration Register. Added PPB Program/Erase Algorithm
**	-	RYSU	07/08/2005	H:Global All references to VIO changed to VCC. Removed all references to the S29WS064N Changed CR14 to Reserved. It is pre-programmed at the factory Updated: tASP, tPSP, ICC1, ICC3, ICC4, ICC6 specifications Removed tAOE and added fMIN specifications Updated address latency tables
**	-	RYSU	12/03/2005	I:Global Added Page Mode Read information Revised tRACC from 9 to 8.5 ns and tAVD from 8 to 7 ns Incorporated specification bulletin's changes, clarifications and errata Added the 128 Mbit 80 MHz OPN and revised from Advanced to Preliminary Specifications
**	-	RYSU	07/05/2006	I1:Program/Erase Operations Revised wording Software Reset Revised section Hardware Data Protection Methods Revised wording
**	-	RYSU	11/10/2006	I2:Erase/Program Timing Updated tSEA to Min
*A	5049277	RYSU	01/05/2016	Updated to Cypress template
*B	5074595	RYSU	01/08/2016	Added a note in blue font in page 1 showing the suggested replacement parts. Removed 'Advance' from the Datasheet Header. Removed Span sion Revision History.



Sales, Solutions, and Legal Information

Worldwide Sales and Design Support

Cypress maintains a worldwide network of offices, solution centers, manufacturer’s representatives, and distributors. To find the office closest to you, visit us at [Cypress Locations](#).

Products

- [Automotive](#).....[cypress.com/go/automotive](#)
- [Clocks & Buffers](#) [cypress.com/go/clocks](#)
- [Interface](#)..... [cypress.com/go/interface](#)
- [Lighting & Power Control](#).....[cypress.com/go/powerpsoc](#)
- [Memory](#)..... [cypress.com/go/memory](#)
- [PSoC](#)[cypress.com/go/psoc](#)
- [Touch Sensing](#) [cypress.com/go/touch](#)
- [USB Controllers](#).....[cypress.com/go/USB](#)
- [Wireless/RF](#) [cypress.com/go/wireless](#)

PSoC® Solutions

- [psoc.cypress.com/solutions](#)
- [PSoC 1](#) | [PSoC 3](#) | [PSoC 4](#) | [PSoC 5LP](#)

Cypress Developer Community

- [Community](#) | [Forums](#) | [Blogs](#) | [Video](#) | [Training](#)

Technical Support

- [cypress.com/go/support](#)

Not Recommended for New Design

© Cypress Semiconductor Corporation, 2004-2016. The information contained herein is subject to change without notice. Cypress Semiconductor Corporation assumes no responsibility for the use of any circuitry other than circuitry embodied in a Cypress product. Nor does it convey or imply any license under patent or other rights. Cypress products are not warranted nor intended to be used for medical, life support, life saving, critical control or safety applications, unless pursuant to an express written agreement with Cypress. Furthermore, Cypress does not authorize its products for use as critical components in life-support systems where a malfunction or failure may reasonably be expected to result in significant injury to the user. The inclusion of Cypress products in life-support systems application implies that the manufacturer assumes all risk of such use and in doing so indemnifies Cypress against all charges.

Any Source Code (software and/or firmware) is owned by Cypress Semiconductor Corporation (Cypress) and is protected by and subject to worldwide patent protection (United States and foreign), United States copyright laws and international treaty provisions. Cypress hereby grants to licensee a personal, non-exclusive, non-transferable license to copy, use, modify, create derivative works of, and compile the Cypress Source Code and derivative works for the sole purpose of creating custom software and or firmware in support of licensee product to be used only in conjunction with a Cypress integrated circuit as specified in the applicable agreement. Any reproduction, modification, translation, compilation, or representation of this Source Code except as specified above is prohibited without the express written permission of Cypress.

Disclaimer: CYPRESS MAKES NO WARRANTY OF ANY KIND, EXPRESS OR IMPLIED, WITH REGARD TO THIS MATERIAL, INCLUDING, BUT NOT LIMITED TO, THE IMPLIED WARRANTIES OF MERCHANTABILITY AND FITNESS FOR A PARTICULAR PURPOSE. Cypress reserves the right to make changes without further notice to the materials described herein. Cypress does not assume any liability arising out of the application or use of any product or circuit described herein. Cypress does not authorize its products for use as critical components in life-support systems where a malfunction or failure may reasonably be expected to result in significant injury to the user. The inclusion of Cypress’ product in a life-support systems application implies that the manufacturer assumes all risk of such use and in doing so indemnifies Cypress against all charges.

Use may be limited by and subject to the applicable Cypress software license agreement.

Looking for pricing, stock, or lifecycle information?

Click below to explore more details on WIN SOURCE:

 [View S29WS128N0SBFW013 on WIN SOURCE](#)

 [Infineon Technologies](#) Information

Optimize Your Supply Chain with WIN SOURCE Solutions

-  Global Sourcing Solution
-  Obsolete Management
-  Cost Control Management
-  Shortage Management
-  Alternative Solution
-  Excess Inventory Management