



**THE DATASHEET OF
CY7C4241-10AXC**



64/256/512/1K/2K/4K/8K x 9
Synchronous FIFOs

Features

- High speed, low power, First-In First-Out (FIFO) memories
 - 64 x 9 (CY7C4421)
 - 256 x 9 (CY7C4201)
 - 512 x 9 (CY7C4211)
 - 1K x 9 (CY7C4221)
 - 2K x 9 (CY7C4231)
 - 4K x 9 (CY7C4241)
 - 8K x 9 (CY7C4251)
- High speed 100 MHz operation (10 ns read/write cycle time)
- Low power ($I_{CC} = 35 \text{ mA}$)
- Fully asynchronous and simultaneous read and write operation
- Empty, Full, and Programmable Almost Empty and Almost Full status flags
- TTL-compatible
- Expandable in width
- Output Enable (\overline{OE}) pin
- Independent read and write enable pins
- Center power and ground pins for reduced noise
- Width-expansion capability
- Space saving 7 mm x 7 mm 32-pin TQFP

- Pin-compatible and functionally equivalent to IDT72421, 72201, 72211, 72221, 72231, and 72241
- Pb-free Packages Available

Functional Description

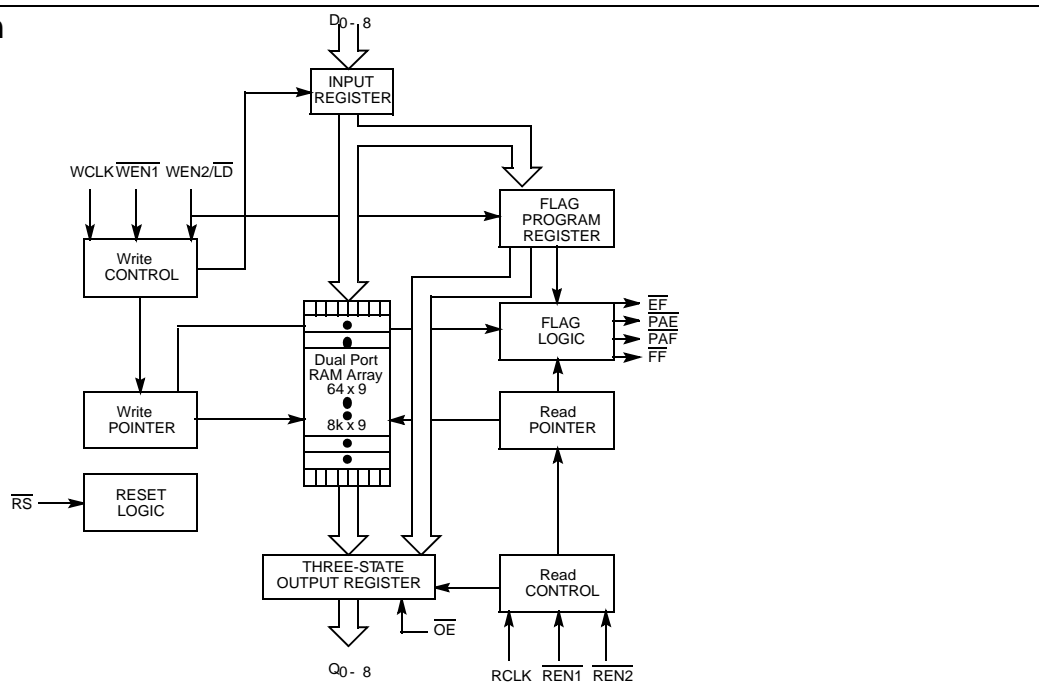
The CY7C42X1 are high speed, low power FIFO memories with clocked read and write interfaces. All are 9 bits wide. The CY7C42X1 are pin-compatible to IDT722X1. Programmable features include Almost Full/Almost Empty flags. These FIFOs provide solutions for a wide variety of data buffering needs, including high speed data acquisition, multiprocessor interfaces, and communications buffering.

These FIFOs have 9-bit input and output ports that are controlled by separate clock and enable signals. The input port is controlled by a free-running clock (WCLK) and two write-enable pins (WEN1, WEN2/LD).

When $\overline{WEN1}$ is LOW and $\overline{WEN2/LD}$ is HIGH, data is written into the FIFO on the rising edge of the WCLK signal. While WEN1, WEN2/LD is held active, data is continually written into the FIFO on each WCLK cycle. The output port is controlled in a similar manner by a free-running read clock (RCLK) and two read-enable pins ($\overline{REN1}$, $\overline{REN2}$). In addition, the CY7C42X1 has an output enable pin (\overline{OE}). The Read (RCLK) and Write (WCLK) clocks can be tied together for single-clock operation or the two clocks can run independently for asynchronous read/write applications. Clock frequencies up to 100 MHz are achievable.

Depth expansion is possible using one enable input for system control, while the other enable is controlled by expansion logic to direct the flow of data.

Logic Block Diagram



Contents

Features	1	Operating Range	9
Functional Description	1	Electrical Characteristics Over the Operating Range	9
Logic Block Diagram	1	Capacitance[9]	9
Contents	2	Switching Characteristics Over the Operating Range ..	10
Selection Guide	3	Switching Waveforms	11
Pin Configuration	3	Typical AC and DC Characteristics	17
Functional Description	5	256 x 9 Synchronous FIFO	18
Architecture	5	1K x 9 Synchronous FIFO	18
Resetting the FIFO	5	2K x 9 Synchronous FIFO	18
FIFO Operation	5	4K x 9 Synchronous FIFO	18
Programming	5	8K x 9 Synchronous FIFO	18
Programmable Flag (\overline{PAE} , \overline{PAF}) Operation	7	Package Diagrams	19
Width Expansion Configuration	8	Document History Page	20
Flag Operation	8	Sales, Solutions, and Legal Information	20
Full Flag	8	Worldwide Sales and Design Support	20
Empty Flag	8	Products	20
Maximum Ratings ^[4]	9	PSoC Solutions	20

Selection Guide

Description		-10	-15	-25	Unit
Maximum Frequency		100	66.7	40	MHz
Maximum Access Time		8	10	15	ns
Minimum Cycle Time		10	15	25	ns
Minimum Data or Enable Setup		3	4	6	ns
Minimum Data or Enable Hold		0.5	1	1	ns
Maximum Flag Delay		8	10	15	ns
Active Power Supply Current	Commercial	35	35	35	ICC1
	Industrial	40	40	40	

	CY7C4421	CY7C4201	CY7C4211	CY7C4221	CY7C4231	CY7C4241	CY7C4251
Density	64 × 9	256 × 9	512 × 9	1K × 9	2K × 9	4K × 9	8K × 9

Pin Configuration

Figure 1. Pin Diagram

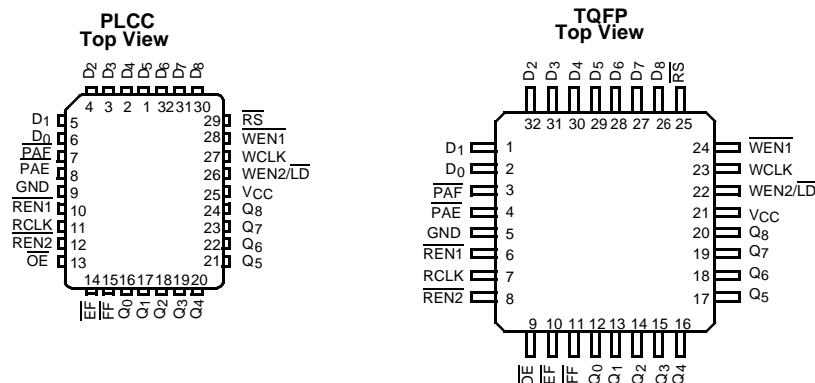


Table 1. Pin Definitions

Pin	Name	I/O	Description
D ₀₋₈	Data Inputs	I	Data inputs for 9-bit bus.
Q ₀₋₈	Data Outputs	O	Data outputs for 9-bit bus.
WEN1	Write Enable 1	I	The only write enable to have programmable flags when device is configured. Data is written on a LOW-to-HIGH transition of WCLK when WEN1 is asserted and FF is HIGH. If the FIFO is configured to have two write enables, data is written on a LOW-to-HIGH transition of WCLK when WEN1 is LOW and WEN2/LD and FF are HIGH.
WEN2/LD Dual Mode Pin	Write Enable 2	I	If HIGH at reset, this pin operates as a second write enable. If LOW at reset, this pin operates as a control to write or read the programmable flag offsets. WEN1 must be LOW and WEN2 must be HIGH to write data into the FIFO. Data is not written into the FIFO if the FF is LOW. If the FIFO is configured to have programmable flags, WEN2/LD is held LOW to write or read the programmable flag offsets.
	Load	I	
REN1, REN2	Read Enable Inputs	I	Enables device for read operation.
WCLK	Write Clock	I	The rising edge clocks data into the FIFO when WEN1 is LOW, WEN2/LD is HIGH, and the FIFO is not Full. When LD is asserted, WCLK writes data into the programmable flag-offset register.

Table 1. Pin Definitions (continued)

Pin	Name	I/O	Description
RCLK	Read Clock	I	The rising edge clocks data out of the FIFO when $\overline{\text{REN1}}$ and $\overline{\text{REN2}}$ are LOW and the FIFO is not Empty. When $\overline{\text{WEN2/LD}}$ is LOW, RCLK reads data out of the programmable flag-offset register.
$\overline{\text{EF}}$	Empty Flag	O	When $\overline{\text{EF}}$ is LOW, the FIFO is empty. $\overline{\text{EF}}$ is synchronized to RCLK.
$\overline{\text{FF}}$	Full Flag	O	When $\overline{\text{FF}}$ is LOW, the FIFO is full. $\overline{\text{FF}}$ is synchronized to WCLK.
$\overline{\text{PAE}}$	Programmable Almost Empty	O	When $\overline{\text{PAE}}$ is LOW, the FIFO is almost empty based on the almost empty offset value programmed into the FIFO.
$\overline{\text{PAF}}$	Programmable Almost Full	O	When $\overline{\text{PAF}}$ is LOW, the FIFO is almost full based on the almost full offset value programmed into the FIFO.
$\overline{\text{RS}}$	Reset	I	Resets device to empty condition. A reset is required before an initial read or write operation after power up.
$\overline{\text{OE}}$	Output Enable	I	When $\overline{\text{OE}}$ is LOW, the FIFO's data outputs drive the bus to which they are connected. If OE is HIGH, the FIFO's outputs are in High-Z (high-impedance) state.

Functional Description

The CY7C42X1 provides four status pins: Empty, Full, Almost Empty, Almost Full. The Almost Empty/Almost Full flags are programmable to single word granularity. The programmable flags default to Empty – 7 and Full – 7.

The flags are synchronous - they change state relative to either the Read clock (RCLK) or the Write clock (WCLK). When entering or exiting the Empty and Almost Empty states, the flags are updated exclusively by the RCLK. The flags denoting Almost Full and Full states are updated exclusively by WCLK. The synchronous flag architecture guarantees that the flags maintain their status for at least one cycle.

All configurations are fabricated using advanced 0.65 μ N-Well CMOS technology. Input ESD protection is greater than 2001V, and latch up is prevented by the use of guard rings.

Architecture

The CY7C42X1 consists of an array of 64 to 8K words of 9 bits each (implemented by a dual-port array of SRAM cells), a read pointer, a write pointer, control signals (RCLK, WCLK, REN1, REN2, WEN1, WEN2, RS), and flags (EF, PAE, PAF, FF).

Resetting the FIFO

During power up, the FIFO must be reset with a Reset (\overline{RS}) cycle. This causes the FIFO to enter the Empty condition signified by \overline{EF} being LOW. All data outputs (Q_{0-8}) go LOW t_{RSF} after the rising edge of RS. For the FIFO to reset to its default state, a falling edge must occur on RS and the user must not read or write while RS is LOW. All flags are guaranteed to be valid t_{RSF} after RS is taken LOW.

FIFO Operation

When the $\overline{WEN1}$ signal is active LOW and WEN2 is active HIGH, data present on the D_{0-8} pins is written into the FIFO on each rising edge of the WCLK signal. Similarly, when the REN1 and REN2 signals are active LOW, data in the FIFO memory is presented on the Q_{0-8} outputs. New data is presented on each rising edge of RCLK while REN1 and REN2 are active. REN1 and REN2 must set up t_{ENS} before RCLK for it to be a valid read function. WEN1 and WEN2 must occur t_{ENS} before WCLK for it to be a valid write function.

An output enable (\overline{OE}) pin is provided to three-state the Q_{0-8} outputs when OE is asserted. When OE is enabled (LOW), data in the output register is available to the Q_{0-8} outputs after t_{OE} .

The FIFO contains overflow circuitry to disallow additional writes when the FIFO is full, and underflow circuitry to disallow additional reads when the FIFO is empty. An empty FIFO

maintains the data of the last valid read on its Q_{0-8} outputs even after additional reads occur.

Write Enable 1 ($\overline{WEN1}$). If the FIFO is configured for programmable flags, Write Enable 1 ($\overline{WEN1}$) is the only write enable control pin. In this configuration, when Write Enable 1 ($\overline{WEN1}$) is LOW, data can be loaded into the input register and RAM array on the LOW-to-HIGH transition of every Write clock (WCLK). Data is stored in the RAM array sequentially and independently of any on-going read operation.

Write Enable 2/Load ($\overline{WEN2/LD}$). This is a dual-purpose pin. The FIFO is configured at Reset to have programmable flags or to have two write enables, which allows depth expansion. If Write Enable 2/Load ($\overline{WEN2/LD}$) is set active HIGH at Reset ($RS = LOW$), this pin operates as a second write enable pin.

If the FIFO is configured to have two write enables, when Write Enable ($\overline{WEN1}$) is LOW and Write Enable 2/Load ($\overline{WEN2/LD}$) is HIGH, data can be loaded into the input register and RAM array on the LOW-to-HIGH transition of every Write clock (WCLK). Data is stored in the RAM array sequentially and independently of any on-going read operation.

Programming

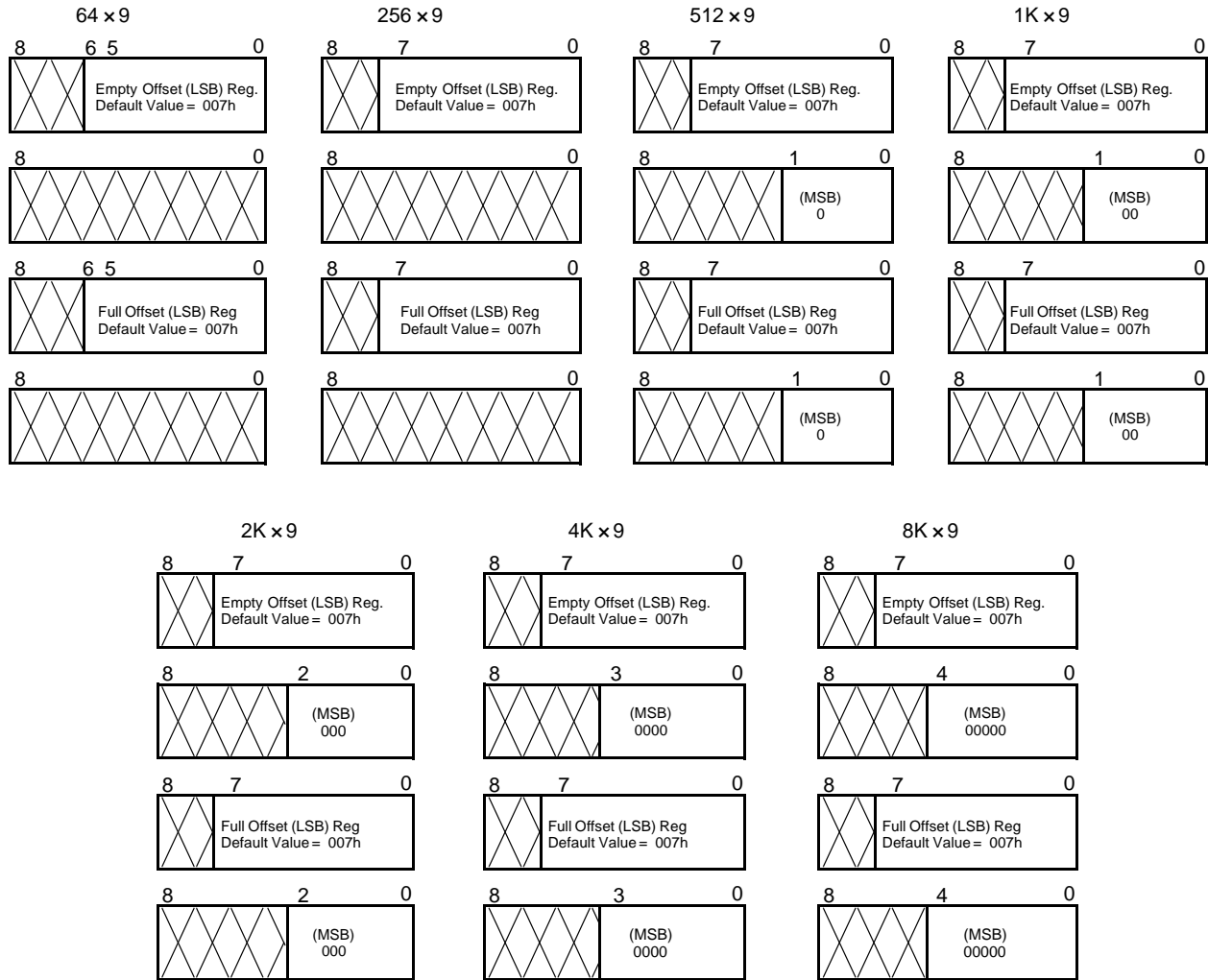
When $\overline{WEN2/LD}$ is held LOW during Reset, this pin is the load (\overline{LD}) enable for flag offset programming. In this configuration, $\overline{WEN2/LD}$ can be used to access the four 8-bit offset registers contained in the CY7C42X1 for writing or reading data to these registers.

When the device is configured for programmable flags and both $\overline{WEN2/LD}$ and $\overline{WEN1}$ are LOW, the first LOW-to-HIGH transition of WCLK writes data from the data inputs to the empty offset least significant bit (LSB) register. The second, third, and fourth LOW-to-HIGH transitions of WCLK store data in the empty offset most significant bit (MSB) register, full offset LSB register, and full offset MSB register, respectively, when $\overline{WEN2/LD}$ and $\overline{WEN1}$ are LOW. The fifth LOW-to-HIGH transition of WCLK while $\overline{WEN2/LD}$ and $\overline{WEN1}$ are LOW writes data to the empty LSB register again. Figure 2 shows the registers sizes and default values for the various device types.

It is not necessary to write to all the offset registers at one time. A subset of the offset registers can be written; then by bringing the $\overline{WEN2/LD}$ input HIGH, the FIFO is returned to normal read and write operation. The next time $\overline{WEN2/LD}$ is brought LOW, a write operation stores data in the next offset register in sequence.

The contents of the offset registers can be read to the data outputs when $\overline{WEN2/LD}$ is LOW and both REN1 and REN2 are LOW. LOW-to-HIGH transitions of RCLK Read register contents to the data outputs. Writes and reads should not be performed simultaneously on the offset registers.

Figure 2. Offset Register Location and Default Values



Programmable Flag ($\overline{\text{PAE}}$, $\overline{\text{PAF}}$) Operation

Whether the flag offset registers are programmed as described in Table 2 or the default values are used, the programmable almost-empty flag ($\overline{\text{PAE}}$) and programmable almost-full flag ($\overline{\text{PAF}}$) states are determined by their corresponding offset registers and the difference between the read and write pointers.

The number formed by the empty offset least significant bit register and empty offset most significant register is referred to as n and determines the operation of $\overline{\text{PAE}}$. $\overline{\text{PAE}}$ is synchronized to the LOW-to-HIGH transition of RCLK by one flip-flop and is LOW when the FIFO contains n or fewer unread words. $\overline{\text{PAE}}$ is set HIGH by the LOW-to-HIGH transition of RCLK when the FIFO contains $(n + 1)$ or greater unread words.

The number formed by the full offset least significant bit register and full offset most significant bit register is referred to as m and determines the operation of $\overline{\text{PAF}}$. $\overline{\text{PAF}}$ is synchronized to the LOW-to-HIGH transition of WCLK by one flip-flop and is set LOW when the number of unread words in the FIFO is greater than or equal to m . (64 – m), CY7C4421. (256 – m), CY7C4201 (256 – m), CY7C4211

(512 – m), CY7C4221 (1K – m), CY7C4231 (2K – m), CY7C4241 (4K – m), and CY7C4251 (8K – m). $\overline{\text{PAF}}$ is set HIGH by the LOW-to-HIGH transition of WCLK when the number of available memory locations is greater than m .

Table 2. Writing the Offset Registers

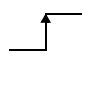
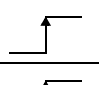
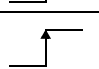
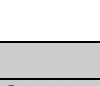
LD	WEN	WCLK ^[1]	Selection
0	0		Empty Offset (LSB) Empty Offset (MSB) Full Offset (LSB) Full Offset (MSB)
0	1		No Operation
1	0		Write Into FIFO
1	1		No Operation

Table 3. Status Flags

Number of Words in FIFO			$\overline{\text{FF}}$	$\overline{\text{PAF}}$	$\overline{\text{PAE}}$	$\overline{\text{EF}}$
CY7C4421	CY7C4201	CY7C4211				
0	0	0	H	H	L	L
1 to $n^{[2]}$	1 to $n^{[2]}$	1 to $n^{[2]}$	H	H	L	H
$(n + 1)$ to 32	$(n + 1)$ to 128	$(n + 1)$ to 256	H	H	H	H
33 to $(64 - (m + 1))$	129 to $(256 - (m + 1))$	257 to $(512 - (m + 1))$	H	H	H	H
$(64 - m)^{[3]}$ to 63	$(256 - m)^{[3]}$ to 255	$(512 - m)^{[3]}$ to 511	H	L	H	H
64	256	512	L	L	H	H

Number of Words in FIFO				$\overline{\text{FF}}$	$\overline{\text{PAF}}$	$\overline{\text{PAE}}$	$\overline{\text{EF}}$
CY7C4221	CY7C4231	CY7C4241	CY7C4251				
0	0	0	0	H	H	L	L
1 to $n^{[2]}$	1 to $n^{[2]}$	1 to $n^{[2]}$	1 to $n^{[2]}$	H	H	L	H
$(n + 1)$ to 512	$(n + 1)$ to 1024	$(n + 1)$ to 2048	$(n + 1)$ to 4096	H	H	H	H
513 to $(1024 - (m + 1))$	1025 to $(2048 - (m + 1))$	2049 to $(4096 - (m + 1))$	4097 to $(8192 - (m + 1))$	H	H	H	H
$(1024 - m)^{[3]}$ to 1023	$(2048 - m)^{[3]}$ to 2047	$(4096 - m)^{[3]}$ to 4095	$(8192 - m)^{[3]}$ to 8191	H	L	H	H
1024	2048	4096	8192	L	L	H	H

Notes

1. The same selection sequence applies to reading from the registers. $\overline{\text{REN1}}$ and $\overline{\text{REN2}}$ are enabled and a read is performed on the LOW-to-HIGH transition of RCLK.
2. n = Empty Offset ($n = 7$ default value).
3. m = Full Offset ($m = 7$ default value).

Width Expansion Configuration

Word width may be increased by connecting the corresponding input controls signals of multiple devices. A composite flag should be created for each of the end-point status flags (\overline{EF} and \overline{FF}). The partial status flags (PAE and PAF) can be detected from any one device. Figure 3 demonstrates a 18-bit word width by using two CY7C42X1s. Any word width can be attained by adding additional CY7C42X1s.

When the CY7C42X1 is in a Width Expansion Configuration, the Read Enable ($\overline{REN2}$) control input can be grounded (See Figure 3). In this configuration, the Write Enable 2/Load ($\overline{WEN2/LD}$) pin is set to LOW at Reset so that the pin operates as a control to load and read the programmable flag offsets.

Flag Operation

The CY7C42X1 devices provide four flag pins to indicate the condition of the FIFO contents. Empty, Full, PAE, and PAF are synchronous.

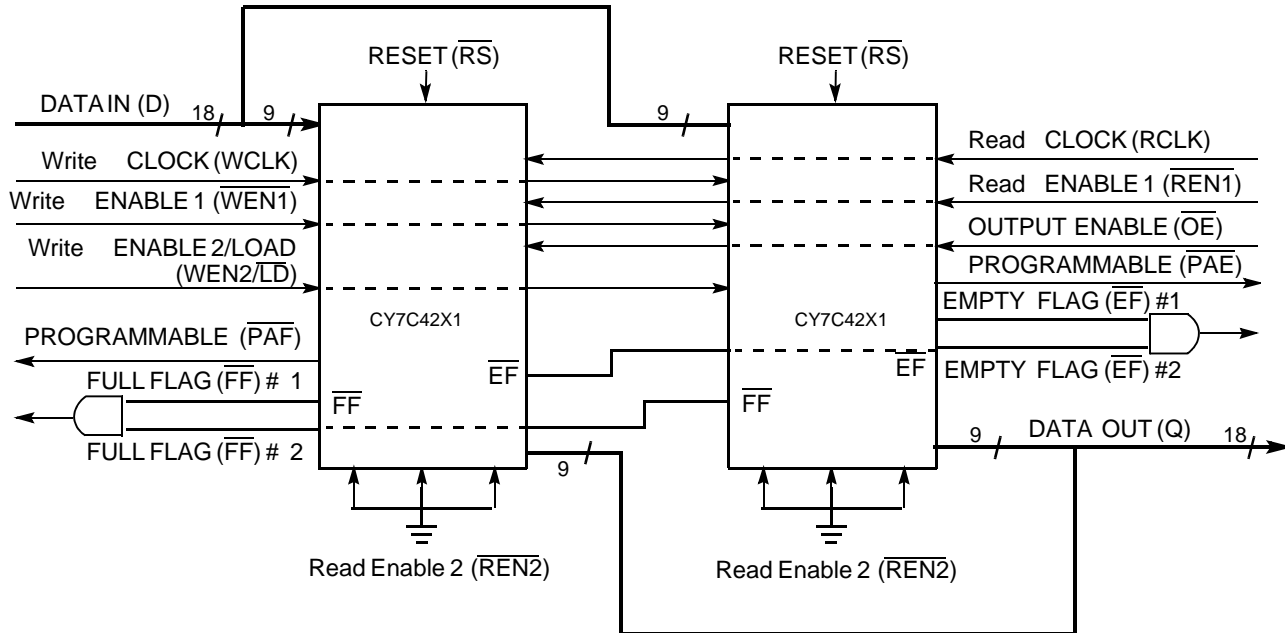
Full Flag

The Full Flag (\overline{FF}) goes LOW when device is full. Write operations are inhibited whenever \overline{FF} is LOW regardless of the state of $\overline{WEN1}$ and $\overline{WEN2/LD}$. \overline{FF} is synchronized to WCLK - it is exclusively updated by each rising edge of WCLK.

Empty Flag

The Empty Flag (\overline{EF}) goes LOW when the device is empty. Read operations are inhibited whenever \overline{EF} is LOW, regardless of the state of $\overline{REN1}$ and $\overline{REN2}$. \overline{EF} is synchronized to RCLK - it is exclusively updated by each rising edge of RCLK.

Figure 3. Block Diagram of 64 x 9, 256 x 9, 512 x 9, 1024 x 9, 2048 x 9, 4096 x 9, 8192 x 9 Synchronous FIFO Memory Used in a Width Expansion Configuration



Maximum Ratings^[4]

Exceeding maximum ratings may shorten the useful life of the device. User guidelines are not tested.

Storage Temperature -65°C to +150°C
 Ambient Temperature with Power Applied -55°C to +125°C
 Supply Voltage to Ground Potential..... -0.5V to +7.0V
 DC Voltage Applied to Outputs in High-Z State..... -0.5V to +7.0V
 DC Input Voltage -3.0V to +7.0V

Output Current into Outputs (LOW) 20 mA
 Static Discharge Voltage..... > 2001V (per MIL-STD-883, Method 3015)
 Latch up Current..... > 200 mA

Operating Range

Range	Ambient Temperature	V _{CC}
Commercial	0°C to +70°C	5V ±10%
Industrial ^[5]	-40°C to +85°C	5V ±10%

Electrical Characteristics Over the Operating Range

Parameter	Description	Test Conditions	-10		-15		-25		Unit
			Min	Max	Min	Max	Min	Max	
V _{OH}	Output HIGH Voltage	V _{CC} = Min., I _{OH} = -2.0 mA	2.4		2.4		2.4		V
V _{OL}	Output LOW Voltage	V _{CC} = Min., I _{OL} = 8.0 mA		0.4		0.4		0.4	V
V _{IH}	Input HIGH Voltage		2.2	V _{CC}	2.2	V _{CC}	2.2	V _{CC}	V
V _{IL}	Input LOW Voltage		-3.0	0.8	-3.0	0.8	-3.0	0.8	V
I _{IX}	Input Leakage Current	V _{CC} = Max.	-10	+10	-10	+10	-10	+10	µA
I _{OS} ^[6]	Output Short Circuit Current	V _{CC} = Max., V _{OUT} = GND	-90		-90		-90		mA
I _{OZL} I _{OZH}	Output OFF, High-Z Current	OE ≥ V _{IH} , V _{SS} < V _O < V _{CC}	-10	+10	-10	+10	-10	+10	mA
I _{CC1} ^[7]	Active Power Supply Current	Commercial		35		35		35	mA
		Industrial		40		40		40	mA
I _{CC2} ^[8]	Average Standby Current	Commercial		10		10		10	mA
		Industrial		15		15		15	mA

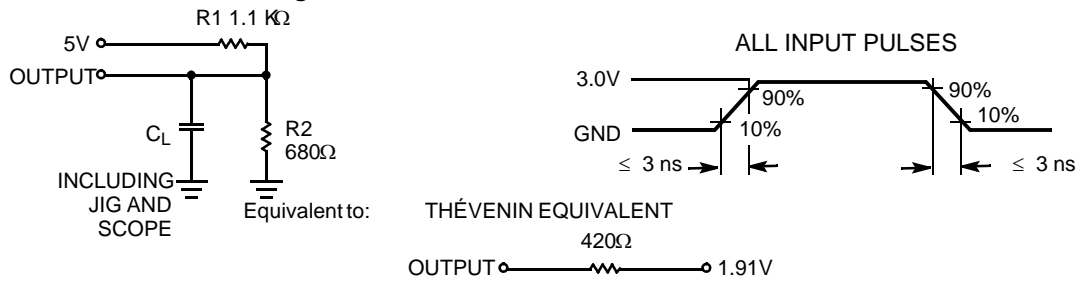
Capacitance^[9]

Parameter	Description	Test Conditions	Max	Unit
C _{IN}	Input Capacitance	T _A = 25°C, f = 1 MHz, V _{CC} = 5.0V	5	pF
C _{OUT}	Output Capacitance		7	pF

Notes

- The voltage on any input or I/O pin cannot exceed the power pin during power up.
- T_A is the "instant on" case temperature.
- Test no more than one output at a time for not more than one second.
- Outputs open. Tested at frequency = 20 MHz.
- All inputs = V_{CC} - 0.2V, except WCLK and RCLK, which are switching at 20 MHz.
- Tested initially and after any design or process changes that may affect these parameters.

Figure 4. AC Test Loads and Waveforms^[10, 11]



Switching Characteristics Over the Operating Range

Parameter	Description	-10		-15		-25		Unit
		Min	Max	Min	Max	Min	Max	
t_S	Clock Cycle Frequency		100		66.7		40	MHz
t_A	Data Access Time	2	8	2	10	2	15	ns
t_{CLK}	Clock Cycle Time	10		15		25		ns
t_{CLKH}	Clock HIGH Time	4.5		6		10		ns
t_{CLKL}	Clock LOW Time	4.5		6		10		ns
t_{DS}	Data Setup Time	3		4		6		ns
t_{DH}	Data Hold Time	0.5		1		1		ns
t_{ENS}	Enable Setup Time	3		4		6		ns
t_{ENH}	Enable Hold Time	0.5		1		1		ns
t_{RS}	Reset Pulse Width ^[12]	10		15		25		ns
t_{RSS}	Reset Setup Time	8		10		15		ns
t_{RSR}	Reset Recovery Time	8		10		15		ns
t_{RSF}	Reset to Flag and Output Time		10		15		25	ns
t_{OLZ}	Output Enable to Output in Low-Z ^[13]	0		0		0		ns
t_{OE}	Output Enable to Output Valid	3	7	3	8	3	12	ns
t_{OHZ}	Output Enable to Output in High-Z ^[13]	3	7	3	8	3	12	ns
t_{WFF}	Write Clock to Full Flag		8		10		15	ns
t_{REF}	Read Clock to Empty Flag		8		10		15	ns
t_{PAF}	Clock to Programmable Almost-Full Flag		8		10		15	ns
t_{PAE}	Clock to Programmable Almost-Full Flag		8		10		15	ns
t_{SKEW1}	Skew Time between Read Clock and Write Clock for Empty Flag and Full Flag	5		6		10		ns
t_{SKEW2}	Skew Time between Read Clock and Write Clock for Almost-Empty Flag and Almost-Full Flag	10		15		18		ns

Notes

- 10. $C_L = 30$ pF for all AC parameters except for t_{OHZ} .
- 11. $C_L = 5$ pF for t_{OHZ} .
- 12. Pulse widths less than minimum values are not allowed.
- 13. Values guaranteed by design, not currently tested.

Switching Waveforms

Figure 5. Write Cycle Timing

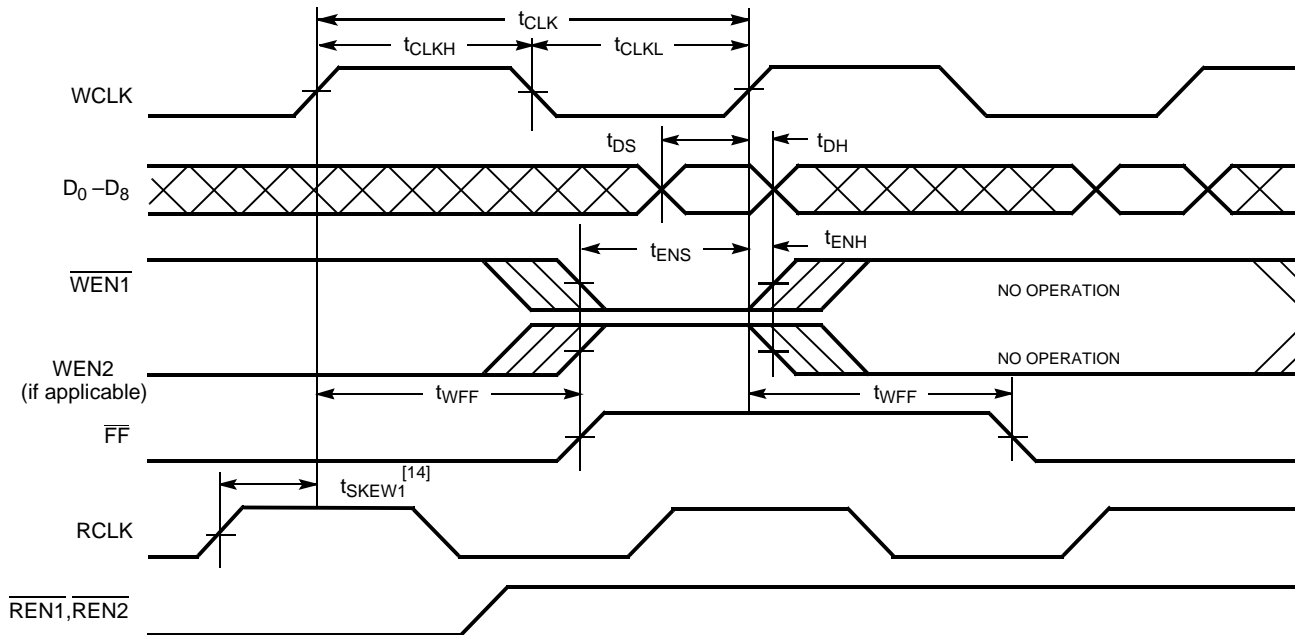
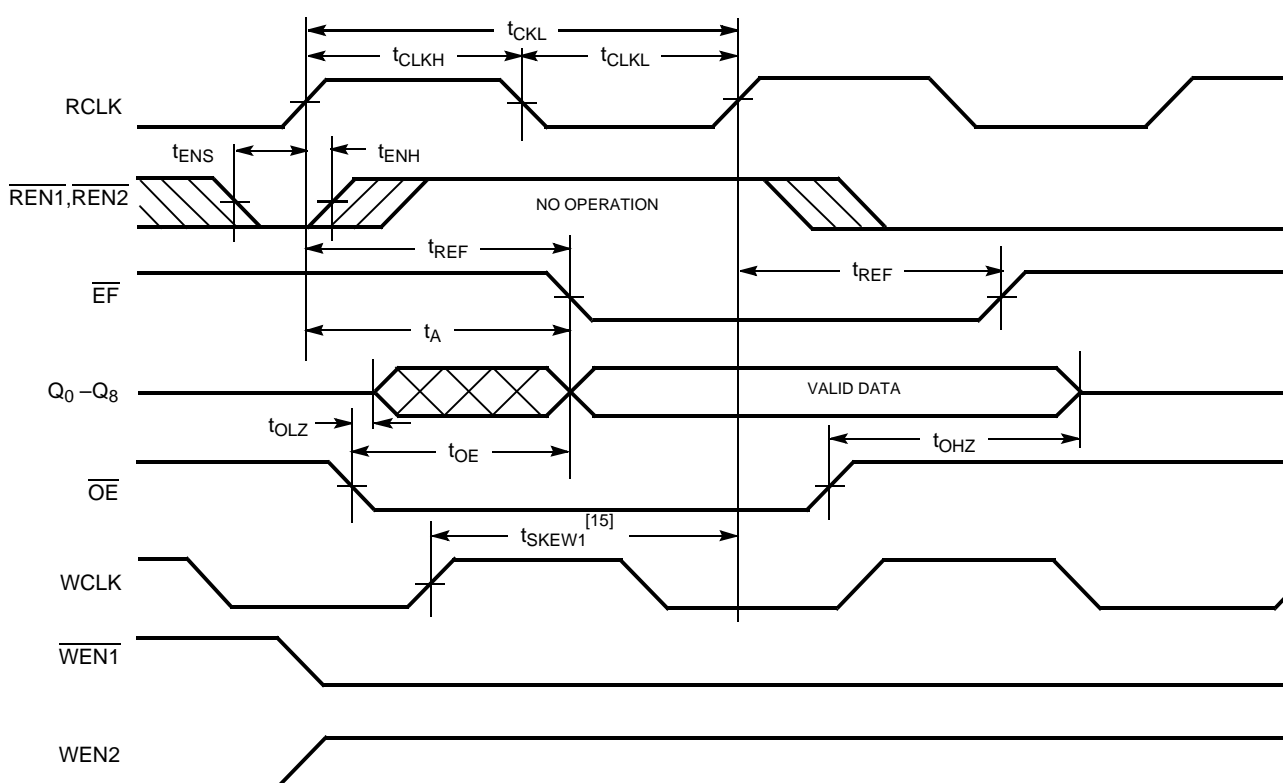


Figure 6. Read Cycle Timing



Notes

14. t_{SKEW1} is the minimum time between a rising RCLK edge and a rising WCLK edge to guarantee that \overline{FF} goes HIGH during the current clock cycle. If the time between the rising edge of RCLK and the rising edge of WCLK is less than t_{SKEW1} , then \overline{FF} may not change state until the next WCLK rising edge.
15. t_{SKEW1} is the minimum time between a rising WCLK edge and a rising RCLK edge to guarantee that \overline{EF} goes HIGH during the current clock cycle. If the time between the rising edge of WCLK and the rising edge of RCLK is less than t_{SKEW1} , then \overline{EF} may not change state until the next RCLK rising edge.

Figure 7. Reset Timing^[16]

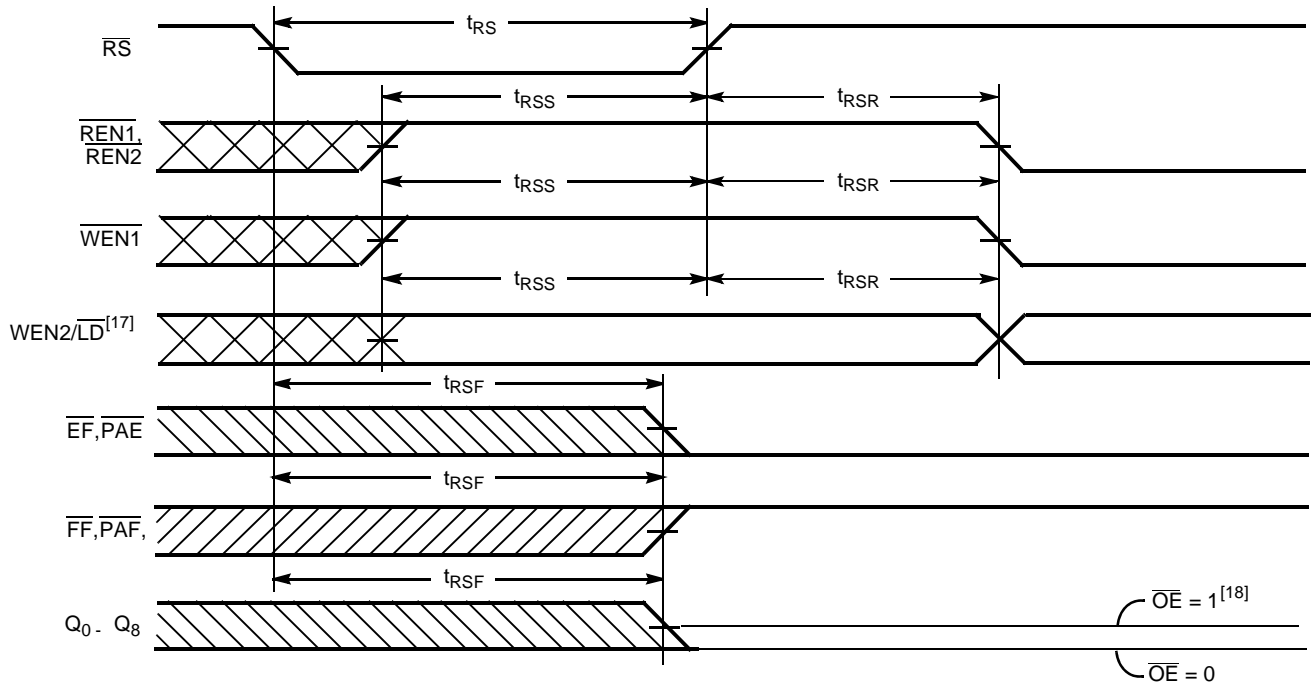
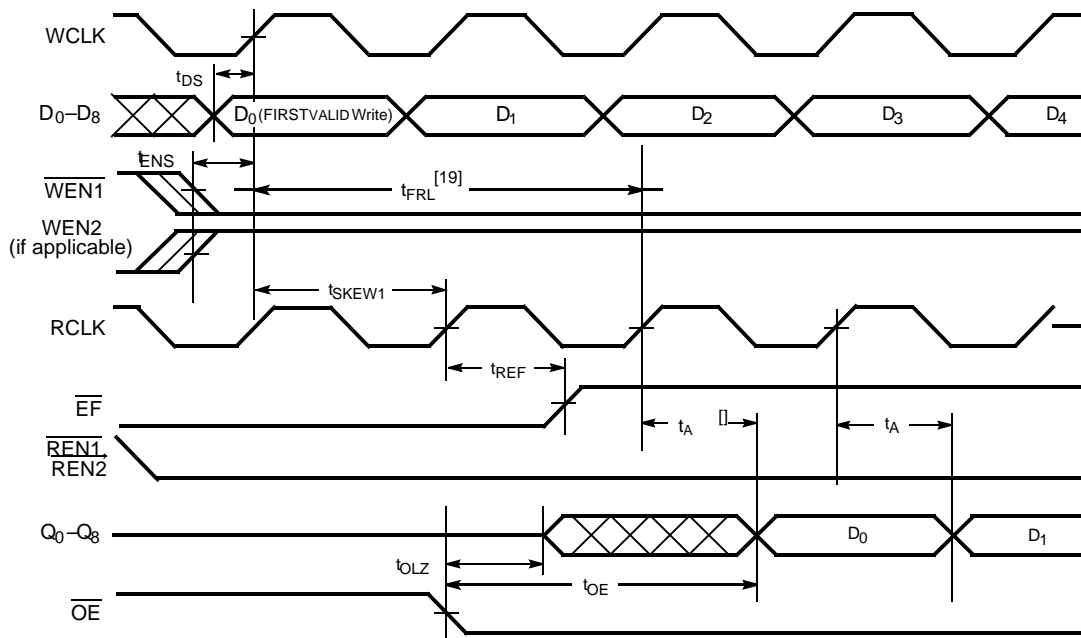


Figure 8. First Data Word Latency after Reset with Simultaneous Read and Write



Notes

16. The clocks (RCLK, WCLK) can be free-running during reset.
17. Holding $\overline{WEN2/LD}$ HIGH during reset makes the pin act as a second enable pin. Holding $\overline{WEN2/LD}$ LOW during reset makes the pin act as a load enable for the programmable flag offset registers.
18. After reset, the outputs are LOW if $\overline{OE} = 0$ and three-state if $\overline{OE} = 1$.
19. When $t_{SKEW1} \geq$ minimum specification, t_{FRL} (maximum) = $t_{CLK} + t_{SKEW1}$. When $t_{SKEW1} <$ minimum specification, t_{FRL} (maximum) = either $2 \cdot t_{CLK} + t_{SKEW1}$ or $t_{CLK} + t_{SKEW1}$. The Latency Timing applies only at the Empty Boundary ($\overline{EF} = \text{LOW}$).
20. The first word is available the cycle after \overline{EF} goes HIGH, always.

Figure 9. Empty Flag Timing

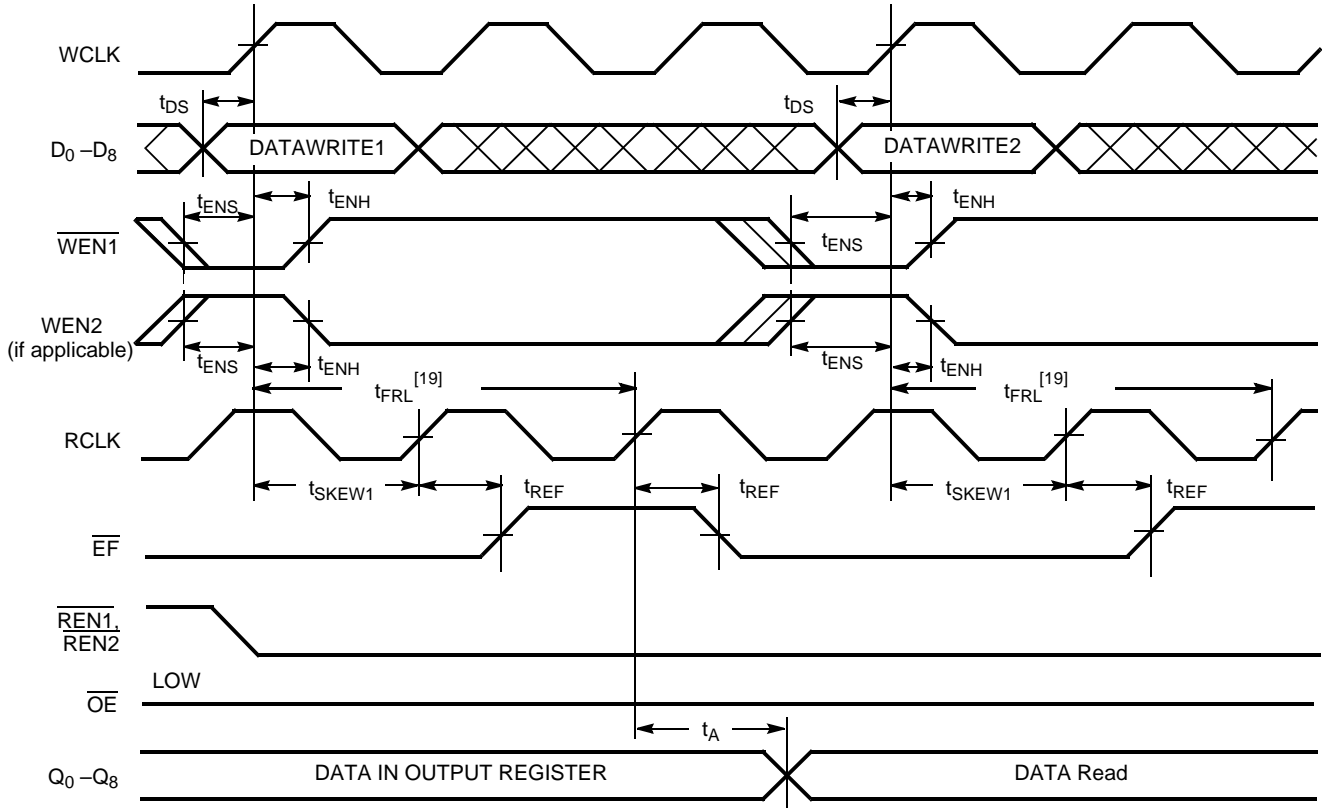


Figure 10. Full Flag Timing

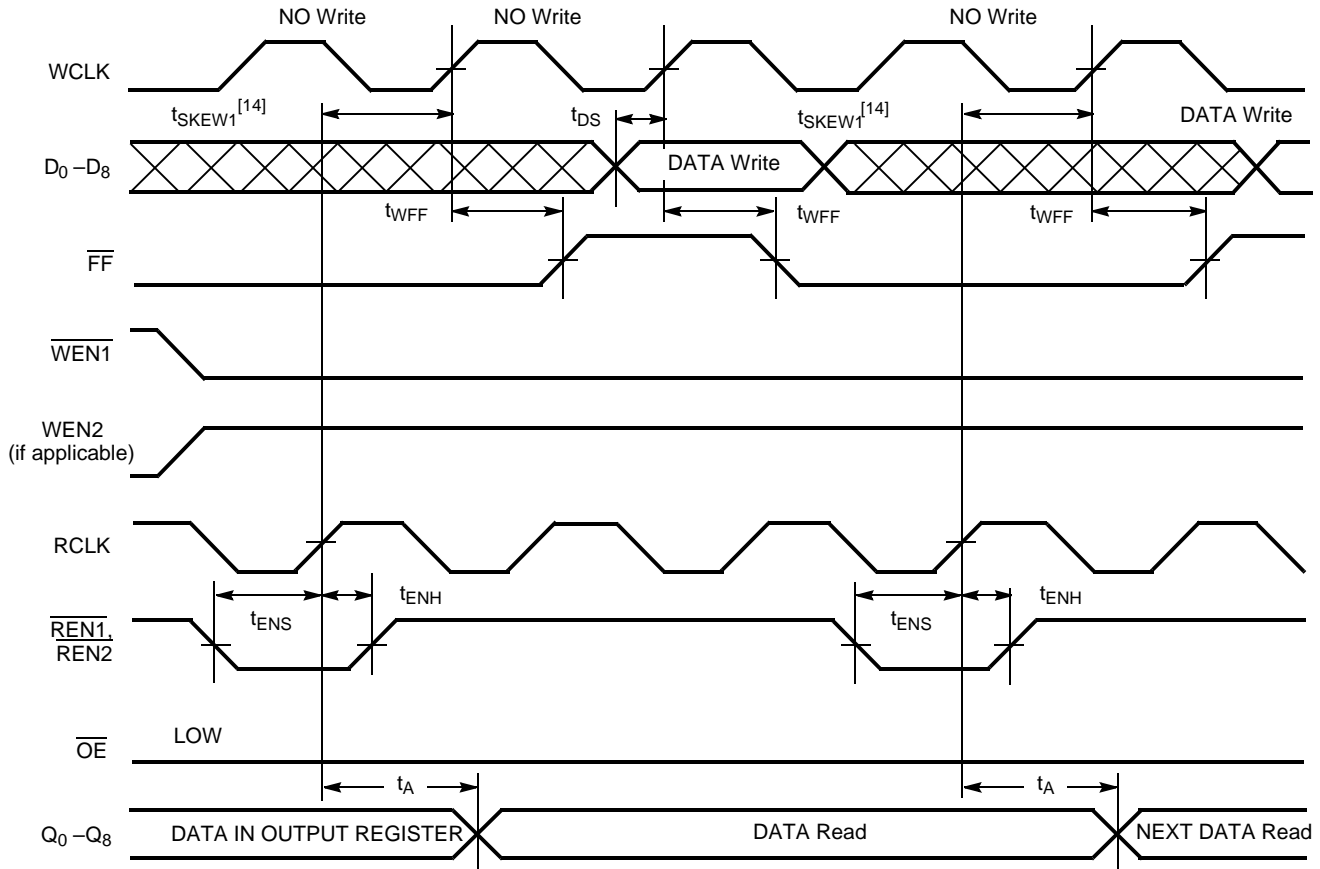
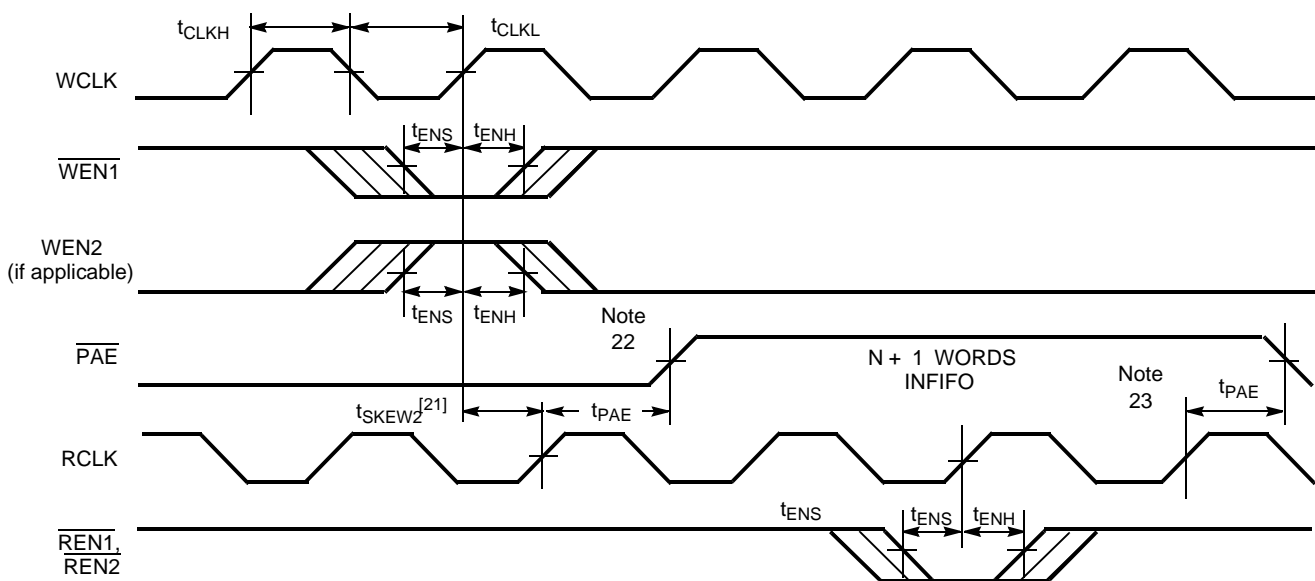


Figure 11. Programmable Almost Empty Flag Timing



Notes

21. t_{SKEW2} is the minimum time between a rising WCLK and a rising RCLK edge for PAE to change state during that clock cycle. If the time between the edge of WCLK and the rising RCLK is less than t_{SKEW2} , then PAE may not change state until the next RCLK.
22. PAE offset = n.
23. If a read is performed on this rising edge of the read clock, there are Empty + (n - 1) words in the FIFO when PAE goes LOW.

Figure 12. Programmable Almost Full Flag Timing

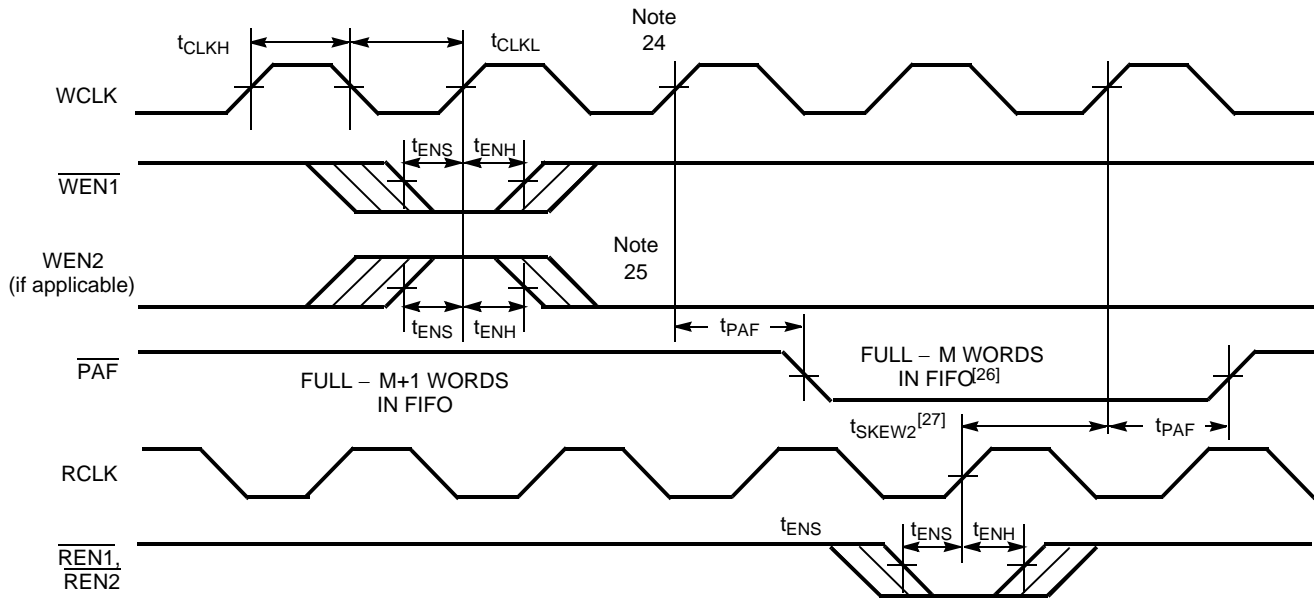
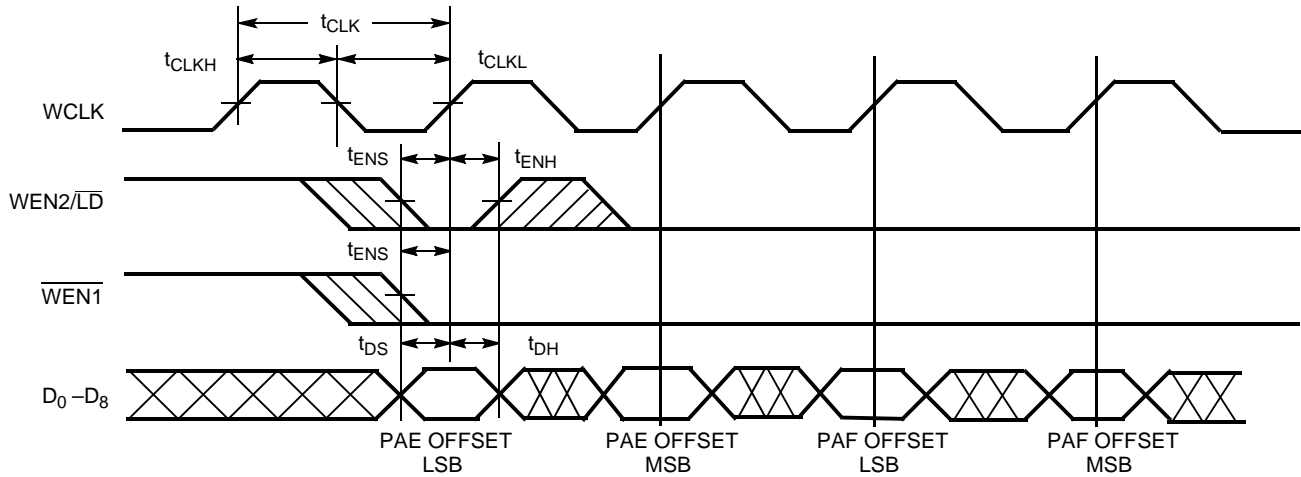


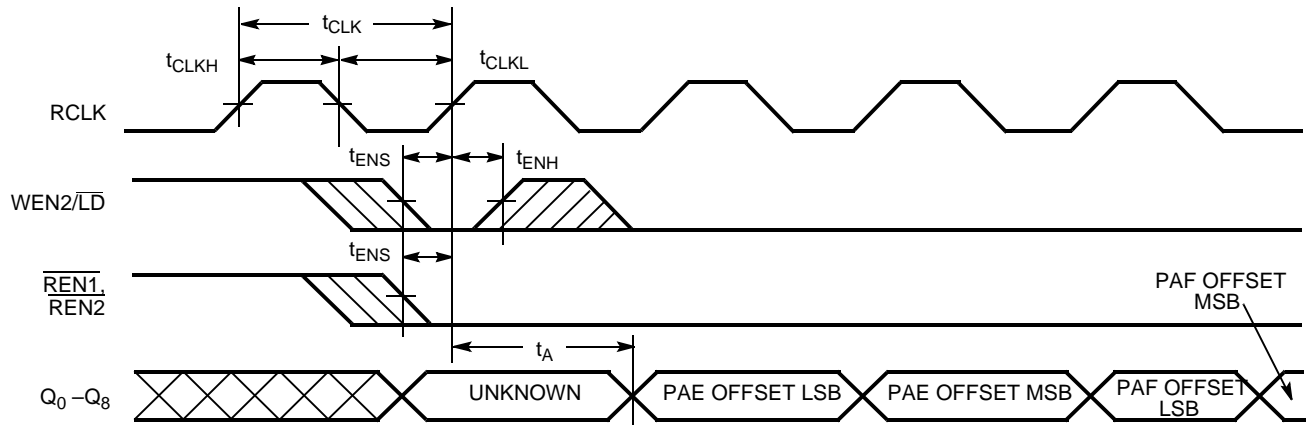
Figure 13. Write Programmable Registers



Notes

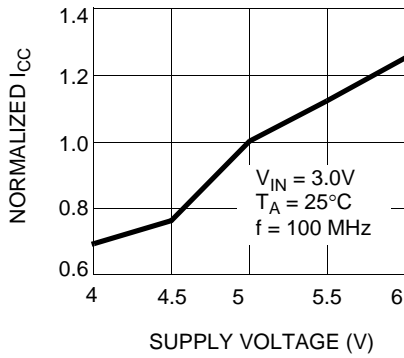
- 24. If a write is performed on this rising edge of the write clock, there are Full - (m - 1) words of the FIFO when \overline{PAF} goes LOW.
- 25. PAF offset = m.
- 26. 64-m words for CY7C4421, 256 - m words in FIFO for CY7C4201, 512 - m words for CY7C4211, 1024 - m words for CY7C4221, 2048 - m words for CY7C4231, 4096 - m words for CY7C4241, 8192 - m words for CY7C4251.
- 27. t_{SKEW2} is the minimum time between a rising RCLK edge and a rising WCLK edge for \overline{PAF} to change during that clock cycle. If the time between the rising edge of RCLK and the rising edge of WCLK is less than t_{SKEW2} , then \overline{PAF} may not change state until the next WCLK.

Figure 14. Read Programmable Registers

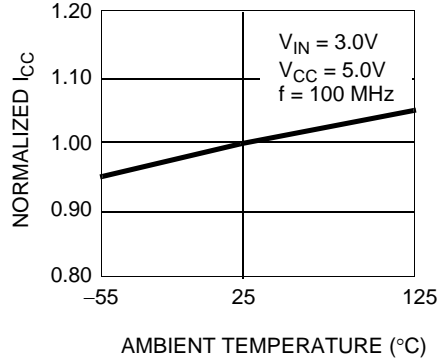


Typical AC and DC Characteristics

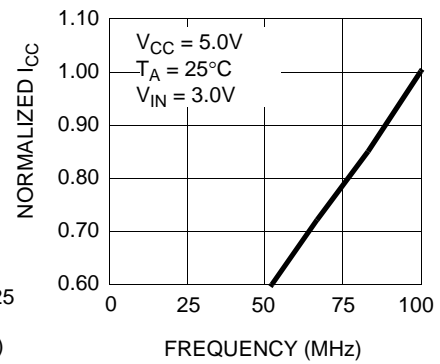
NORMALIZED SUPPLY CURRENT vs. SUPPLY VOLTAGE



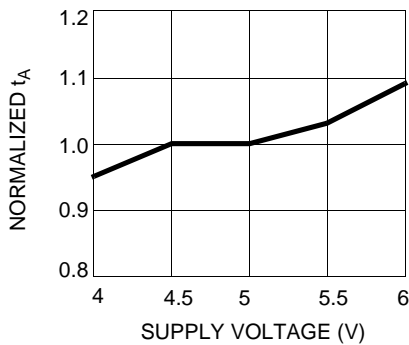
NORMALIZED SUPPLY CURRENT vs. AMBIENT TEMPERATURE



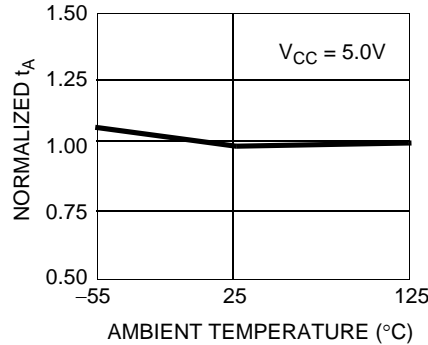
NORMALIZED SUPPLY CURRENT vs. FREQUENCY



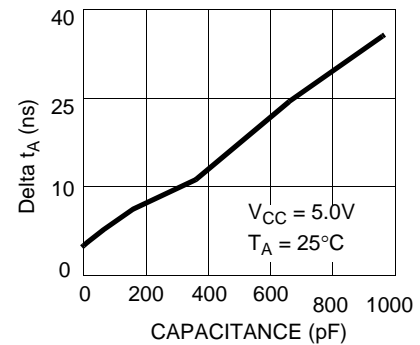
NORMALIZED t_A vs. SUPPLY VOLTAGE



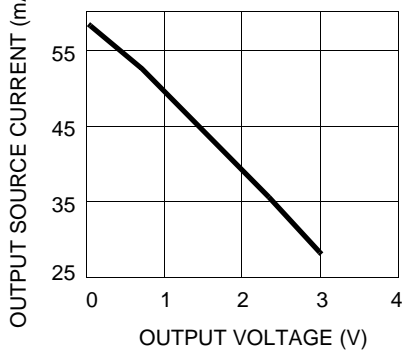
NORMALIZED t_A vs. AMBIENT TEMPERATURE



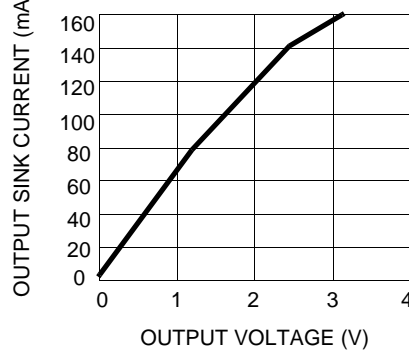
TYPICAL t_A CHANGE vs. OUTPUT LOADING



OUTPUT SOURCE CURRENT vs. OUTPUT VOLTAGE



OUTPUT SINK CURRENT vs. OUTPUT VOLTAGE



256 x 9 Synchronous FIFO

Speed (ns)	Ordering Code	Package Name	Package Type	Operating Range
15	CY7C4201-15JC	J65	32-Pin Plastic Leaded Chip Carrier	Commercial
	CY7C4201-15JXC	J65	32-Pin Pb-free Plastic Leaded Chip Carrier	

1K x 9 Synchronous FIFO

Speed (ns)	Ordering Code	Package Name	Package Type	Operating Range
15	CY7C4221-15AXC	A32	32-Pin Pb-free Thin Quad Flatpack	Commercial
	CY7C4221-15JXC	J65	32-Pin Pb-free Plastic Leaded Chip Carrier	

2K x 9 Synchronous FIFO

Speed (ns)	Ordering Code	Package Name	Package Type	Operating Range
15	CY7C4231-15AXC	A32	32-Pin Pb-free Thin Quad Flatpack	Commercial
	CY7C4231-15JXC	J65	32-Pin Pb-free Plastic Leaded Chip Carrier	

4K x 9 Synchronous FIFO

Speed (ns)	Ordering Code	Package Name	Package Type	Operating Range
10	CY7C4241-10AC	A32	32-Pin Thin Quad Flatpack	Commercial
	CY7C4241-10AXC	A32	32-Pin Pb-free Thin Quad Flatpack	
	CY7C4241-10JI	J65	32-Pin Plastic Leaded Chip Carrier	Industrial
15	CY7C4241-15AC	A32	32-Pin Thin Quad Flatpack	Commercial
	CY7C4241-15JC	J65	32-Pin Plastic Leaded Chip Carrier	
	CY7C4241-15JXC	J65	32-Pin Pb-free Plastic Leaded Chip Carrier	

8K x 9 Synchronous FIFO

Speed (ns)	Ordering Code	Package Name	Package Type	Operating Range
10	CY7C4251-10AC	A32	32-Pin Thin Quad Flatpack	Commercial
	CY7C4251-10JC	J65	32-Pin Plastic Leaded Chip Carrier	
	CY7C4251-10JXC	J65	32-Pin Pb-free Plastic Leaded Chip Carrier	
	CY7C4251-10AI	A32	32-Pin Thin Quad Flatpack	Industrial
	CY7C4251-10AXI	A32	32-Pin Pb-free Thin Quad Flatpack	
15	CY7C4251-15AC	A32	32-Pin Thin Quad Flatpack	Commercial
	CY7C4251-15AXC	A32	32-Pin Pb-free Thin Quad Flatpack	
	CY7C4251-15JC	J65	32-Pin Plastic Leaded Chip Carrier	
	CY7C4251-15JXC	J65	32-Pin Pb-free Plastic Leaded Chip Carrier	

Package Diagrams

Figure 15. 32-Pin Pb-free Thin Plastic Quad Flatpack 7 x 7 x 1.0 mm A32, 51-85063

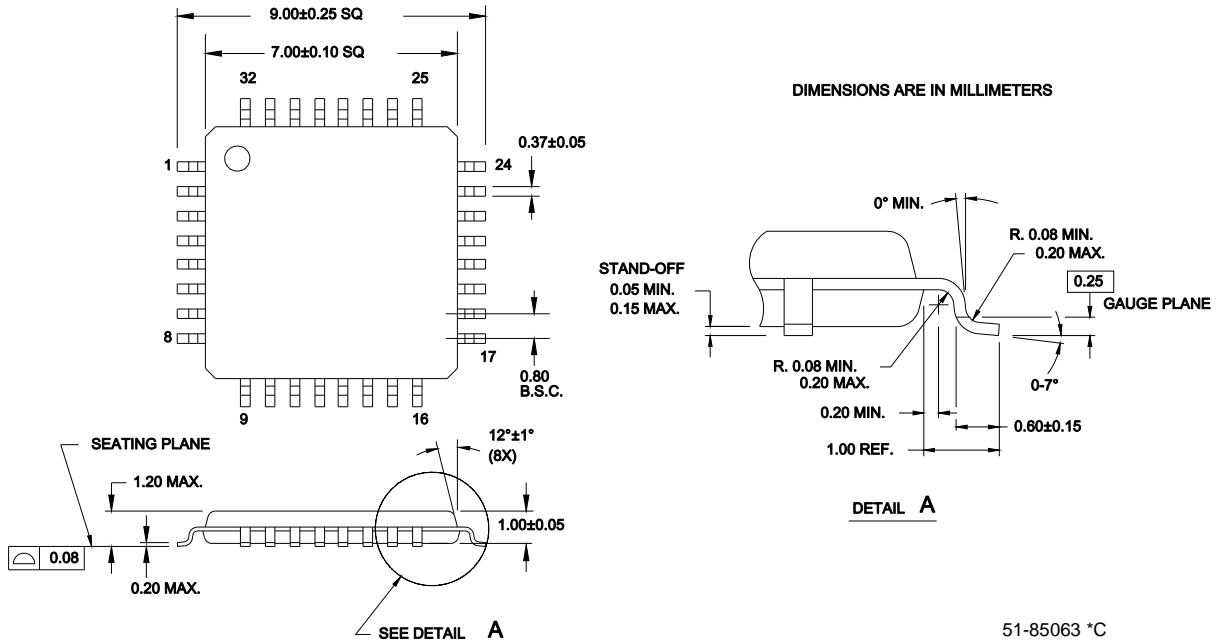
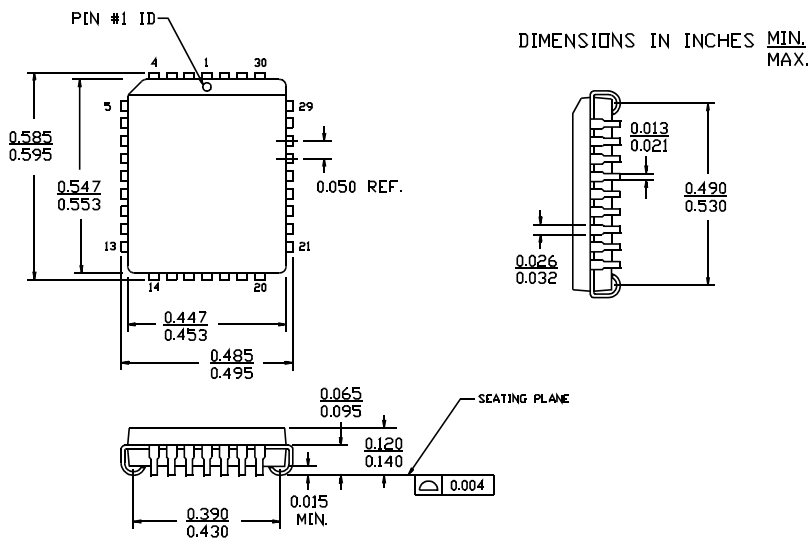


Figure 16. 32-Pin Pb-free Plastic Leaded Chip Carrier J65, 51-85002



Document History Page

Document Title: CY7C4421/4201/4211/4221, CY7C4231/4241/4251 64/256/512/1K/2K/4K/8K x 9 Synchronous FIFOs Document Number: 38-06016				
Rev.	ECN No.	Submission Date	Orig. of Change	Description of Change
**	106477	09/10/01	SZV	Change from Spec number: 38-00419 to 38-06016
*A	110725	03/20/02	FSG	Change Input Leakage current I _{IX} unit from mA to μA (typo)
*B	122268	12/26/02	RBI	Power up requirements added to Maximum Ratings Information
*C	386306	See ECN	ESH	Added Pb-free logo to top of front page Added CY7C4421-10JXC, CY7C4201-15AXC, CY7C4201-15JXC, CY7C4211-10AXI, CY7C4211-15AXC, CY7C4211-15JXC, CY7C4221-15AXC, CY7C4221-15JXC, CY7C4231-15JXC, CY7C4231-15AXC, CY7C4241-10AXC, CY7C4241-15AXC, CY7C4241-15JXC, CY7C4251-10JXC, CY7C4251-10AXI, CY7C4251-15AXC, CY7C4251-15JXC
*D	2863896	01/22/10	VKN/PYRS	Removed inactive/pruned parts from the Ordering Information table Added Table of Contents Updated TQFP package diagram

Sales, Solutions, and Legal Information

Worldwide Sales and Design Support

Cypress maintains a worldwide network of offices, solution centers, manufacturer's representatives, and distributors. To find the office closest to you, visit us at [Cypress Locations](#).

Products

Automotive	cypress.com/go/automotive
Clocks & Buffers	cypress.com/go/clocks
Interface	cypress.com/go/interface
Lighting & Power Control	cypress.com/go/powerpsoc cypress.com/go/plc
Memory	cypress.com/go/memory
Optical & Image Sensing	cypress.com/go/image
PSoC	cypress.com/go/psoc
Touch Sensing	cypress.com/go/touch
USB Controllers	cypress.com/go/USB
Wireless/RF	cypress.com/go/wireless

PSoC Solutions

psoc.cypress.com/solutions
 PSoC 1 | PSoC 3 | PSoC 5

© Cypress Semiconductor Corporation, 2001-2010. The information contained herein is subject to change without notice. Cypress Semiconductor Corporation assumes no responsibility for the use of any circuitry other than circuitry embodied in a Cypress product. Nor does it convey or imply any license under patent or other rights. Cypress products are not warranted nor intended to be used for medical, life support, life saving, critical control or safety applications, unless pursuant to an express written agreement with Cypress. Furthermore, Cypress does not authorize its products for use as critical components in life-support systems where a malfunction or failure may reasonably be expected to result in significant injury to the user. The inclusion of Cypress products in life-support systems application implies that the manufacturer assumes all risk of such use and in doing so indemnifies Cypress against all charges.



Any Source Code (software and/or firmware) is owned by Cypress Semiconductor Corporation (Cypress) and is protected by and subject to worldwide patent protection (United States and foreign), United States copyright laws and international treaty provisions. Cypress hereby grants to licensee a personal, non-exclusive, non-transferable license to copy, use, modify, create derivative works of, and compile the Cypress Source Code and derivative works for the sole purpose of creating custom software and/or firmware in support of licensee product to be used only in conjunction with a Cypress integrated circuit as specified in the applicable agreement. Any reproduction, modification, translation, compilation, or representation of this Source Code except as specified above is prohibited without the express written permission of Cypress.

Disclaimer: CYPRESS MAKES NO WARRANTY OF ANY KIND, EXPRESS OR IMPLIED, WITH REGARD TO THIS MATERIAL, INCLUDING, BUT NOT LIMITED TO, THE IMPLIED WARRANTIES OF MERCHANTABILITY AND FITNESS FOR A PARTICULAR PURPOSE. Cypress reserves the right to make changes without further notice to the materials described herein. Cypress does not assume any liability arising out of the application or use of any product or circuit described herein. Cypress does not authorize its products for use as critical components in life-support systems where a malfunction or failure may reasonably be expected to result in significant injury to the user. The inclusion of Cypress' product in a life-support systems application implies that the manufacturer assumes all risk of such use and in doing so indemnifies Cypress against all charges.

Use may be limited by and subject to the applicable Cypress software license agreement.

Looking for pricing, stock, or lifecycle information?

Click below to explore more details on WIN SOURCE:

-  [View CY7C4241-10AXC on WIN SOURCE](#)
-  [Cypress Semiconductor Corp Information](#)

Optimize Your Supply Chain with WIN SOURCE Solutions

-  Global Sourcing Solution
-  Obsolete Management
-  Cost Control Management
-  Shortage Management
-  Alternative Solution
-  Excess Inventory Management