



**THE DATASHEET OF  
CY7C136E-25NXC**



**1K/2K × 8 Dual-Port Static RAM**

### Features

- True dual-ported memory cells, which allow simultaneous reads of the same memory location
- 1K/2K × 8 organization
- 0.35 micron complementary metal oxide semiconductor (CMOS) for optimum speed and power
- High speed access: 15 ns
- Low operating power: I<sub>CC</sub> = 110 mA (typical), Standby: I<sub>SB3</sub> = 0.05 mA (typical)
- Fully asynchronous operation
- Automatic power-down
- $\overline{\text{BUSY}}$  output flag to indicate access to the same location by both ports
- $\overline{\text{INT}}$  flag for port-to-port communication
- Available in 52-pin plastic leaded chip carrier (PLCC), 52-pin plastic quad flat package (PQFP)
- Pb-free packages available

### Functional Description

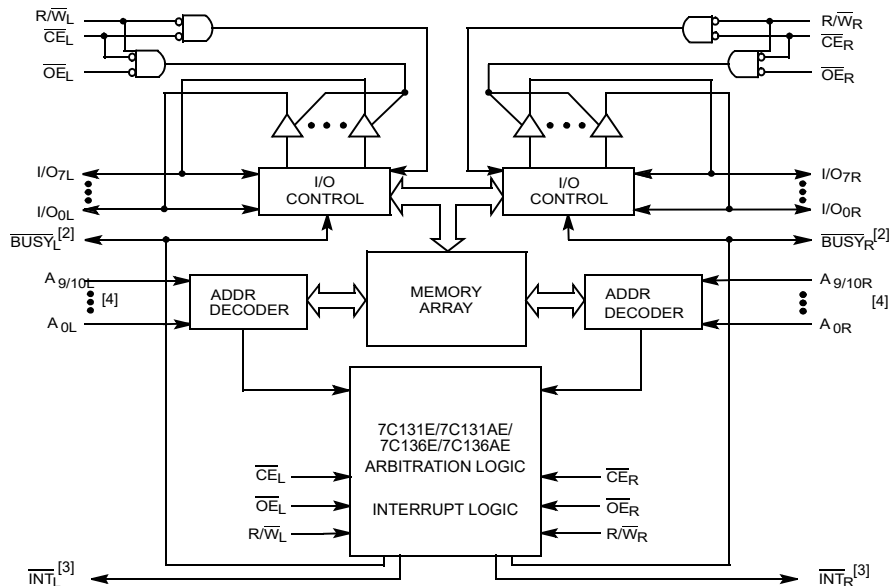
CY7C131E/CY7C131AE/CY7C136E/CY7C136AE are high-speed, low-power CMOS 1K/2K × 8 dual-port static RAMs. Two ports are provided permitting independent access to any location in memory. The CY7C131E/CY7C131AE/CY7C136E/CY7C136AE can be used as a standalone dual-port static RAM. It is the solution to applications requiring shared or buffered data, such as cache memory for DSP, bit-slice, or multiprocessor designs.

Each port has independent control pins; chip enable ( $\overline{\text{CE}}$ ), write enable (R/W), and output enable ( $\overline{\text{OE}}$ ). Two flags are provided on each port,  $\overline{\text{BUSY}}$  and  $\overline{\text{INT}}$ . The  $\overline{\text{BUSY}}$  flag signals that the port is trying to access the same location, which is currently being accessed by the other port. The  $\overline{\text{INT}}$  is an interrupt flag indicating that data is placed in a unique location<sup>[1]</sup>. The  $\overline{\text{BUSY}}$  and  $\overline{\text{INT}}$  flags are push pull outputs. An automatic power-down feature is controlled independently on each port by the chip enable (CE) pins.

The CY7C131E/CY7C131AE/CY7C136E/CY7C136AE are available in 52-pin Pb-free PLCC and 52-pin Pb-free PQFP.

For a complete list of related documentation, click [here](#).

### Logic Block Diagram



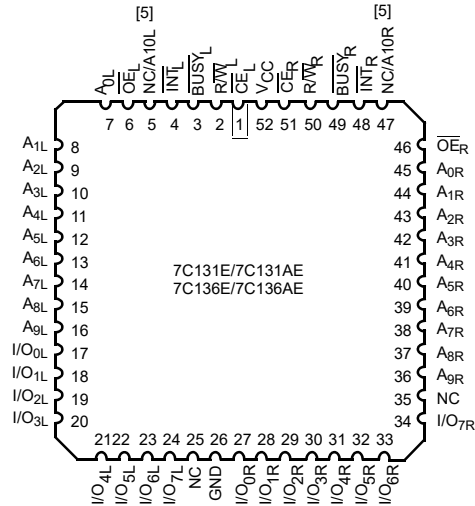
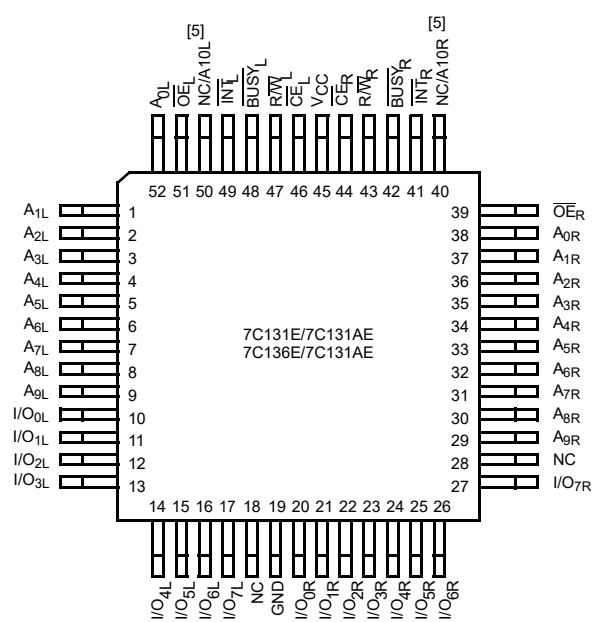
#### Notes

1. Unique location used by interrupt flag: 1K × 8: Left port reads from 3FE, Right port reads from 3FF; 2K × 8: Left port reads from 7FE, Right port reads from 7FF.
2.  $\overline{\text{BUSY}}$  is a push-pull output. No pull-up resistor required.
3.  $\overline{\text{INT}}$ : push-pull output. No pull-up resistor required.
4. 1K × 8: A0–A9, 2K × 8: A0–A10, address lines are for both left and right ports.

## Contents

<b>Pin Configurations</b> .....	<b>3</b>	Ordering Code Definitions .....	16
<b>Pin Definitions</b> .....	<b>3</b>	<b>Package Diagrams</b> .....	<b>17</b>
<b>Selection Guide</b> .....	<b>3</b>	<b>Acronyms</b> .....	<b>18</b>
<b>Maximum Ratings</b> .....	<b>4</b>	<b>Document Conventions</b> .....	<b>18</b>
<b>Operating Range</b> .....	<b>4</b>	Units of Measure .....	18
<b>Electrical Characteristics</b> .....	<b>4</b>	<b>Document History Page</b> .....	<b>19</b>
<b>Capacitance</b> .....	<b>5</b>	<b>Sales, Solutions, and Legal Information</b> .....	<b>21</b>
<b>AC Test Loads and Waveforms</b> .....	<b>5</b>	Worldwide Sales and Design Support .....	21
<b>Switching Characteristics</b> .....	<b>6</b>	Products .....	21
<b>Switching Characteristics</b> .....	<b>8</b>	PSoC® Solutions .....	21
<b>Switching Waveforms</b> .....	<b>10</b>	Cypress Developer Community .....	21
<b>Ordering Information</b> .....	<b>15</b>	Technical Support .....	21

## Pin Configurations

**Figure 1. 52-pin PLCC pinout (Top View)**

**Figure 2. 52-pin PQFP pinout (Top View)**


## Pin Definitions

Left Port	Right Port	Description
$\overline{CE}_L$	$\overline{CE}_R$	Chip Enable
$\overline{R/W}_L$	$\overline{R/W}_R$	Read/Write Enable
$\overline{OE}_L$	$\overline{OE}_R$	Output Enable
$A_{0L}-A_{9/10L}^{[5]}$	$A_{0R}-A_{9/10R}^{[5]}$	Address
$I/O_{0L}-I/O_{7L}$	$I/O_{0R}-I/O_{7R}$	Data Bus Input/Output
$\overline{INT}_L$	$\overline{INT}_R$	Interrupt Flag
$\overline{BUSY}_L$	$\overline{BUSY}_R$	Busy Flag
$V_{CC}$		Power
GND		Ground

## Selection Guide

Parameter	7C131E-15 7C131AE-15	7C131E-25 7C136E-25	7C131E-55 7C136E-55 7C136AE-55	Unit
Maximum Access Time	15	25	55	ns
Typical Operating Current	110	100	95	mA
Typical Standby Current for $I_{SB1}$ (both ports TTL level)	50	45	45	mA
Typical Standby Current for $I_{SB3}$ (Both ports CMOS level)	0.05	0.05	0.05	mA

**Note**

5. 1K × 8: A0–A9, 2K × 8: A0–A10, address lines are for both left and right ports.

## Maximum Ratings

Exceeding maximum ratings <sup>[6]</sup> may shorten the useful life of the device. User guidelines are not tested.

Storage temperature ..... -65 °C to +150 °C  
 Ambient temperature  
 with power applied ..... -55 °C to +125 °C  
 Supply voltage to ground potential ..... -0.3 V to +7.0 V  
 DC voltage applied to outputs  
 in High Z State ..... -0.5 V to +7.0 V  
 DC input voltage <sup>[7]</sup> ..... -0.5 V to +7.0 V

Output current into outputs (LOW) ..... 20 mA  
 Static discharge voltage ..... >1100 V  
 Latch up current ..... >200 mA

## Operating Range

Range	Ambient Temperature	V <sub>CC</sub>
Commercial	0 °C to +70 °C	5 V ± 10%
Industrial	-40 °C to +85 °C	5 V ± 10%

## Electrical Characteristics

Over the Operating Range

Parameter	Description	Test Conditions	7C131E-15 7C131AE-15			7C131E-25 7C136E-25			7C131E-55 7C136E-55 7C136AE-55			Unit			
			Min	Typ <sup>[8]</sup>	Max	Min	Typ <sup>[8]</sup>	Max	Min	Typ <sup>[8]</sup>	Max				
V <sub>OH</sub>	Output HIGH Voltage	V <sub>CC</sub> = Min, I <sub>OH</sub> = -4.0 mA	2.4	-	-	2.4	-	-	2.4	-	-	V			
V <sub>OL</sub>	Output LOW Voltage	V <sub>CC</sub> = Min, I <sub>OL</sub> = 4.0 mA	-	-	0.4	-	-	0.4	-	-	0.4	V			
V <sub>IH</sub>	Input HIGH Voltage		2.2	-	-	2.2	-	-	2.2	-	-	V			
V <sub>IL</sub>	Input LOW Voltage		-	-	0.8	-	-	0.8	-	-	0.8	V			
I <sub>OZ</sub>	Output Leakage Current	GND ≤ V <sub>O</sub> ≤ V <sub>CC</sub> , Output disabled	-20	-	+20	-20	-	+20	-20	-	+20	µA			
I <sub>CC</sub>	V <sub>CC</sub> Operating Supply Current	V <sub>CC</sub> = Max, I <sub>OUT</sub> = 0 mA Outputs disabled	Commercial		Industrial		Commercial		Industrial		Commercial		Industrial		mA
			-	110	190	-	100	170	-	95	160				
I <sub>SB1</sub>	Standby Current, Both Ports, TTL Inputs	$\overline{CE}_L$ and $\overline{CE}_R \geq V_{IH}$ , f = f <sub>MAX</sub> <sup>[9]</sup>	Commercial		Industrial		Commercial		Industrial		Commercial		Industrial		mA
			-	50	70	-	45	65	-	45	65				
I <sub>SB2</sub>	Standby Current, One Port, TTL Inputs	$\overline{CE}_L$ or $\overline{CE}_R \geq V_{IH}$ , Active Port Outputs Open, f = f <sub>MAX</sub> <sup>[9]</sup>	Commercial		Industrial		Commercial		Industrial		Commercial		Industrial		mA
			-	120	180	-	110	160	-	110	160				
I <sub>SB3</sub>	Standby Current, Both Ports, CMOS Inputs	Both Ports $\overline{CE}_L$ and $\overline{CE}_R \geq V_{CC} - 0.2$ V, V <sub>IN</sub> ≥ V <sub>CC</sub> - 0.2 V or V <sub>IN</sub> ≤ 0.2 V, f = 0	Commercial		Industrial		Commercial		Industrial		Commercial		Industrial		mA
			-	0.05	0.5	-	0.05	0.5	-	0.05	0.5				
I <sub>SB4</sub>	Standby Current, One Port, CMOS Inputs	One Port $\overline{CE}_L$ or $\overline{CE}_R \geq V_{CC} - 0.2$ V, V <sub>IN</sub> ≥ V <sub>CC</sub> - 0.2 V or V <sub>IN</sub> ≤ 0.2 V, Active Port Outputs Open, f = f <sub>MAX</sub> <sup>[9]</sup>	Commercial		Industrial		Commercial		Industrial		Commercial		Industrial		mA
			-	110	160	-	100	140	-	100	140				

### Notes

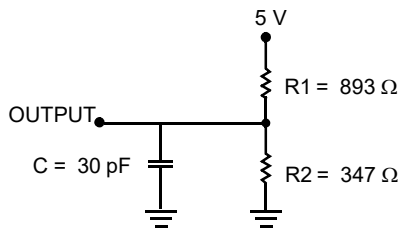
- The voltage on any I/O pin cannot exceed the power pin during power-up.
- Pulse width < 20 ns.
- Typical values are included for reference only and are not guaranteed or tested. Typical values are measured at V<sub>CC</sub> = V<sub>CC</sub>(typ.), T<sub>A</sub> = 25 °C.
- At f = f<sub>MAX</sub>, address and data inputs are cycling at the maximum frequency of read cycle of 1/t<sub>RC</sub> and using AC Test Waveforms input levels of GND to 3 V.

## Capacitance

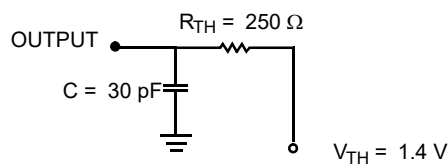
Parameter <sup>[10]</sup>	Description	Test Conditions	Max	Unit
$C_{IN}$	Input capacitance	$T_A = 25\text{ }^\circ\text{C}$ , $f = 1\text{ MHz}$ , $V_{CC} = 5.0\text{ V}$	15	pF
$C_{OUT}$	Output capacitance		10	pF

## AC Test Loads and Waveforms

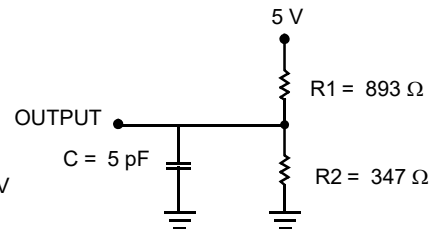
Figure 3. AC Test Loads and Waveforms



(a) Normal Load (Load 1)

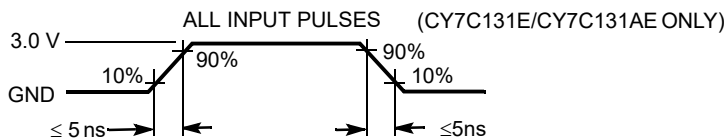


(b) Thévenin Equivalent (Load 1)



(c) Three-State Delay (Load 2)

(Used for  $t_{LZ}$ ,  $t_{HZ}$ ,  $t_{HZWE}$ , and  $t_{LZWE}$  including scope and jig)



### Note

10. Tested initially and after any design or process changes that may affect these parameters.

## Switching Characteristics

Over the Operating Range

Parameter <sup>[11]</sup>	Description	7C131E-15/7C131AE-15		7C131E-25/7C136E-25		Unit
		Min	Max	Min	Max	
<b>Read Cycle</b>						
$t_{RC}$	Read cycle time	15	–	25	–	ns
$t_{AA}$	Address to data valid <sup>[12]</sup>	–	15	–	25	ns
$t_{OHA}$	Data hold from Address change	3	–	3	–	ns
$t_{ACE}$	$\overline{CE}$ LOW to data valid <sup>[12]</sup>	–	15	–	25	ns
$t_{DOE}$	$\overline{OE}$ LOW to data valid <sup>[12]</sup>	–	10	–	15	ns
$t_{LZOE}$	$\overline{OE}$ LOW to Low Z <sup>[13, 14, 15]</sup>	3	–	3	–	ns
$t_{HZOE}$	$\overline{OE}$ HIGH to High Z <sup>[13, 14, 15]</sup>	–	10	–	15	ns
$t_{LZCE}$	$\overline{CE}$ LOW to Low Z <sup>[13, 14, 15]</sup>	3	–	5	–	ns
$t_{HZCE}$	$\overline{CE}$ HIGH to High Z <sup>[13, 14, 15]</sup>	–	10	–	15	ns
$t_{PU}$	$\overline{CE}$ LOW to power-up <sup>[13]</sup>	0	–	0	–	ns
$t_{PD}$	$\overline{CE}$ HIGH to power-down <sup>[13]</sup>	–	15	–	25	ns
<b>Write Cycle <sup>[16]</sup></b>						
$t_{WC}$	Write cycle time	15	–	25	–	ns
$t_{SCE}$	$\overline{CE}$ LOW to write end	12	–	20	–	ns
$t_{AW}$	Address setup to write end	12	–	20	–	ns
$t_{HA}$	Address hold from write end	0	–	0	–	ns
$t_{SA}$	Address setup to write start	0	–	0	–	ns
$t_{PWE}$	R/ $\overline{W}$ pulse width	10	–	12	–	ns
$t_{SD}$	Data setup to write end	10	–	15	–	ns
$t_{HD}$	Data hold from write end	0	–	0	–	ns
$t_{HZWE}^{[13]}$	R/ $\overline{W}$ LOW to High Z <sup>[15]</sup>	–	10	–	15	ns
$t_{LZWE}^{[13]}$	R/ $\overline{W}$ HIGH to Low Z <sup>[15]</sup>	3	–	3	–	ns

### Notes

- Test conditions assume signal transition times of 5 ns or less, timing reference levels of 1.5 V, input pulse levels of 0 to 3.0 V and output loading of the specified  $I_{OL}/I_{OH}$  and 30 pF load capacitance.
- AC Test Conditions use  $V_{OH} = 1.6$  V and  $V_{OL} = 1.4$  V.
- This parameter is guaranteed but not tested.
- At any given temperature and voltage condition for any given device,  $t_{HZCE}$  is less than  $t_{LZCE}$  and  $t_{HZOE}$  is less than  $t_{LZOE}$ .
- Parameters  $t_{LZCE}$ ,  $t_{LZWE}$ ,  $t_{HZOE}$ ,  $t_{LZOE}$ ,  $t_{HZCE}$  and  $t_{HZWE}$  are tested with  $C_L = 5$  pF as in part (c) of Figure 3 on page 5. Transition is measured  $\pm 500$  mV from steady state voltage.
- The internal write time of the memory is defined by the overlap of  $\overline{CE}$  LOW and R/ $\overline{W}$  LOW. Both signals must be low to initiate a write and either signal can terminate a write by going high. The data input setup and hold timing should be referenced to the rising edge of the signal that terminates the write.

## Switching Characteristics (continued)

Over the Operating Range

Parameter <sup>[11]</sup>	Description	7C131E-15/7C131AE-15		7C131E-25/7C136E-25		Unit
		Min	Max	Min	Max	
<b>Busy/Interrupt Timing <sup>[17]</sup></b>						
t <sub>BLA</sub>	BUSY LOW from Address match	–	15	–	20	ns
t <sub>BHA</sub>	BUSY HIGH from Address mismatch <sup>[18]</sup>	–	15	–	20	ns
t <sub>BLC</sub>	BUSY LOW from CE LOW	–	15	–	20	ns
t <sub>BHC</sub>	BUSY HIGH from CE HIGH <sup>[18]</sup>	–	15	–	20	ns
t <sub>PS</sub>	Port setup for priority	5	–	5	–	ns
t <sub>BDD</sub>	BUSY HIGH to valid data	–	15	–	25	ns
t <sub>DDD</sub>	Write data valid to read data valid <sup>[19]</sup>	–	25	–	30	ns
t <sub>WDD</sub>	Write pulse to data delay <sup>[19]</sup>	–	30	–	45	ns
<b>Interrupt Timing</b>						
t <sub>WINS</sub>	R/W to INTERRUPT set time	–	15	–	25	ns
t <sub>EINS</sub>	CE to INTERRUPT set time	–	15	–	25	ns
t <sub>INS</sub>	Address to INTERRUPT set time	–	15	–	25	ns
t <sub>OINR</sub>	OE to INTERRUPT reset time <sup>[18]</sup>	–	15	–	25	ns
t <sub>EINR</sub>	CE to INTERRUPT reset time <sup>[18]</sup>	–	15	–	25	ns
t <sub>INR</sub>	Address to INTERRUPT reset time <sup>[18]</sup>	–	15	–	25	ns

### Notes

17. Test conditions used are Load 2.

18. These parameters are measured from the input signal changing, until the output pin goes to a high impedance state.

19. A write operation on Port A, where Port A has priority, leaves the data on Port B's outputs undisturbed until one access time after one of the following:  
 BUSY on Port B goes HIGH.  
 Port B's address toggled.  
 CE for Port B is toggled.

## Switching Characteristics

Over the Operating Range

Parameter	Description	7C131E-55/7C136E-55/ 7C136AE-55		Unit
		Min	Max	
<b>Read Cycle</b>				
$t_{RC}$	Read cycle time	55	–	ns
$t_{AA}$	Address to data valid <sup>[20]</sup>	–	55	ns
$t_{OHA}$	Data hold from Address change	3	–	ns
$t_{ACE}$	$\overline{CE}$ LOW to data valid <sup>[20]</sup>	–	55	ns
$t_{DOE}$	$\overline{OE}$ LOW to data valid <sup>[20]</sup>	–	25	ns
$t_{LZOE}$	$\overline{OE}$ LOW to Low Z <sup>[20, 21, 22]</sup>	3	–	ns
$t_{HZOE}$	$\overline{OE}$ HIGH to High Z <sup>[20, 21, 22]</sup>	–	25	ns
$t_{LZCE}$	$\overline{CE}$ LOW to Low Z <sup>[20, 21, 22]</sup>	5	–	ns
$t_{HZCE}$	$\overline{CE}$ HIGH to High Z <sup>[20, 21, 22]</sup>	–	25	ns
$t_{PU}$	$\overline{CE}$ LOW to power-up <sup>[21]</sup>	0	–	ns
$t_{PD}$	$\overline{CE}$ HIGH to power-down <sup>[21]</sup>	–	35	ns
<b>Write Cycle</b>				
$t_{WC}$	Write cycle time	55	–	ns
$t_{SCE}$	$\overline{CE}$ LOW to write end	40	–	ns
$t_{AW}$	Address setup to write end	40	–	ns
$t_{HA}$	Address hold from write end	2	–	ns
$t_{SA}$	Address setup to write start	0	–	ns
$t_{PWE}$	R/ $\overline{W}$ pulse width	30	–	ns
$t_{SD}$	Data setup to write end	20	–	ns
$t_{HD}$	Data hold from write end	0	–	ns
$t_{HZWE}$	R/ $\overline{W}$ LOW to High Z <sup>[23]</sup>	–	25	ns
$t_{LZWE}$	R/ $\overline{W}$ HIGH to Low Z <sup>[23]</sup>	3	–	ns

### Notes

20. The internal write time of the memory is defined by the overlap of  $\overline{CE}$  LOW and R/ $\overline{W}$  LOW. Both signals must be low to initiate a write and either signal can terminate a write by going high. The data input setup and hold timing should be referenced to the rising edge of the signal that terminates the write.

21. AC Test Conditions use  $V_{OH} = 1.6$  V and  $V_{OL} = 1.4$  V.

22. These parameters are measured from the input signal changing, until the output pin goes to a high impedance state.

23. Parameters  $t_{LZCE}$ ,  $t_{LZWE}$ ,  $t_{HZOE}$ ,  $t_{LZOE}$ ,  $t_{HZCE}$  and  $t_{HZWE}$  are tested with C = 5 pF as in part (b) of [Figure 3 on page 5](#). Transition is measured  $\pm 500$  mV from steady state voltage.

## Switching Characteristics (continued)

Over the Operating Range

Parameter	Description	7C131E-55/7C136E-55/ 7C136AE-55		Unit
		Min	Max	
<b>Busy/Interrupt Timing</b> <sup>[24]</sup>				
t <sub>BLA</sub>	BUSY LOW from Address match	–	30	ns
t <sub>BHA</sub>	BUSY HIGH from Address mismatch <sup>[25]</sup>	–	30	ns
t <sub>BLC</sub>	BUSY LOW from CE LOW	–	30	ns
t <sub>BHC</sub>	BUSY HIGH from CE HIGH <sup>[25]</sup>	–	30	ns
t <sub>PS</sub>	Port setup for priority	5	–	ns
t <sub>BDD</sub>	BUSY HIGH to valid data	–	45	ns
t <sub>DDD</sub>	Write data valid to read data valid <sup>[25]</sup>	–	30	ns
t <sub>WDD</sub>	Write pulse to data delay <sup>[25]</sup>	–	45	ns
<b>Interrupt Timing</b>				
t <sub>WINS</sub>	R/W to INTERRUPT set time	–	45	ns
t <sub>EINS</sub>	CE to INTERRUPT set time	–	45	ns
t <sub>INS</sub>	Address to INTERRUPT set time	–	45	ns
t <sub>OINR</sub>	OE to INTERRUPT reset time <sup>[26]</sup>	–	45	ns
t <sub>EINR</sub>	CE to INTERRUPT reset time <sup>[26]</sup>	–	45	ns
t <sub>INR</sub>	Address to INTERRUPT reset time <sup>[26]</sup>	–	45	ns

### Notes

24. Test conditions used are Load 2.

25. A write operation on Port A, where Port A has priority, leaves the data on Port B's outputs undisturbed until one access time after one of the following:  
 BUSY on Port B goes HIGH.  
 Port B's address toggled.  
 CE for Port B is toggled.  
 R/W for Port B is toggled during valid read.

26. These parameters are measured from the input signal changing, until the output pin goes to a high impedance state.

## Switching Waveforms

Figure 4. Read Cycle No. 1 [27, 28]

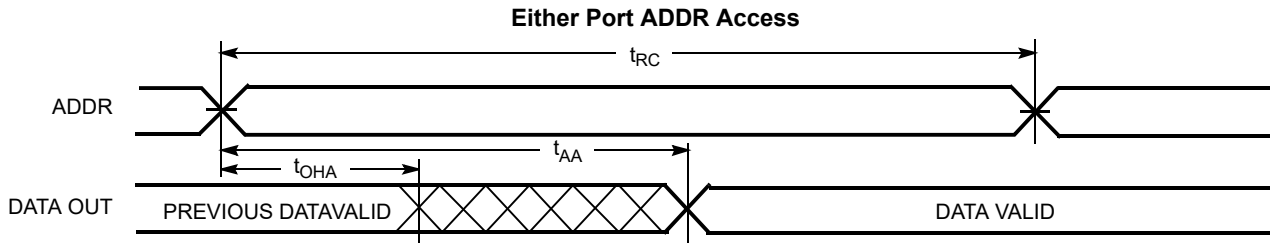


Figure 5. Read Cycle No. 2 [27, 29]

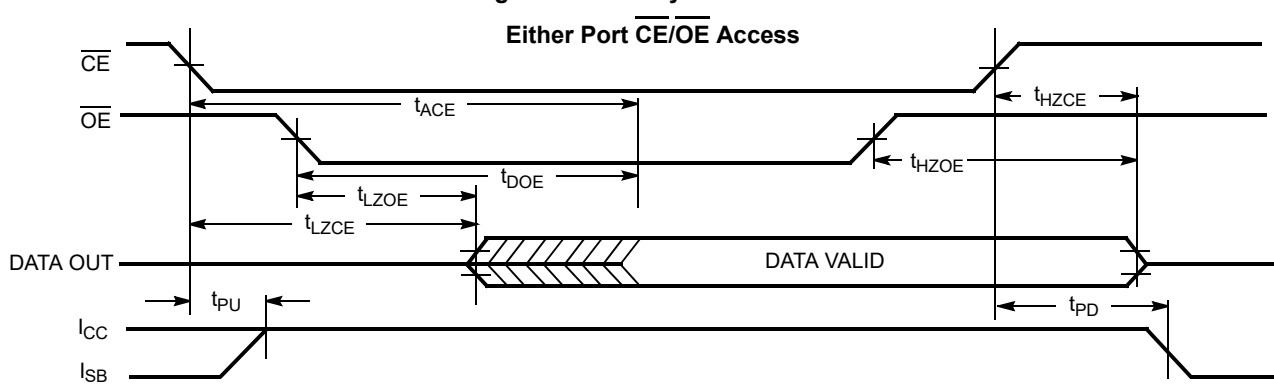
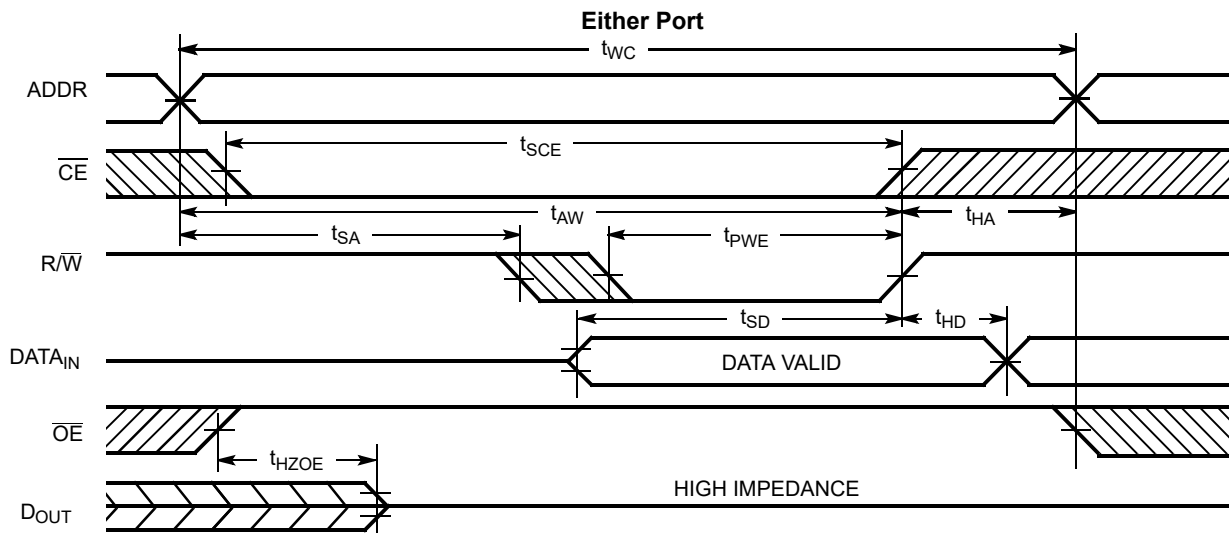


Figure 6. Write Cycle No. 1 ( $\overline{OE}$  Three-States Data I/Os – Either Port) [30, 31]



### Notes

27.  $\overline{R/W}$  is HIGH for read cycle.

28. Device is continuously selected,  $\overline{CE} = V_{IL}$  and  $\overline{OE} = V_{IL}$ .

29. Address valid prior to or coincident with  $\overline{CE}$  transition LOW.

30. The internal write time of the memory is defined by the overlap of  $\overline{CE}$  LOW and  $\overline{R/W}$  LOW. Both signals must be LOW to initiate a write and either signal can terminate a write by going HIGH. The data input setup and hold timing must be referenced to the rising edge of the signal that terminates the write.

31. If  $\overline{OE}$  is LOW during a  $\overline{R/W}$  controlled write cycle, the write pulse width must be the larger of  $t_{PWE}$  or  $t_{HZWE} + t_{SD}$  to allow the data I/O pins to enter high impedance and for data to be placed on the bus for the required  $t_{SD}$ .

Switching Waveforms (continued)

Figure 7. Write Cycle No. 2 (R/W Three-States Data I/Os – Either Port) [32, 33]

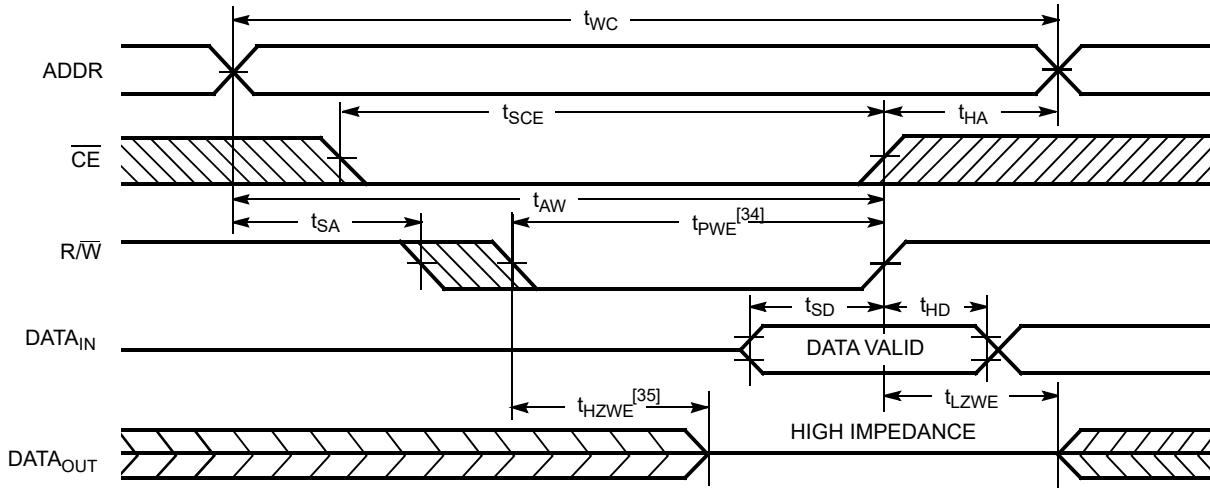
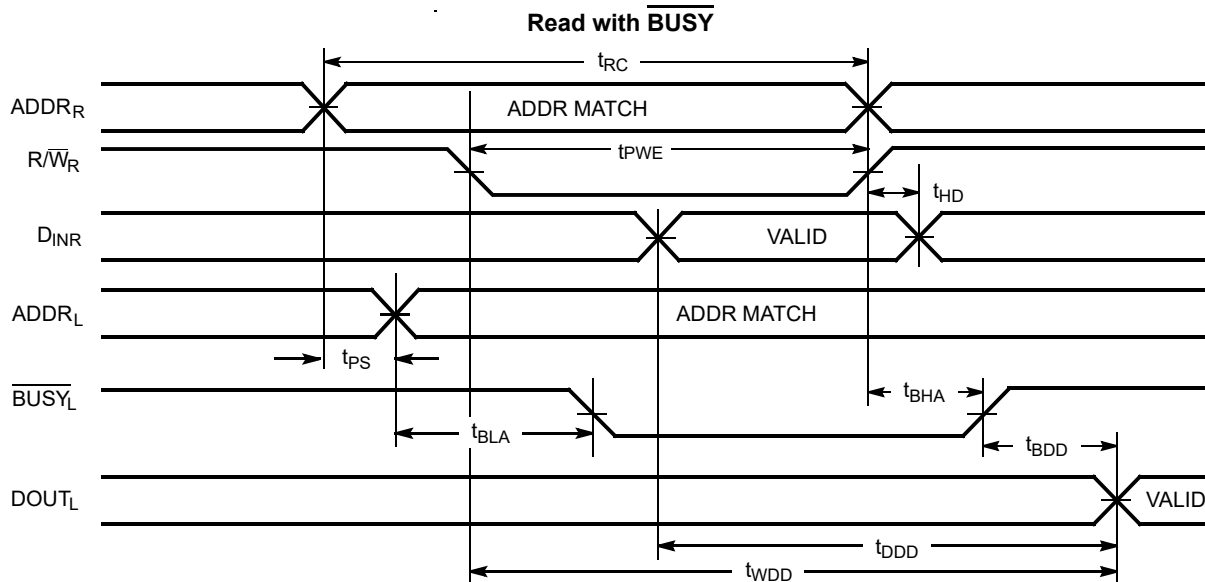


Figure 8. Read Cycle No. 3 [36]



Notes

- 32. These parameters are measured from the input signal changing, until the output pin goes to a high impedance state.
- 33. If the CE LOW transition occurs simultaneously with or after the R/W LOW transition, the outputs remain in a high impedance state.
- 34. If OE is LOW during a R/W controlled write cycle, the write pulse width must be the larger of  $t_{PWE}$  or  $(t_{HZWE} + t_{SD})$  to allow the I/O drivers to turn off and data to be placed on the bus for the required  $t_{SD}$ . If OE is HIGH during a R/Wn controlled write cycle, this requirements does not apply and the write pulse can be as short as the specified  $t_{PWE}$ .
- 35. Transition is measured  $\pm 500$  mV from steady state with a 5 pF load (including scope and jig). This parameter is sampled and not 100% tested.
- 36. CEL = CER = LOW.

Switching Waveforms (continued)

Figure 9. Busy Timing Diagram No. 1 ( $\overline{\text{CE}}$  Arbitration) [37]

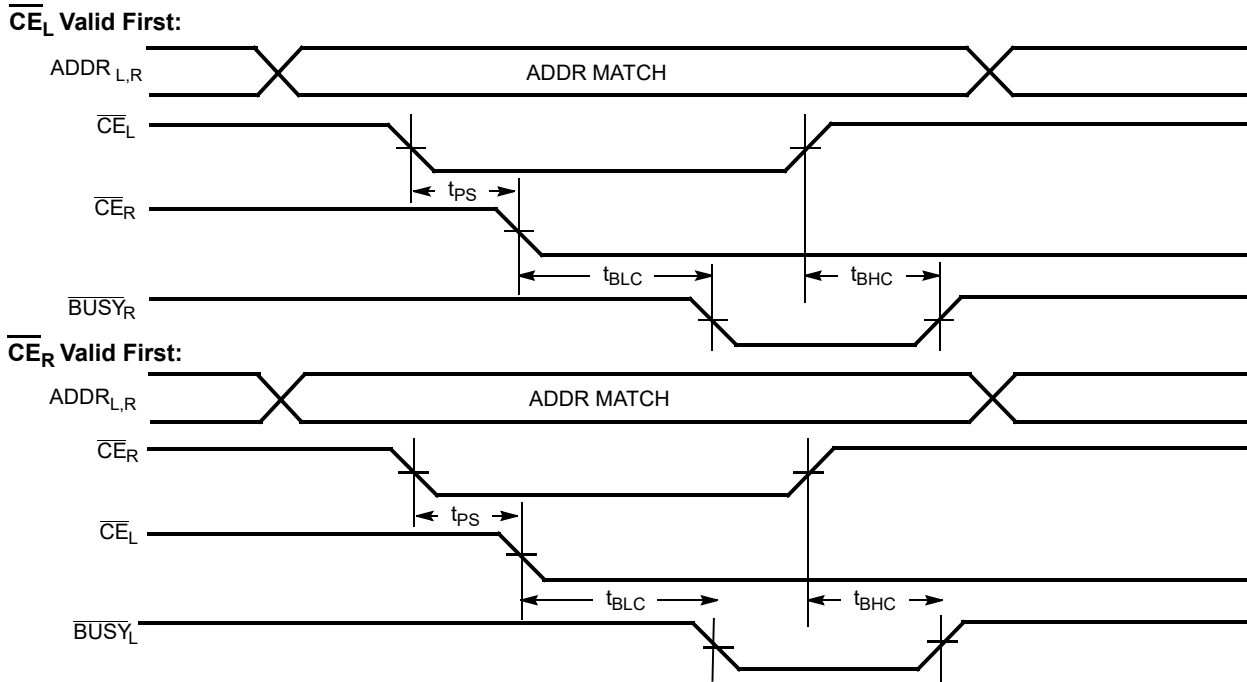
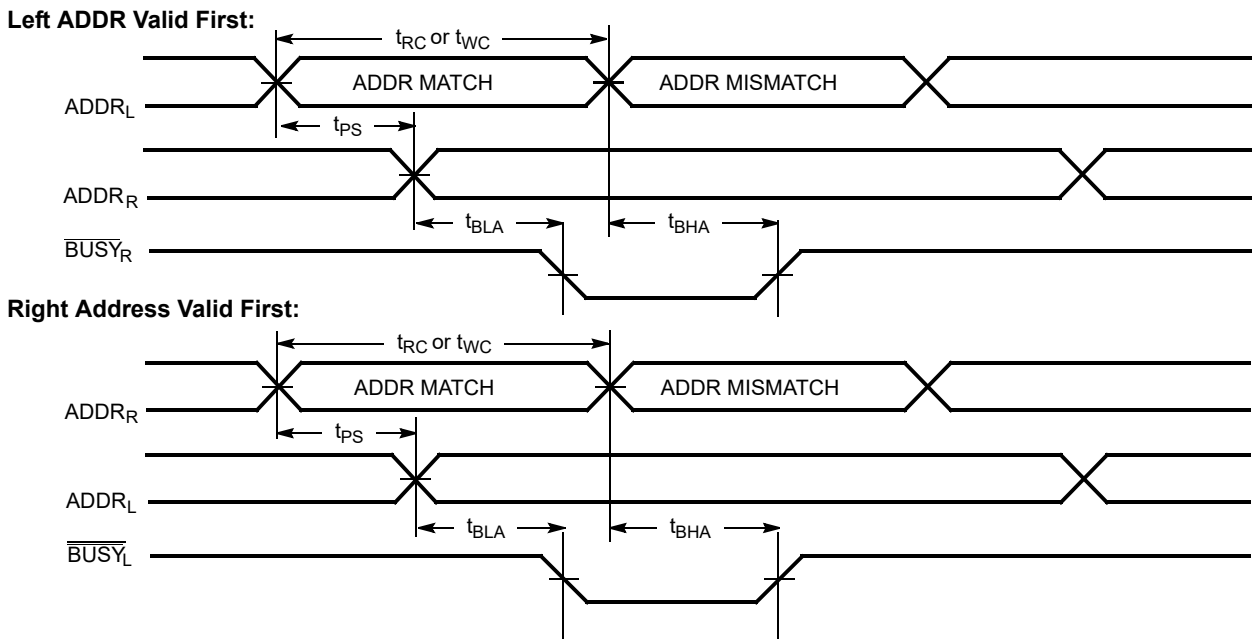


Figure 10. Busy Timing Diagram No. 2 (ADDR Arbitration) [37]

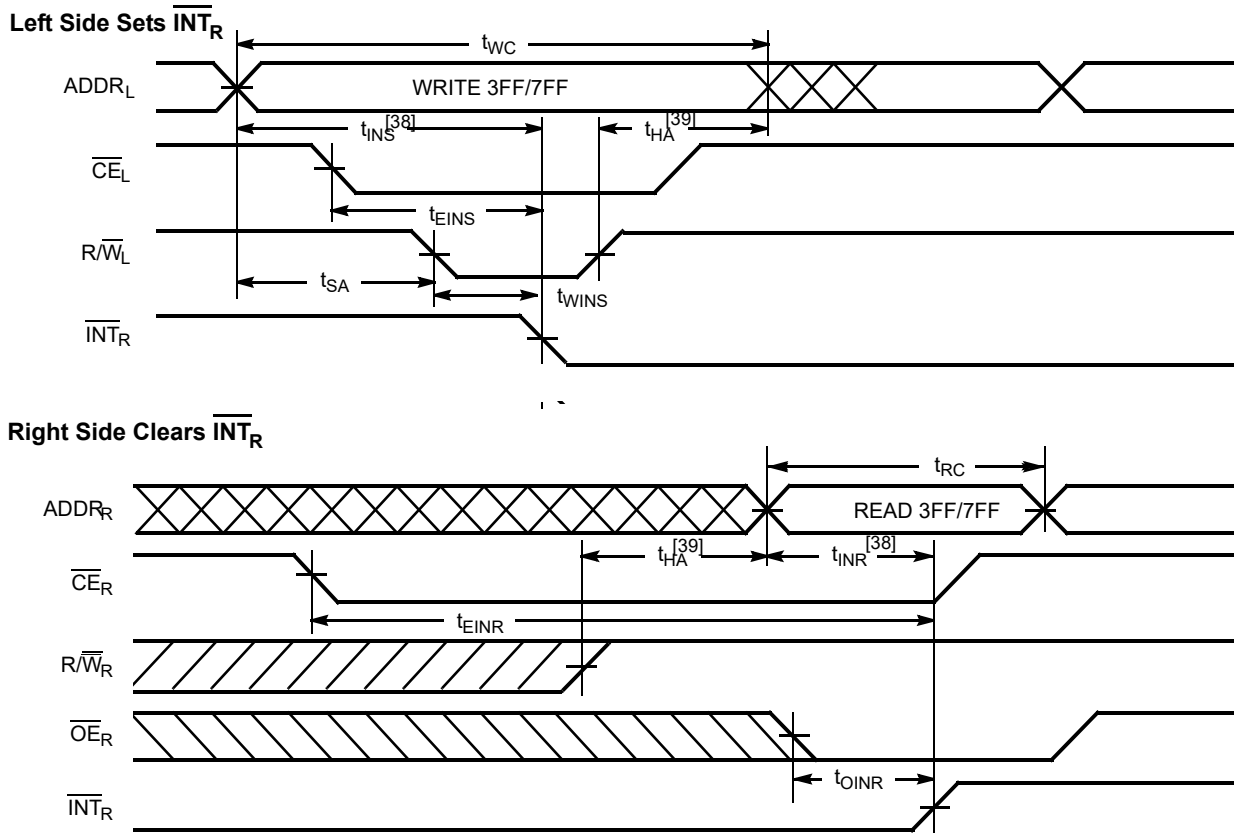


Note

37. If t<sub>PS</sub> is violated, the busy signal will be asserted on one side or the other, but there is no guarantee to which side  $\overline{\text{BUSY}}$  will be asserted.

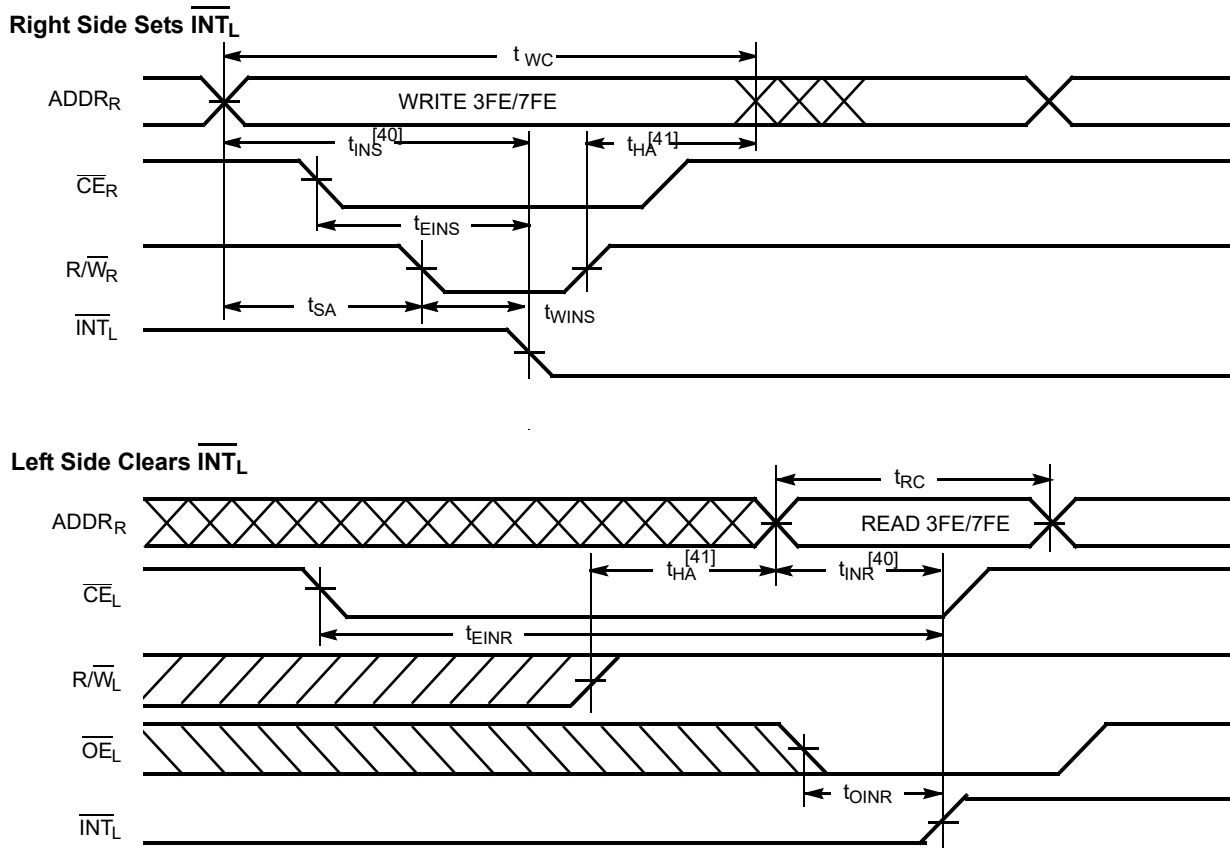
Switching Waveforms (continued)

Figure 11. Interrupt Timing Diagrams



Notes

- 38. Parameter  $t_{INS}$  or  $t_{INR}$  depends on which enable pin ( $\overline{CE}_L$  or  $R/\overline{W}_L$ ) is asserted last.
- 39. Parameter  $t_{HA}$  depends on which enable pin ( $\overline{CE}_L$  or  $R/\overline{W}_L$ ) is deasserted first.

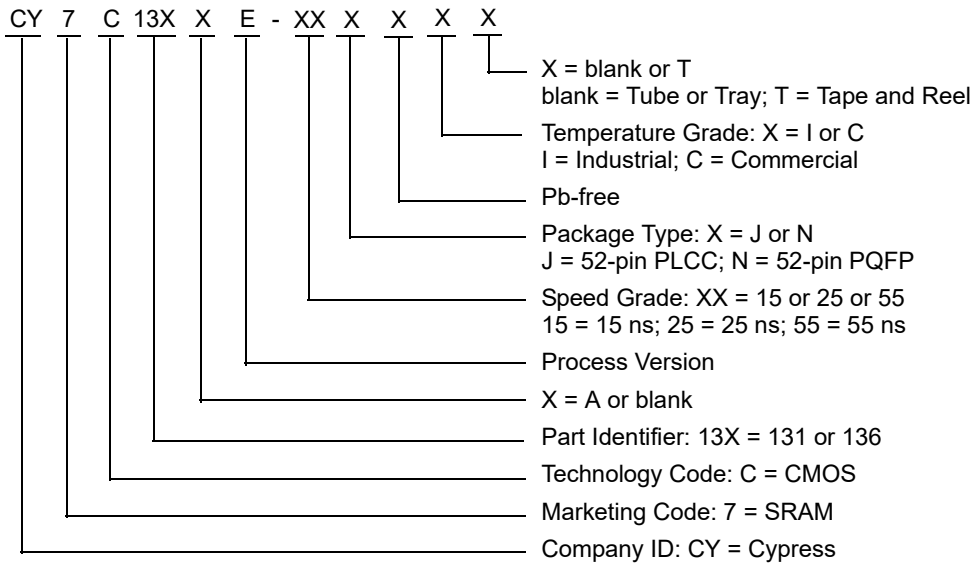
**Switching Waveforms (continued)**
**Figure 12. Interrupt Timing Diagrams**

**Notes**

40. Parameter  $t_{INS}$  or  $t_{INR}$  depends on which enable pin ( $\overline{CE}_L$  or R/ $\overline{W}_L$ ) is asserted last.
41. Parameter  $t_{HA}$  depends on which enable pin ( $\overline{CE}_L$  or R/ $\overline{W}_L$ ) is deasserted first.

## Ordering Information

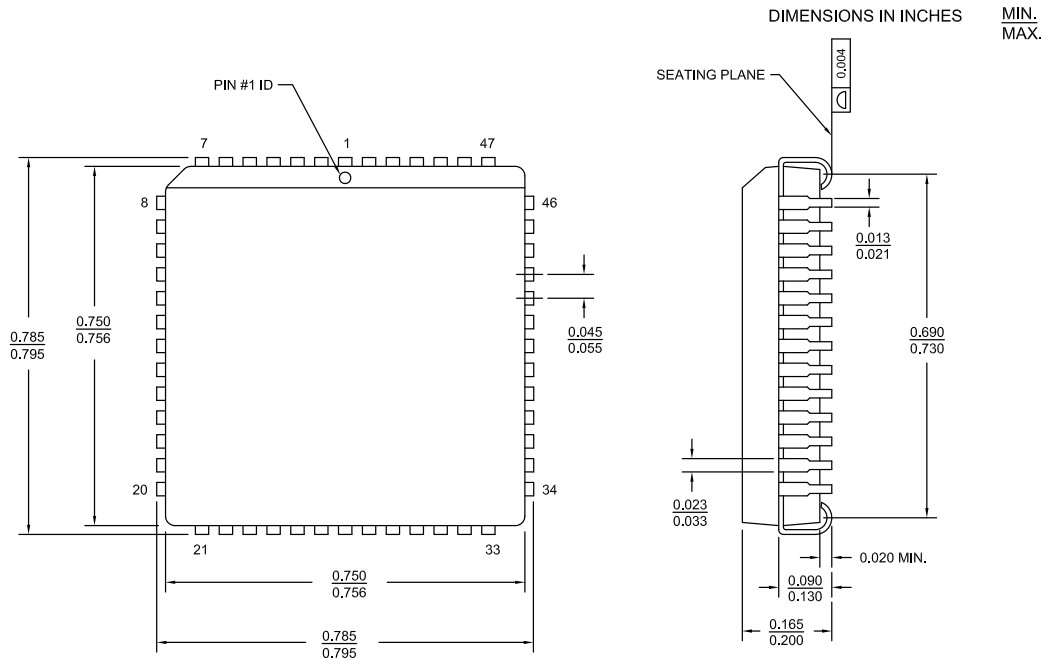
Speed (ns)	Ordering Code	Package Name	Package Type	Operating Range
<b>1K × 8 Dual-port SRAM</b>				
15	CY7C131E-15NXI	51-85042	52-pin PQFP (Pb-free)	Industrial
	CY7C131E-15NXIT	51-85042	52-pin PQFP (Pb-free), Tape and Reel	
25	CY7C131E-25JXC	51-85004	52-pin PLCC (Pb-free)	Commercial
	CY7C131E-25JXCT	51-85004	52-pin PLCC (Pb-free), Tape and Reel	
	CY7C131E-25NXC	51-85042	52-pin PQFP (Pb-free)	
	CY7C131E-25NXCT	51-85042	52-pin PQFP (Pb-free), Tape and Reel	
55	CY7C131E-55JXC	51-85004	52-pin PLCC (Pb-free)	Commercial
	CY7C131E-55JXCT	51-85004	52-pin PLCC (Pb-free), Tape and Reel	
	CY7C131E-55NXC	51-85042	52-pin PQFP (Pb-free)	
	CY7C131E-55NXCT	51-85042	52-pin PQFP (Pb-free), Tape and Reel	
	CY7C131E-55JXI	51-85004	52-pin PLCC (Pb-free)	Industrial
	CY7C131E-55JXIT	51-85004	52-pin PLCC (Pb-free), Tape and Reel	
<b>2K × 8 Dual-port SRAM</b>				
25	CY7C136E-25JXC	51-85004	52-pin PLCC (Pb-free)	Commercial
	CY7C136E-25JXCT	51-85004	52-pin PLCC (Pb-free), Tape and Reel	
	CY7C136E-25NXC	51-85042	52-pin PQFP (Pb-free)	
	CY7C136E-25NXCT	51-85042	52-pin PQFP (Pb-free), Tape and Reel	
	CY7C136E-25JXI	51-85004	52-pin PLCC (Pb-free)	Industrial
	CY7C136E-25JXIT	51-85004	52-pin PLCC (Pb-free), Tape and Reel	
55	CY7C136E-55JXC	51-85004	52-pin PLCC (Pb-free)	Commercial
	CY7C136E-55JXCT	51-85004	52-pin PLCC (Pb-free), Tape and Reel	
	CY7C136E-55NXC	51-85042	52-pin PQFP (Pb-free)	
	CY7C136E-55NXCT	51-85042	52-pin PQFP (Pb-free), Tape and Reel	
	CY7C136AE-55JXI	51-85004	52-pin PLCC (Pb-free)	Industrial
	CY7C136AE-55JXIT	51-85004	52-pin PLCC (Pb-free), Tape and Reel	
	CY7C136AE-55NXI	51-85042	52-pin PQFP (Pb-free)	
	CY7C136AE-55NXIT	51-85042	52-pin PQFP (Pb-free), Tape and Reel	

**Ordering Code Definitions**

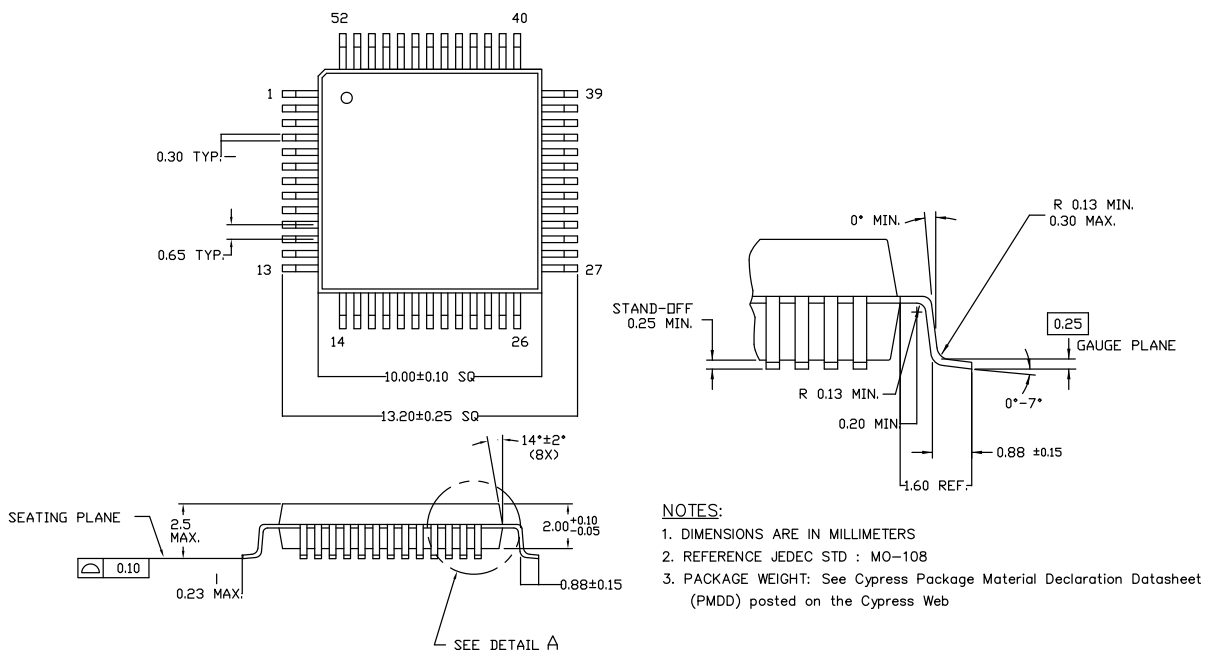


**Package Diagrams**

**Figure 13. 52-pin PLCC (0.756 × 0.756 Inches) J52 Package Outline, 51-85004**



**Figure 14. 52-pin PQFP (10 × 10 × 2.0 mm) N5210 Package Outline, 51-85042**



## Acronyms

Acronym	Description
$\overline{CE}$	Chip Enable
CMOS	Complementary Metal Oxide Semiconductor
I/O	Input/Output
$\overline{OE}$	Output Enable
PLCC	Plastic Leaded Chip Carrier
PQFP	Plastic Quad Flat Package
SRAM	Static Random Access Memory
TTL	Transistor-Transistor Logic
$\overline{WE}$	Write Enable

## Document Conventions

### Units of Measure

Symbol	Unit of Measure
$^{\circ}C$	degree Celsius
$\mu A$	microampere
mA	milliampere
mV	millivolt
ns	nanosecond
$\Omega$	ohm
%	percent
pF	picofarad
V	volt
W	watt

## Document History Page

Document Title: CY7C131E/CY7C131AE/CY7C136E/CY7C136AE, 1K/2K × 8 Dual-Port Static RAM				
Document Number: 001-64231				
Rev.	ECN No.	Orig. of Change	Submission Date	Description of Change
**	3038037	ADMU	09/24/2010	New data sheet.
*A	3394800	ADMU	10/04/2011	<p>Changed status from Preliminary to Final.</p> <p>Updated <a href="#">Maximum Ratings</a> (Removed (Pin 48 to Pin 24)).</p> <p>Updated <a href="#">Electrical Characteristics</a> (changed minimum value of I<sub>OZ</sub> parameter from -10 µA to -20 µA, changed maximum value of I<sub>OZ</sub> parameter from +10 µA to +20 µA and changed maximum value of I<sub>SB3</sub> from 0.5 mA to 15 mA for both Commercial and Industrial temperature ranges).</p> <p>Updated <a href="#">Package Diagrams</a> (Updated revision of 51-85004 from *B to *C and revision of 51-85042 from *A to *C).</p> <p>Updated in new template.</p>
*B	3403147	ADMU	10/12/2011	No technical updates.
*C	3435230	ADMU	11/17/2011	<p>Updated <a href="#">Features</a> (Removed a feature “Expandable data bus width to 16 bits or more using Master/Slave chip select when using more than one device.” and updated another feature to read as “BUSY output flag to indicate access to the same location by both ports.”).</p> <p>Updated <a href="#">Functional Description</a> (Updated the sentence in the first paragraph to read as “The CY7C131E / CY7C131AE / CY7C136E / CY7C136AE can be used as a standalone dual-port static RAM.”).</p> <p>Updated Note 2 to read as “BUSY is a push-pull output. No pull-up resistor required.”.</p> <p>Updated Note 3 to read as “Interrupt: push-pull output. No pull-up resistor required.”.</p> <p>Updated <a href="#">Maximum Ratings</a> (Removed “(per MIL-STD-883, Method 3015)”).</p> <p>Updated <a href="#">Electrical Characteristics</a> (Removed the Note “See the last page of this specification for Group A subgroup testing information.” and its reference in Parameter column.).</p> <p>Updated <a href="#">Capacitance</a> (Changed maximum value of C<sub>IN</sub> parameter from 10 pF to 15 pF).</p> <p>Updated <a href="#">AC Test Loads and Waveforms</a>.</p> <p>Updated <a href="#">Switching Characteristics</a> (Removed the Note “See the last page of this specification for Group A subgroup testing information.” and its reference in Parameter column.).</p> <p>Updated <a href="#">Switching Characteristics</a> (Changed the minimum value of t<sub>OHA</sub> from 0 ns to 3 ns).</p> <p>Removed the section “Typical DC and AC Characteristics”.</p> <p>Removed the section “Reference Documents”.</p>

**Document History Page (continued)**

Document Title: CY7C131E/CY7C131AE/CY7C136E/CY7C136AE, 1K/2K × 8 Dual-Port Static RAM				
Document Number: 001-64231				
Rev.	ECN No.	Orig. of Change	Submission Date	Description of Change
*D	3620277	ADMU	06/15/2012	Updated missing overbars in all instances across the document. Updated <a href="#">Selection Guide</a> : Updated all values of "Typical Operating Current" parameter. Updated <a href="#">Maximum Ratings</a> : Changed value of "Static discharge voltage" from ">2001 V" to ">1100 V". Updated <a href="#">Electrical Characteristics</a> : Fixed typos. Added Note 8 and referred the same note in "Typ" column. Updated all values of I <sub>CC</sub> parameter. Updated <a href="#">AC Test Loads and Waveforms</a> : Updated <a href="#">Figure 3</a> (Replaced 3 ns with 5 ns). Updated <a href="#">Switching Characteristics</a> : Added Note 17 and referred the same note in "Busy/Interrupt Timing". Updated <a href="#">Switching Characteristics</a> : Added Note 24 and referred the same note in "Busy/Interrupt Timing". Updated <a href="#">Switching Waveforms</a> : Added Note 34 and referred the same note in "t <sub>PWE</sub> " in <a href="#">Figure 7</a> . Added Note 35 and referred the same note in "t <sub>PWE</sub> " in <a href="#">Figure 7</a> . Added Note 38 and referred the same note in "t <sub>INS</sub> " in <a href="#">Figure 11</a> . Added Note 39 and referred the same note in "t <sub>HA</sub> " in <a href="#">Figure 11</a> . Added Note 40 and referred the same note in "t <sub>INS</sub> " in <a href="#">Figure 12</a> . Added Note 41 and referred the same note in "t <sub>HA</sub> " in <a href="#">Figure 12</a> . Removed "Busy Timing Diagram No. 3". Updated <a href="#">Package Diagrams</a> : spec 51-85042 – Changed revision from *C to *D.
*E	3997575	ADMU	05/15/2013	Updated <a href="#">Package Diagrams</a> : spec 51-85004 – Changed revision from *C to *D. Added Appendix: Silicon Errata for CY7C131E/131AE/136E/136AE 1K/2K × 8 Dual Port Static RAM.
*F	4241174	ADMU	01/09/2014	Removed Appendix: Silicon Errata for CY7C131E/131AE/136E/136AE 1K/2K × 8 Dual Port Static RAM. Updated to new template.
*G	4559526	AMDU	11/07/2014	Updated <a href="#">Functional Description</a> : Added "For a complete list of related documentation, click <a href="#">here</a> ." at the end.
*H	5397125	NILE	08/09/2016	Updated <a href="#">Ordering Information</a> : Updated part numbers. Updated <a href="#">Package Diagrams</a> : spec 51-85042 – Changed revision from *D to *E. Updated to new template.
*I	5966445	AESATMP8	11/14/2017	Updated logo and Copyright.
*J	6175372	NILE	07/31/2018	Updated <a href="#">Ordering Information</a> : Added Tube information to part number decoder. Updated Sales page.

## Sales, Solutions, and Legal Information

### Worldwide Sales and Design Support

Cypress maintains a worldwide network of offices, solution centers, manufacturer's representatives, and distributors. To find the office closest to you, visit us at [Cypress Locations](#).

#### Products

Arm® Cortex® Microcontrollers	<a href="http://cypress.com/arm">cypress.com/arm</a>
Automotive	<a href="http://cypress.com/automotive">cypress.com/automotive</a>
Clocks & Buffers	<a href="http://cypress.com/clocks">cypress.com/clocks</a>
Interface	<a href="http://cypress.com/interface">cypress.com/interface</a>
Internet of Things	<a href="http://cypress.com/iot">cypress.com/iot</a>
Memory	<a href="http://cypress.com/memory">cypress.com/memory</a>
Microcontrollers	<a href="http://cypress.com/mcu">cypress.com/mcu</a>
PSoC	<a href="http://cypress.com/psoc">cypress.com/psoc</a>
Power Management ICs	<a href="http://cypress.com/pmic">cypress.com/pmic</a>
Touch Sensing	<a href="http://cypress.com/touch">cypress.com/touch</a>
USB Controllers	<a href="http://cypress.com/usb">cypress.com/usb</a>
Wireless Connectivity	<a href="http://cypress.com/wireless">cypress.com/wireless</a>

#### PSoC® Solutions

[PSoC 1](#) | [PSoC 3](#) | [PSoC 4](#) | [PSoC 5LP](#) | [PSoC 6 MCU](#)

#### Cypress Developer Community

[Community](#) | [Projects](#) | [Video](#) | [Blogs](#) | [Training](#) | [Components](#)

#### Technical Support

[cypress.com/support](http://cypress.com/support)

© Cypress Semiconductor Corporation, 2010-2018. This document is the property of Cypress Semiconductor Corporation and its subsidiaries, including Spansion LLC ("Cypress"). This document, including any software or firmware included or referenced in this document ("Software"), is owned by Cypress under the intellectual property laws and treaties of the United States and other countries worldwide. Cypress reserves all rights under such laws and treaties and does not, except as specifically stated in this paragraph, grant any license under its patents, copyrights, trademarks, or other intellectual property rights. If the Software is not accompanied by a license agreement and you do not otherwise have a written agreement with Cypress governing the use of the Software, then Cypress hereby grants you a personal, non-exclusive, nontransferable license (without the right to sublicense) (1) under its copyright rights in the Software (a) for Software provided in source code form, to modify and reproduce the Software solely for use with Cypress hardware products, only internally within your organization, and (b) to distribute the Software in binary code form externally to end users (either directly or indirectly through resellers and distributors), solely for use on Cypress hardware product units, and (2) under those claims of Cypress's patents that are infringed by the Software (as provided by Cypress, unmodified) to make, use, distribute, and import the Software solely for use with Cypress hardware products. Any other use, reproduction, modification, translation, or compilation of the Software is prohibited.

TO THE EXTENT PERMITTED BY APPLICABLE LAW, CYPRESS MAKES NO WARRANTY OF ANY KIND, EXPRESS OR IMPLIED, WITH REGARD TO THIS DOCUMENT OR ANY SOFTWARE OR ACCOMPANYING HARDWARE, INCLUDING, BUT NOT LIMITED TO, THE IMPLIED WARRANTIES OF MERCHANTABILITY AND FITNESS FOR A PARTICULAR PURPOSE. No computing device can be absolutely secure. Therefore, despite security measures implemented in Cypress hardware or software products, Cypress does not assume any liability arising out of any security breach, such as unauthorized access to or use of a Cypress product. In addition, the products described in these materials may contain design defects or errors known as errata which may cause the product to deviate from published specifications. To the extent permitted by applicable law, Cypress reserves the right to make changes to this document without further notice. Cypress does not assume any liability arising out of the application or use of any product or circuit described in this document. Any information provided in this document, including any sample design information or programming code, is provided only for reference purposes. It is the responsibility of the user of this document to properly design, program, and test the functionality and safety of any application made of this information and any resulting product. Cypress products are not designed, intended, or authorized for use as critical components in systems designed or intended for the operation of weapons, weapons systems, nuclear installations, life-support devices or systems, other medical devices or systems (including resuscitation equipment and surgical implants), pollution control or hazardous substances management, or other uses where the failure of the device or system could cause personal injury, death, or property damage ("Unintended Uses"). A critical component is any component of a device or system whose failure to perform can be reasonably expected to cause the failure of the device or system, or to affect its safety or effectiveness. Cypress is not liable, in whole or in part, and you shall and hereby do release Cypress from any claim, damage, or other liability arising from or related to all Unintended Uses of Cypress products. You shall indemnify and hold Cypress harmless from and against all claims, costs, damages, and other liabilities, including claims for personal injury or death, arising from or related to any Unintended Uses of Cypress products.

Cypress, the Cypress logo, Spansion, the Spansion logo, and combinations thereof, WICED, PSoC, CapSense, EZ-USB, F-RAM, and Traveo are trademarks or registered trademarks of Cypress in the United States and other countries. For a more complete list of Cypress trademarks, visit [cypress.com](http://cypress.com). Other names and brands may be claimed as property of their respective owners.

## Looking for pricing, stock, or lifecycle information?

Click below to explore more details on WIN SOURCE:

 [View CY7C136E-25NXC on WIN SOURCE](#)

 [Cypress Semiconductor Corp](#) Information

## Optimize Your Supply Chain with WIN SOURCE Solutions

-  Global Sourcing Solution
-  Obsolete Management
-  Cost Control Management
-  Shortage Management
-  Alternative Solution
-  Excess Inventory Management