



**THE DATASHEET OF
SI8286CC-ISR**



Si8285/86 Data Sheet

SiC FET-Ready ISODrivers with System Safety Features

The Si828x (Si8285 and Si8286) are isolated, high current gate drivers with integrated system safety and feedback functions. The devices are ideal for driving Silicon Carbide (SiC) FETs, power MOSFETs, and IGBTs used in a wide variety of inverter and motor control applications. The Si8285 and Si8286 isolated gate drivers utilize Skyworks' proprietary silicon isolation technology, supporting up to 5.0 kVrms withstand voltage per UL1577. This technology enables higher performance, reduced variation with temperature and age, tighter part-to-part matching, and superior common-mode rejection compared to other isolated gate driver technologies.

The input to the device is a complementary digital input that can be utilized in several configurations. The input side of the isolation also has several control and feedback digital signals. The controller to the device receives information about the driver side power state (Si8285) and fault state of the device and recovers the device from fault through an active-low reset pin.

On the output side, the Si8285 provides separate pull-up and pull-down pins for the gate. The Si8286 has a single pin for both functions. A dedicated DSAT pin detects a desaturation condition and immediately shuts down the driver in a controlled manner using soft shutdown. The Si8285 device also integrates a Miller clamp to assure a strong turn-off of the power switch.

Automotive Grade is available. These products are built using automotive-specific flows at all steps in the manufacturing process to ensure the robustness and low defectivity required for automotive applications.

Industrial Applications

- SiC/IGBT/ MOSFET gate drives
- Industrial and renewable energy inverters
- AC, Brushless, and DC motor controls
- Variable-speed motor controllers
- Isolated switch mode power supplies

Automotive Applications

- Hybrid electric and electric vehicles
- Traction inverters
- On-board chargers
- Inductive chargers
- DC-DC converters

Safety Regulatory Approvals

- UL 1577 recognized: 5000 V_{RMS} for 1 minute
- CSA approval: IEC 62368-1 (reinforced insulation)
- VDE certification: IEC 60747-17 (basic, pending), 62368-1 (reinforced insulation)
- CQC certification approval: GB4943.1-2011 (reinforced insulation)

KEY FEATURES

- System Safety Features
 - DESAT detection
 - FAULT feedback
 - Undervoltage Lock Out (UVLO) including 13 and 15 V for SiC FET
 - Soft shutdown on fault condition
 - Ultra-fast short circuit protection << 1 μ s
 - Robust reference design for current boost, DESAT adjustment, soft shutdown tuning, and external Miller clamp transistor
- High-performance isolation technology
- High CMTI 125 kV/ μ s
- 30 V driver-side supply voltage
- Integrated Miller clamp (Si8285 only)
- Power ready pin (Si8285 only)
- Complementary driver control input
- Si8286 pin-out compatible with HCPL-316J
- Compact package: 16-pin wide-body SOIC
- Automotive-grade OPNs available
 - PPAP documentation support
 - IMDS and CAMDS listing support
 - AEC-Q100 Qualified
- Temp range: -40 to 125 °C

Table of Contents

| | |
|--|-----------|
| 1. Si8285/86 Ordering Guide | 3 |
| 2. Product Overview | 4 |
| 2.1 Isolation Channel Description | 4 |
| 2.2 Device Behavior | 5 |
| 2.3 Main Features | 5 |
| 3. Applications Information | 7 |
| 3.1 Recommended Application Circuits | 7 |
| 3.1.1 Power | 8 |
| 3.1.2 Inputs | 8 |
| 3.1.3 Reset, RDY, and Fault | 9 |
| 3.1.4 Desaturation | 9 |
| 3.1.5 Driver Outputs | 10 |
| 3.1.6 Miller Clamp (Si8285 Only) | 11 |
| 3.1.7 Additional Adjustments for the Si8285 and Si8286 | 11 |
| 3.2 Layout Considerations | 11 |
| 4. Electrical Specifications | 12 |
| 4.1 Timing Diagrams | 16 |
| 4.2 Typical Operating Characteristics | 17 |
| 4.3 Regulatory Information | 20 |
| 5. Pin Descriptions | 23 |
| 6. Packaging | 24 |
| 6.1 Package Outline: 16-Pin Wide Body SOIC | 24 |
| 6.2 Land Pattern: 16-Pin Wide Body SOIC | 26 |
| 6.3 Top Marking: 16-Pin Wide Body SOIC | 27 |
| 7. Revision History | 28 |

1. Si8285/86 Ordering Guide

Industrial and Automotive Grade OPNs

Industrial-grade devices (part numbers having an “-I” in their suffix) are built using well-controlled, high-quality manufacturing flows to ensure robustness and reliability. Qualifications are compliant with JEDEC, and defect reduction methodologies are used throughout definition, design, evaluation, qualification, and mass production steps.

Automotive-grade devices (part numbers having an “-A” in their suffix) are built using automotive-specific flows at all steps in the manufacturing process to ensure robustness and low defectivity. These devices are supported with AIAG-compliant Production Part Approval Process (PPAP) documentation, and feature International Material Data System (IMDS) and China Automotive Material Data System (CAMDS) listing. Qualifications are compliant with AEC-Q100, and a zero-defect methodology is maintained throughout definition, design, evaluation, qualification, and mass production steps.

Table 1.1. Si8285/86 Ordering Guide

| Ordering Part Number (OPN) | A-Grade OPN | Ordering Options | | | Package |
|----------------------------|-------------|-------------------|----------|--------------------------|------------|
| | | Pin Compatibility | UVLO (V) | Isolation Rating (kVrms) | |
| Si8285BC-IS | Si8285BC-AS | — | 9 | 3.75 | WB SOIC-16 |
| Si8285CC-IS | Si8285CC-AS | — | 12 | 3.75 | WB SOIC-16 |
| Si8285DC-IS | Si8285DC-AS | — | 13 | 3.75 | WB SOIC-16 |
| Si8285EC-IS | Si8285EC-AS | — | 15 | 3.75 | WB SOIC-16 |
| Si8286BC-IS | Si8286BC-AS | HCPL-316J | 9 | 3.75 | WB SOIC-16 |
| Si8286CC-IS | Si8286CC-AS | HCPL-316J | 12 | 3.75 | WB SOIC-16 |
| Si8286DC-IS | Si8286DC-AS | HCPL-316J | 13 | 3.75 | WB SOIC-16 |
| Si8286EC-IS | Si8286EC-AS | HCPL-316J | 15 | 3.75 | WB SOIC-16 |
| Si8285BD-IS | Si8285BD-AS | — | 9 | 5 | WB SOIC-16 |
| Si8285CD-IS | Si8285CD-AS | — | 12 | 5 | WB SOIC-16 |
| Si8285DD-IS | Si8285DD-AS | — | 13 | 5 | WB SOIC-16 |
| Si8285ED-IS | Si8285ED-AS | — | 15 | 5 | WB SOIC-16 |
| Si8286BD-IS | Si8286BD-AS | HCPL-316J | 9 | 5 | WB SOIC-16 |
| Si8286CD-IS | Si8286CD-AS | HCPL-316J | 12 | 5 | WB SOIC-16 |
| Si8286DD-IS | Si8286DD-AS | HCPL-316J | 13 | 5 | WB SOIC-16 |
| Si8286ED-IS | Si8286ED-AS | HCPL-316J | 15 | 5 | WB SOIC-16 |

Note:

1. Add an “R” at the end of the Part Number to denote Tape and Reel option.
2. All packages are RoHS-compliant with peak solder reflow temperatures of 260° C according to the JEDEC industry standard classifications.
3. A-grade OPNs are AEC-Q100 qualified.
4. “Si” and “SI” are used interchangeably.
5. Automotive-Grade devices (with an “-A” suffix) are identical in construction materials, topside marking, and electrical parameters to their Industrial-Grade (with a “-I” suffix) version counterparts. Automotive-Grade products are produced utilizing full automotive process flows and additional statistical process controls throughout the manufacturing flow. The Automotive-Grade part number is included on shipping labels.
6. In the top markings of each device, the Manufacturing Code represented by either “RTTTTT” or “TTTTTT” contains as its first character a letter in the range N through Z to indicate Automotive-Grade.

2. Product Overview

2.1 Isolation Channel Description

The operation of a Si8285 or Si8286 channel is analogous to that of an optocoupler and gate driver, except an RF carrier is modulated instead of light. This simple architecture provides a robust isolated data path and requires no special considerations or initialization at start-up. A simplified block diagram for a single Si828x channel is shown in the figure below.

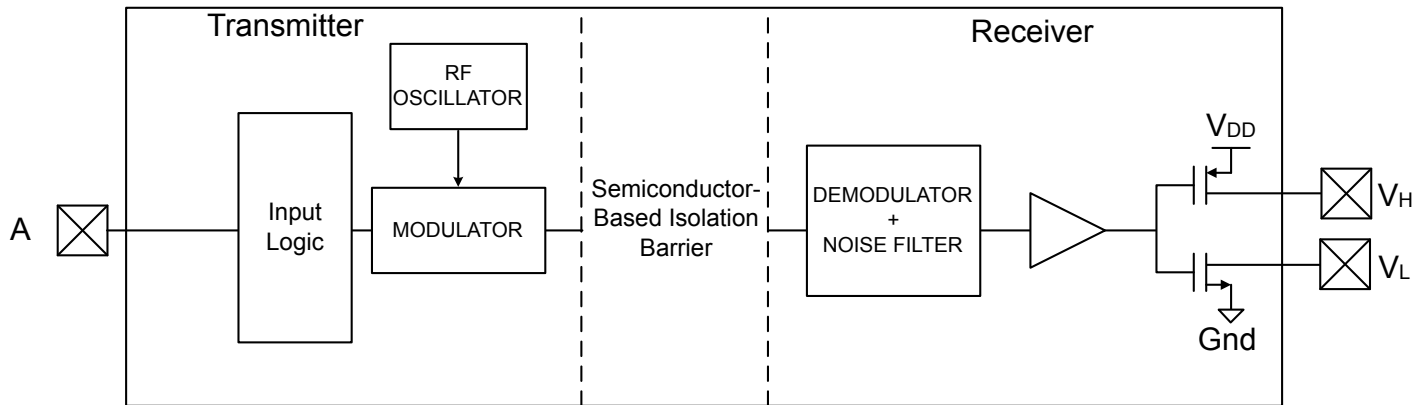


Figure 2.1. Simplified Channel Diagram

A channel consists of an RF Transmitter and RF Receiver separated by a semiconductor-based isolation barrier. Referring to the Transmitter, input A modulates the carrier provided by an RF oscillator using on/off keying. The Receiver contains a demodulator that decodes the input state according to its RF energy content and applies the result to output B via the output driver. This RF on/off keying scheme is superior to pulse code schemes as it provides best-in-class noise immunity, low power consumption, and better immunity to magnetic fields.

2.2 Device Behavior

The following tables show the truth tables for the Si8285 and Si8286.

Table 2.1. Si8285 Truth Table

| IN+ | IN– | VDDA State | VDDB–VMID State | Desaturation State | VH | VL | RDY | FLTb |
|-----|-----|------------|-----------------|--------------------|---------|------------------------|-----|------|
| H | H | Powered | Powered | Undetected | Hi-Z | Pull-down | H | H |
| H | L | Powered | Powered | Undetected | Pull-up | Hi-Z | H | H |
| L | X | Powered | Powered | Undetected | Hi-Z | Pull-down | H | H |
| X | X | Powered | Unpowered | — | — | — | L | H |
| X | X | Powered | Powered | Detected | Hi-Z | Pull-down ¹ | H | L |

Note:

1. Driver state after soft shutdown.
2. This table is valid if RSTb is deactivated (high). For further information please refer to **Reset (RSTb) Pin description**.

Table 2.2. Si8286 Truth Table

| IN+ | IN– | VDDA State | VDDB–VMID State | Desaturation State | VO | FLTb |
|-----|-----|------------|-----------------|--------------------|------------------|------|
| H | H | Powered | Powered | Undetected | Low | H |
| H | L | Powered | Powered | Undetected | High | H |
| L | X | Powered | Powered | Undetected | Low | H |
| X | X | Powered | Powered | Detected | Low ¹ | L |

Note:

1. Driver state after soft shutdown.

2.3 Main Features

Input

The IN+ and IN– inputs to the Si828x devices act as a complementary pair. If IN– is held low, then IN+ will act as an active-high input for driver control. Alternatively, if IN+ is held high, then IN– can be used as an active-low input for driver control. When IN– is used as the control signal, taking IN+ low will hold the output driver low.

Output

The Si8285 and Si8286 devices are different in how the driver output is presented. The Si8285 has separate pins for gate drive high (VH) and gate drive low (VL). This makes it simple to use different gate resistors to control IGBT VCE or SiC FET VDS rise and fall time. The Si8286 has both actions combined in the single VO pin. A weak internal pulldown resistor of about 200 kΩ is provided to ensure that the driver output defaults to low if power on the secondary side is interrupted.

Desaturation Detection

The Si828x provides sufficient voltage and current to drive and keep the SiC FET or IGBT in saturation during on time to minimize power dissipation and maintain high efficiency operation. However, abnormal load conditions can force the SiC FET or IGBT out of saturation and cause permanent damage to the switch.

To protect the SiC FET or IGBT during abnormal load conditions, the Si828x detects a switch desaturation condition, shuts down the driver upon detecting a fault, and provides a fault indication to the controller. These integrated features provide desaturation protection with minimum external BOM cost.

Soft Shutdown

To avoid excessive dV/dt on the SiC FET or IGBT during fault shut down, the Si828x implements a soft shut down feature to discharge the switch's gate slowly.

Fault (FLTb) Pin

FLTb is an open-drain type output. A pull-up resistor takes the pin high. When the desaturation condition is detected, the Si828x indicates the fault by bringing the FLTb pin low. FLTb stays low until the controller resets the desaturation fault by driving the RSTb pin low.

Note: This FLTb behavior is only valid when, prior to the desaturation condition being detected, there were no undervoltage lockout (UVLO) conditions.

Reset (RSTb) Pin

The RSTb pin is active low and is used to clear the desaturation condition and bring the Si828x driver back to an operational state. Even though IN+ and IN- may be toggling, the driver output will not change state until the fault condition has been reset. Both RSTb and FLTb should be high before resuming operation.

Undervoltage Lockout (UVLO)

The UVLO circuit unconditionally drives VL low when VDDb is below the lockout threshold. The Si828x is maintained in UVLO until VDDb rises above $VDDb_{UV+}$. During power down, the Si828x enters UVLO when VDDb falls below the UVLO threshold minus hysteresis (i.e., $VDDb \leq VDDb_{UV+} - VDDb_{HYS}$).

Note: UVLO voltage is evaluated between VDDb and VMID. The VSSb pin should be shorted to VMID if a negative gate bias is not utilized.

Ready (RDY) Pin (Si8285 Only)

The ready pin indicates to the controller that power is available on both sides of the isolation, i.e., at VDDa and VDDb. RDY goes high when both the primary side and secondary side UVLO circuits are disengaged. If the UVLO conditions are detected on either side of the isolation barrier, the ready pin will return low. RDY is a push-pull output pin and can be floated if not used. The recommendation is to put a 10k Ω pulldown to ground on this pin to help prevent a false "Ready" indication when power supplies are below operating conditions (VDDa UVLO active).

Miller Clamp (Si8285 Only)

SiC FET or IGBT power circuits are commonly connected in a half bridge configuration with the collector of the bottom IGBT tied to the emitter of the top IGBT, or, in the case of SiC FETs, to the drain and source, respectively.

As an example using IGBTs, when the upper switch turns on (while the bottom switch is in the off state), the voltage on the collector of the bottom switch flies up several hundred volts quickly (fast dV/dt). This fast dV/dt induces a current across the IGBT collector-to-gate capacitance (C_{CG}) that constitutes a positive gate voltage spike and can turn on the bottom IGBT. This behavior is called Miller parasitic turn on and can be destructive to the switch since it causes shoot-through current from the positive power rail across the two switches to ground. The Si828x Miller clamp's purpose is to clamp the gate of the switch device being driven by the Si828x to prevent switch turn on due to the collector C_{CG} coupling. SiC FET half bridge behavior is similar and the Miller clamp's purpose similar, with the effect due to the SiC FET's drain-to-gate capacitance (C_{DG}).

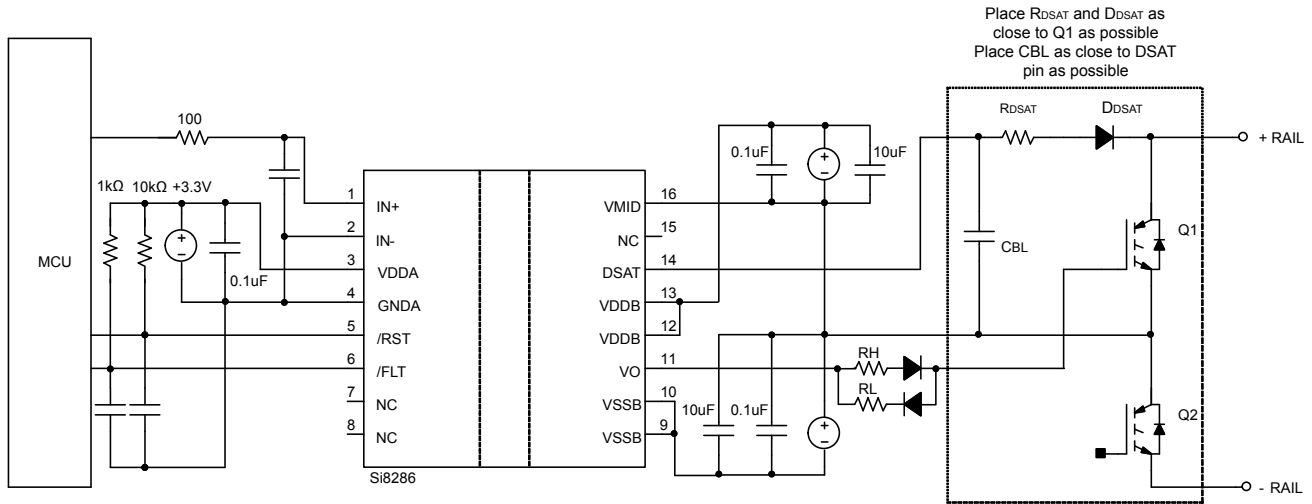


Figure 3.3. Example Si8286 Application Circuit with RH and RL

3.1.1 Power

To power the Si828x, the supply for VDDA should be able to source 10 mA of current. The VDDB and VSSB supplies have to be able to source the Si828x biasing current plus the average switch gate current drive. Each supply should have 0.1 μF and 10 μF parallel bypass capacitors. As shown in Figures 3.1 to 3.3, a supply can be connected between VSSB and VMID to provide a negative bias to the gate drive output, if desired. Such negative gate biases may help reduce switching losses. The VSSB pin should be shorted to VMID if a negative gate bias is not utilized.

3.1.2 Inputs

The Si828x has both inverting and non-inverting gate control inputs (IN– and IN+). In some topologies, one of the inputs is not used and should be connected to GND (IN–) or VDDA (IN+) for proper logic termination. Tying IN+ to VDDA allows active-low control of output with IN- pin. Inputs should be driven by CMOS level drivers. It is recommended that the MCU or input driver be located as close to the Si828x as possible to minimize PCB trace parasitics and noise coupling to the input circuit. In noisy environments, it is recommended that one add a small series resistor and an approximately 56pF decoupling cap to the IN traces to attenuate glitches from electrical noise and improve input-to-output signal integrity. The resistor and capacitor values should be large enough to minimize noise but not so large that it affects PWM signals significantly.

The implementation of a differential interface circuit between the MCU and driver's input can greatly improve the noise immunity performance and prevent faulty turn on during high current switching operation.

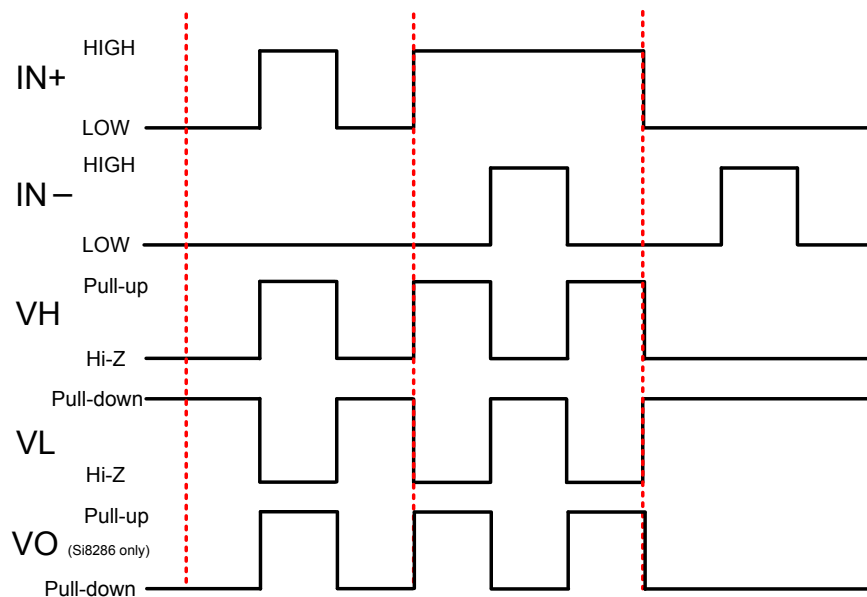


Figure 3.4. Si828x Complementary Input Diagram

3.1.3 Reset, RDY, and Fault

The Si8285 has an active high ready (RDY) push-pull output and needs a 10 kΩ pulldown resistor to prevent false ready indications during power up. On both the Si8285 and Si8286, the open drain fault (FLTb) output needs a pullup resistor (1 kΩ recommended) to prevent false fault indication in noisy environments; furthermore, the active low reset input (RSTb) needs a 10 kΩ pullup to help avoid false resets, particularly at startup.. Fast common-mode transients in high-power circuits can inject noise and glitches into these pins due to parasitic coupling. Depending on the SiC FET or IGBT power circuit layout, additional capacitance (100 pF to 470 pF) can be included on these pins to prevent false RDY and FLTb indications as well as to prevent unintended RSTb reset of the device.

The FLTb outputs from multiple Si828x devices can be connected in an OR wiring configuration to provide a single FLTb signal to the MCU.

The Si828x gate driver will shut down when a fault is detected. It then provides FLTb indication to the MCU and remains in the shutdown state until the MCU applies a reset signal to RSTb.

3.1.4 Desaturation

The Si828x provides sufficient voltage and current to drive and keep the IGBT or SiC FET in saturation during on time to minimize power dissipation and maintain high-efficiency operation. However, abnormal load conditions can force the switch out of saturation and cause permanent damage.

The figure below illustrates the Si828x desaturation circuit. When the Si828x driver output is high, the internal current source is on, and this current flows from the DSAT pin to charge the CBL capacitor. The voltage on the DSAT pin is monitored by an internal comparator. Since the DSAT pin is connected to the SiC FET drain or IGBT collector through the D_{DSAT} and a small R_{DSAT} , its voltage is almost the same as the V_{CE} of the IGBT or V_{DS} of the SiC FET. If this V_{CE} or V_{DS} voltage does not drop below the Si828x desaturation threshold voltage within a certain time after turning on the SiC FET or IGBT (blanking period) the block will generate a fault signal. The Si828x desaturation hysteresis is fixed at 220 mV and threshold is nominally 7 V.

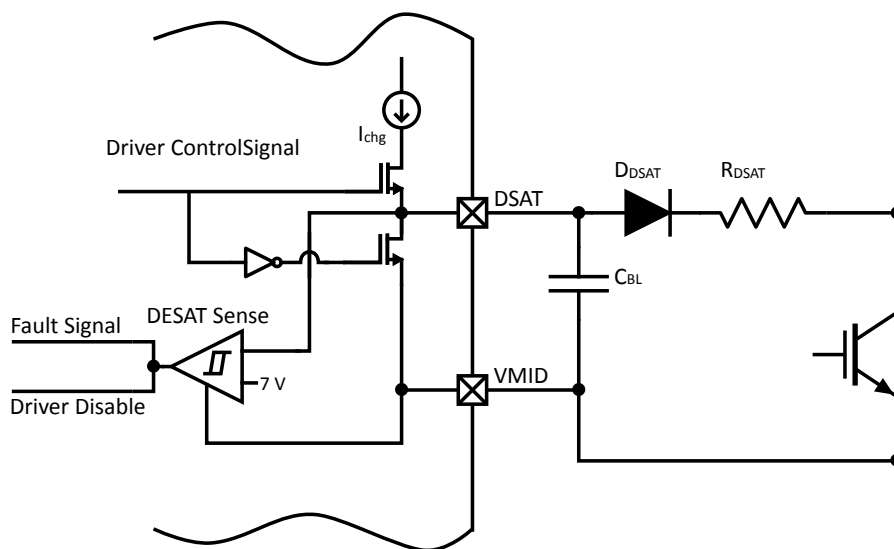


Figure 3.5. Desaturation Circuit (IGBT Example Shown)

As an additional feature, the Si828x supports a blanking timer function to mask the turn-on transient of the external switching device and avoid unexpected fault signal generation. This function requires an external blanking capacitor, C_{BL} , between DSAT and VMID pins. The Si828x includes a current source (I_{chg}) to charge the C_{BL} . This current source, the value of the external C_{BL} , and the programmed fault threshold, determine the blanking time ($t_{Blanking}$).

$$t_{Blanking} = C_{BL} \times \frac{V_{DESAT}}{I_{chg}}$$

An internal NMOS switch is implemented between DSAT and VMID to discharge the external blanking capacitor, C_{BL} , and reset the blanking timer. The current limiting R_{DSAT} resistor protects the DSAT pin from large current flow toward the SiC FET drain or IGBT collector during the switch's body diode freewheeling period (in some systems it is possible that the IGBT collector voltage drops below VMID, causing current to flow in DSAT).

The desaturation sensing circuit consists of the blanking capacitor (minimum 100 pF for Si8286 and 220 pF for Si8285), 100 Ω current limiting resistor, and DSAT diode. These components provide current and voltage protection for the Si828x desaturation (DSAT) pin. It is critical to place the resistor and diode as close to the switch as possible and the capacitor as close to the DSAT pin as possible. On the layout, ensure that the loop formed between these components and the switch is minimized for optimal desaturation detection.

High-frequency oscillation can occur at the driver's output when the following conditions are met: (1) input signals set driver's output to high state, (2) the voltage across the switching device is constantly above V_{DESAT} , and (3) the RSTb is held low. The oscillation is due to the continuous and simultaneous DESAT detection and reset cycles. The oscillation frequency in this DESAT/Reset cycle is in the MHz range and can heat up and damage the Si828x.

To avoid this condition, it is recommended to implement the following DESAT fault reset sequence:

1. Fault detected (FLTb goes low).
2. Set inputs to achieve low output state.
3. Bring RSTb low (minimum 350 ns) to clear the DESAT fault. Refer to [Figure 4.5 Device Reaction to Desaturation Event on page 16](#).
4. Verify fault cleared (FLTb high).
5. Run diagnostic to identify system fault condition
6. Resume operation when it is safe.

3.1.4.1 Soft Shutdown

When soft shut down is activated, the high-power driver goes inactive, and a weak pull-down via VH and external RH discharges the gate until the gate voltage level is reduced to the $V_{SSB} + 2\text{ V}$ level. The high power driver is then turned on to clamp the SiC FET or IGBT gate voltage to V_{SSB} .

After the soft shut down, the Si828x driver output voltage is clamped low to keep the SiC FET or IGBT in the off state.

3.1.5 Driver Outputs

The Si8285 has VH and VL gate drive outputs (see [Figure 3.1 Example Si8285 Application Circuit on page 7](#)). They work with external RH and RL resistors to limit output gate current. The value of these resistors can be adjusted to independently control SiC FET drain or IGBT collector voltage rise and fall time. The Si8286 only has one VO gate drive output with an external gate resistor to control SiC FET drain or IGBT collector voltage rise and fall time (see [Figure 3.2 Example Si8286 Application Circuit on page 7](#)). To achieve independent rise and fall time control, it is suggested to add a pair of fast diodes to the Si8286 VO circuit (see [Figure 3.3 Example Si8286 Application Circuit with RH and RL on page 8](#)).

The CLMP output should be connected to the gate of the SiC FET or IGBT directly to provide clamping action between the gate and V_{SSB} pin. This clamping action dissipates the switch's Miller effect current to secure the switch in the off-state. Negative V_{SSB} provides further help to ensure the gate voltage stays below the switch's V_{th} during the off state.

3.1.6 Miller Clamp (Si8285 Only)

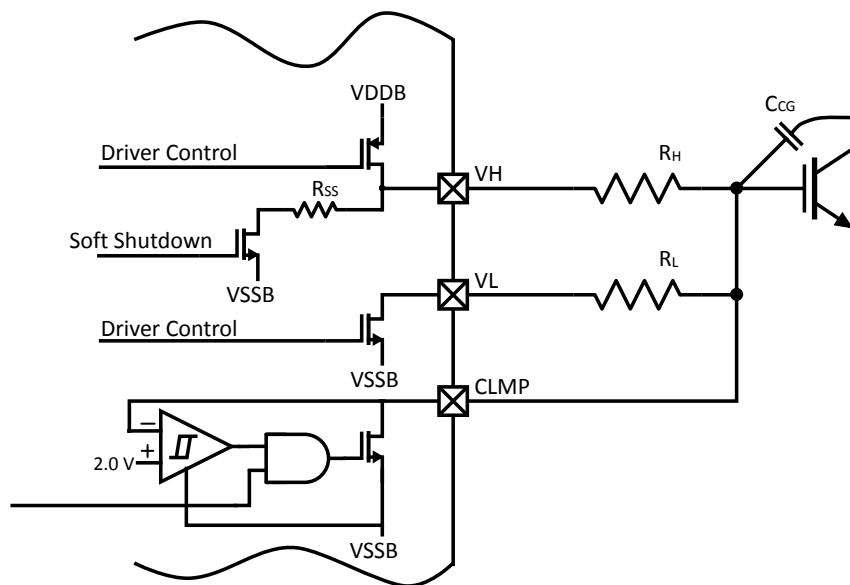


Figure 3.6. Miller Clamp Device (IGBT Example Shown)

The Miller clamp device is engaged after the main driver has been on (VL) and pulled the SiC FET or IGBT gate voltage close to VSSB, such that one can consider the switch being already off. This timing prevents the Miller clamp from interfering with the driver's operation. The engaging of the Miller Clamp is done by comparing the switch gate voltage with a 2.0 V reference (relative to VSSB) before turning on the Miller clamp NMOS.

3.1.7 Additional Adjustments for the Si8285 and Si8286

Additional adjustments of the desaturation detection, soft shutdown, gate current drive, and Miller clamp are possible using external components. Please refer to [AN1288: Si828x External Enhancement Circuits](#) for further information.

3.2 Layout Considerations

It is most important to minimize ringing in the drive path and noise on the supply lines. Care must be taken to minimize parasitic inductance in these paths by locating the Si828x as close as possible to the device it is driving. In addition, the supply and ground trace paths must be kept short. For this reason, the use of power and ground planes is highly recommended. A split ground plane system having separate ground and power planes for power devices and small signal components provides the best overall noise performance.

4. Electrical Specifications

Table 4.1. Electrical Specifications

$V_{DDA} = 3.0\text{ V} - 5.5\text{ V}$ (See Figure 3.1 for Si8285, Figure 3.2 for Si8286); Driver supply voltage = $V_{DDB} - V_{SSB}$, $T_A = -40$ to $+125\text{ }^\circ\text{C}$ unless otherwise noted. Minimum value of decoupling capacitors between V_{DDB} and V_{MID} and between V_{MID} and V_{SSB} is $1\text{ }\mu\text{F}$.

| Parameter | Symbol | Test Condition | Min | Typ | Max | Units |
|--|-----------------------|---|------|------|------|----------|
| DC Parameters | | | | | | |
| Input Supply Voltage | V_{DDA} | | 3.0 | — | 5.5 | V |
| Driver Supply Voltage | $(V_{DDB} - V_{SSB})$ | Si828xBx | 10.0 | — | 30 | V |
| | | Si828xCx | 13.2 | — | 30 | V |
| | | Si828xDx | 14.0 | — | 30 | V |
| | | Si828xE _x | 16.0 | — | 30 | V |
| | $(V_{MID} - V_{SSB})$ | 0 | — | 15 | V | |
| Input Supply Quiescent Current | $I_{DDA(Q)}$ | | — | 2.6 | 3.7 | mA |
| Input Supply Active Current | I_{DDA} | $f = 10\text{ kHz}$ | — | 5.2 | — | mA |
| Output Supply Quiescent Current (Si8285) | $I_{DDB(Q)}$ | Supply voltage = Maximum, No load | — | 5.3 | 6.5 | mA |
| Output Supply Quiescent Current (Si8286) | | Supply voltage = Maximum, No load | — | 3.5 | 4.5 | mA |
| Drive Parameters | | | | | | |
| High Drive Transistor $R_{DS(ON)}$ | R_{OH} | | — | 2.48 | — | Ω |
| Low Drive Transistor $R_{DS(ON)}$ | R_{OL} | | — | 0.86 | — | Ω |
| Internal Soft Shutdown Impedance | R_{SS} | | | 60 | | Ω |
| High Drive Peak Output Current ^{1, 2} | I_{OH} | $V_{DDB} = 15\text{ V}$ | 2.0 | 2.7 | — | A |
| Low Drive Peak Output Current ^{1, 2} | I_{OL} | $V_{SSB} = -4\text{ V}$ $CL = 220\text{ nF}$ Pulse = $3\text{ }\mu\text{s}$ | 4.1 | 5.5 | — | A |
| UVLO Parameters | | | | | | |
| UVLO Threshold + | $V_{DDA_{UV+}}$ | | 2.4 | 2.7 | 3.0 | |
| UVLO Threshold – | $V_{DDA_{UV-}}$ | | 2.3 | 2.6 | 2.9 | |
| UVLO Lockout Hysteresis– (Input Side) | $V_{DDA_{HYS}}$ | | — | 100 | — | mV |
| UVLO Threshold + (Driver Side) | $V_{DDB_{UV+}}$ | $V_{DDB_{UV+}}$ is V_{DDB} referenced to V_{MID} | 8.0 | 9.0 | 10.0 | V |
| 9 V Threshold (Si828xB) | | | 10.8 | 12.0 | 13.2 | |
| 12 V Threshold (Si828xC) | | | 11.6 | 12.8 | 14.0 | |
| 13 V Threshold (Si828xD) | | | 13.6 | 14.8 | 16.0 | |
| 15 V Threshold (Si828xE) | | | | | | |

| Parameter | Symbol | Test Condition | Min | Typ | Max | Units |
|---|--|------------------------------------|------------|------|------|-------|
| UVLO Threshold – (Driver Side) | | | | | | |
| 9 V Threshold (Si828xB) | VDDBUV- | VDDBUV- is VDDB referenced to VMID | 7.0 | 8.0 | 9.0 | V |
| 12 V Threshold (Si828xC) | | | 9.8 | 11.0 | 12.2 | |
| 13 V Threshold (Si828xD) | | | 10.8 | 12.0 | 13.2 | |
| 15 V Threshold (Si828xE) | | | 12.8 | 14.0 | 15.2 | |
| UVLO Lockout Hysteresis (Driver Side) | | | | | | |
| 9 V/12 V Thresholds (Si828xB/Si828xC) | VDDBHYS | | — | 1 | — | V |
| 13 V/15 V Thresholds (Si828xD/Si828xE) | | | | 0.75 | | |
| UVLO+ to RDY High Delay | t _{UVLO+ to RDY} | | — | | 100 | μs |
| UVLO+ to V _X Active Delay | t _{UVLO+ to V_X Active} | | | | 100 | μs |
| ULVO- to RDY Low Delay | t _{UVLO- to RDY} | | — | | 0.79 | μs |
| UVLO- to Output OFF Delay | t _{UVLO- to Output OFF} | | | | 0.79 | μs |
| Desaturation Detector Parameters | | | | | | |
| DESAT Threshold | VDESAT | VDDB – VSSB > VDDBUV+ | 6.25 | 6.9 | 7.4 | V |
| C _{BI} charging current (Si8285) | I _{Chg} | | — | 1 | — | mA |
| C _{BI} charging current (Si8286) | | | — | 0.25 | — | mA |
| DESAT Sense to 90% V _H (V _O for Si8286) Delay | t _{DESAT(90%)} | RH = RL = Rg = 10 Ω CL = 10 nF | — | 270 | 350 | ns |
| DESAT Sense to 10% V _H (V _O for Si8286) Delay | t _{DESAT(10%)} | RH = RL = Rg = 10 Ω CL = 10 nF | — | 1.8 | 2.3 | μs |
| DESAT Sense to FLTb Low Delay | t _{DESAT to FLTb} | | — | 220 | 300 | ns |
| Reset to FLTb High Delay | t _{RSTb to FLTb} | | — | 270 | 350 | ns |
| Reset Pulse Width | t _{RSTb} | | 350 | — | — | ns |
| Miller Clamp Parameters (Si8285 Only) | | | | | | |
| Clamp Pin Threshold Voltage | V _t Clamp | | — | 2.0 | — | V |
| Miller Clamp Transistor RDS (ON) | R _{MC} | | — | 1.07 | — | Ω |
| Clamp Low Level Sinking Current ^{1, 2} | I _{CL} | VCLMP = VSSB + 6.0 | 3.0 | 3.4 | — | A |
| Digital Parameters | | | | | | |
| Logic High Input Threshold | V _{IH} | | 2.0 | — | — | V |
| Logic Low Input Threshold | V _{IL} | | — | — | 0.8 | V |
| Input Hysteresis | V _{IHYST} | | — | 440 | — | mV |
| High Level Output Voltage (RDY pin only) | V _{OH} | IO = -4 mA | VDDA - 0.4 | — | — | V |
| Low Level Output Voltage (RDY pin only) | V _{OL} | IO = 4 mA | — | — | 0.4 | V |

| Parameter | Symbol | Test Condition | Min | Typ | Max | Units |
|---|-----------|---|-----|-----|-----|-------|
| Open-Drain Low Level Output Voltage (FLTb pin only) | | VDDA = 5 V, 5 kΩ pull-up resistor | — | — | 200 | mV |
| AC Switching Parameters | | | | | | |
| Propagation Delay (Low-to-High) | t_{PLH} | CL = 200 pF | 30 | 40 | 50 | ns |
| Propagation Delay (High-to-Low) | t_{PHL} | CL = 200 pF | 30 | 40 | 50 | ns |
| Pulse Width Distortion | PWD | $ t_{PLH} - t_{PHL} $ for a single device | — | 1 | 5 | ns |
| Propagation Delay Difference ² | PDD | $t_{PHLMAX} - t_{PLHMIN}$ | -1 | — | 25 | ns |
| Rise Time ² (10% to 90%) | t_R | CL = 200 pF | — | 5.5 | 15 | ns |
| Fall Time ² (90% to 10%) | t_F | CL = 200 pF | — | 8.5 | 20 | ns |
| Common Mode Transient Immunity | | Output = low or high (VCM = 1500 V) | 125 | — | — | kV/μs |

1. When performing this test, it is recommended that the DUT be soldered to avoid socket and trace inductances, which may cause overstress conditions.
2. Guaranteed by characterization.

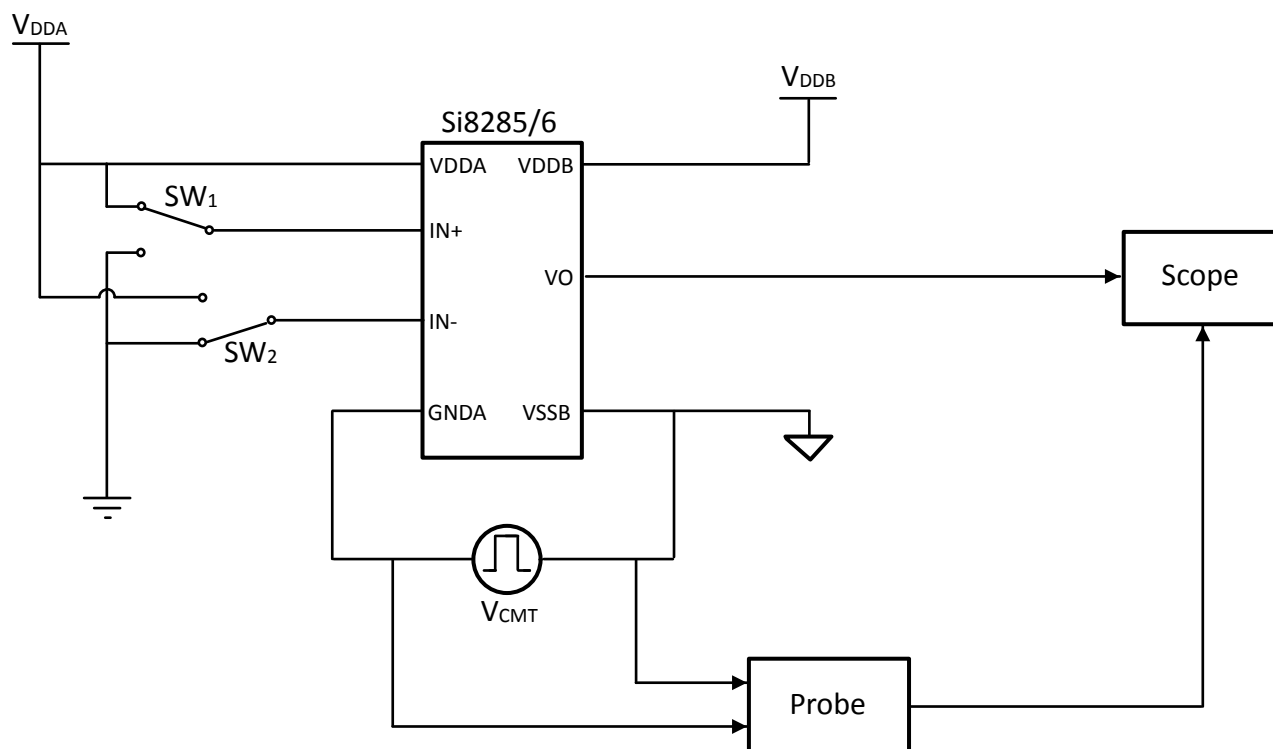


Figure 4.1. Common-Mode Transient Immunity Characterization Circuit

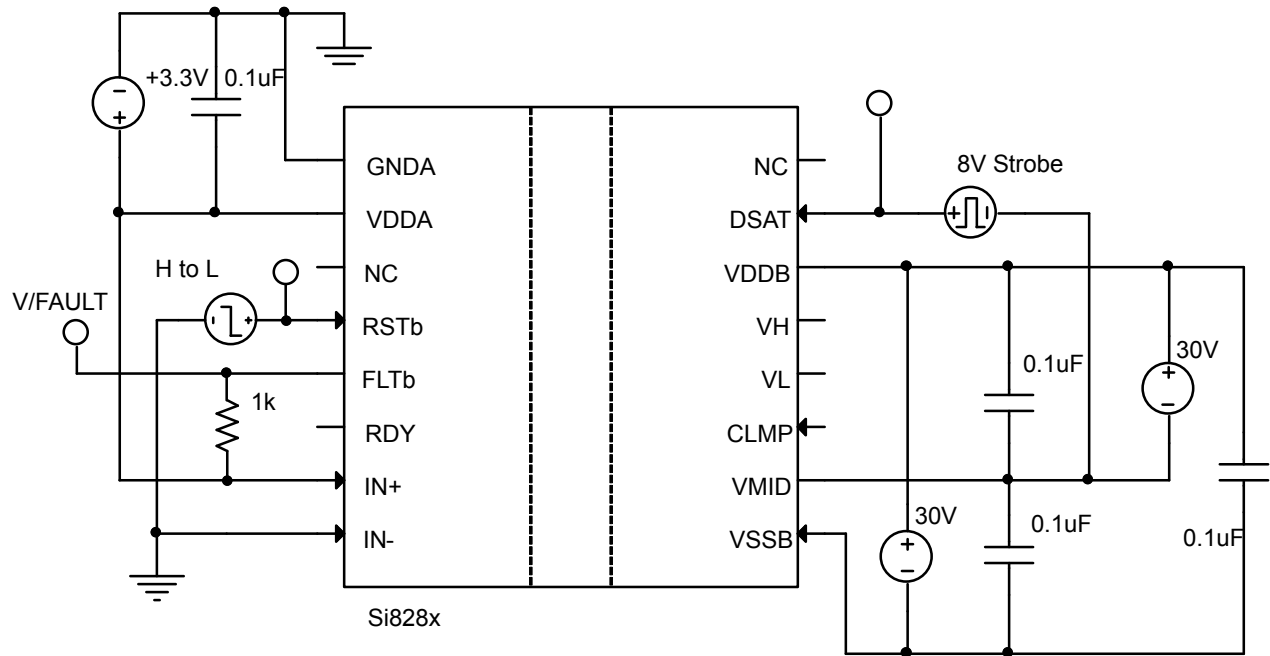


Figure 4.2. Si828x RSTb FLTb CLEAR Test Circuit

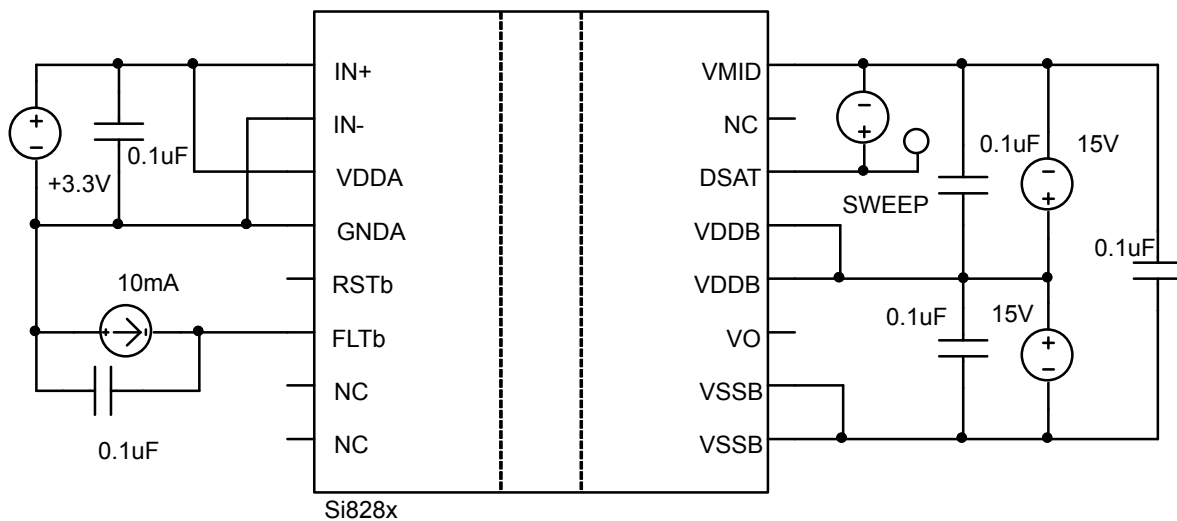


Figure 4.3. Si828x DSAT Threshold Test Circuit

Table 4.2. Absolute Maximum Ratings¹

| Parameter | Symbol | Min | Max | Unit |
|---|-------------|------|------|------|
| Storage Temperature | T_{STG} | -65 | +150 | °C |
| Operating Temperature | T_A | -40 | +125 | °C |
| Junction Temperature | T_J | — | +140 | °C |
| Peak Output Current ($t_{PW} = 10 \mu s$) | I_{OPK} | — | 4.0 | A |
| Input Side Supply Voltage | VDDA - GNDA | -0.5 | 6 | V |
| Output Side Supply Voltage | VDDB - VSSB | -0.5 | 36 | V |
| Output Voltage | VH/VL/VO | -0.5 | 36 | V |

| Parameter | Symbol | Min | Max | Unit |
|--|--------|-----|-----|------|
| Input Power Dissipation | P_I | — | 100 | mW |
| Output Power Dissipation | P_O | — | 800 | mW |
| Total Power Dissipation (All Packages Limited by Thermal Derating Curve) | P_T | — | 900 | mW |
| Lead Solder Temperature (10 s) | | — | 260 | °C |

Note:

1. Permanent device damage may occur if the absolute maximum ratings are exceeded. Functional operation should be restricted to the conditions as specified in the operational sections of this data sheet. Exposure to absolute maximum rating conditions for extended periods may affect device reliability.

4.1 Timing Diagrams

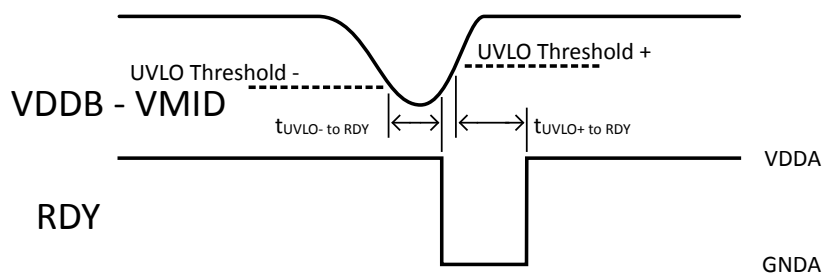


Figure 4.4. UVLO Condition to RDY Output

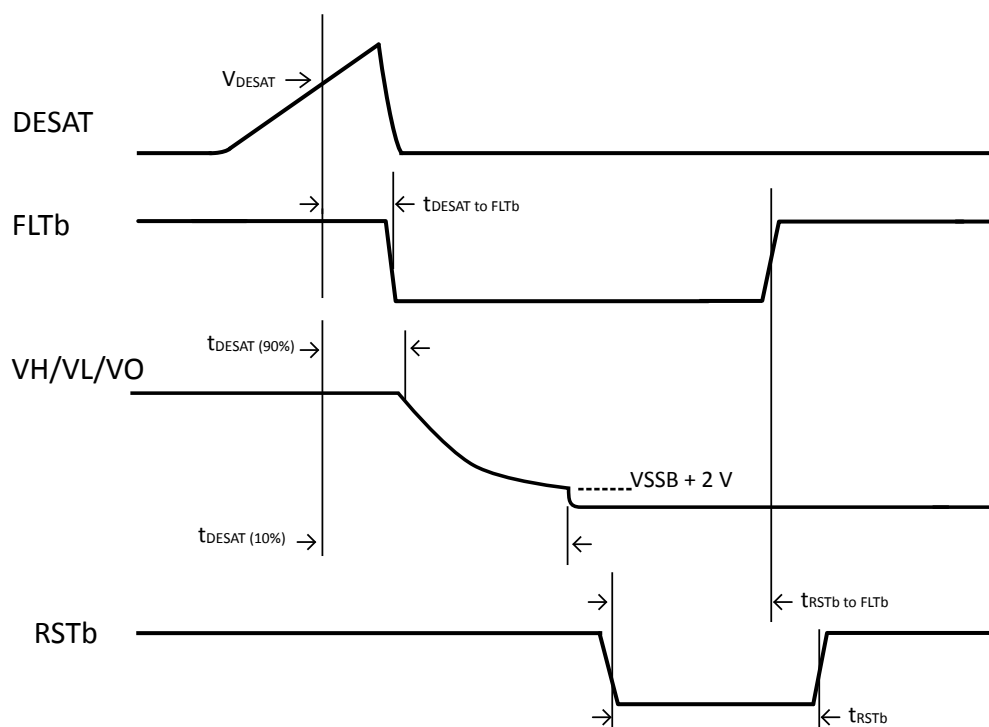
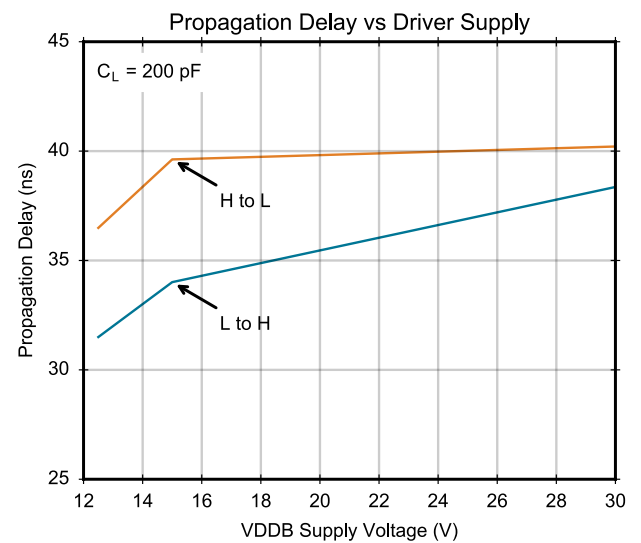
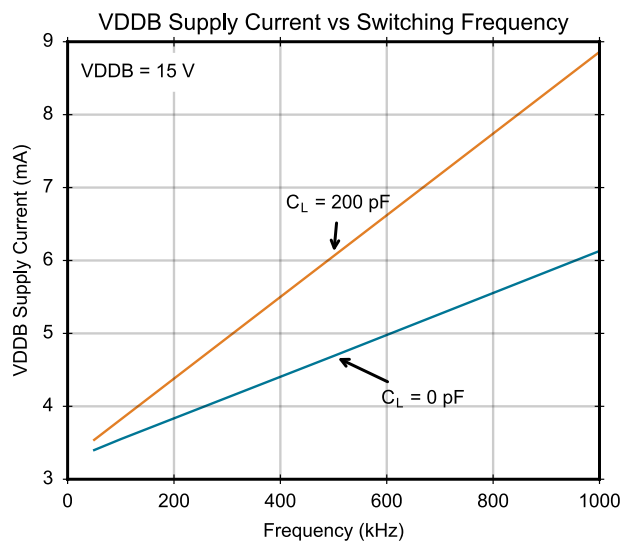
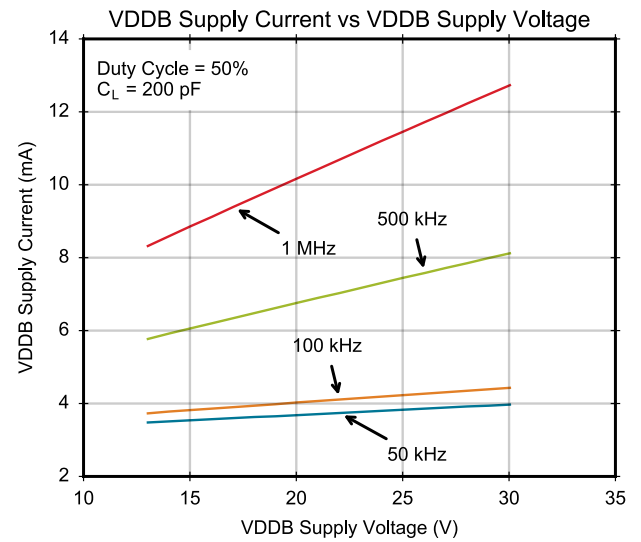
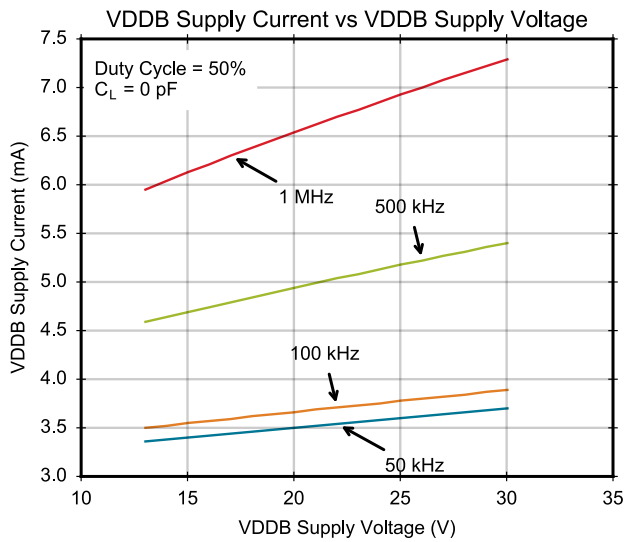
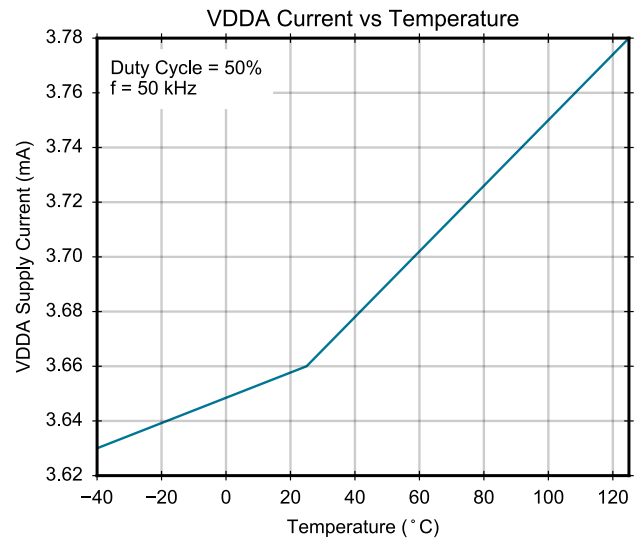
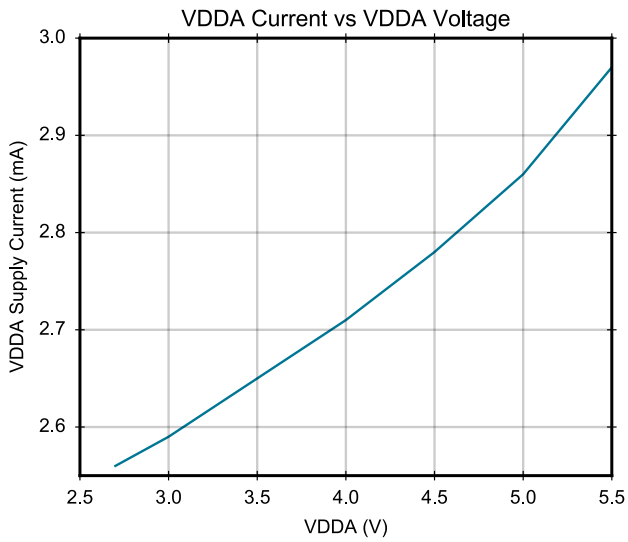
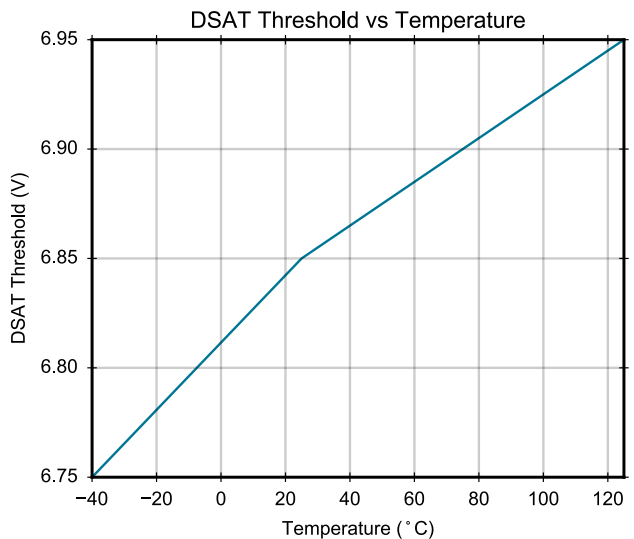
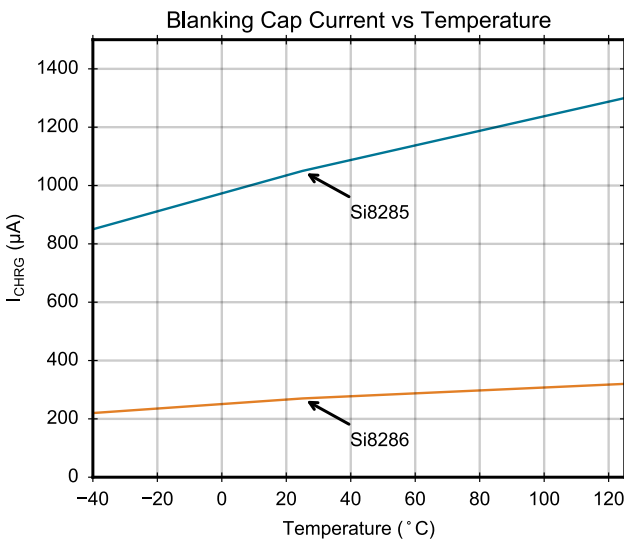
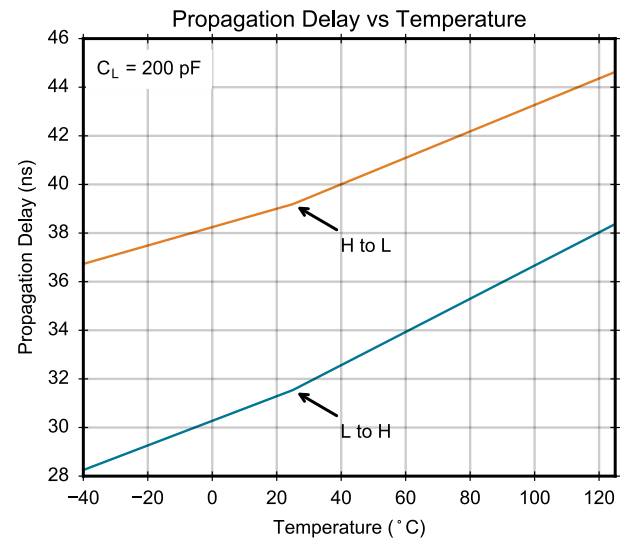
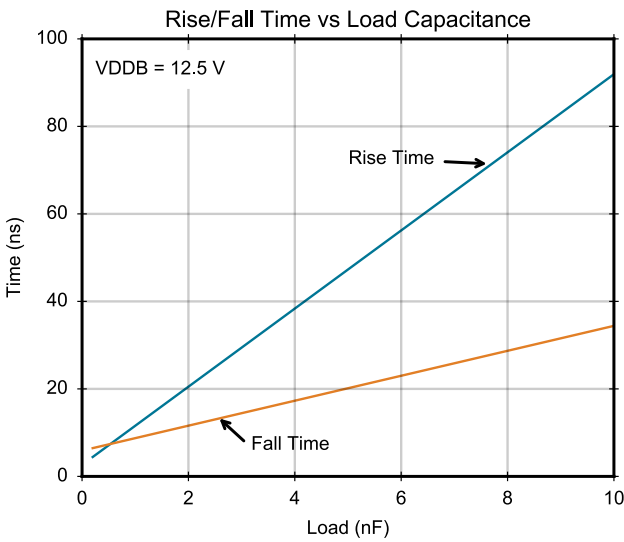
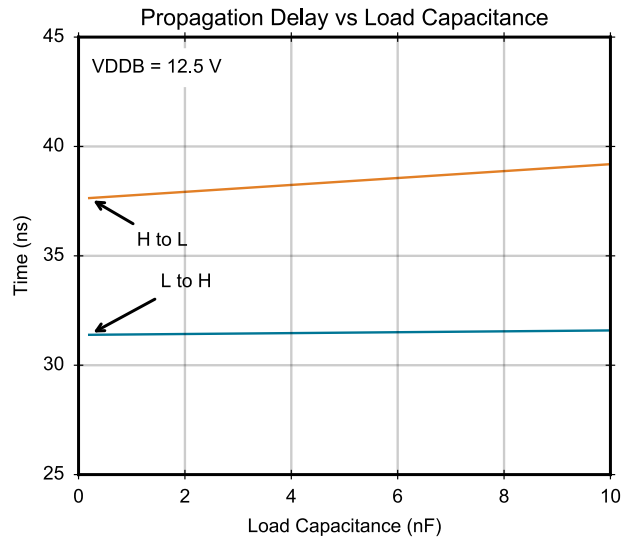
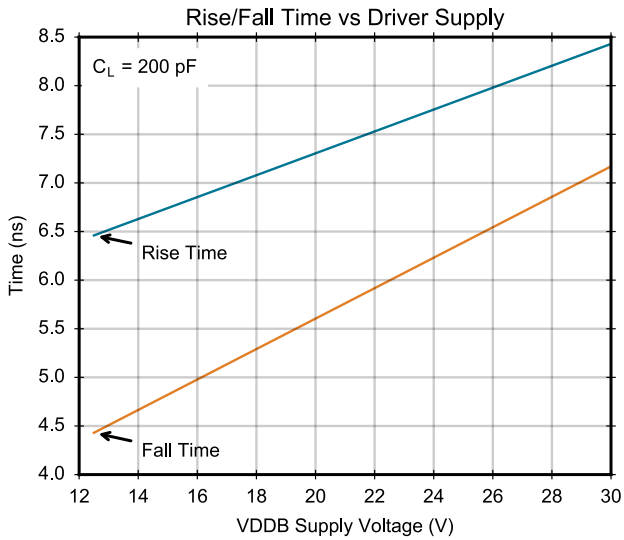


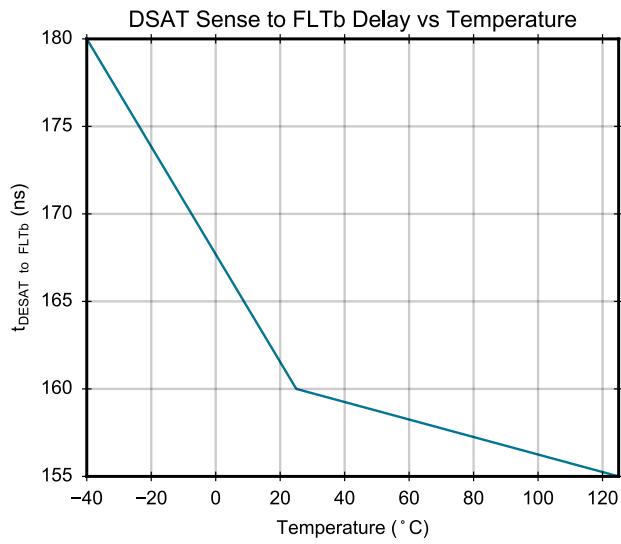
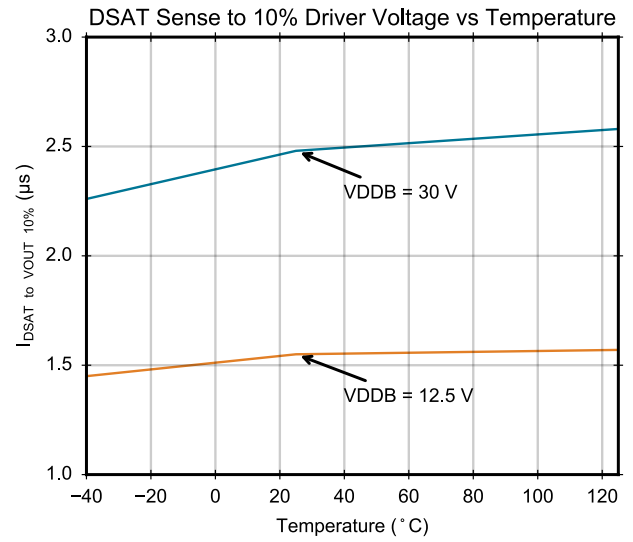
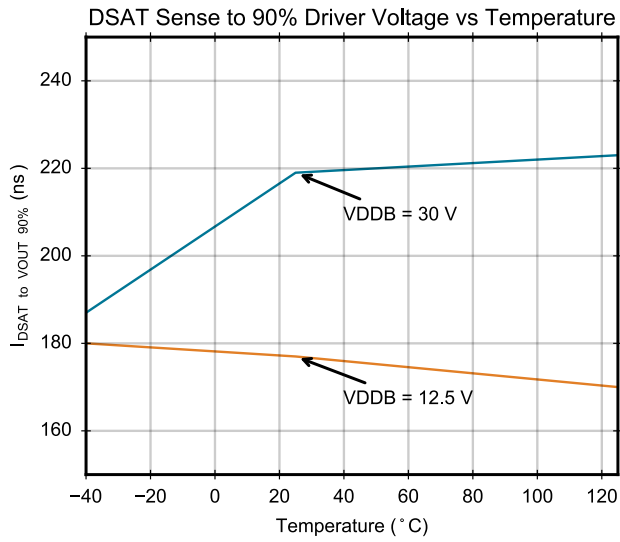
Figure 4.5. Device Reaction to Desaturation Event

4.2 Typical Operating Characteristics

Note: $T_{\text{ambient}} = 25^{\circ}\text{C}$, unless stated otherwise.







4.3 Regulatory Information

Table 4.3. Regulatory Information (Pending)^{1, 2}

| |
|--|
| CSA |
| The Si828x is certified under CSA. For more details, see Master Contract Number 232873. |
| 62368-1: Up to 600 V _{RMS} reinforced insulation working voltage; up to 1000 V _{RMS} basic insulation working voltage. |
| VDE |
| The Si828x is certified according to IEC60747-17. For more details, see File 5006301-4880-0001. |
| IEC60747-17: Up to 1414 V _{PEAK} for basic insulation working voltage. |
| 62368-1: Up to 600 V _{RMS} reinforced insulation working voltage; up to 1000 V _{RMS} basic insulation working voltage. |
| UL |
| The Si828x is certified under UL1577 component recognition program. For more details, see File E257455. |
| Rated up to 5000 V _{RMS} isolation voltage (V _{ISO}) for basic protection. |
| CQC |
| The Si828x is certified under GB4943.1-2011. |
| Rated up to 600 V _{RMS} reinforced insulation working voltage; up to 1000 V _{RMS} basic insulation working voltage. |
| Note: |
| <ol style="list-style-type: none"> 1. Regulatory Certifications apply to 3.75 and 5.0 kV_{RMS} rated devices, which are production tested to 4.5 and 6.0 kV_{RMS} for 1 sec, respectively. 2. For more information, see Section 1. Si8285/86 Ordering Guide. |

Table 4.4. Insulation and Safety-Related Specifications

| Parameter | Symbol | Test Condition | Value | Unit |
|---|-----------------|----------------|------------------|------|
| | | | WB SOIC-16 | |
| Nominal External Air Gap (Clearance) ¹ | CLR | | 8.0 | mm |
| Nominal External Tracking (Creepage) | CRP | | 8.0 | mm |
| Minimum Internal Gap (Internal Clearance) | DTI | | 0.016 | mm |
| Tracking Resistance | PTI or CTI | IEC60112 | 600 | V |
| Erosion Depth | ED | | 0.019 | mm |
| Resistance (Input-Output) ² | R _{IO} | | 10 ¹² | Ω |
| Capacitance (Input-Output) ² | C _{IO} | f = 1 MHz | 1 | pF |
| Note: | | | | |
| <ol style="list-style-type: none"> 1. The values in this table correspond to the nominal creepage and clearance values as detailed in Section 6.1 Package Outline: 16-Pin Wide Body SOIC. VDE certifies the clearance and creepage limits as 8.5 mm minimum for the WB SOIC-16. UL does not impose a clearance and creepage minimum for component level certifications. CSA certifies the clearance and creepage limits as 7.6 mm minimum for the WB SOIC package. 2. To determine resistance and capacitance, the Si828x is converted into a 2-terminal device. All pins on input side are shorted together to form the first terminal, and similarly, all pins on the output side are shorted together to form the second terminal. The parameters are then measured between these two terminals. | | | | |

Table 4.5. IEC 60664-1 Ratings

| Parameter | Test Condition | Specification |
|-----------------------|---|---------------|
| | | WB SOIC-16 |
| Basic Isolation Group | Material Group | I |
| Overvoltage Category | Rated Mains Voltages $\leq 150 V_{RMS}$ | I-IV |
| | Rated Mains Voltages $\leq 300 V_{RMS}$ | I-IV |
| | Rated Mains Voltages $\leq 600 V_{RMS}$ | I-IV |

Table 4.6. IEC60747-17 Insulation Characteristics¹

| Parameter | Symbol | Test Condition | Characteristic | Unit |
|--------------------------------------|------------|---|----------------|-----------|
| | | | WB SOIC | |
| Maximum Working Isolation Voltage | V_{IOWM} | | 1000 | V_{RMS} |
| Maximum Repetitive Isolation Voltage | V_{IORM} | | 1414 | V peak |
| Input to Output Test Voltage | V_{PR} | Method b1 ($V_{IORM} \times 1.875 = V_{PR}$, 100% Production Test, $t_m = 1$ sec, Partial Discharge < 5 pC) | 2652 | V peak |
| Maximum Transient Isolation Voltage | V_{IOTM} | $t = 60$ sec | 8000 | V peak |
| Maximum Surge Isolation Voltage | V_{IOSM} | Tested with 8000 V_{peak} and 1.2 $\mu s/50 \mu s$ profile | 6150 | V peak |
| Maximum Impulse Voltage | V_{IMP} | Tested with 6150 V_{peak} and 1.2 $\mu s/50 \mu s$ profile | 6150 | V peak |
| Pollution Degree | | DIN VDE 0110 | 2 | |
| Insulation Resistance | R_S | $T_{AMB} = T_S$, $V_{IO} = 500$ V | $>10^9$ | Ω |

Note:

- Maintenance of the safety data is ensured by protective circuits. The Si828x provides a climate classification of 40/125/21.

Table 4.7. IEC60747-17 Safety Limiting Values^{1, 2}

| Parameter | Symbol | Test Condition | Max | Unit |
|--------------------|--------|---|------------|-------------|
| | | | WB SOIC-16 | |
| Safety Temperature | T_S | | 140 | $^{\circ}C$ |
| Safety Current | I_S | $\theta_{JA} = 73$ $^{\circ}C/W$ $V_{DDA} = 5.5$ V, $V_{DDB} - V_{SSB} = 30$ V $T_J = 140$ $^{\circ}C$, $T_A = 25$ $^{\circ}C$ | 52.5 | mA |
| Safety Power | P_S | | 1.575 | W |

Note:

- Maximum value allowed in the event of a failure.
- See Figure 4.6 for Thermal Derating Curve.

Table 4.8. Thermal Characteristics

| Parameter | Symbol | Typ | Unit |
|---------------------------------------|---------------|------------|-----------------------------|
| | | WB SOIC-16 | |
| IC Junction-to-Air Thermal Resistance | θ_{JA} | 73 | $^{\circ}\text{C}/\text{W}$ |

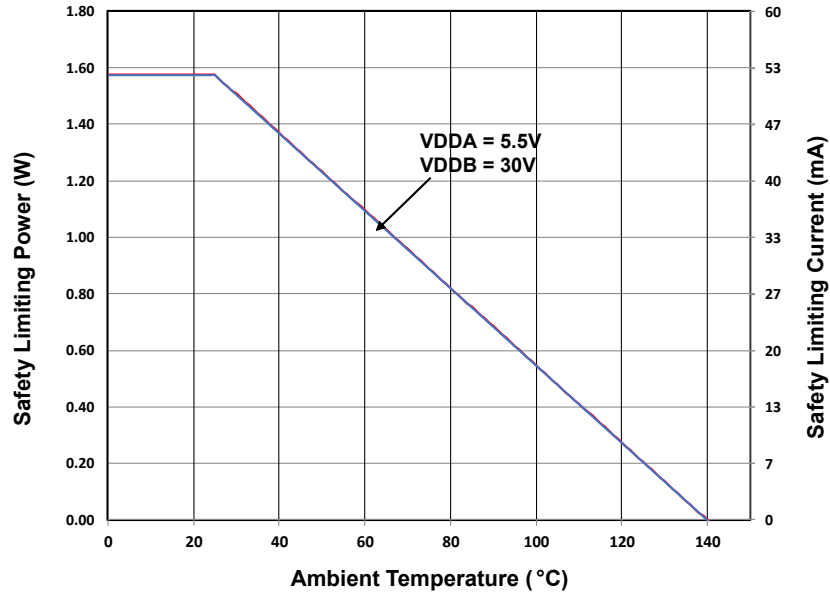


Figure 4.6. WB SOIC-16 Thermal Derating Curve

5. Pin Descriptions

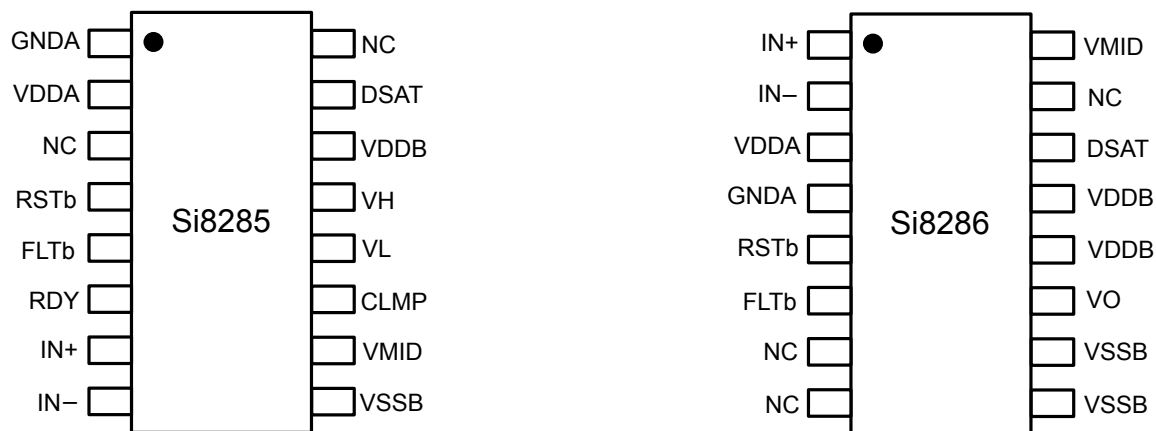


Table 5.1. Si8285/86 Pin Descriptions

| Name | Si8285 Pin # | Si8286 Pin # | Description |
|-----------------|--------------|--------------|--|
| GND A | 1 | 4 | Input side ground |
| VDD A | 2 | 3 | Input side power supply |
| RST b | 4 | 5 | Reset fault condition pin |
| FLT b | 5 | 6 | Driver fault condition signal |
| RDY | 6 | — | UVLO ready signal |
| IN+ | 7 | 1 | Driver control complementary input (+) |
| IN- | 8 | 2 | Driver control complementary input (-) |
| VSS B | 9 | 9, 10 | Driver output side ground |
| VMID | 10 | 16 | IGBT source reference |
| CLMP | 11 | — | Miller clamp drain |
| VL | 12 | — | Pull-low driver output |
| VH | 13 | — | Pull-high driver output |
| VO | — | 11 | Driver output |
| VDD B | 14 | 12, 13 | Driver output power supply |
| DSAT | 15 | 14 | Desaturation detection sensor input |
| NC ¹ | 16 | 7, 8, 15 | No Connect |

Note:

1. No Connect. These pins may be internally connected. For optimal performance and safety, these pins must be connected to their respective grounds: GND A for input side and VSS B for output side.

6. Packaging

6.1 Package Outline: 16-Pin Wide Body SOIC

The figure below illustrates the package details for the Si828x in a 16-Pin Wide Body SOIC. The table lists the values for the dimensions shown in the illustration.

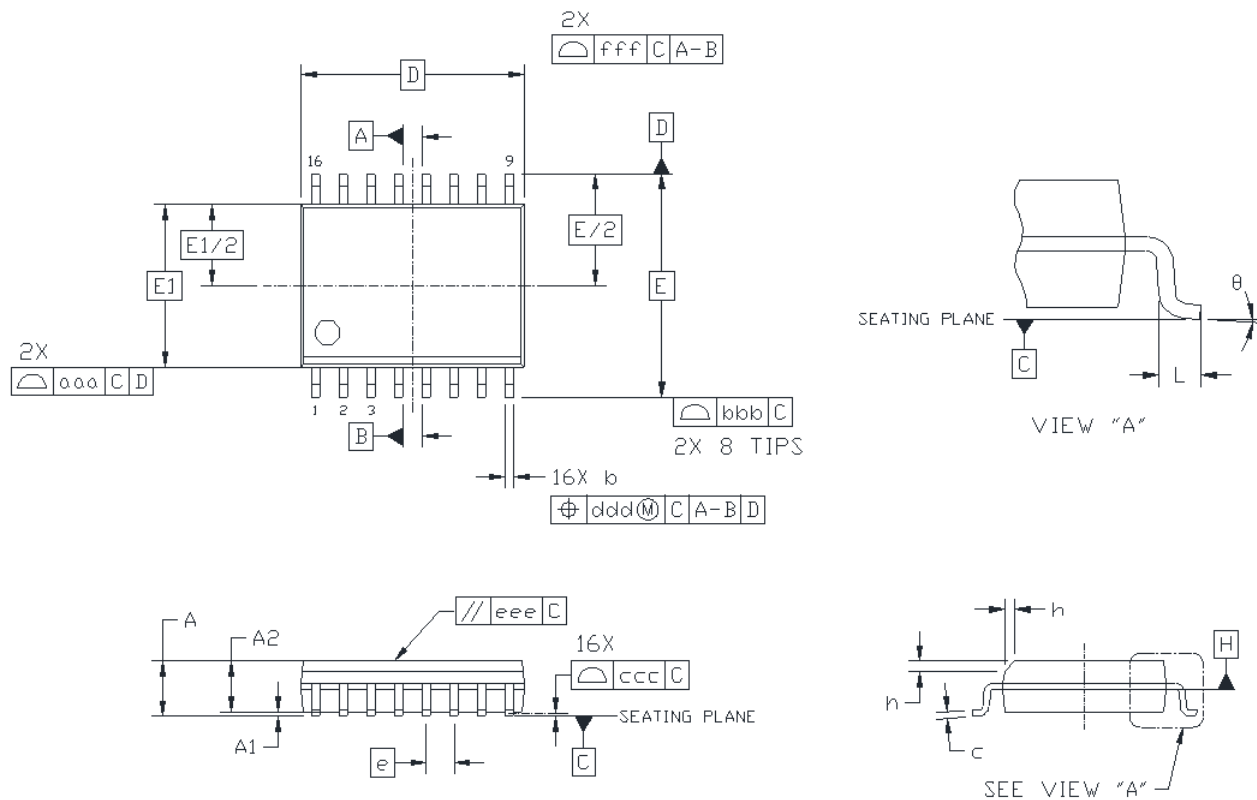


Figure 6.1. 16-Pin Wide Body SOIC

| Symbol | Millimeters | |
|--------|-------------|------|
| | Min | Max |
| A | — | 2.65 |
| A1 | 0.10 | 0.30 |
| A2 | 2.05 | — |
| b | 0.31 | 0.51 |
| c | 0.20 | 0.33 |
| D | 10.30 BSC | |
| E | 10.30 BSC | |
| E1 | 7.50 BSC | |
| e | 1.27 BSC | |
| L | 0.40 | 1.27 |
| h | 0.25 | 0.75 |
| θ | 0° | 8° |
| aaa | — | 0.10 |
| bbb | — | 0.33 |

| Symbol | Millimeters | |
|--------|-------------|------|
| | Min | Max |
| ccc | — | 0.10 |
| ddd | — | 0.25 |
| eee | — | 0.10 |
| fff | — | 0.20 |

Note:

1. All dimensions shown are in millimeters (mm) unless otherwise noted.
2. Dimensioning and Tolerancing per ANSI Y14.5M-1994.
3. This drawing conforms to JEDEC Outline MS-013, Variation AA.
4. Recommended reflow profile per JEDEC J-STD-020C specification for small body, lead-free components.

6.2 Land Pattern: 16-Pin Wide Body SOIC

The figure below illustrates the recommended land pattern details for the Si828x in a 16-Pin Wide Body SOIC. The table lists the values for the dimensions shown in the illustration.

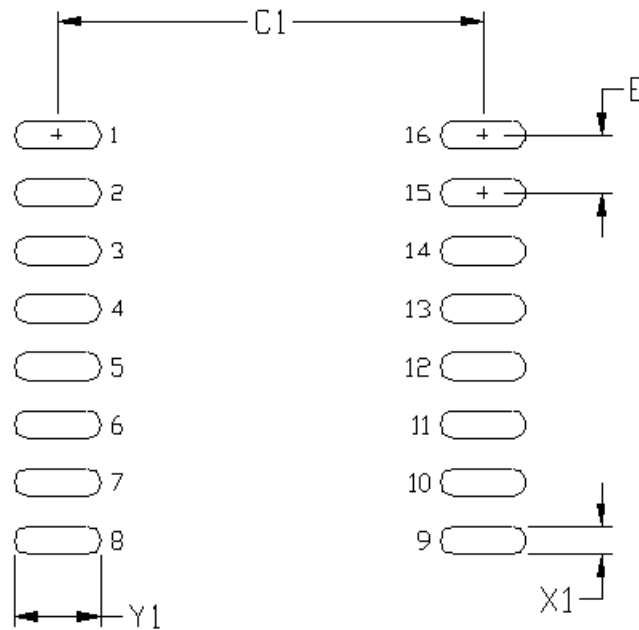


Figure 6.2. PCB Land Pattern: 16-Pin Wide Body SOIC

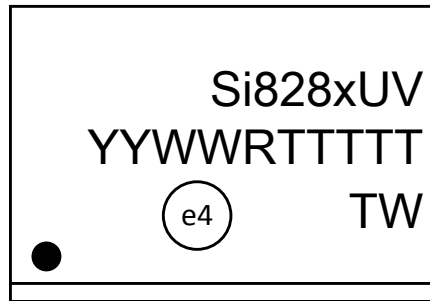
Table 6.1. 16-Pin Wide Body SOIC Land Pattern Dimensions^{1, 2}

| Dimension | Feature | (mm) |
|-----------|--------------------|------|
| C1 | Pad Column Spacing | 9.40 |
| E | Pad Row Pitch | 1.27 |
| X1 | Pad Width | 0.60 |
| Y1 | Pad Length | 1.90 |

Note:

1. This Land Pattern Design is based on IPC-7351 pattern SOIC127P1032X265-16AN for Density Level B (Median Land Protrusion).
2. All feature sizes shown are at Maximum Material Condition (MMC), and a card fabrication tolerance of 0.05 mm is assumed.

6.3 Top Marking: 16-Pin Wide Body SOIC



Si8285/86 Top Marking

Table 6.2. Si8285/86 Top Marking Explanation

| | | |
|------------------------|----------------------------|---|
| Line 1 Marking: | Customer Part Number | Si8285, Si8286 = Product Configuration U = UVLO level: B = 9 V; C = 12 V; D = 13 V and E = 15 V V = Isolation rating: C = 3.75 kV; D = 5.0 kV |
| Line 2 Marking: | YY = Year WW = Workweek | Assigned by the assembly house. Corresponds to the year and workweek of the mold date. |
| | RTTTTT = Mfg Code | Manufacturing code “R” indicates revision |
| Line 3 Marking: | TW | Country of Origin |

7. Revision History

Revision 2.0

April, 2021

- Restructured and updated Product Overview and Applications Information sections
- Updated numerous Electrical specifications in [Table 4.1 Electrical Specifications on page 12](#) and [Table 4.2 Absolute Maximum Ratings¹ on page 15](#)
- Clarified timing diagrams in [Section 4.1 Timing Diagrams](#)
- Updated Regulatory Information in [Table 4.3 Regulatory Information \(Pending\)^{1, 2} on page 20](#)

Revision 1.1

August, 2018

- Corrected typo for minimum VDDA and VDDB in [Table 4.1 Electrical Specifications on page 12](#) to match the max UVLO values stated in the same table.

Revision 1.0

March, 2018

- Updated Safety Regulatory Approvals section on page 1, and Tables 4.3, 4.4, and 4.6 to conform with isolation component standard terminology.
- Removed references to IEC 60747-5-5 throughout the document and replaced with VDE 0884.
- Added automotive (-A) OPNs.
- Updated Thermal Derating Curve, Figure 4.6.

Revision 0.6

November, 2016

- Corrected junction temperature in [Table 4.2 Absolute Maximum Ratings¹ on page 15](#).



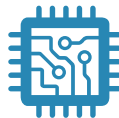
SKYWORKS®

**Connecting Everyone
and Everything,
All the Time**



Portfolio

www.skyworksinc.com



Quality

www.skyworksinc.com/quality



Support & Resources

www.skyworksinc.com/support

Copyright © 2021 Skyworks Solutions, Inc. All Rights Reserved.

Information in this document is provided in connection with Skyworks Solutions, Inc. ("Skyworks") products or services. These materials, including the information contained herein, are provided by Skyworks as a service to its customers and may be used for informational purposes only by the customer. Skyworks assumes no responsibility for errors or omissions in these materials or the information contained herein. Skyworks may change its documentation, products, services, specifications or product descriptions at any time, without notice. Skyworks makes no commitment to update the materials or information and shall have no responsibility whatsoever for conflicts, incompatibilities, or other difficulties arising from any future changes.

No license, whether express, implied, by estoppel or otherwise, is granted to any intellectual property rights by this document. Skyworks assumes no liability for any materials, products or information provided hereunder, including the sale, distribution, reproduction or use of Skyworks products, information or materials, except as may be provided in Skyworks' Terms and Conditions of Sale.

THE MATERIALS, PRODUCTS AND INFORMATION ARE PROVIDED "AS IS" WITHOUT WARRANTY OF ANY KIND, WHETHER EXPRESS, IMPLIED, STATUTORY, OR OTHERWISE, INCLUDING FITNESS FOR A PARTICULAR PURPOSE OR USE, MERCHANTABILITY, PERFORMANCE, QUALITY OR NON-INFRINGEMENT OF ANY INTELLECTUAL PROPERTY RIGHT; ALL SUCH WARRANTIES ARE HEREBY EXPRESSLY DISCLAIMED. SKYWORKS DOES NOT WARRANT THE ACCURACY OR COMPLETENESS OF THE INFORMATION, TEXT, GRAPHICS OR OTHER ITEMS CONTAINED WITHIN THESE MATERIALS. SKYWORKS SHALL NOT BE LIABLE FOR ANY DAMAGES, INCLUDING BUT NOT LIMITED TO ANY SPECIAL, INDIRECT, INCIDENTAL, STATUTORY, OR CONSEQUENTIAL DAMAGES, INCLUDING WITHOUT LIMITATION, LOST REVENUES OR LOST PROFITS THAT MAY RESULT FROM THE USE OF THE MATERIALS OR INFORMATION, WHETHER OR NOT THE RECIPIENT OF MATERIALS HAS BEEN ADVISED OF THE POSSIBILITY OF SUCH DAMAGE.

Skyworks products are not intended for use in medical, lifesaving or life-sustaining applications, or other equipment in which the failure of the Skyworks products could lead to personal injury, death, physical or environmental damage. Skyworks customers using or selling Skyworks products for use in such applications do so at their own risk and agree to fully indemnify Skyworks for any damages resulting from such improper use or sale.

Customers are responsible for their products and applications using Skyworks products, which may deviate from published specifications as a result of design defects, errors, or operation of products outside of published parameters or design specifications. Customers should include design and operating safeguards to minimize these and other risks. Skyworks assumes no liability for applications assistance, customer product design, or damage to any equipment resulting from the use of Skyworks products outside of Skyworks' published specifications or parameters.


Skyworks, the Skyworks symbol, Sky5®, SkyOne®, SkyBlue™, Skyworks Green™, Clockbuilder®, DSPLL®, ISOModem®, ProSLIC®, and SiPHY® are trademarks or registered trademarks of Skyworks Solutions, Inc. or its subsidiaries in the United States and other countries. Third-party brands and names are for identification purposes only and are the property of their respective owners. Additional information, including relevant terms and conditions, posted at www.skyworksinc.com, are incorporated by reference.

Skyworks Solutions, Inc. | Nasdaq: SWKS | sales@skyworksinc.com | www.skyworksinc.com

USA: 781-376-3000 | Asia: 886-2-2735 0399 | Europe: 33 (0)1 43548540 | [in](https://www.linkedin.com/company/skyworks) [f](https://www.facebook.com/skyworks) [t](https://twitter.com/skyworks) [y](https://www.youtube.com/skyworks)

Looking for pricing, stock, or lifecycle information?

Click below to explore more details on WIN SOURCE:

-  [View S18286CC-ISR on WIN SOURCE](#)
-  [Skyworks Solutions Inc. Information](#)

Optimize Your Supply Chain with WIN SOURCE Solutions

-  Global Sourcing Solution
-  Obsolete Management
-  Cost Control Management
-  Shortage Management
-  Alternative Solution
-  Excess Inventory Management