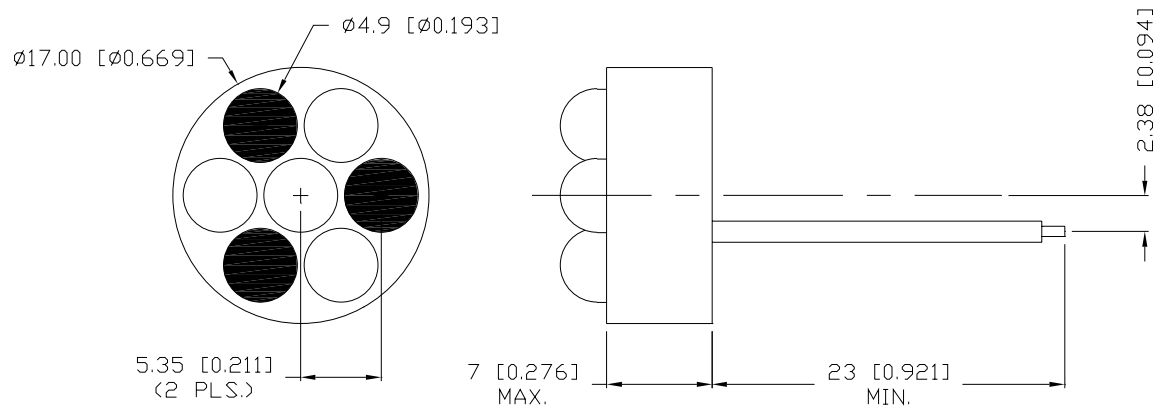




**THE DATASHEET OF  
SSP-LXC06762S7A**





ELECTRO-OPTICAL CHARACTERISTICS  $T_A=25^\circ\text{C}$   $I_f=20/40\text{mA}$

PARAMETER	MIN	TYP	MAX	UNITS	TEST COND
PEAK WAVELENGTH		660 (R)		nm	
		565 (G)		nm	
FORWARD VOLTAGE * (R/G)		5.4/4.4	6.9/5.2	$V_f$	
REVERSE VOLTAGE (R/G)	4.0/5.0			$V_r$	$I_r=100\mu\text{A}$
AXIAL INTENSITY ** (R/G)		2000/300		mcd	$I_f=20/40\text{mA}$
VIEWING ANGLE		30		2x theta	
EMITTED COLOR:	SUPER RED/SUPER GREEN				
EPOXY LENS FINISH:	WATER CLEAR				

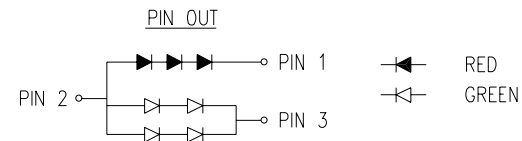
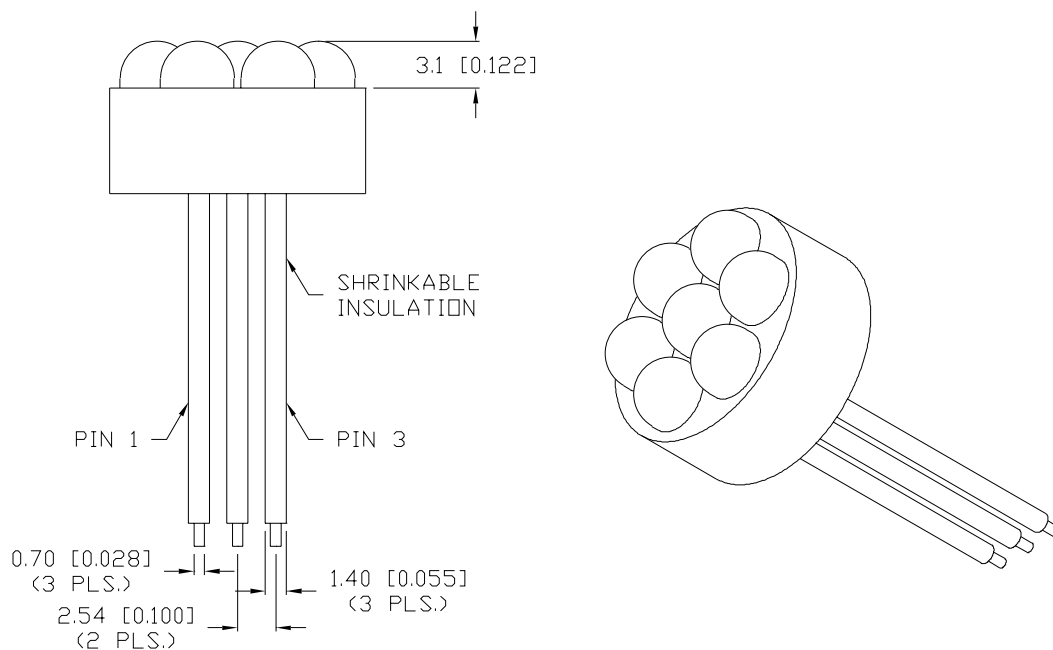
\* VOLTAGE FOR: PIN 1/PIN 3

\*\* INTENSITY PER DIE. TEST CONDITION: CURRENT FOR PIN 1/PIN 3

LIMITS OF SAFE OPERATION AT 25°C PER DIE

PARAMETER	COLORS	MAX	UNITS
PEAK FORWARD CURRENT*		150	mA
STEADY CURRENT	(R/G)	30/25	mA
POWER DISSIPATION		105	mW
DERATE FROM 25°C		-1.6	mW/°C
OPERATING, STORAGE TEMP.		-30 TO +70	°C
SOLDERING TEMP.		+260	°C
2.0mm FROM BODY			3 SEC. MAX

\*  $t < 10\mu\text{s}$



REPLACES PART #: SSP-LXC06462S7A

\*TOLERANCES PER DECIMAL PRECISION ARE: X=±1 (±0.039), XX=±0.5 (±0.020), XXX=±0.25 (±0.010). LEAD LENGTH=±0.75 (±0.030), MIN.= +DECIMAL PRECISION MAX.= +0.00 -DECIMAL PRECISION

REV.

PART NUMBER  
SSP-LXC06762S7A

CONFIDENTIAL INFORMATION  
THE INFORMATION CONTAINED IN THIS DOCUMENT IS THE PROPERTY OF LUMEX INC. EXCEPT AS SPECIFICALLY AUTHORIZED IN WRITING BY LUMEX INC., THE HOLDER OF THIS DOCUMENT SHALL KEEP ALL INFORMATION CONTAINED HEREIN CONFIDENTIAL AND SHALL PROTECT SAME IN WHOLE OR IN PART FROM DISCLOSURE AND DISSEMINATION TO ALL THIRD PARTIES.



290 E. HELLEN ROAD  
PALATINE, ILLINOIS 60067  
PHONE: (847) 359-2790  
WEB: <http://www.lumex.com>

0.67" CIRCULAR, 7 LED CLUSTER, DUAL CLUSTER,  
660nm SUPER RED LEDS, 565nm SUPER GREEN LEDS,  
WATER CLEAR LENS, COMMON ANODE.

RELIABILITY NOTE  
OUR MANY YEARS OF EXPERIENCE DATA ACCUMULATION INDICATE THAT SOLDER HEAT IS A MAJOR CAUSE OF EARLY AND FUTURE FAILURE. PLEASE PAY ATTENTION TO YOUR SOLDERING PROCESS.

DRAWN BY: BC	CHECKED BY:	APPROVED BY:	DATE: 1-14-00
			PAGE: 1 OF 1
			SCALE: N/A

## Looking for pricing, stock, or lifecycle information?

Click below to explore more details on WIN SOURCE:

-  [View SSP-LXC06762S7A on WIN SOURCE](#)
-  [Lumex Opto/Components Inc. Information](#)

## Optimize Your Supply Chain with WIN SOURCE Solutions

-  Global Sourcing Solution
-  Obsolete Management
-  Cost Control Management
-  Shortage Management
-  Alternative Solution
-  Excess Inventory Management