



THE DATASHEET OF SMTL6-UWDW

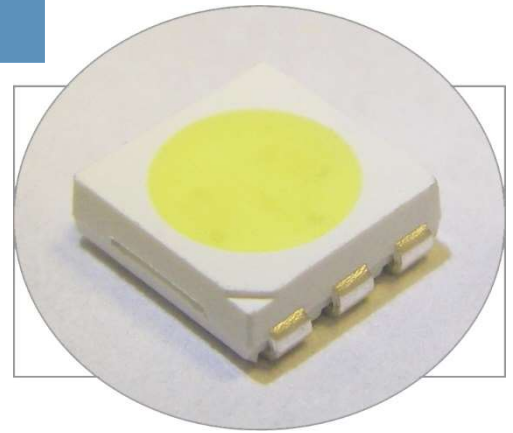


PLCC6 SMD Top View Package LED SMTL6-UWDW, WARM WHITE

BIVAR

SMTL6-UWDW

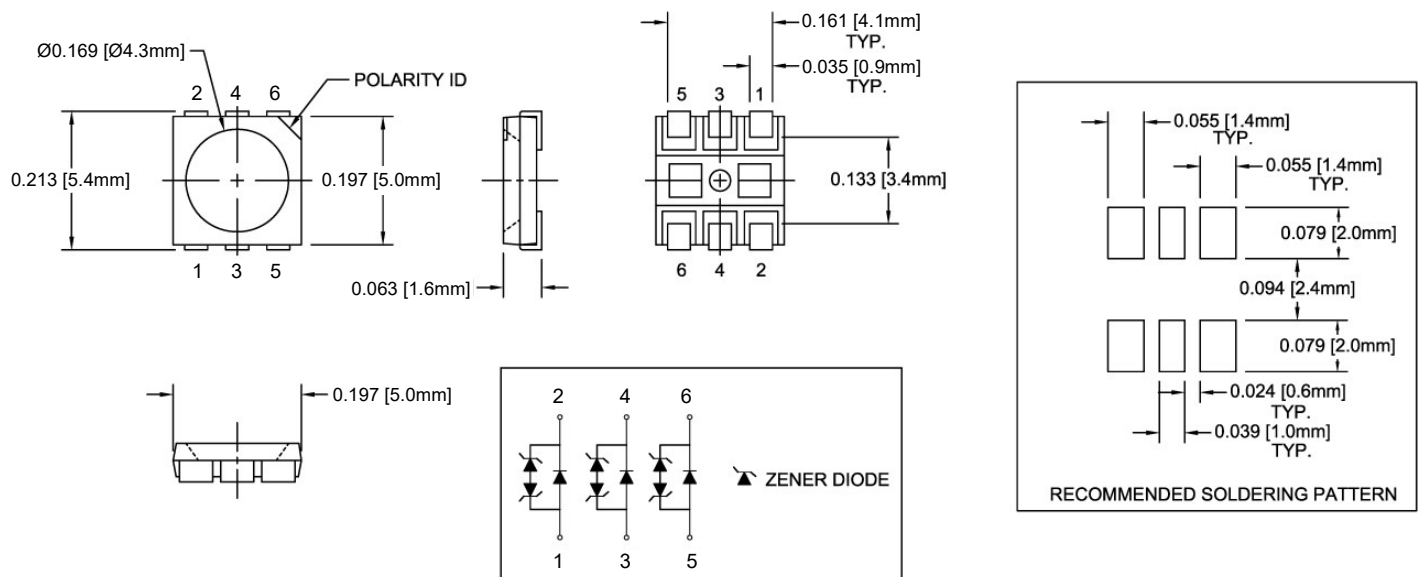
- ◆ Industry Standard PLCC6 Footprint
- ◆ Low Profile Package
- ◆ High Luminous Intensity
- ◆ Wide Viewing Angle
- ◆ High Power Efficiency
- ◆ Equipped with Protective Zener Diode



Bivar SMTL6 LED is offered in an industry standard PLCC6 package with high luminous intensity and wide viewing angles. The miniature package is ideal for small scale applications such as illumination, general indication, and backlighting. Low power consumption and excellent long life reliability are suitable for battery powered equipment. The flexible three chip design allows for a wide variety of lighting options where the chips can be individually driven or in combinations. Bivar SMTL6 LED is packaged in standard tape and reels for pick and place assemblies.

Part Number	Material	Emitted Color	Lumen Typ. mcd	Lens Color	Viewing Angle
SMTL6-UWDW	InGaN	Warm White	10200	Diffused	120°

Outline Dimensions



Outline Drawings Notes:

1. All dimensions are in inches [millimeters].
2. Standard tolerance: ± 0.010 " unless otherwise noted.



Bivar reserves the right to make changes at any time without notice.

PLCC6 SMD Top View Package LED SMTL6-UWDW, WARM WHITE



Absolute Maximum Ratings

T_A = 25°C unless otherwise noted

Power Dissipation	100 mW
Continuous Forward Current	75 mA
Peak Forward Current ¹	75 mA
Electrostatic Discharge Classification (HBM)	2000 V
Reverse Voltage	5 V
Derating Linear from 25°C	0.4 mA/°C
Operating Temperature Range	-30 - +85°C
Storage Temperature Range	-40 - +90°C
Lead Soldering Temperature (3 mm from the base of the epoxy bulb) ²	250°C

Notes: 1. 10% Duty Cycle, Pulse Width ≤ 0.1 msec. 2. Solder time less than 4 seconds at temperature extreme.

Electrical / Optical Characteristics

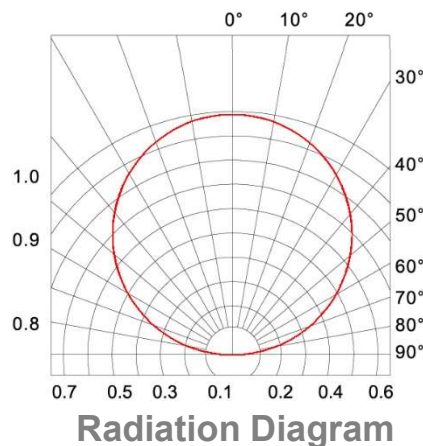
T_A = 25°C & I_F = 60 mA unless otherwise noted

Emitting Color	Forward Voltage (V) ¹			Recommend Forward Current (mA)			Reverse Current (μA)	Chromaticity Coordinates (XY) ² / CCT (Kelvin)	Luminous Intensity I _v (mcd) ³			Viewing Angle 2Θ ½ (deg)
	MIN	TYP	MAX	MIN	TYP	MAX	MAX	TYP	MIN	TYP	MAX	TYP
Warm White	2.8	/	3.4	/	60	/	10	X=0.45, Y=0.41 2840K	7000	/	11000	120

Notes: 1. Tolerance of forward voltage : ±0.05V. 2. Tolerance of chromaticity coordinates : ±0.02. 3. Tolerance of luminous intensity : ±15%

Directivity Radiation

T_A = 25°C unless otherwise noted



Bivar reserves the right to make changes at any time without notice.

PLCC6 SMD Top View Package LED SMTL6-UWDW, WARM WHITE



Typical Electrical / Optical Characteristics Curves

$T_A = 25^\circ\text{C}$ unless otherwise noted

Relative Spectrum Emission $I_{rel} = f(\lambda)$, $T_A = 25^\circ\text{C}$, $I_F = 60\text{ mA}$
 $V(\lambda) = \text{Standard eye response curve}$

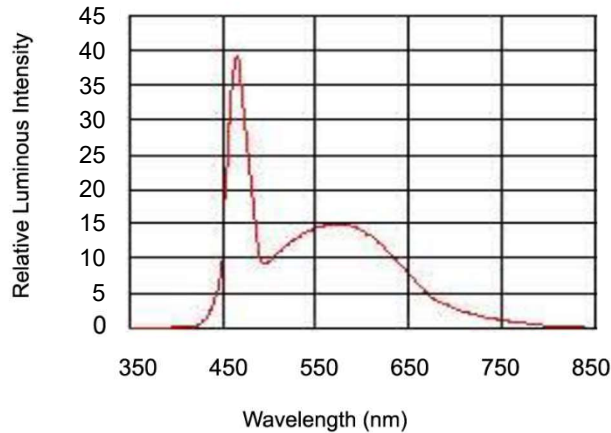


Fig.1 Relative Luminous Intensity vs. Wavelength

Forward Current $I_F = f(V_F)$
 $T_A = 25^\circ\text{C}$

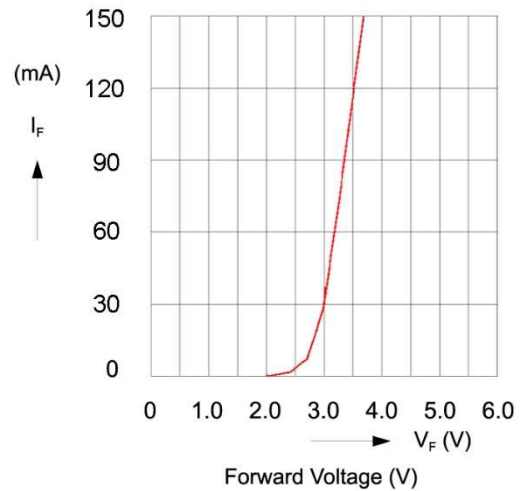


Fig.2 Forward Current vs. Forward Voltage

Relative Luminous Intensity $I_V/I_V(60\text{ mA}) = f(I_F)$
 $T_A = 25^\circ\text{C}$

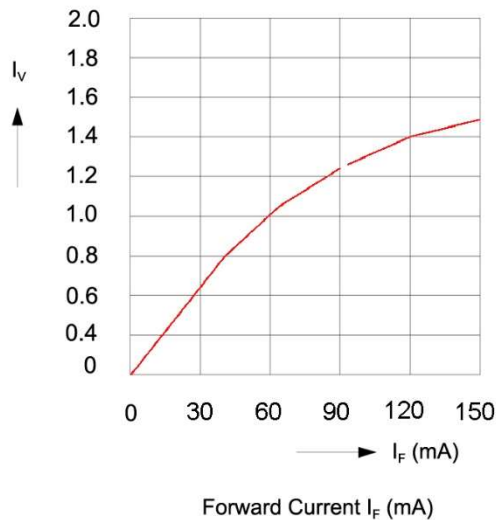


Fig.3 Relative Luminous Intensity vs. Forward Current

Ambient Temperature vs. Allowable Forward Current

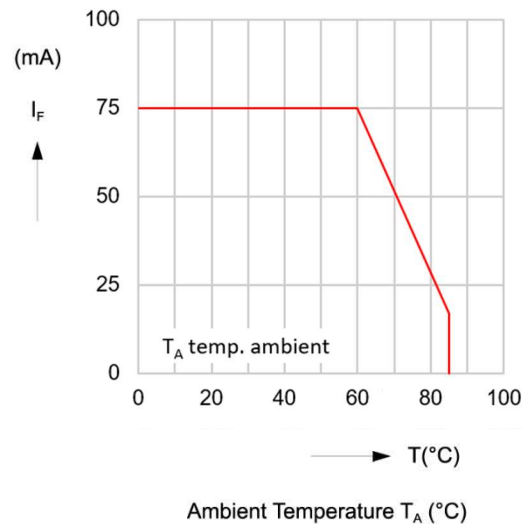
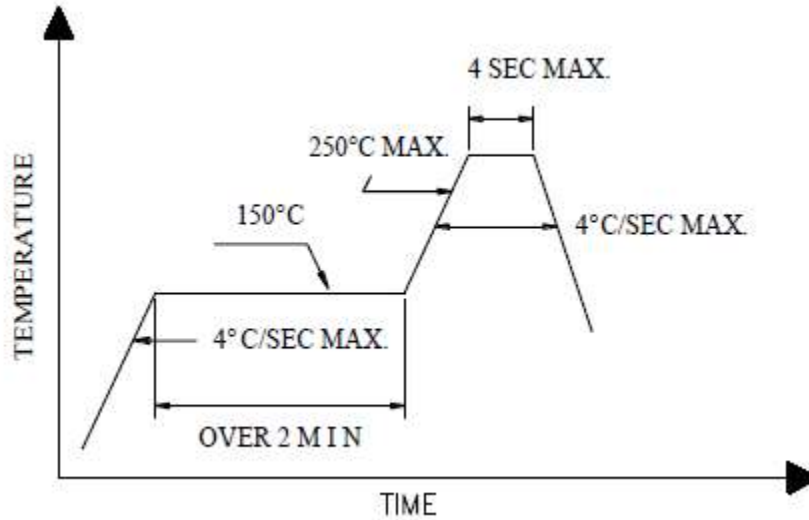


Fig.4 Forward Current vs. Ambient Temperature

Bivar reserves the right to make changes at any time without notice.

Recommended Soldering Conditions



Soldering Iron

1. Temperature at tip of iron: 300 °C Max. (25W Max.)
2. Soldering time: 3 sec ± 1.

PLCC6 SMD Top View Package LED SMTL6-UWDW, WARM WHITE

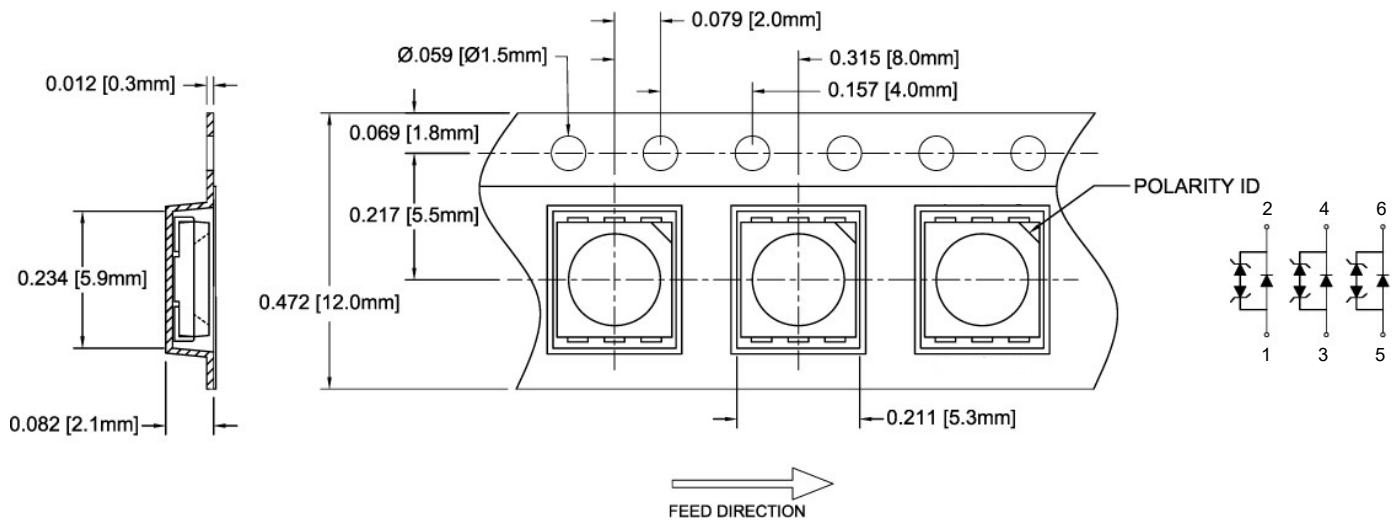


Storage

1. The storage temperature and R.H. are 5 °C ~30 °C, R.H. 60% Max.
2. Once the package is opened, the products should be used within 24 hrs. Otherwise, they should be kept in a dampproof box with a desiccating agent.
3. It is recommended to bake at 70 °C ± 3 °C for 48 hrs before soldering them after the package is unsealed for 24 hrs.

Tape and Reel Dimensions

Note: 1000 pcs/Reel

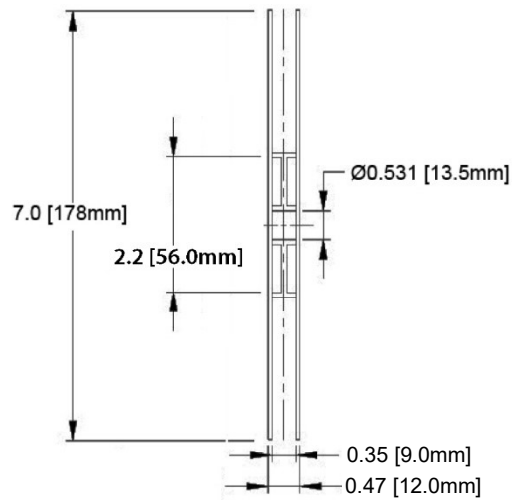
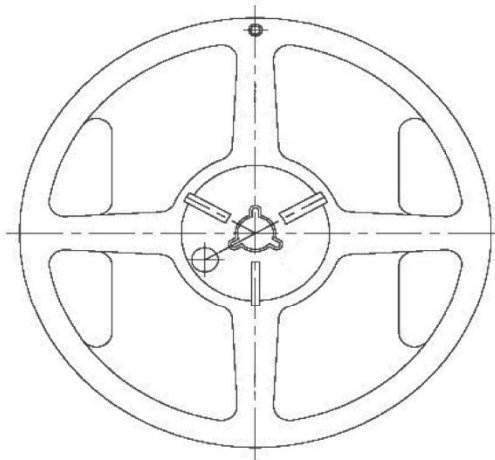


Outline Drawings Notes:

1. All dimensions are in inches [millimeters].
2. Standard tolerance: ±0.010" unless otherwise noted.

Bivar reserves the right to make changes at any time without notice.

PLCC6 SMD Top View Package LED SMTL6-UWDW, WARM WHITE

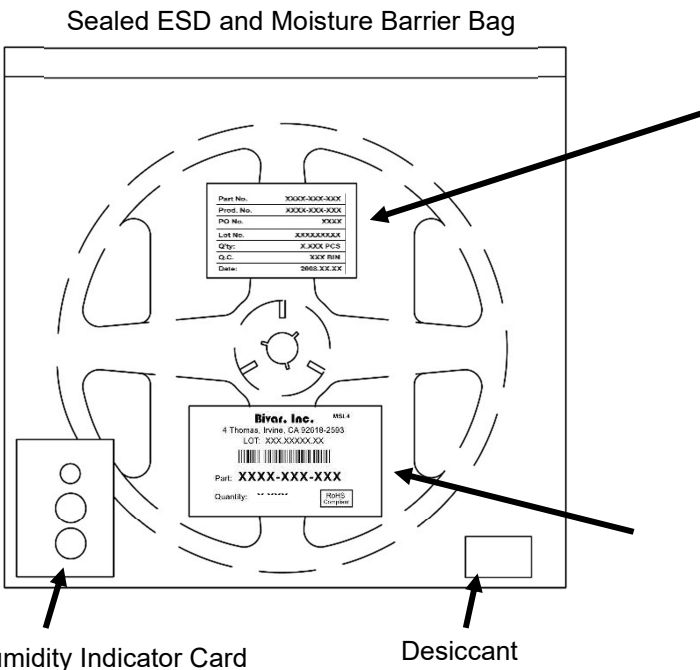


Outline Drawings Notes:

1. All dimensions are in inches [millimeters].
2. Standard tolerance unless otherwise noted: X.XXX ± 0.010"
X.X ± 0.1"

Packaging and Labeling Plan

Note: 1 Reel / Bag



Part No.	XXXX-XXX-XXX
Prod. No.	XXXX-XXX-XXX
PO No.	XXXX
Lot No.	XXXXXXXXXX
Q'ty:	X.XXX PCS
Q.C.	XXX BIN
Date:	2008.XX.XX

Internal Quality Control Label

Bivar, Inc. MSL4

4 Thomas, Irvine, CA 92618-2593
LOT: XXX.XXXXX.XX



Part: **XXXX-XXX-XXX**

Quantity: **X.XXX**

RoHS Compliant

Bivar Standard Packaging Label

Bivar reserves the right to make changes at any time without notice.

Looking for pricing, stock, or lifecycle information?

Click below to explore more details on WIN SOURCE:

 [View SMTL6-UWDW on WIN SOURCE](#)

 [Bivar Inc. Information](#)

Optimize Your Supply Chain with WIN SOURCE Solutions

-  Global Sourcing Solution
-  Obsolete Management
-  Cost Control Management
-  Shortage Management
-  Alternative Solution
-  Excess Inventory Management