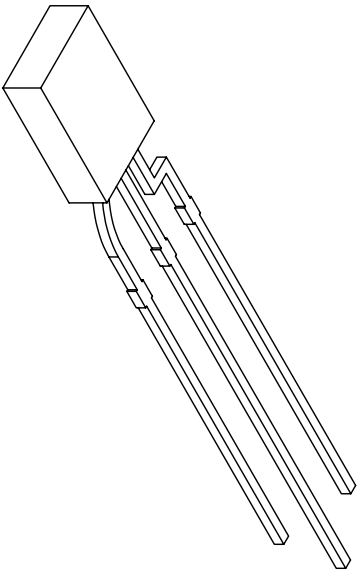




**THE DATASHEET OF  
SSL-LX2579IGW**



|             |  |  |      |   |
|-------------|--|--|------|---|
| PART NUMBER | SSL-LX25791GW                            |  | REV. | B |
| DATE        | E.C.N. NUMBER AND REVISION COMMENTS      |  | REV. | A |
| 01.12.95    | UPDATED SPECS., ADDED LEADS IN TOP VIEW. |  |      |   |
| 03.08.12    | E.C.N. #10BRDR. & REDRAWN.               |  |      | B |



| ELECTRO-OPTICAL CHARACTERISTICS $T_c=25^\circ\text{C}$ |                      |         |     |                |                      |
|--|----------------------|---------|-----|----------------|----------------------|
| PARAMETER  | MIN                  | TYP     | MAX | UNITS          | TEST COND            |
| PEAK WAVELENGTH  |                      | 635/565 |     | nm             |                      |
| FORWARD VOLTAGE  |                      | 2.1     | 2.8 | V <sub>f</sub> | $I_f=100\mu\text{A}$ |
| REVERSE VOLTAGE  | 5.0                  |         |     | V <sub>r</sub> | $I_f=20\text{mA}$    |
| AXIAL INTENSITY  |                      | 14/8    |     | cd             |                      |
| VIEWING ANGLE  |                      | 110     |     | 2x theta       |                      |
| EMITTED COLOR:   | RED/GREEN            |         |     |                |                      |
| LENS FINISH:   | MILKY WHITE DIFFUSED |         |     |                |                      |

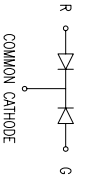
| LIMITS OF SAFE OPERATION AT 25°C |            |       |  |  |
|----------------------------------|------------|-------|--|--|
| PARAMETER                        | MAX        | UNITS |  |  |
| PEAK FORWARD CURRENT*            | 150        | mA    |  |  |
| STEADY CURRENT (R/G)             | 30/25      | mA    |  |  |
| POWER DISSIPATION                | 105        | mW    |  |  |
| DERATE FROM 25°C                 | -1.2       | mW/°C |  |  |
| OPERATING TEMP.                  | -40 TO +85 | °C    |  |  |
| STORAGE TEMP.                    | -40 TO +95 | °C    |  |  |
| SOLDERING TEMP.                  | +260       | °C    |  |  |
| 2.0mm FROM BODY                  | 3          | SEC.  |  |  |

\* I<10µs

10.00±0.50 [0.394±0.020]

1.70 [0.028] MAX.

4.00 [0.157]



GREEN  
-ANODE

HELEN ROAD  
LIL 60067-6976  
+1 847 359 2790  
WWW.LUXEY.COM  
FIM PHOTONICS GROUP

2x5mm RECTANGULAR LED, 635/565nm RED/GREEN, MILKY WHITE DIFFUSED.

\*\*THE SPECIFICATIONS MAY CHANGE AT ANY TIME WITHOUT NOTICE DUE TO NEW MATERIALS OR PRODUCT IMPROVEMENT\*\*

CONFIDENTIAL INFORMATION  
THE INFORMATION CONTAINED IN THIS DOCUMENT IS THE PROPERTY OF LUXEY INC. EXCEPT AS SPECIFICALLY AUTHORIZED IN WRITING BY LUXEY INC., THE HOLDER OF THIS DOCUMENT SHALL KEEP ALL INFORMATION CONTAINED HEREIN CONFIDENTIAL AND SHALL PROTECT SAME IN WHOLE OR IN PART FROM DISCLOSURE AND DISSEMINATION TO ALL THIRD PARTIES.

UNCONTROLLED DOCUMENT

|        |           |           |    |
|--------|-----------|-----------|----|
| DATE:  | 03.08.12  | DRAWN BY: | AB |
| PAGE:  | 1 OF 1    | CHKD BY:  | DT |
| SCALE: | NTS       | APRVD BY: | DT |
| UNIT:  | mm [INCH] |           |    |



## Looking for pricing, stock, or lifecycle information?

Click below to explore more details on WIN SOURCE:

- ⊖ [View SSL-LX2579IGW on WIN SOURCE](#)
- ⊖ [Lumex Opto/Components Inc. Information](#)

## Optimize Your Supply Chain with WIN SOURCE Solutions

- ✓ Global Sourcing Solution
- ✓ Obsolete Management
- ✓ Cost Control Management
- ✓ Shortage Management
- ✓ Alternative Solution
- ✓ Excess Inventory Management