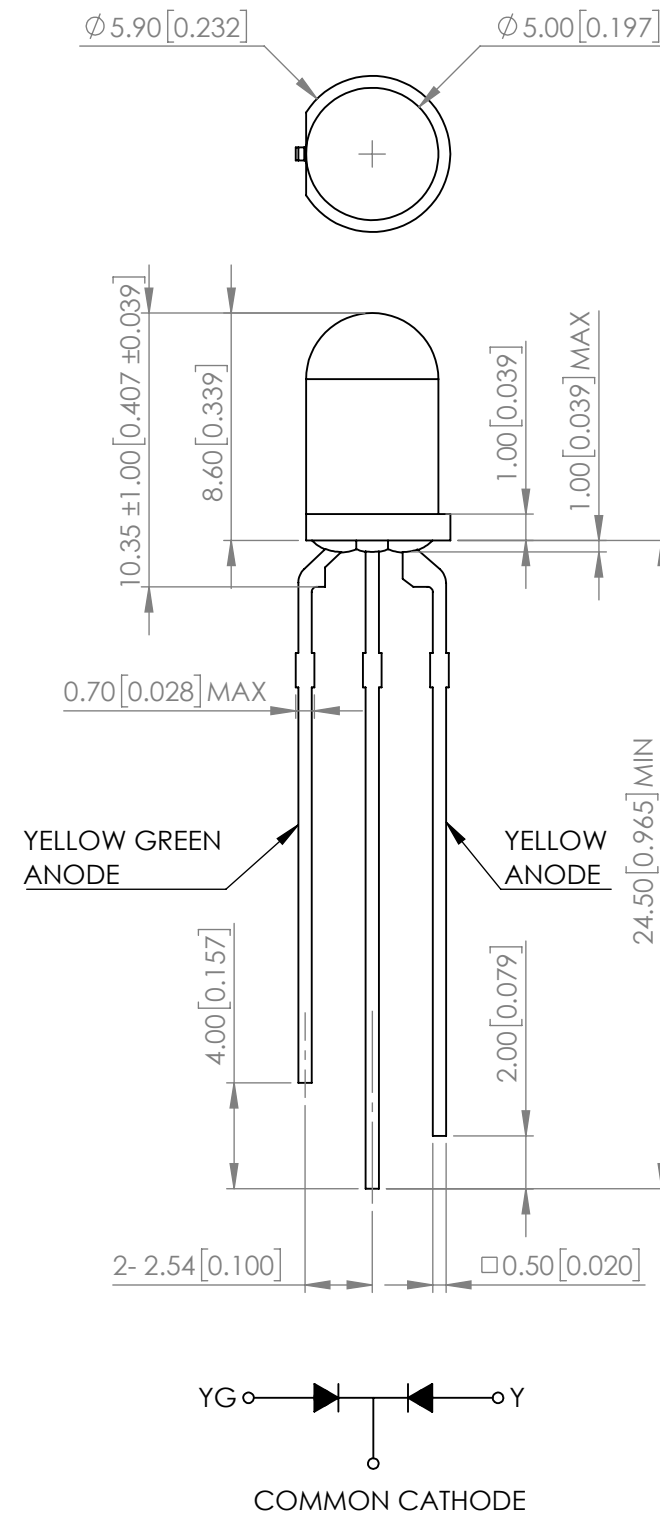




**THE DATASHEET OF
SSL-LX5099YGW**



PART NUMBER	SSL-LX5099YGW	REV	H
REV	E.C.N. NUMBER AND REVISION COMMENTS	DATE	
A	UPDATED SAFE OPER. SPECI.	08.31.95	
B	UPDATED SPECS	06.17.20	
C	UPDATED SPECS	06.17.20	
D	CORRECRED DIMS. WHERE NOTED.	06.17.20	
E	E.C.N.#10BRDR & REDRAWN	06.17.20	
F	E.C.N.#11148	06.17.20	
G	E.C.N.#11695	06.17.20	
H	ECN-Lumex202300081	06.17.20	



ELECTRO-OPTICAL CHARACTERISTIC TA=25°C

PARAMETER		MIN	TYP	MAX	UNITS	TEST COND
PEAK WAVELENGTH	Y	-	590	-	nm	If=20mA
	YG	-	565	-		
FORWARD VOLTAGE	Y	-	2.1	2.5	Vf	If=20mA
	YG	-	2.2	2.5		
REVERSE CURRENT	Y	-	-	10	uA	VR=5V
	YG	-	-	10		
LUMINOUS INTENSITY	Y	-	40	-	mcd	If=20mA
	YG	-	60	-		
VIEWING ANGLE		-	30	-	2x theta1/2	-
EMITTED COLOR	YELLOW / YELLOW GREEN BICOLOR					
EPOXY LENS FINISH	WHITE DIFFUSED					

ABSOLUTE MAXIMUM RATINGS TA=25°C


PARAMETER	MAX	UNITS
PEAK FORWARD CURRENT(Y/YG)*	140/140	mA
FORWARD CURRENT(Y/YG)	30/25	mA
REVERSE VOLTAGE(Y/YG)	5/5	V
POWER DISSIPATION(Y/YG)	75/63	mW
STORAGE TEMPERATURE	-40 TO +85	°C
OPERATING TEMPERATURE	-40 TO +85	°C
LEAD SOLDER TEMPERATURE**	3SEC MAX @260	°C

*1/10 Duty Cycle, 0.1ms Pulse Width

**2mm FROM BODY

STATIC DEVICE FOLLOW PROPER
E.S.D. HANDLING PROCEDURES
WHEN WORKING WITH THIS PART

*UNLESS OTHERWISE SPECIFIED TOLERANCES PER DECIMAL PRECISION ARE: X=±1 (±0.039), X.X=±0.5 (±0.020), X.XX=±0.25 (±0.010), X.XXX=±0.127 (±0.005). LEAD SIZE=±0.05 (±0.002), LEAD LENGTH=±0.75 (±0.030). MIN= ^{+DECIMAL PRECISION}/_{-0.00} MAX= ^{+0.00}/_{-DECIMAL PRECISION}

 <p>425 N. GARY AVE. CAROL STREAM, IL 60188 PHONE : 800-278-5666 FAX : 630-315-2150 WEB : WWW.LUMEX.COM</p>	T-5mm(T-1 3/4), YELLOW GREEN/YELLOW BICOLOR LED, WHITE DIFFUSED LENS, COMMON CATHODE.		DATE : 2023.08.04	DRAWN BY : E.C.
	THE SPECIFICATIONS MAY CHANGE AT ANY TIME WITHOUT NOTICE.		PAGE : 1 OF 1	CHKD BY : T.S.
	CONFIDENTIAL INFORMATION THE INFORMATION CONTAINED IN THIS DOCUMENT IS THE PROPERTY OF LUMEX INC. EXCEPT AS SPECIFICALLY AUTHORIZED IN WRITING BY LUMEX INC., THE HOLDER OF THIS DOCUMENT SHALL KEEP ALL INFORMATION CONTAINED HEREIN CONFIDENTIAL AND SHALL PROTECT SAME IN WHOLE OR IN PART FROM DISCLOSURE AND DISSEMINATION TO ALL THIRD PARTIES.		SCALE : NTF	APRVD BY : G.Y.
			UNIT : mm [INCH]	

Looking for pricing, stock, or lifecycle information?

Click below to explore more details on WIN SOURCE:

- ⊖ [View SSL-LX5099YGW on WIN SOURCE](#)
- ⊖ [Lumex Opto/Components Inc. Information](#)

Optimize Your Supply Chain with WIN SOURCE Solutions

- ✓ Global Sourcing Solution
- ✓ Obsolete Management
- ✓ Cost Control Management
- ✓ Shortage Management
- ✓ Alternative Solution
- ✓ Excess Inventory Management