



**THE DATASHEET OF
SSL-LX100133SGC**



REVISIONS	REV
	A
& #10421. & REDRAWN./	B

DRAWING NUMBER	REV
SSL-LX100133SGC	B

ELECTRO-OPTICAL CHARACTERISTICS $T_A = 25^{\circ}\text{C}$ $I_f = 20\text{mA}$

PARAMETER	MIN	TYP	MAX	UNITS	TEST COND
PEAK WAVELENGTH		565 (GREEN)	2.6	nm	
FORWARD VOLTAGE		2.2		V_f	$I_f = 100\mu\text{A}$
REVERSE VOLTAGE	5.0			V_r	$I_f = 20\text{mA}$
AXIAL INTENSITY		120		mcd	
VIEWING ANGLE		30		2x theta	
EMITTED COLOR:		GREEN			
EPOXY LENS FINISH:		WATER CLEAR			

LIMITS OF SAFE OPERATION AT 25°C

PARAMETER	MAX	UNITS
PEAK FORWARD CURRENT*	150	mA
STEADY CURRENT	25	mA
POWER DISSIPATION	105	mW
DERATE FROM 25°C	-1.2	$\text{mW}/^{\circ}\text{C}$
OPERATING, STORAGE TEMP.	-40 TO +85	$^{\circ}\text{C}$
SOLDERING TEMP.	+260	$^{\circ}\text{C}$
2.0mm FROM BODY	3 SEC. MAX	

* $t < 10\mu\text{s}$

RELIABILITY NOTE
 OUR MANY YEARS OF EXPERIENCE DATA ACCUMULATION INDICATE THAT SOLDER HEAT IS A MAJOR CAUSE OF EARLY AND FUTURE FAILURE. PLEASE PAY ATTENTION TO YOUR SOLDERING PROCESS. ⓑ

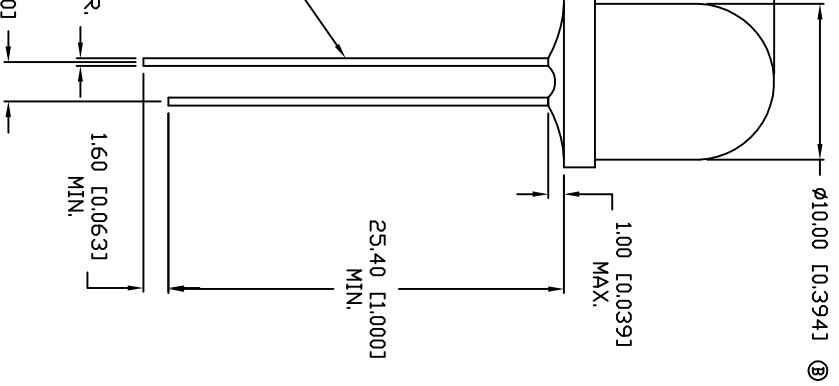
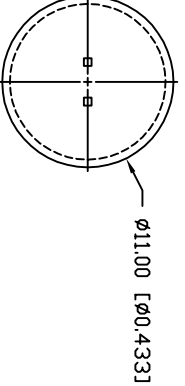


290 E. HELLEN ROAD
 PALATINE, ILLINOIS 60067
 (847) 359-2790

CONFIDENTIAL INFORMATION
 THE INFORMATION CONTAINED IN THIS DOCUMENT IS THE PROPERTY OF LUMEX INCORPORATED. EXCEPT AS SPECIFICALLY AUTHORIZED IN WRITING BY LUMEX INCORPORATED, THE HOLDER OF THIS DOCUMENT SHALL KEEP ALL INFORMATION CONTAINED HEREIN CONFIDENTIAL AND SHALL PROTECT SAME IN WHOLE OR IN PART FROM DISCLOSURE AND DISSEMINATION TO ALL THIRD PARTIES.

DATE:	4-14-93	DWN:	DU	CHK'D:	BC	APPD:	BC
SCALE:	N/A						

T-3 1/8mm (T-10) LED, SUPER GREEN,
 WATER CLEAR LENS.



UNLESS OTHERWISE SPECIFIED TOLERANCE IS ±.25mm (±0.010")

PAGE	1	OF	1	DRAWING NUMBER	SSL-LX100133SGC	REV	B
------	---	----	---	----------------	-----------------	-----	---

Looking for pricing, stock, or lifecycle information?

Click below to explore more details on WIN SOURCE:

- ⊖ [View SSL-LX100133SGC on WIN SOURCE](#)
- ⊖ [Lumex Opto/Components Inc. Information](#)

Optimize Your Supply Chain with WIN SOURCE Solutions

- ✓ Global Sourcing Solution
- ✓ Obsolete Management
- ✓ Cost Control Management
- ✓ Shortage Management
- ✓ Alternative Solution
- ✓ Excess Inventory Management