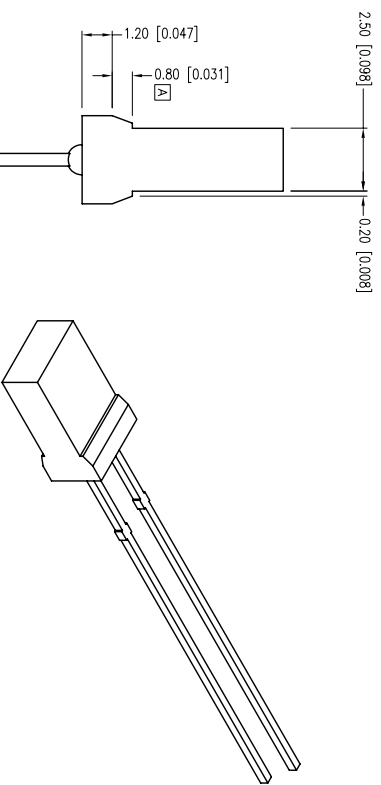




**THE DATASHEET OF  
SSL-LX25583GD**



PART NUMBER	SSL-LX25583GD		REV.	D
DATE	E.C.N. NUMBER AND REVISION COMMENTS		REV.	
03.20.92	ADD CHAMFER TO SHOULDER.		REV.	A
03.09.95	UPDATED SPEC.		REV.	B
07.02.01	E.C.N. #10BRDR. & REDRAWN IN 3D.		REV.	C
1.11.12	E.C.N. #10BRDR. & REDRAWN.		REV.	D



ⓑ ELECTRO-OPTICAL CHARACTERISTICS  $I_f=20\text{mA}$

PARAMETER	MIN	TYP	MAX	UNITS	TEST COND
PEAK WAVELENGTH		565		nm	
FORWARD VOLTAGE		2.2	2.6	Vf	$I_f=100\mu\text{A}$
REVERSE VOLTAGE	5.0			Vr	$I_f=20\text{mA}$
AXIAL INTENSITY		10		cd	
VIEWING ANGLE		110		2x theta	
EMITTED COLOR:	GREEN				
LENS FINISH:	GREEN DIFFUSED				

LIMITS OF SAFE OPERATION AT 25°C

PARAMETER	MAX	UNITS
PEAK FORWARD CURRENT*	150	mA
STEADY CURRENT	25	mA
POWER DISSIPATION	105	mW
DERATE FROM 25°C	-1.2	mW/°C
OPERATING TEMP.	-40 TO +85	°C
STORAGE TEMP.	-40 TO +85	°C
SOLDERING TEMP.	+260	°C
2.0mm FROM BODY	3	SEC.

\* t<10μs

X±1 (+0.039), X.X=±0.5 (+0.020), X.XX=±0.25 (+0.010), X.XXX=±0.127 (+0.005), LEAD SIZE=±0.05 (+0.002), LEAD LENGTH=±0.75 (+0.030), MIN.= -0.001, DECIMAL PRECISION MAX.= +0.001, DECIMAL PRECISION

ENV. ROAD: 60067-6976, 947.359.2790, 3.59.6538, LUXEY.COM, /7W PHOTONICS GROUP

2.5mm x 5mm RECTANGULAR LED WITH SHOULDER, 565nm GREEN LED, GREEN DIFFUSED LENS.

CONFIDENTIAL INFORMATION  
 \*\*THE SPECIFICATIONS MAY CHANGE AT ANY TIME WITHOUT NOTICE DUE TO NEW MATERIALS OR PRODUCT IMPROVEMENT\*\*



UNCONTROLLED DOCUMENT

DATE: 01.11.12 DRAWN BY: AB  
 PAGE: 1 OF 1 CHKD BY: SS  
 SCALE: NTS APRVD BY: SS  
 UNIT: mm [INCH]



## Looking for pricing, stock, or lifecycle information?

Click below to explore more details on WIN SOURCE:

-  [View SSL-LX25583GD on WIN SOURCE](#)
-  [Lumex Opto/Components Inc. Information](#)

## Optimize Your Supply Chain with WIN SOURCE Solutions

-  Global Sourcing Solution
-  Obsolete Management
-  Cost Control Management
-  Shortage Management
-  Alternative Solution
-  Excess Inventory Management