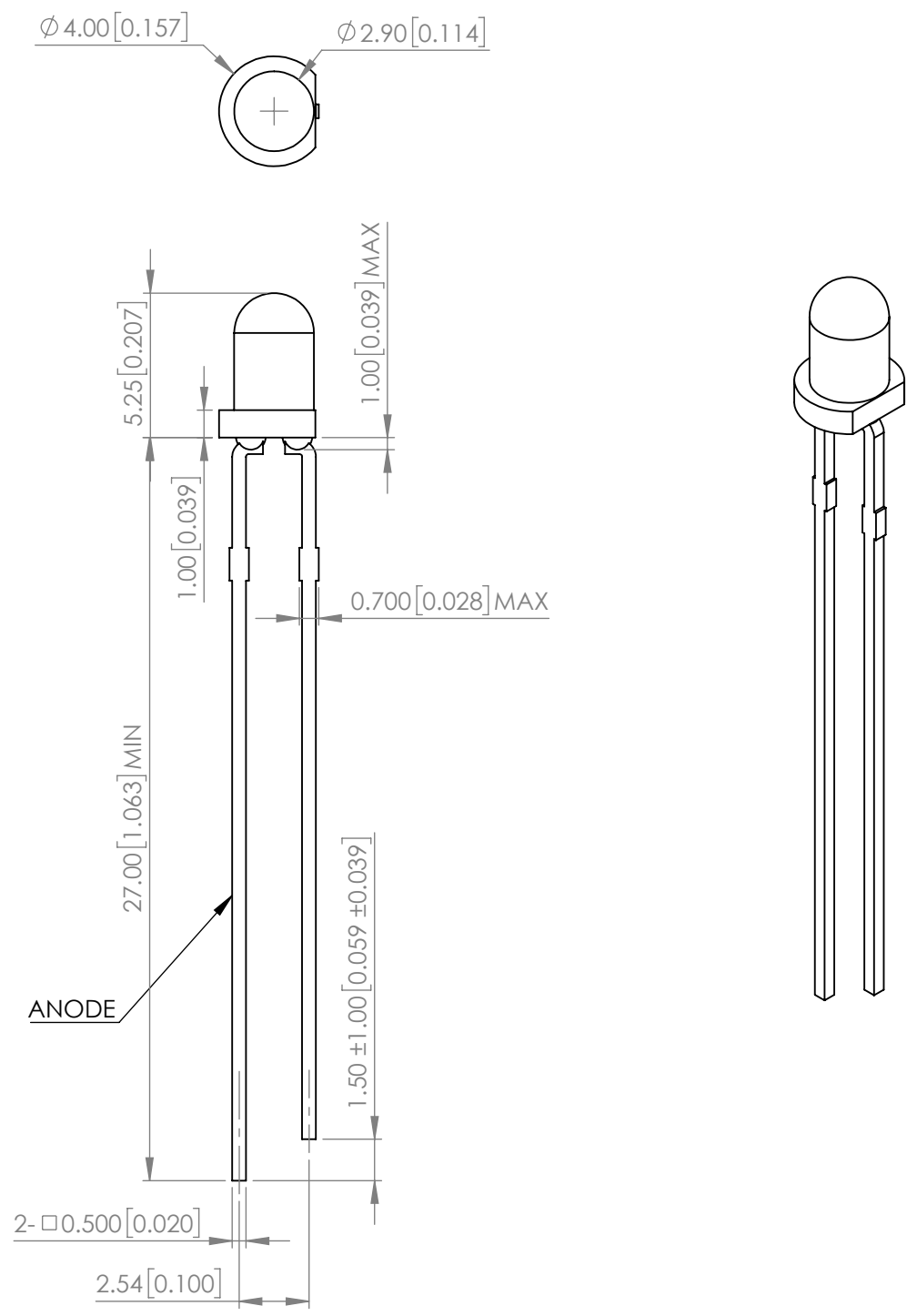




**THE DATASHEET OF
SSL-LX3054LGD**



PART NUMBER	SSL-LX3054LGD	REV	C
REV	E.C.N. NUMBER AND REVISION COMMENTS	DATE	
A	REDRAWN, UPDATED SPECS.	05.10.95	
B	E.C.N. #10BRDR. & REDRAWN IN 3D.	04.16.01	
C	ECN-Lumex202300078	07.26.23	



ELECTRO-OPTICAL CHARACTERISTIC TA=25°C

PARAMETER	MIN	TYP	MAX	UNITS	TEST COND
PEAK WAVELENGTH	-	565	-	nm	If=2mA
FORWARD VOLTAGE	-	1.9	2.25	Vf	If=2mA
REVERSE CURRENT	-	-	10	uA	VR=5V
LUMINOUS INTENSITY	-	3	-	mcd	If=2mA
	-	30	-		If=20mA
VIEWING ANGLE	-	60	-	2x theta _{1/2}	-
EMITTED COLOR	GREEN				
EPOXY LENS FINISH	GREEN DIFFUSED				

ABSOLUTE MAXIMUM RATINGS TA=25°C

PARAMETER	MAX	UNITS
PEAK FORWARD CURRENT*	140	mA
FORWARD CURRENT	25	mA
REVERSE VOLTAGE	5	V
POWER DISSIPATION	60	mW
STORAGE TEMPERATURE	-40 TO +85	°C
OPERATING TEMPERATURE	-40 TO +85	°C
LEAD SOLDER TEMPERATURE**	3SEC MAX @260	°C

*1/10 DUTY CYCLE, 0.1mS PULSE WIDTH
 **2mm FROM BODY

*UNLESS OTHERWISE SPECIFIED TOLERANCES PER DECIMAL PRECISION ARE: X=±1 (±0.039), X.X=±0.5 (±0.020), X.XX=±0.25 (±0.010), X.XXX=±0.127 (±0.005). LEAD SIZE=±0.05 (±0.002), LEAD LENGTH=±0.75 (±0.030). MIN= ^{+DECIMAL PRECISION}/_{-0.00} MAX= ^{+0.00}/_{-DECIMAL PRECISION}

Looking for pricing, stock, or lifecycle information?

Click below to explore more details on WIN SOURCE:

-  [View SSL-LX3054LGD on WIN SOURCE](#)
-  [Lumex Opto/Components Inc. Information](#)

Optimize Your Supply Chain with WIN SOURCE Solutions

-  Global Sourcing Solution
-  Obsolete Management
-  Cost Control Management
-  Shortage Management
-  Alternative Solution
-  Excess Inventory Management