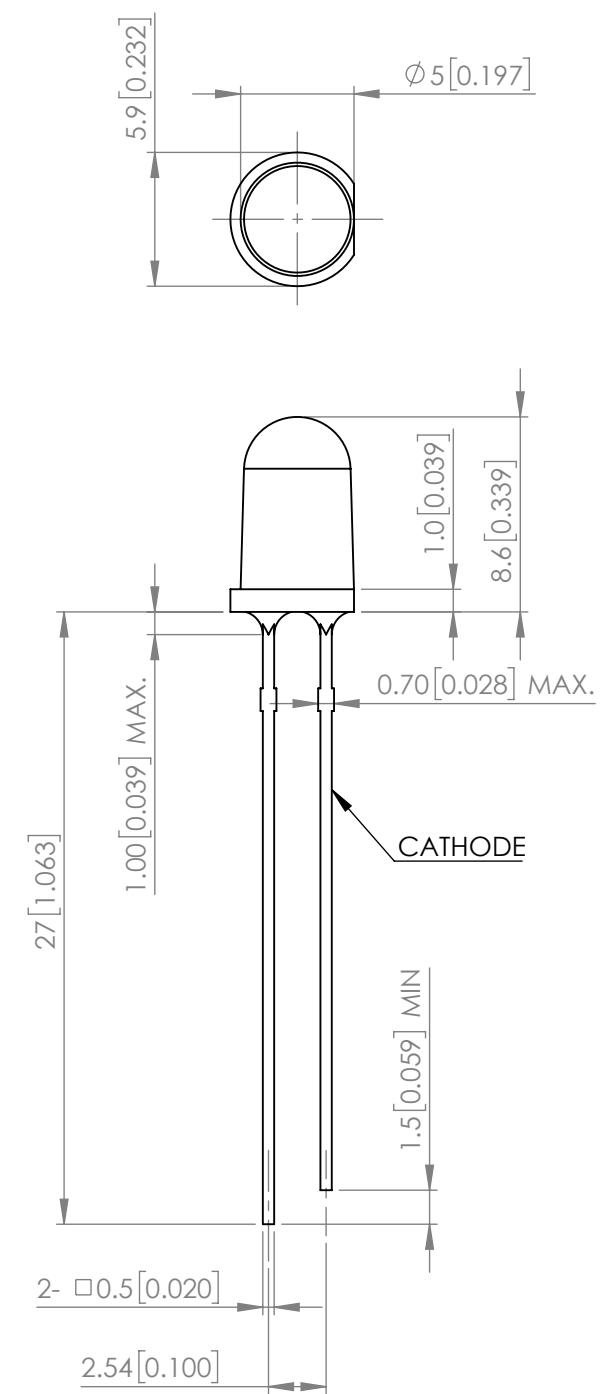




**THE DATASHEET OF
SSL-LX5093SRC/DU**



PART NUMBER	SSL-LX5093SRC/X	REV	G
REV	E.C.N. NUMBER AND REVISION COMMENTS	DATE	
A	UPDATED SPECS.	01.05.95	
B	E.C.N. #10251.	09.30.96	
C	E.C.N. #10BRDR. & REDRAWN IN 3D.	05.31.01	
D	E.C.N. #10788.	09.13.01	
E	E.C.N. #11148.	10.25.06	
F	E.C.N. #10BRDR. & REDRAWN.	09.27.12	
G	ECN-Lumex201700061	08.24.17	



ELECTRO-OPTICAL CHARACTERISTIC TA=25°C

PARAMETER	MIN	TYP	MAX	UNITS	TEST COND
PEAK WAVELENGTH	-	660	-	nm	If=20mA
FORWARD VOLTAGE	-	1.7	2.2	Vf	If=20mA
REVERSE VOLTAGE	-	-	4	Vr	Ir=100uA
LUMINOUS INTENSITY	/DU	-	1200	-	mcd If=20mA
	/DV	-	1500	-	
	/DW	-	1800	-	
VIEWING ANGLE	-	30	-	2x theta1/2	-
EMITTED COLOR	RED				
EPOXY LENS FINISH	WATER CLEAR				

ABSOLUTE MAXIMUM RATINGS TA=25°C

PARAMETER	MAX	UNITS
PEAK FORWARD CURRENT*	150	mA
FORWARD CURRENT	30	mA
POWER DISIPATION	100	mW
STORAGE TEMPERATURE	-40 TO +85	°C
OPERATING TEMPERATURE	-40 TO +85	°C
SOLDERING TEMPERATURE**	3 SEC. MAX. @260	°C

*t<10us
**2.0mm FROM BODY

*UNLESS OTHERWISE SPECIFIED TOLERANCES PER DECIMAL PRECISION ARE: X=±1 (±0.039), X.X=±0.5 (±0.020), X.XX=±0.25 (±0.010), X.XXX=±0.127 (±0.005). LEAD SIZE=±0.05 (±0.002), LEAD LENGTH=±0.75 (±0.030). MIN= ^{+DECIMAL PRECISION}/_{-0.00} MAX= ^{+0.00}/_{-DECIMAL PRECISION}

Looking for pricing, stock, or lifecycle information?

Click below to explore more details on WIN SOURCE:

- ⊖ [View SSL-LX5093SRC/DU on WIN SOURCE](#)
- ⊖ [Lumex Opto/Components Inc. Information](#)

Optimize Your Supply Chain with WIN SOURCE Solutions

- ✓ Global Sourcing Solution
- ✓ Obsolete Management
- ✓ Cost Control Management
- ✓ Shortage Management
- ✓ Alternative Solution
- ✓ Excess Inventory Management