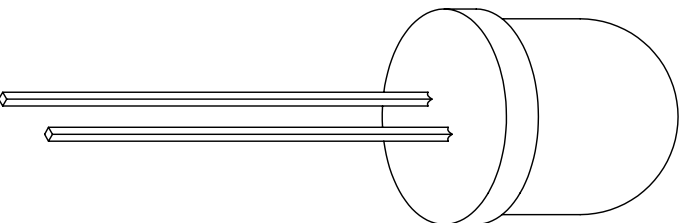
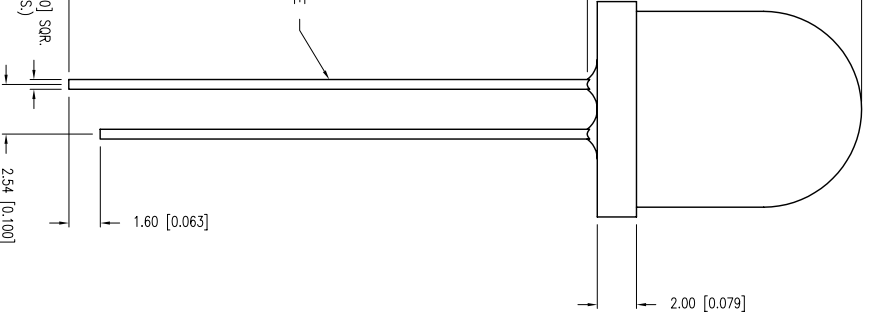
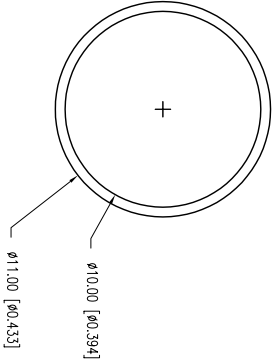




**THE DATASHEET OF
SSL-LX100133SRD/G**



PART NUMBER	SSL-LX100133SRD(B-/G)	REV.	C
DATE	E.C.N. NUMBER AND REVISION COMMENTS	REV.	
05.17.94	REVISED INTENSITY SPECS.	A	
07.06.95	UPDATED SAFE OPER. SPEC.	B	
03.02.11	E.C.N. #10BRDR. & #10421. & REDRAWN.	C	



ELECTRO-OPTICAL CHARACTERISTICS $I_A=25^\circ\text{C}$ $I_f=20\text{mA}$

PARAMETER	MIN	TP	MAX	UNITS	TEST COND
PEAK WAVELENGTH	660	(RED)	2.2	nm	
FORWARD VOLTAGE	4.0	1.7	2.2	V _f	$I_f=100\mu\text{A}$
REVERSE VOLTAGE				V _r	$I_f=20\text{mA}$
AKAL INTENSITY /B	120	160		med	$I_f=20\text{mA}$
/C	200	275		med	$I_f=20\text{mA}$
/D	350	400		med	$I_f=20\text{mA}$
/E	450	500		med	$I_f=20\text{mA}$
/F	550	600		med	$I_f=20\text{mA}$
/G	650	725		med	$I_f=20\text{mA}$
VIEWING ANGLE		60		2x theta	
EMITTED COLOR:		RED			
EPOXY LENS FINISH:		RED DIFFUSED			

LIMITS OF SAFE OPERATION AT 25°C

PARAMETER	MAX	UNITS
PEAK FORWARD CURRENT*	150	mA
STEADY CURRENT	30	mA
POWER DISSIPATION	105	mW
DERATE FROM 25°C	-1.2	mW/°C
OPERATING TEMP.	-40 TO +85	°C
STORAGE TEMP.	-40 TO +85	°C
SOLDERING TEMP.	+260	°C
2.0mm FROM BODY		3 SEC. MAX
* I<10μS		

REPLACES PART# SSL-LX100133SR0

HELEN ROAD
E. IL 60067-6976
+1.847.359.2790
WWW.LUXEY.COM

T-3 1/8mm (T-10) LED, SUPER RED, RED DIFFUSED LENS.

THE SPECIFICATIONS MAY CHANGE AT ANY TIME WITHOUT NOTICE DUE TO NEW MATERIALS OR PRODUCT IMPROVEMENT

CONFIDENTIAL INFORMATION
THE INFORMATION CONTAINED IN THIS DOCUMENT IS THE PROPERTY OF LUXEY INC. EXCEPT AS SPECIFICALLY AUTHORIZED IN WRITING BY LUXEY INC., THE HOLDER OF THIS DOCUMENT SHALL KEEP ALL INFORMATION CONTAINED HEREIN CONFIDENTIAL AND SHALL PROTECT SAME IN WHOLE OR IN PART FROM DISCLOSURE AND DISSEMINATION TO ALL THIRD PARTIES.

UNCONTROLLED DOCUMENT

DATE:	03.02.11	DRAWN BY:	AB
PAGE:	1 OF 1	CHKD BY:	KF
SCALE:	NTS	APRVD BY:	SS
UNIT:	mm [INCH]		



Looking for pricing, stock, or lifecycle information?

Click below to explore more details on WIN SOURCE:

- ⊖ [View SSL-LX100133SRD/G on WIN SOURCE](#)
- ⊖ [Lumex Opto/Components Inc. Information](#)

Optimize Your Supply Chain with WIN SOURCE Solutions

- ✓ Global Sourcing Solution
- ✓ Obsolete Management
- ✓ Cost Control Management
- ✓ Shortage Management
- ✓ Alternative Solution
- ✓ Excess Inventory Management