



**THE DATASHEET OF
SLX-LX5093UWC/F**

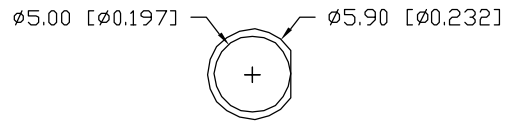


UNCONTROLLED DOCUMENT

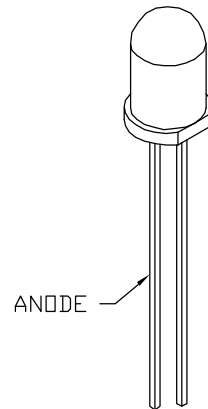
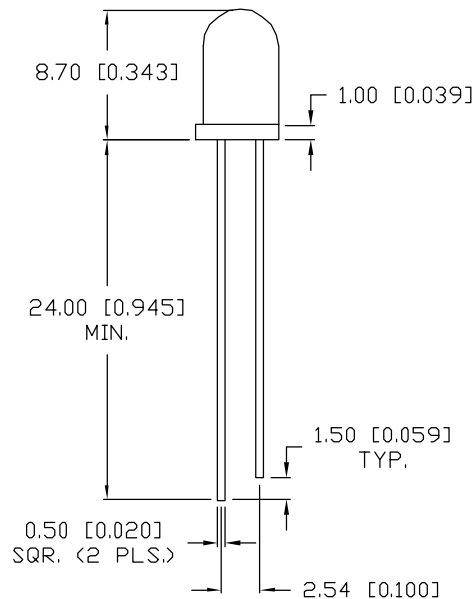
PART NUMBER
SLX-LX5093UWC/X

REV.
B

| REV. | E.C.N. NUMBER AND REVISION COMMENTS | DATE |
|------|-------------------------------------|---------|
| A | E.C.N. #11027. | 8.26.03 |
| B | E.C.N. #11130. | 6.9.04 |



CAUTION: STATIC SENSITIVE DEVICE
FOLLOW PROPER E.S.D. HANDLING PROCEDURES
WHEN WORKING WITH THIS PART.



NOTES:
1. SILVER LEADS.

ELECTRO-OPTICAL CHARACTERISTICS $T_A=25^{\circ}\text{C}$

| PARAMETER | SYMBOL | MIN | TYP | MAX | UNITS | TEST COND |
|---------------------|-------------|-----|------|-----|----------|---------------------|
| PEAK WAVELENGTH | | | - | | nm | |
| FORWARD VOLTAGE | V_f | | 3.5 | 4.0 | V | $I_f=20\text{mA}$ |
| REVERSE VOLTAGE | V_r | 5 | | | V | $I_r=10\mu\text{A}$ |
| AXIAL INTENSITY(*1) | I_v | | 2000 | | mcd | $I_f=20\text{mA}$ |
| | /E | | | | | |
| | /F | | 5000 | | | |
| | /G | | 5500 | | | |
| CHROMATICITY | X | | 0.30 | | | $I_f=20\text{mA}$ |
| COORDINATES(*2) | Y | | 0.30 | | | |
| VIEWING ANGLE | | | 25 | | 2x theta | |
| EMITTED COLOR: | WHITE | | | | | |
| EPOXY LENS FINISH: | WATER CLEAR | | | | | |

*1. AXIAL INTENSITY TESTING CONDITION: 550nm WAVELENGTH.
*2. THE ICI STANDARD COLORIMETRIC SYSTEM.

LIMITS OF SAFE OPERATION AT 25°C PER DIE

| PARAMETER | MAX | UNITS |
|--------------------------|------------|------------|
| PEAK FORWARD CURRENT* | 100 | mA |
| STEADY CURRENT | 25 | mA |
| POWER DISSIPATION | 120 | mW |
| DERATE FROM 25°C | -1.2 | mW/°C |
| OPERATING, STORAGE TEMP. | -40 TO +85 | °C |
| SOLDERING TEMP. | +260 | °C |
| 2.0mm FROM BODY | | 3 SEC. MAX |

* $t < 10\mu\text{s}$

UNCONTROLLED DOCUMENT

*UNLESS OTHERWISE SPECIFIED TOLERANCES PER DECIMAL PRECISION ARE: X=±1 (±0.039), X.X=±0.5 (±0.020), X.XX=±0.25 (±0.010), X.XXX=±0.127 (±0.005). LEAD SIZE=±0.05 (±0.002), LEAD LENGTH=±0.75 (±0.030). MIN.= +DECIMAL PRECISION MAX.= +0.00 -DECIMAL PRECISION

REV. B PART NUMBER SLX-LX5093UWC/X

CONFIDENTIAL INFORMATION
THE INFORMATION CONTAINED IN THIS DOCUMENT IS THE PROPERTY OF LUMEX INC. EXCEPT AS SPECIFICALLY AUTHORIZED IN WRITING BY LUMEX INC., THE HOLDER OF THIS DOCUMENT SHALL KEEP ALL INFORMATION CONTAINED HEREIN CONFIDENTIAL AND SHALL PROTECT SAME IN WHOLE OR IN PART FROM DISCLOSURE AND DISSEMINATION TO ALL THIRD PARTIES.



290 E. HELEN ROAD
PALATINE, IL 60067-6976
PHONE: +1.847.359.2790
US WEB: www.lumex.com
TW WEB: www.lumex.com.tw

T-5mm (T-1 3/4) ULTRA WHITE LED,
WATER CLEAR LENS.

RELIABILITY NOTE
OUR MANY YEARS OF EXPERIENCE DATA ACCUMULATION INDICATE THAT SOLDER HEAT IS A MAJOR CAUSE OF EARLY AND FUTURE FAILURE. PLEASE PAY ATTENTION TO YOUR SOLDERING PROCESS.

DRAWN BY: BC CHECKED BY: APPROVED BY: DATE: 7.8.03
PAGE: 1 OF 1
SCALE: N/A

Looking for pricing, stock, or lifecycle information?

Click below to explore more details on WIN SOURCE:

- ⊖ [View SLX-LX5093UWC/F on WIN SOURCE](#)
- ⊖ [Lumex Opto/Components Inc. Information](#)

Optimize Your Supply Chain with WIN SOURCE Solutions

- ✓ Global Sourcing Solution
- ✓ Obsolete Management
- ✓ Cost Control Management
- ✓ Shortage Management
- ✓ Alternative Solution
- ✓ Excess Inventory Management