



**THE DATASHEET OF
SSL-LX4673SYD-LA20**



PART NUMBER	SSL-LX4673SYD-LA20		REV.	B
DATE	E.C.N. NUMBER AND REVISION COMMENTS		REV.	
07.10.01	E.C.N. #10BRDR. & REDRAWN IN 3D.		A	
08.17.12	E.C.N. #10BRDR. & REDRAWN.		B	

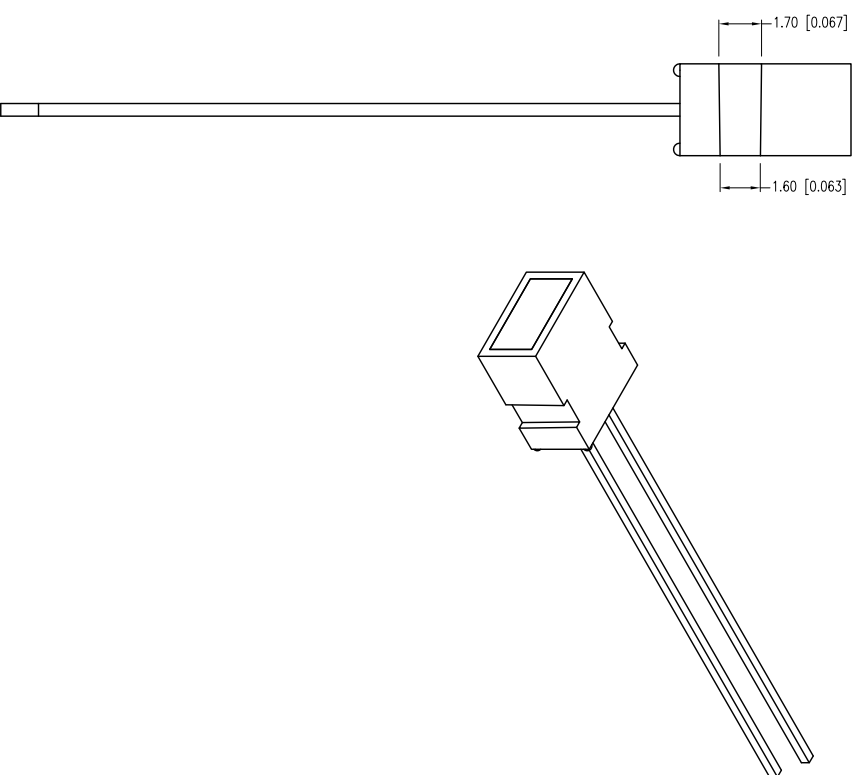
ELECTRO-OPTICAL CHARACTERISTICS $I_a=20mA$

PARAMETER	MIN	TP	MAX	UNITS	TEST COND
PEAK WAVELENGTH	590	590	2.5	nm	
FORWARD VOLTAGE		2.0		Vf	$I_f=100\mu A$
REVERSE VOLTAGE	5.0			Vr	
AXIAL INTENSITY		100		med	$I_f=20mA$
VIEWING ANGLE		100		2x theta	
EMITTED COLOR:	YELLOW				
LENS FINISH:	YELLOW DIFFUSED				

LIMITS OF SAFE OPERATION AT 25°C

PARAMETER	MAX	UNITS
PEAK FORWARD CURRENT*	150	mA
STEADY CURRENT	30	mA
POWER DISSIPATION	105	mW
DERATE FROM 25°C	-1.2	mW/°C
OPERATING TEMP.	-40 TO +85	°C
STORAGE TEMP.	-40 TO +85	°C
SOLDERING TEMP.	+260	°C
2.0mm FROM BODY	3	SEC.

* I<10µS



X±1 (±0.039), X-X±0.5 (±0.020), X-XX±0.25 (±0.010), X-XXX±0.127 (±0.009), LEAD SIZE±0.05 (±0.002), LEAD LENGTH±0.75 (±0.030), MIN±0.001, DECIMAL PRECISION MAX±0.001, DECIMAL PRECISION

EN R000
60067-6976
94773592790
LUXEY.COM
/7W PHOTONICS GROUP

QUASARBRITE 4mm x 7mm RECT LED, 590nm YELLOW, YELLOW DIFFUSED.

THE SPECIFICATIONS MAY CHANGE AT ANY TIME WITHOUT NOTICE DUE TO NEW MATERIALS OR PRODUCT IMPROVEMENT

CONFIDENTIAL INFORMATION
THE INFORMATION CONTAINED IN THIS DOCUMENT IS THE PROPERTY OF LUXEY INC. EXCEPT AS SPECIFICALLY AUTHORIZED IN WRITING BY LUXEY INC., THE HOLDER OF THIS DOCUMENT SHALL KEEP ALL INFORMATION CONTAINED HEREIN CONFIDENTIAL AND SHALL PROTECT SAME IN WHOLE OR IN PART FROM DISCLOSURE AND DISSEMINATION TO ALL THIRD PARTIES.

UNCONTROLLED DOCUMENT

DATE:	08.17.12	DRAWN BY:	AB
PAGE:	1 OF 1	CHKD BY:	KF
SCALE:	NTS	APRVD BY:	KF
UNIT:	mm [INCH]		

Looking for pricing, stock, or lifecycle information?

Click below to explore more details on WIN SOURCE:

- ⊖ [View SSL-LX4673SYD-LA20 on WIN SOURCE](#)
- ⊖ [Lumex Opto/Components Inc. Information](#)

Optimize Your Supply Chain with WIN SOURCE Solutions

- ✓ Global Sourcing Solution
- ✓ Obsolete Management
- ✓ Cost Control Management
- ✓ Shortage Management
- ✓ Alternative Solution
- ✓ Excess Inventory Management