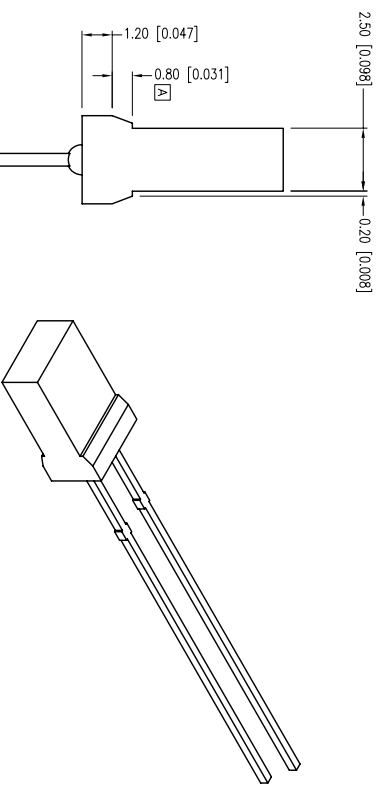




**THE DATASHEET OF
SSL-LX25583YD**



PART NUMBER	SSL-LX255583YD		REV.	D
DATE	E.C.N. NUMBER AND REVISION COMMENTS		REV.	
03.27.92	ADD CHAMFER TO SHOULDER.		REV.	A
06.01.95	UPDATED SPEC.		REV.	B
07.02.01	E.C.N. #10BRDR. & REDRAWN IN 3D.		REV.	C
1.11.12	E.C.N. #10BRDR. & REDRAWN.		REV.	D



Ⓛ ELECTRO-OPTICAL CHARACTERISTICS $I_a=25\text{mA}$ $I_f=20\text{mA}$

PARAMETER	MIN	TP	MAX	UNITS	TEST COND
PEAK WAVELENGTH		585		nm	
FORWARD VOLTAGE		2.1	2.5	Vf	$I_f=100\mu\text{A}$
REVERSE VOLTAGE	5.0			Vr	$I_f=20\text{mA}$
AXIAL INTENSITY		10		med	
VIEWING ANGLE		110		2x theta	
EMITTED COLOR:	YELLOW				
LENS FINISH:	YELLOW DIFFUSED				

LIMITS OF SAFE OPERATION AT 25°C

PARAMETER	MAX	UNITS
PEAK FORWARD CURRENT*	150	mA
STEADY CURRENT	30	mA
POWER DISSIPATION	105	mW
DERATE FROM 25°C	-1.2	mW/°C
OPERATING TEMP.	-40 TO +85	°C
STORAGE TEMP.	-40 TO +85	°C
SOLDERING TEMP.	+260	°C
2.0mm FROM BODY	3	SEC.

* t<10μs

X±1 (+0.039), X-X±0.5 (+0.020), X-XX±0.25 (+0.010), X-XXX±0.127 (+0.005), LEAD SIZE±0.05 (+0.002), LEAD LENGTH±0.75 (+0.030), MIN±0.001, DECIMAL PRECISION
 HELEN ROAD
 E. I. L 60067-6976
 +1.847.359.2790
 WWW.LUMEX.COM

2.5mm x 5mm RECTANGULAR LED WITH SHOULDER, 585nm YELLOW LED, YELLOW DIFFUSED LENS.
 THE SPECIFICATIONS MAY CHANGE AT ANY TIME WITHOUT NOTICE DUE TO NEW MATERIALS OR PRODUCT IMPROVEMENT
 CONFIDENTIAL INFORMATION
 THE INFORMATION CONTAINED IN THIS DOCUMENT IS THE PROPERTY OF LUMEX INC. EXCEPT AS SPECIFICALLY AUTHORIZED IN WRITING BY LUMEX INC., THE HOLDER OF THIS DOCUMENT SHALL KEEP ALL INFORMATION CONTAINED HEREIN CONFIDENTIAL AND SHALL PROTECT SAME IN WHOLE OR IN PART FROM DISCLOSURE AND DISSEMINATION TO ALL THIRD PARTIES.

UNCONTROLLED DOCUMENT

DATE:	01.11.12	DRAWN BY:	AB
PAGE:	1 OF 1	CHKD BY:	KF
SCALE:	NTS	APRVD BY:	DT
UNIT:	mm [INCH]		



Looking for pricing, stock, or lifecycle information?

Click below to explore more details on WIN SOURCE:

- ⊖ [View SSL-LX25583YD on WIN SOURCE](#)
- ⊖ [Lumex Opto/Components Inc. Information](#)

Optimize Your Supply Chain with WIN SOURCE Solutions

- ✓ Global Sourcing Solution
- ✓ Obsolete Management
- ✓ Cost Control Management
- ✓ Shortage Management
- ✓ Alternative Solution
- ✓ Excess Inventory Management