



**THE DATASHEET OF
SSL-LX4673YD-LA20**

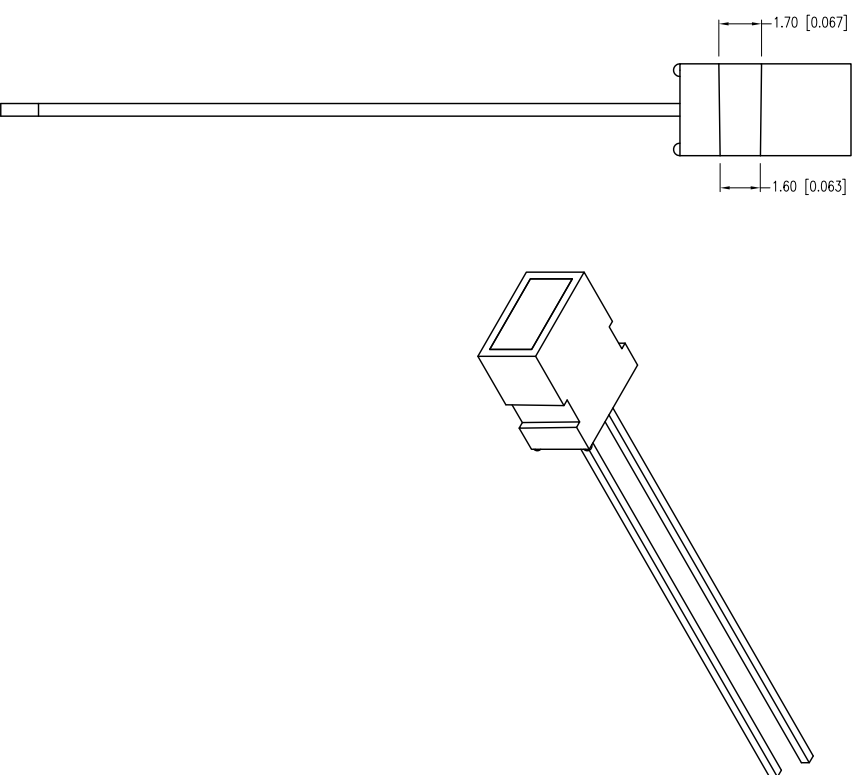


PART NUMBER	SSL-LX4673YD-LA20		REV.	B
DATE	E.C.N. NUMBER AND REVISION COMMENTS		REV.	
07.10.01	E.C.N. #10BRDR. & REDRAWN IN 3D.		A	
08.17.12	E.C.N. #10BRDR. & REDRAWN.		B	

ELECTRO-OPTICAL CHARACTERISTICS $I_a=25\text{mA}$				
PARAMETER	MIN	TYP	MAX	UNITS TEST COND
PEAK WAVELENGTH		585		nm
FORWARD VOLTAGE		2.1	2.5	Vf $I_f=100\mu\text{A}$
REVERSE VOLTAGE	5.0			Vr $I_f=20\text{mA}$
AXIAL INTENSITY		6		med
VIEWING ANGLE		100		2x theta
EMITTED COLOR:	YELLOW			
LENS FINISH:	YELLOW DIFFUSED			

LIMITS OF SAFE OPERATION AT 25°C				
PARAMETER		MAX		UNITS
PEAK FORWARD CURRENT*		150		mA
STEADY CURRENT		30		mA
POWER DISSIPATION		105		mW
DERATE FROM 25°C		-1.2		mW/°C
OPERATING TEMP.		-40 TO +85		°C
STORAGE TEMP.		-40 TO +85		°C
SOLDERING TEMP.		+260		°C
2.0mm FROM BODY		3		SEC.

* I<10μs



QUASARBRITE 4mm x 7mm RECT LED, 585nm YELLOW, YELLOW DIFFUSED.

THE SPECIFICATIONS MAY CHANGE AT ANY TIME WITHOUT NOTICE DUE TO NEW MATERIALS OR PRODUCT IMPROVEMENT

CONFIDENTIAL INFORMATION
 THE INFORMATION CONTAINED IN THIS DOCUMENT IS THE PROPERTY OF LUXEY INC. EXCEPT AS SPECIFICALLY AUTHORIZED IN WRITING BY LUXEY INC., THE HOLDER OF THIS DOCUMENT SHALL KEEP ALL INFORMATION CONTAINED HEREIN CONFIDENTIAL AND SHALL PROTECT SAME IN WHOLE OR IN PART FROM DISCLOSURE AND DISSEMINATION TO ALL THIRD PARTIES.

EN RD00
 80067-8976
 947.359.2790
 LUXEY.COM
 7/1W PHOTONICS GROUP

UNCONTROLLED DOCUMENT

DATE:	08.17.12	DRAWN BY:	AB
PAGE:	1 OF 1	CHKD BY:	KF
SCALE:	NTS	APRVD BY:	KF
UNIT:	mm [INCH]		

Looking for pricing, stock, or lifecycle information?

Click below to explore more details on WIN SOURCE:

- ⊖ [View SSL-LX4673YD-LA20 on WIN SOURCE](#)
- ⊖ [Lumex Opto/Components Inc. Information](#)

Optimize Your Supply Chain with WIN SOURCE Solutions

- ✓ Global Sourcing Solution
- ✓ Obsolete Management
- ✓ Cost Control Management
- ✓ Shortage Management
- ✓ Alternative Solution
- ✓ Excess Inventory Management