



**THE DATASHEET OF
CY62128BNLL-70SXA**



1-Mbit (128K x 8) Static RAM

Features

- **Temperature Ranges**
 - Commercial: 0°C to 70°C
 - Industrial: -40°C to 85°C
 - Automotive-A: -40°C to 85°C
 - Automotive-E: -40°C to 125°C
- **4.5V–5.5V operation**
- **CMOS for optimum speed/power**
- **Low active power**
(70 ns Commercial, Industrial, Automotive-A)
 - 82.5 mW (max.) (15 mA)
- **Low standby power**
(55/70 ns Commercial, Industrial, Automotive-A)
 - 110 μ W (max.) (15 μ A)
- **Automatic power-down when deselected**
- **TTL-compatible inputs and outputs**
- **Easy memory expansion with \overline{CE}_1 , CE_2 , and \overline{OE} options**
- **Available in Pb-free and non-Pb-free 32-pin (450 mil-wide) SOIC, 32-pin STSOP and 32-pin TSOP-I**

Functional Description^[1]

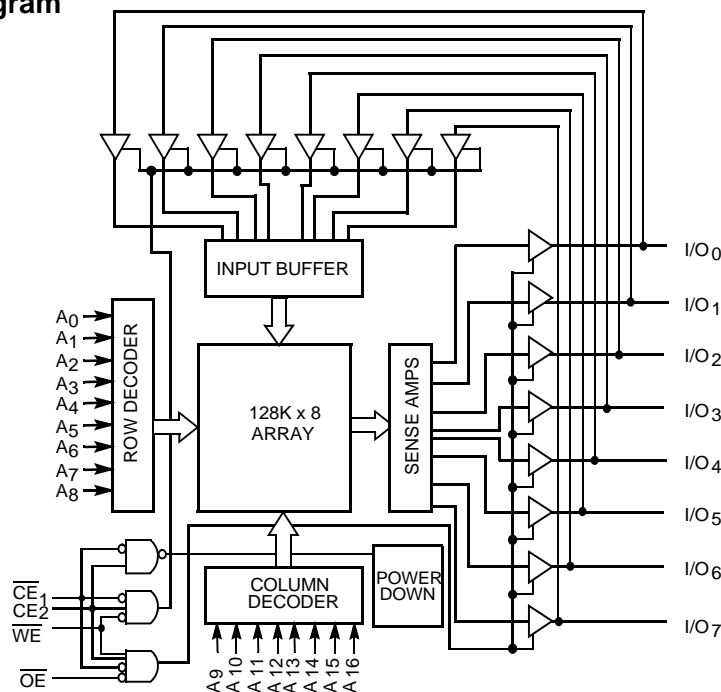
The CY62128BN is a high-performance CMOS static RAM organized as 128K words by 8 bits. Easy memory expansion is provided by an active LOW Chip Enable (\overline{CE}_1), an active HIGH Chip Enable (CE_2), an active LOW Output Enable (\overline{OE}), and tri-state drivers. This device has an automatic power-down feature that reduces power consumption by more than 75% when deselected.

Writing to the device is accomplished by taking Chip Enable One (\overline{CE}_1) and Write Enable (WE) inputs LOW and Chip Enable Two (CE_2) input HIGH. Data on the eight I/O pins (I/O₀ through I/O₇) is then written into the location specified on the address pins (A₀ through A₁₆).

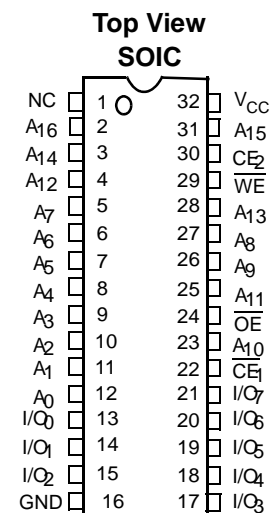
Reading from the device is accomplished by taking Chip Enable One (\overline{CE}_1) and Output Enable (\overline{OE}) LOW while forcing Write Enable (WE) and Chip Enable Two (CE_2) HIGH. Under these conditions, the contents of the memory location specified by the address pins will appear on the I/O pins.

The eight input/output pins (I/O₀ through I/O₇) are placed in a high-impedance state when the device is deselected (\overline{CE}_1 HIGH or CE_2 LOW), the outputs are disabled (\overline{OE} HIGH), or during a write operation (\overline{CE}_1 LOW, CE_2 HIGH, and WE LOW).

Logic Block Diagram



Pin Configuration



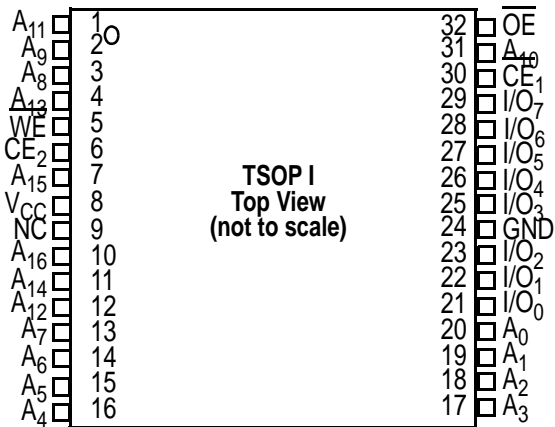
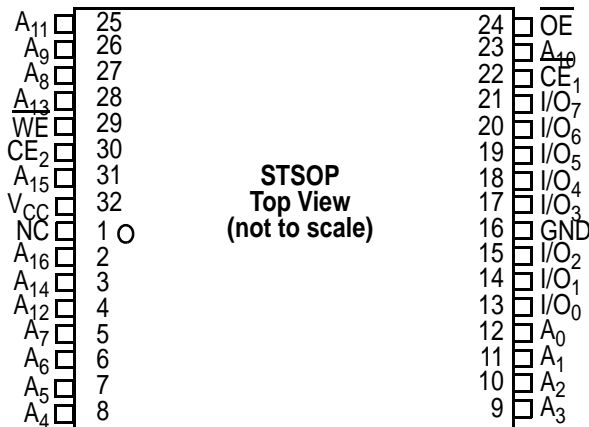
Note:

1. For best-practice recommendations, please refer to the Cypress application note "System Design Guidelines" on <http://www.cypress.com>.

Product Portfolio

Product		V _{CC} Range (V)			Speed (ns)	Power Dissipation			
		Min.	Typ. ^[2]	Max.		Operating, I _{CC} (mA)		Standby, I _{SB2} (μA)	
						Typ. ^[2]	Max.	Typ. ^[2]	Max.
CY62128BNLL	Commercial	4.5	5.0	5.5	55	7.5	20	2.5	15
					70	6	15	2.5	15
	Industrial				55	7.5	20	2.5	15
					70	6	15	2.5	15
	Automotive-A				70	6	15	2.5	15
	Automotive-E				70	6	25	2.5	25

Pin Configurations



Pin Definitions

Input	A ₀ –A ₁₆ . Address Inputs
Input/Output	I/O ₀ –I/O ₇ . Data lines. Used as input or output lines depending on operation
Input/Control	WE. Write Enable, Active LOW. When selected LOW, a WRITE is conducted. When selected HIGH, a READ is conducted.
Input/Control	CE ₁ . Chip Enable 1, Active LOW.
Input/Control	CE ₂ . Chip Enable 2, Active HIGH.
Input/Control	OE. Output Enable, Active LOW. Controls the direction of the I/O pins. When LOW, the I/O pins behave as outputs. When deasserted HIGH, I/O pins are tri-stated, and act as input data pins
Ground	GND. Ground for the device
Power Supply	V _{CC} . Power supply for the device

Note:

2. Typical values are included for reference only and are not tested or guaranteed. Typical values are an average of the distribution across normal production variations as measured at V_{CC} = 5.0V, T_A = 25 °C, and t_{AA} = 70 ns.

Maximum Ratings

(Above which the useful life may be impaired. For user guidelines, not tested.)

Storage Temperature-65°C to +150°C
 Ambient Temperature with Power Applied.....-55°C to +125°C
 Supply Voltage on V_{CC} to Relative GND^[3] -0.5V to +7.0V
 DC Voltage Applied to Outputs in High-Z State^[3]-0.5V to V_{CC} + 0.5V
 DC Input Voltage^[3].....-0.5V to V_{CC} + 0.5V
 Current into Outputs (LOW)20 mA

Static Discharge Voltage..... > 2001V (per MIL-STD-883, Method 3015)

Latch-up Current..... > 200 mA

Operating Range

Range	Ambient Temperature (T _A) ^[4]	V _{CC}
Commercial	0°C to +70°C	5V ± 10%
Industrial	-40°C to +85°C	
Automotive-A	-40°C to +85°C	
Automotive-E	-40°C to +125°C	

Electrical Characteristics Over the Operating Range

Parameter	Description	Test Conditions	-55			-70			Unit	
			Min.	Typ. ^[2]	Max.	Min.	Typ. ^[2]	Max.		
V _{OH}	Output HIGH Voltage	V _{CC} = Min., I _{OH} = -1.0 mA	2.4			2.4			V	
V _{OL}	Output LOW Voltage	V _{CC} = Min., I _{OL} = 2.1 mA			0.4			0.4	V	
V _{IH}	Input HIGH Voltage		2.2		V _{CC} + 0.3	2.2		V _{CC} + 0.3	V	
V _{IL}	Input LOW Voltage ^[3]		-0.3		0.8	-0.3		0.8	V	
I _{IX}	Input Leakage Current	GND ≤ V _I ≤ V _{CC}	Commercial/Industrial	-1		+1	-1		+1	μA
			Automotive-A				-1		+1	μA
			Automotive-E				-10		+10	μA
I _{OZ}	Output Leakage Current	GND ≤ V _I ≤ V _{CC} , Output Disabled	Commercial/Industrial	-1		+1	-1		+1	μA
			Automotive-A				-1		+1	μA
			Automotive-E				-10		+10	μA
I _{CC}	V _{CC} Operating Supply Current	V _{CC} = Max., I _{OUT} = 0 mA, f = f _{MAX} = 1/t _{RC}	Commercial/Industrial		7.5	20		6	15	mA
			Automotive-A					6	15	mA
			Automotive-E					6	25	mA
I _{SB1}	Automatic CE Power-down Current —TTL Inputs	Max. V _{CC} , CE ₁ ≥ V _{IH} or CE ₂ ≤ V _{IL} , V _{IN} ≥ V _{IH} or V _{IN} ≤ V _{IL} , f = f _{MAX}	Commercial/Industrial		0.1	2		0.1	1	mA
			Automotive-A					0.1	1	mA
			Automotive-E					0.1	2	mA
I _{SB2}	Automatic CE Power-down Current —CMOS Inputs	Max. V _{CC} , CE ₁ ≥ V _{CC} - 0.3V, or CE ₂ ≤ 0.3V, V _{IN} ≥ V _{CC} - 0.3V, or V _{IN} ≤ 0.3V, f = 0	Commercial/Industrial		2.5	15		2.5	15	μA
			Automotive-A					2.5	15	μA
			Automotive-E					2.5	25	μA

Notes:

- 3. V_{IL} (min.) = -2.0V for pulse durations of less than 20 ns.
- 4. T_A is the "Instant On" case temperature.

NOT RECOMMENDED FOR NEW DESIGNS. ONE OR MORE ORDERABLE PARTS ASSOCIATED WITH THIS DOCUMENT IS OBSOLETE. FOR REPLACEMENT PART INQUIRIES, PLEASE CONTACT YOUR LOCAL SALES REPRESENTATIVE

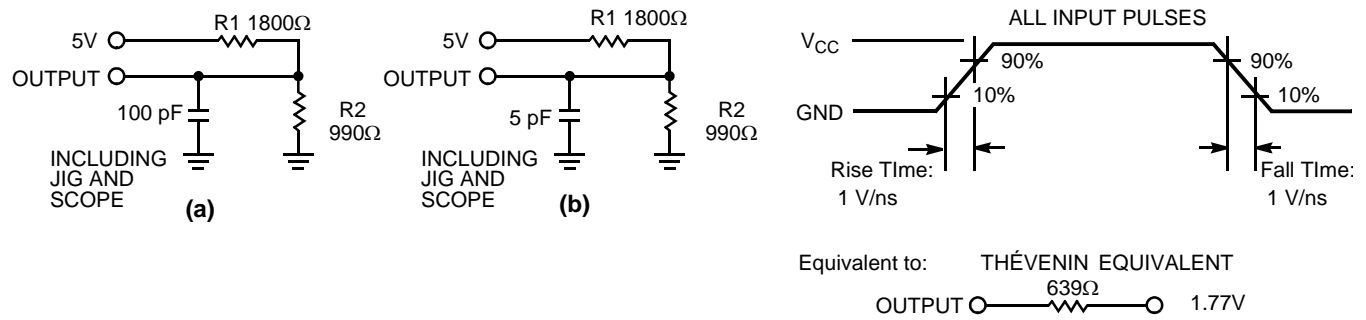
Capacitance^[5]

Parameter	Description	Test Conditions	Max.	Unit
C _{IN}	Input Capacitance	T _A = 25°C, f = 1 MHz, V _{CC} = 5.0V	9	pF
C _{OUT}	Output Capacitance		9	pF

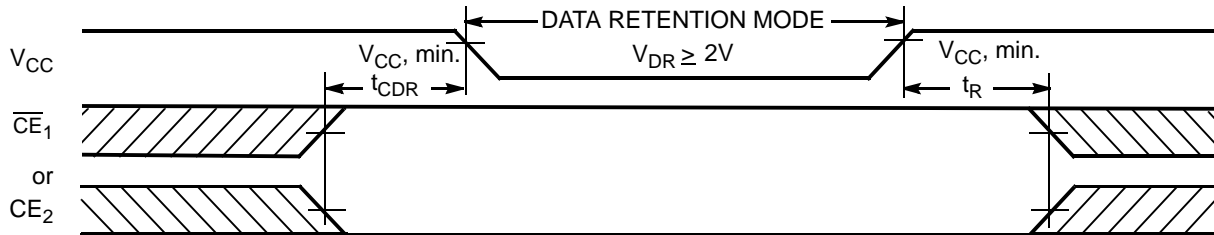
Thermal Resistance^[5]

Parameter	Description	Test Conditions	32 SOIC	32 STSOP	32 TSOP	Unit
Θ _{JA}	Thermal Resistance (Junction to Ambient)	Test conditions follow standard test methods and procedures for measuring thermal impedance, per EIA / JESD51.	66.17	105.14	97.44	°C/W
Θ _{JC}	Thermal Resistance (Junction to Case)		30.87	14.09	26.05	°C/W

AC Test Loads and Waveforms



Data Retention Waveform



Data Retention Characteristics (Over the Operating Range)

Parameter	Description	Conditions ^[6]	Min.	Typ.	Max.	Unit
V _{DR}	V _{CC} for Data Retention		2.0			V
I _{CCDR}	Data Retention Current	V _{CC} = V _{DR} = 2.0V, CE ₁ ≥ V _{CC} - 0.3V, or CE ₂ ≤ 0.3V, V _{IN} ≥ V _{CC} - 0.3V or, V _{IN} ≤ 0.3V	Commercial/ Industrial Automotive-A	1.5	15	μA
			Automotive-E	1.5	25	μA
t _{CDR}	Chip Deselect to Data Retention Time		0			ns
t _R	Operation Recovery Time		70			ns

Note:

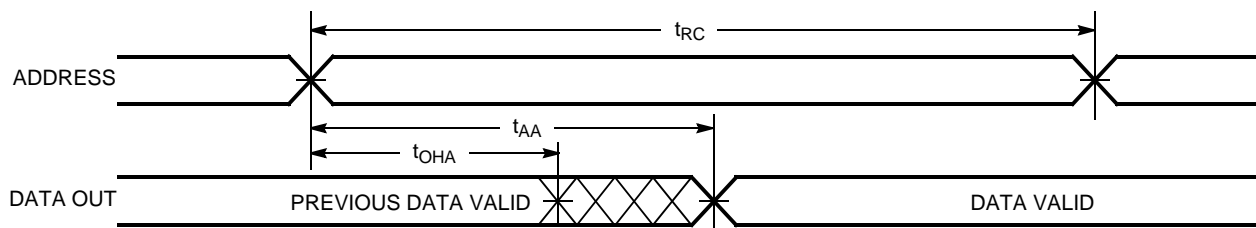
- 5. Tested initially and after any design or process changes that may affect these parameters.
- 6. No input may exceed V_{CC} + 0.5V.

Switching Characteristics^[7] Over the Operating Range

Parameter	Description	CY62128BN-55		CY62128BN-70		Unit
		Min.	Max.	Min.	Max.	
READ CYCLE						
t_{RC}	Read Cycle Time	55		70		ns
t_{AA}	Address to Data Valid		55		70	ns
t_{OHA}	Data Hold from Address Change	5		5		ns
t_{ACE}	\overline{CE}_1 LOW to Data Valid, CE_2 HIGH to Data Valid		55		70	ns
t_{DOE}	\overline{OE} LOW to Data Valid		20		35	ns
t_{LZOE}	\overline{OE} LOW to Low Z	0		0		ns
t_{HZOE}	\overline{OE} HIGH to High Z ^[7, 9]		20		25	ns
t_{LZCE}	\overline{CE}_1 LOW to Low Z, CE_2 HIGH to Low Z ^[9]	5		5		ns
t_{HZCE}	\overline{CE}_1 HIGH to High Z, CE_2 LOW to High Z ^[8, 9]		20		25	ns
t_{PU}	\overline{CE}_1 LOW to Power-up, CE_2 HIGH to Power-up	0		0		ns
t_{PD}	\overline{CE}_1 HIGH to Power-down, CE_2 LOW to Power-down		55		70	ns
WRITE CYCLE^[10]						
t_{WC}	Write Cycle Time	55		70		ns
t_{SCE}	\overline{CE}_1 LOW to Write End, CE_2 HIGH to Write End	45		60		ns
t_{AW}	Address Set-up to Write End	45		60		ns
t_{HA}	Address Hold from Write End	0		0		ns
t_{SA}	Address Set-up to Write Start	0		0		ns
t_{PWE}	\overline{WE} Pulse Width	45		50		ns
t_{SD}	Data Set-up to Write End	25		30		ns
t_{HD}	Data Hold from Write End	0		0		ns
t_{LZWE}	\overline{WE} HIGH to Low Z ^[9]	5		5		ns
t_{HZWE}	\overline{WE} LOW to High Z ^[8, 9]		20		25	ns

Switching Waveforms

Read Cycle No.1^[11, 12]



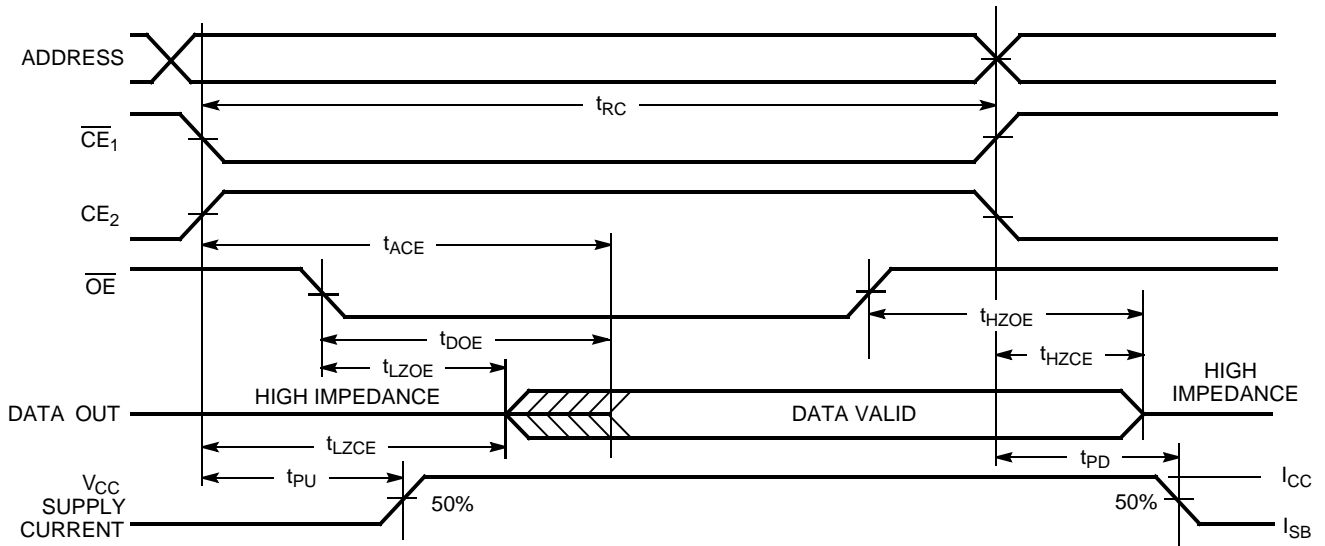
Notes:

- Test conditions assume signal transition time of 5 ns or less, timing reference levels of 1.5V, input pulse levels of 0 to 3.0V, and output loading of the specified I_{OL}/I_{OH} and 100-pF load capacitance.
- t_{HZOE} , t_{HZCE} , and t_{HZWE} are specified with a load capacitance of 5 pF as in (b) of AC Test Loads. Transition is measured ± 500 mV from steady-state voltage.
- At any given temperature and voltage condition, t_{HZCE} is less than t_{LZCE} , t_{HZOE} is less than t_{LZOE} , and t_{HZWE} is less than t_{LZWE} for any given device.
- The internal write time of the memory is defined by the overlap of \overline{CE}_1 LOW, CE_2 HIGH, and \overline{WE} LOW. \overline{CE}_1 and \overline{WE} must be LOW and CE_2 HIGH to initiate a write, and the transition of any of these signals can terminate the write. The input data set-up and hold timing should be referenced to the leading edge of the signal that terminates the write.
- Device is continuously selected. \overline{OE} , $\overline{CE}_1 = V_{IL}$, $CE_2 = V_{IH}$.
- \overline{WE} is HIGH for read cycle.

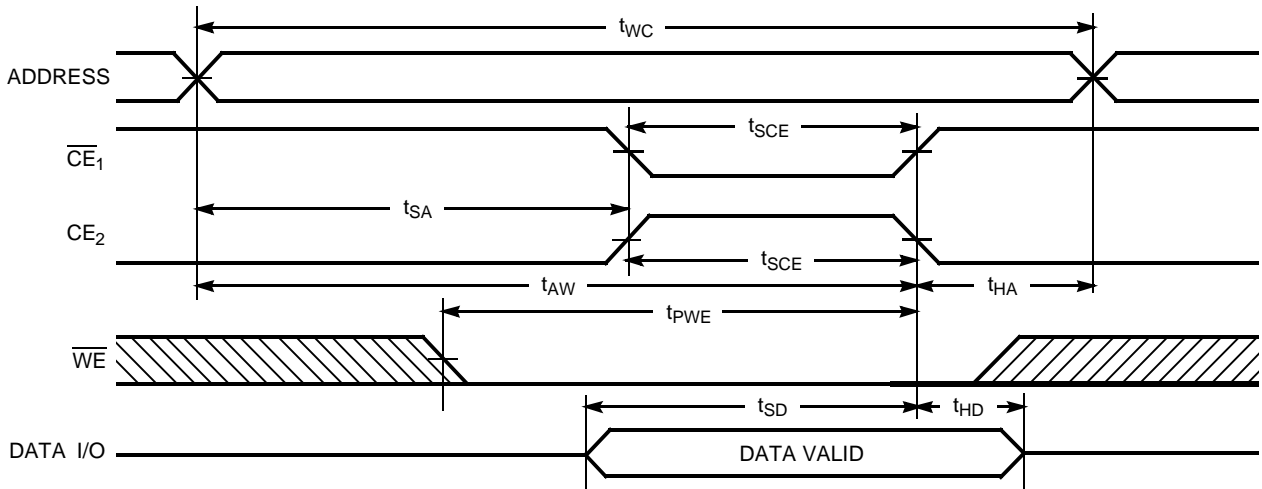
NOT RECOMMENDED FOR NEW DESIGNS. ONE OR MORE ORDERABLE PARTS ASSOCIATED WITH THIS DOCUMENT IS OBSOLETE. FOR REPLACEMENT PART INQUIRIES, PLEASE CONTACT YOUR LOCAL SALES REPRESENTATIVE

Switching Waveforms (continued)

Read Cycle No. 2 (\overline{OE} Controlled)^[12, 13]



Write Cycle No. 1 (\overline{CE}_1 or CE_2 Controlled)^[14, 15]



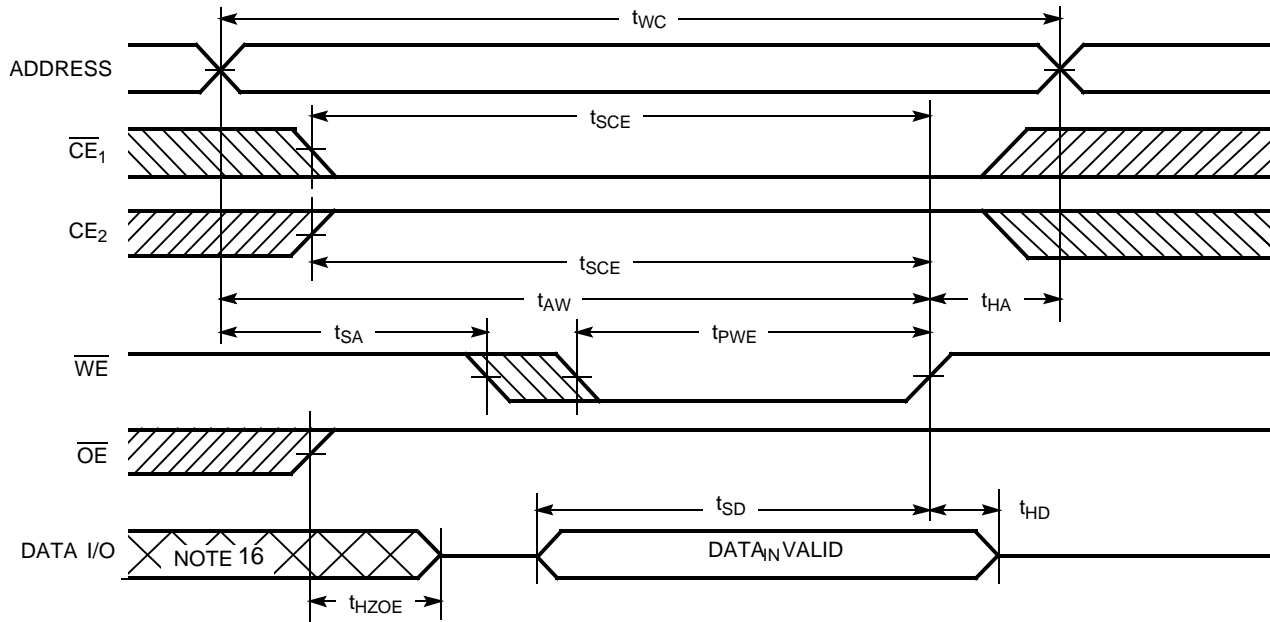
Notes:

- 13. Address valid prior to or coincident with \overline{CE}_1 transition LOW and CE_2 transition HIGH.
- 14. Data I/O is high impedance if $OE = V_{IH}$.
- 15. If \overline{CE}_1 goes HIGH or CE_2 goes LOW simultaneously with \overline{WE} going HIGH, the output remains in a high-impedance state.

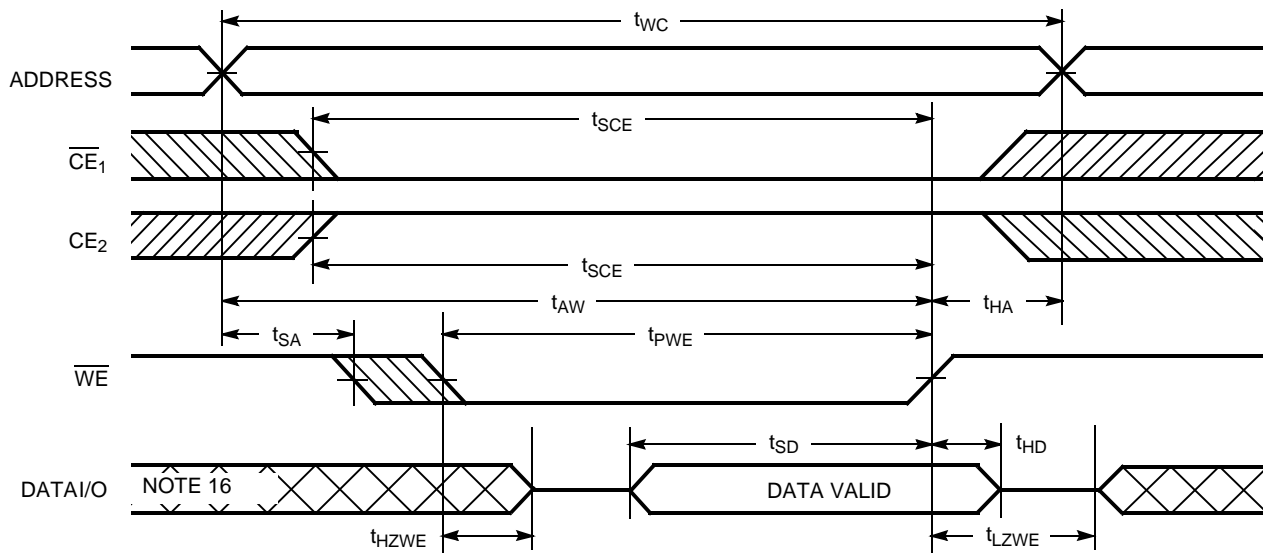
NOT RECOMMENDED FOR NEW DESIGNS. ONE OR MORE ORDERABLE PARTS ASSOCIATED WITH THIS DOCUMENT IS OBSOLETE. FOR REPLACEMENT PART INQUIRIES, PLEASE CONTACT YOUR LOCAL SALES REPRESENTATIVE

Switching Waveforms (continued)

Write Cycle No. 2 (\overline{WE} Controlled, \overline{OE} HIGH During Write)^[14, 15]



Write Cycle No.3 (\overline{WE} Controlled, \overline{OE} LOW)^[14, 15]



Note:
16. During this period the I/Os are in the output state and input signals should not be applied.

NOT RECOMMENDED FOR NEW DESIGNS. ONE OR MORE ORDERABLE PARTS ASSOCIATED WITH THIS DOCUMENT IS OBSOLETE. FOR REPLACEMENT PART INQUIRIES, PLEASE CONTACT YOUR LOCAL SALES REPRESENTATIVE

Truth Table

\overline{CE}_1	\overline{CE}_2	\overline{OE}	\overline{WE}	I/O ₀ -I/O ₇	Mode	Power
H	X	X	X	High Z	Power-down	Standby (I _{SB})
X	L	X	X	High Z	Power-down	Standby (I _{SB})
L	H	L	H	Data Out	Read	Active (I _{CC})
L	H	X	L	Data In	Write	Active (I _{CC})
L	H	H	H	High Z	Selected, Outputs Disabled	Active (I _{CC})

Ordering Information

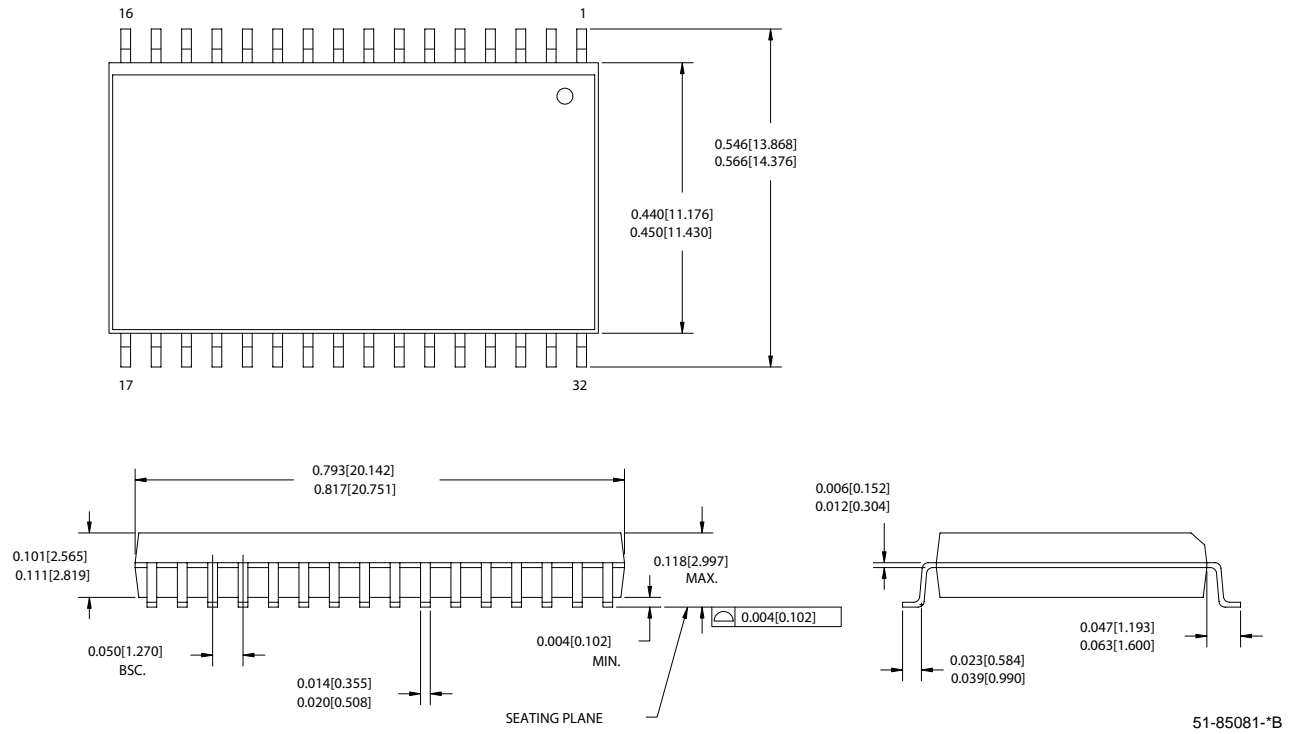
Speed (ns)	Ordering Code	Package Diagram	Package Type	Operating Range
55	CY62128BNLL-55SC	51-85081	32-pin 450-Mil SOIC	Commercial
	CY62128BNLL-55SXC		32-pin 450-Mil SOIC (Pb-Free)	
	CY62128BNLL-55SI		32-pin 450-Mil SOIC	Industrial
	CY62128BNLL-55SXI		32-pin 450-Mil SOIC (Pb-Free)	
	CY62128BNLL-55ZAI	51-85094	32-pin STSOP	
	CY62128BNLL-55ZAXI	32-pin STSOP (Pb-Free)		
	CY62128BNLL-55ZI	51-85056	32-pin TSOP Type I	
	CY62128BNLL-55ZXI		32-pin TSOP Type I (Pb-Free)	
70	CY62128BNLL-70SC	51-85081	32-pin 450-Mil SOIC	Commercial
	CY62128BNLL-70SXC		32-pin 450-Mil SOIC (Pb-Free)	
	CY62128BNLL-70ZC	51-85056	32-pin TSOP Type I	
	CY62128BNLL-70ZXC		32-pin TSOP Type I (Pb-Free)	
	CY62128BNLL-70SI	51-85081	32-pin 450-Mil SOIC	Industrial
	CY62128BNLL-70SXI		32-pin 450-Mil SOIC (Pb-Free)	
	CY62128BNLL-70ZAI	51-85094	32-pin STSOP	
	CY62128BNLL-70ZAXI		32-pin STSOP (Pb-Free)	
	CY62128BNLL-70ZI	51-85056	32-pin TSOP Type I	
	CY62128BNLL-70ZXI		32-pin TSOP Type I (Pb-Free)	
	CY62128BNLL-70ZXA	51-85056	32-pin TSOP Type I (Pb-Free)	Automotive-A
	CY62128BNLL-70SXA	51-85081	32-pin 450-Mil SOIC (Pb-Free)	
	CY62128BNLL-70SXE	51-85081	32-pin 450-Mil SOIC (Pb-Free)	Automotive-E
	CY62128BNLL-70ZAXE	51-85094	32-pin STSOP (Pb-Free)	

Please contact your local Cypress sales representative for availability of these parts

NOT RECOMMENDED FOR NEW DESIGNS. ONE OR MORE ORDERABLE PARTS ASSOCIATED WITH THIS DOCUMENT IS OBSOLETE. FOR REPLACEMENT PART INQUIRIES, PLEASE CONTACT YOUR LOCAL SALES REPRESENTATIVE

Package Diagrams

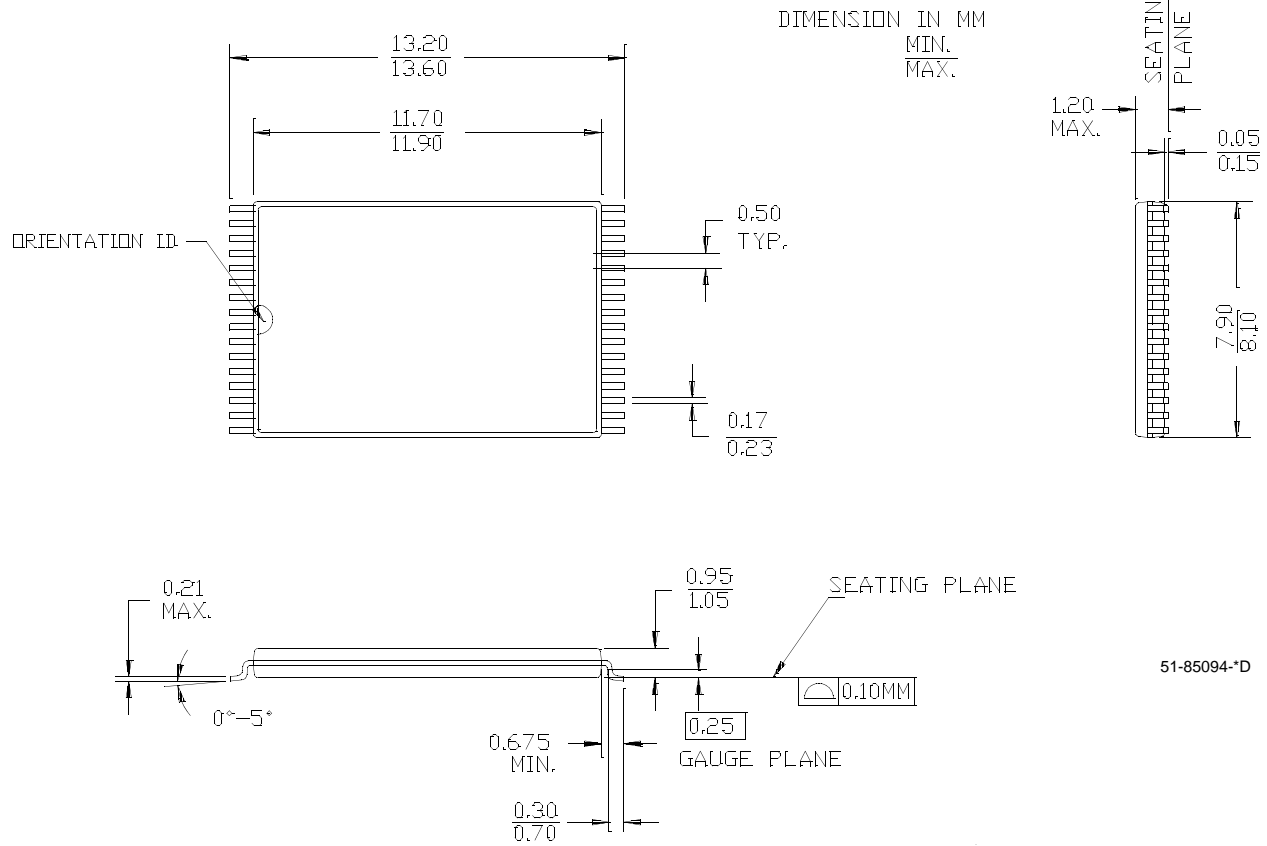
32-pin (450 Mil) Molded SOIC (51-85081)



NOT RECOMMENDED FOR NEW DESIGNS.
ONE OR MORE ORDERABLE PARTS ASSOCIATED WITH THIS DOCUMENT IS OBSOLETE.
FOR REPLACEMENT PART INQUIRIES, PLEASE CONTACT YOUR LOCAL SALES REPRESENTATIVE

Package Diagrams (continued)

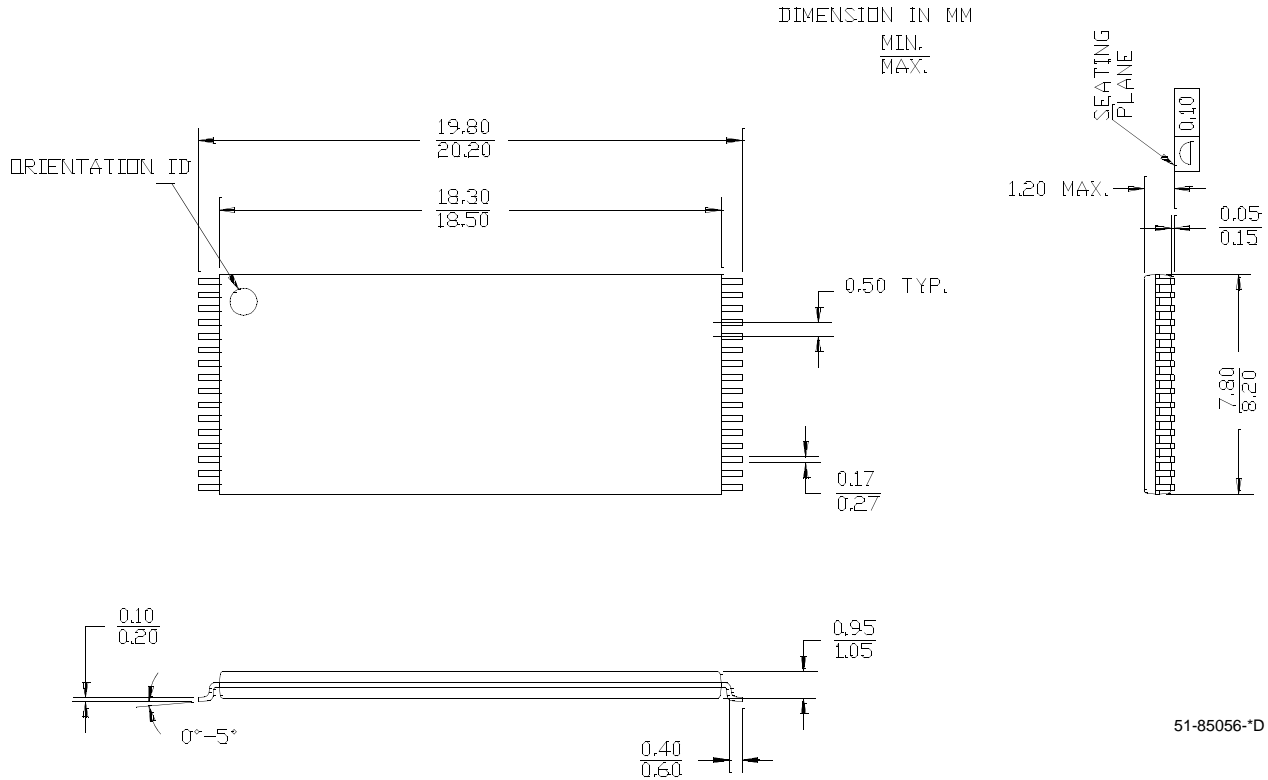
32-pin STSOP (8 x 13.4 mm) (51-85094)



NOT RECOMMENDED FOR NEW DESIGNS. ONE OR MORE ORDERABLE PARTS ASSOCIATED WITH THIS DOCUMENT IS OBSOLETE. FOR REPLACEMENT PART INQUIRIES, PLEASE CONTACT YOUR LOCAL SALES REPRESENTATIVE

Package Diagrams (continued)

32-pin TSOP Type I (8 x 20 mm) (51-85056)



All product and company names mentioned in this document are the trademarks of their respective holders.

NOT RECOMMENDED FOR NEW DESIGNS. ONE OR MORE ORDERABLE PARTS ASSOCIATED WITH THIS DOCUMENT IS OBSOLETE. FOR REPLACEMENT PART INQUIRIES, PLEASE CONTACT YOUR LOCAL SALES REPRESENTATIVE



Document History Page

Document Title: CY62128BN MoBL® 1-Mbit (128K x 8) Static RAM Document Number: 001-06498				
REV.	ECN NO.	Issue Date	Orig. of Change	Description of Change
**	426503	See ECN	NXR	New Data Sheet
*A	488954	See ECN	NXR	Added Automotive product Removed RTSOP Package Updated ordering Information table

**NOT RECOMMENDED FOR NEW DESIGNS.
 ONE OR MORE ORDERABLE PARTS ASSOCIATED WITH THIS DOCUMENT IS OBSOLETE.
 FOR REPLACEMENT PART INQUIRIES, PLEASE CONTACT YOUR LOCAL SALES REPRESENTATIVE**

Looking for pricing, stock, or lifecycle information?

Click below to explore more details on WIN SOURCE:

-  [View CY62128BNLL-70SXA on WIN SOURCE](#)
-  [Cypress Semiconductor Corp Information](#)

Optimize Your Supply Chain with WIN SOURCE Solutions

-  Global Sourcing Solution
-  Obsolete Management
-  Cost Control Management
-  Shortage Management
-  Alternative Solution
-  Excess Inventory Management