



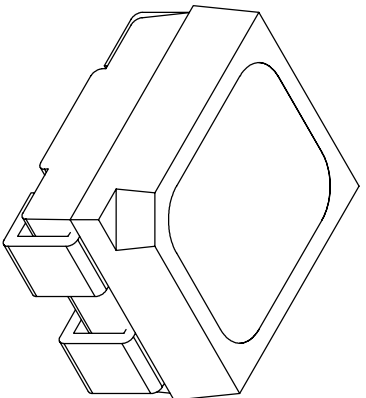
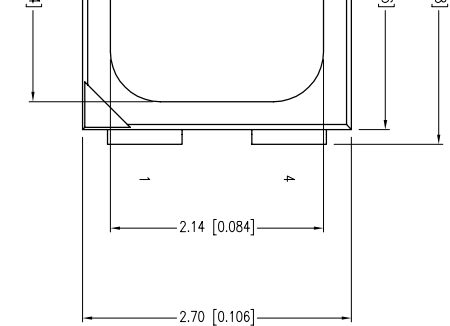
**THE DATASHEET OF
SML-LX2835YGC-TR**



PART NUMBER

SML-LX2835YGC-TR

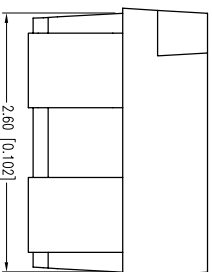
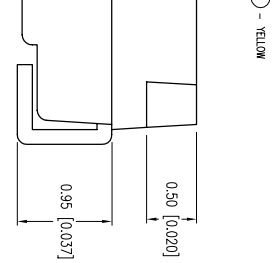
REV.



ELECTRO-OPTICAL CHARACTERISTICS $I_A=25^\circ\text{C}$				
PARAMETER	MIN	MAX	UNITS	TEST COND
PEAK WAVELENGTH	585		nm	
	565		nm	
FORWARD VOLTAGE (V/G)	2.1/2.2	2.5/2.6	V _f	$I_f=100\mu\text{A}$
REVERSE VOLTAGE	5.0		V _r	$I_f=20\text{mA}$
AxIAL INTENSITY (V/G)	15/25		med	
VIEWING ANGLE	120		2x theta	
EMITTED COLOR:	YELLOW/GREEN			
EPOXY LENS FINISH:	WATER CLEAR LENS			

LIMITS OF SAFE OPERATION AT 25°C PER CHIP

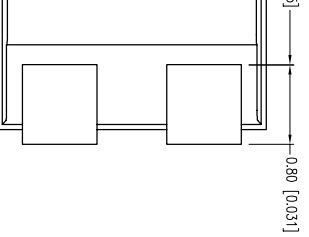
PARAMETER	MAX	UNITS
PEAK FORWARD CURRENT*	160	mA
STEADY CURRENT (V/G)	30/25	mA
POWER DISSIPATION	100	mW
DERATE FROM 25°C	-1.2	mW/°C
OPERATING TEMP.:	-40 TO +85	°C
STORAGE TEMP.:	-40 TO +85	°C
SOLDERING TEMP.:	+260	°C
2.0mm FROM BODY	3	SEC. MAX
* I_C=10A5		



NOTES:

1. THE POLARITY MARK IS ORIENTED TOWARDS THE TAPE SPOCKET HOLE.
2. 2,000 PER REEL.

CAUTION: MOISTURE SENSITIVE DEVICE
PER JEDEC LEVEL 2 STANDARDS



HELEN ROAD
E. I. L 60067-6976
+1.847.359.2790
WWW.LUMEX.COM

2.8mm x 3.2mm SML /W REFLECTOR CUP, DUAL CHIP, 585nm/565nm LED, WATER CLEAR LENS, 2k PER REEL.

THE SPECIFICATIONS MAY CHANGE AT ANY TIME WITHOUT NOTICE DUE TO NEW MATERIALS OR PRODUCT IMPROVEMENT

CONFIDENTIAL INFORMATION
THE INFORMATION CONTAINED IN THIS DOCUMENT IS THE PROPERTY OF LUMEX INC. EXCEPT AS SPECIFICALLY AUTHORIZED IN WRITING BY LUMEX INC., THE HOLDER OF THIS DOCUMENT SHALL KEEP ALL INFORMATION CONTAINED HEREIN CONFIDENTIAL AND SHALL PROTECT SAME IN WHOLE OR IN PART FROM DISCLOSURE AND DISSEMINATION TO ALL THIRD PARTIES.

DATE: 02.3.11 DRAWN BY: AB
PAGE: 1 OF 2 CHKD BY: KF
SCALE: NTS APRVD BY: JD
UNIT: mm [INCH]

UNCONTROLLED DOCUMENT



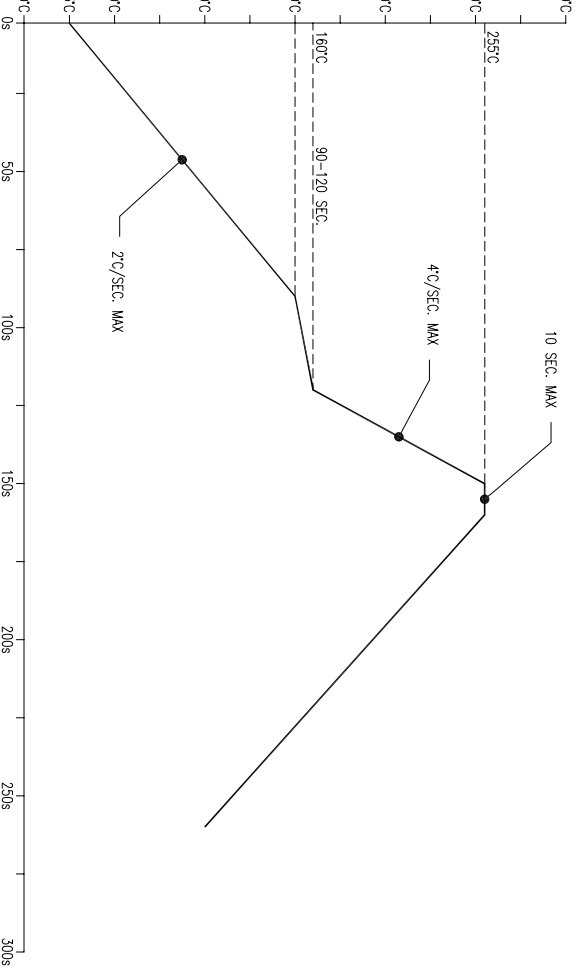
PART NUMBER

SML-LX2835YGC-TR

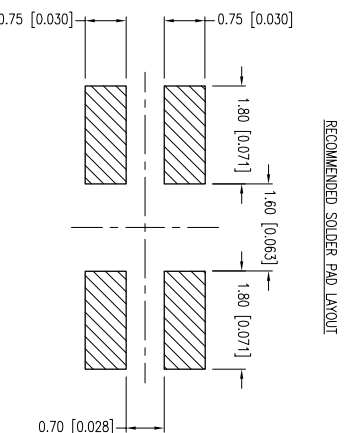
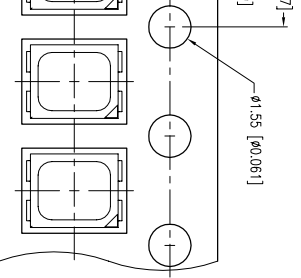
REV.

--

LEAD FREE REFLOW PROFILE



TOTAL TIME ABOVE 220°C IS 60 SECONDS MAX.



RECOMMENDED SOLDER PAD LAYOUT

X±1 (+0.039), X-X±0.5 (+0.020), XXX±0.25 (+0.010), XXXX±0.127 (+0.005), LEAD SIZE±0.05 (+0.002), LEAD LENGTH±0.75 (+0.030), MIN=^{+0.00}_{-0.00} DECIMAL PRECISION, UNCONTROLLED DOCUMENT

HELEN ROAD
 E. I. 60067-6976
 +1.847.359.2790
 1.847.359.6538
 WWW.LUXEMX.COM

2.8mm x 3.2mm SML /W REFLECTOR CUP, DUAL CHIP, 585nm/565nm LED, WATER CLEAR LENS, 2K PER REEL.

THE SPECIFICATIONS MAY CHANGE AT ANY TIME WITHOUT NOTICE DUE TO NEW MATERIALS OR PRODUCT IMPROVEMENT


CONFIDENTIAL INFORMATION
 THE INFORMATION CONTAINED IN THIS DOCUMENT IS THE PROPERTY OF LUXEM INC. EXCEPT AS SPECIFICALLY AUTHORIZED IN WRITING BY LUXEM INC., THE HOLDER OF THIS DOCUMENT SHALL KEEP ALL INFORMATION CONTAINED HEREIN CONFIDENTIAL AND SHALL PROTECT SAME IN WHOLE OR IN PART FROM DISCLOSURE AND DISSEMINATION TO ALL THIRD PARTIES.

DATE:	02.3.11	DRAWN BY:	AB
PAGE:	2 OF 2	CHKD BY:	KF
SCALE:	NTS	APRVD BY:	JD
UNIT:	mm [INCH]		



Looking for pricing, stock, or lifecycle information?

Click below to explore more details on WIN SOURCE:

-  [View SML-LX2835YGC-TR on WIN SOURCE](#)
-  [Lumex Opto/Components Inc. Information](#)

Optimize Your Supply Chain with WIN SOURCE Solutions

-  Global Sourcing Solution
-  Obsolete Management
-  Cost Control Management
-  Shortage Management
-  Alternative Solution
-  Excess Inventory Management