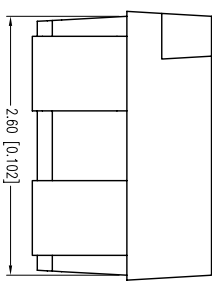
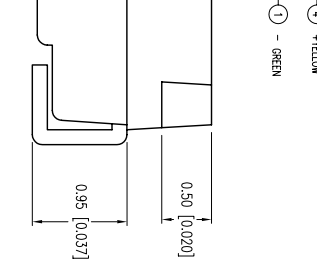
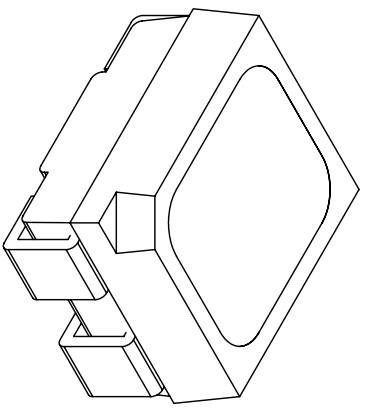
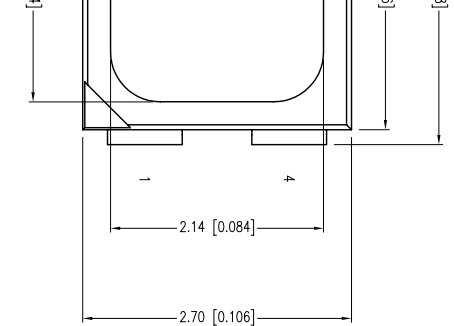




**THE DATASHEET OF  
SML-LX2835GYC-TR**



PART NUMBER	SML-LX2835GYC-TR	REV.	A
DATE	E.C.N. NUMBER AND REVISION COMMENTS	REV.	
1.18.12	E.C.N. #11798.	REV.	A



ELECTRO-OPTICAL CHARACTERISTICS  $I_A=25^\circ\text{C}$

PARAMETER	MIN	TYP	MAX	UNITS	TEST COND
PEAK WAVELENGTH (G/Y)	570/585	2.0	2.40	nm	
FORWARD VOLTAGE				V <sub>f</sub>	I <sub>f</sub> =100uA
REVERSE VOLTAGE	5.0			V <sub>r</sub>	I <sub>f</sub> =20mA
AXIAL INTENSITY (G/Y)		15/25		med	
VIEWING ANGLE		120		2x theta	
EMITTED COLOR:		GREEN/YELLOW			
EPOXY LENS FINISH:		WATER CLEAR LENS			

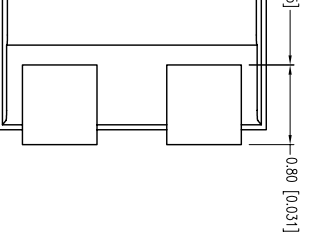
LIMITS OF SAFE OPERATION AT 25°C PER CHIP

PARAMETER	MAX	UNITS
PEAK FORWARD CURRENT*	60	mA
STEADY CURRENT	30	mA
POWER DISSIPATION	100	mW
DERATE FROM 25°C	-1.2	mW/°C
OPERATING TEMP.	-40 TO +85	°C
STORAGE TEMP.	-40 TO +85	°C

\* I<100uS

- NOTES:
1. THE POLARITY MARK IS ORIENTED TOWARDS THE TAPE SPROCKET HOLE.
  2. Z1000 PER REEL.

CAUTION: MOISTURE SENSITIVE DEVICE  
PER JEDEC LEVEL 2 STANDARDS



X±1 (+0.039), X-X±0.5 (+0.020), XX±0.25 (+0.010), XXX±0.127 (+0.005), LEAD SIZE±0.05 (+0.002), LEAD LENGTH±0.75 (+0.030), MIN±0.001 DEGREE PRECISION MAX±0.001 DEGREE PRECISION

HELEN ROAD  
E. I. 60067-6976  
+1.847.359.2790  
WWW.LUXEY.COM

2.7mm x 3.2mm SFC MNT W/REFLECTOR CUP, DUAL CHIP, 570nm GREEN, 585nm YELLOW, WATER CLEAR.

CONFIDENTIAL INFORMATION  
\*\*THE SPECIFICATIONS MAY CHANGE AT ANY TIME WITHOUT NOTICE DUE TO NEW MATERIALS OR PRODUCT IMPROVEMENT\*\*

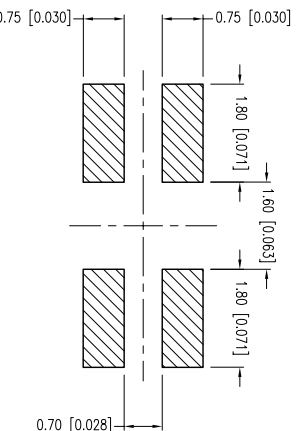
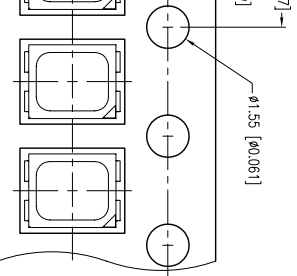
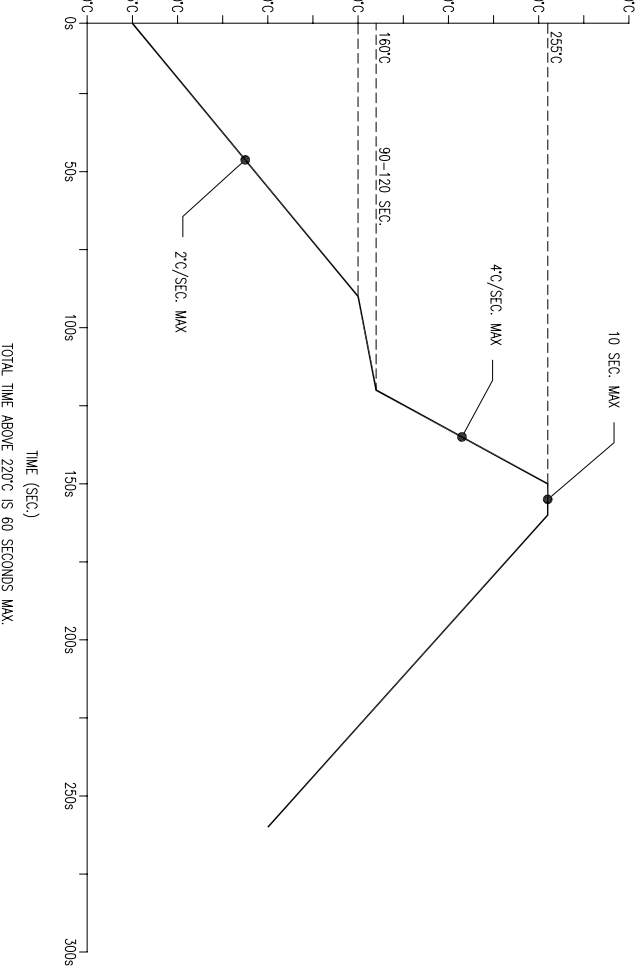
UNCONTROLLED DOCUMENT

DATE:	02.03.11	DRAWN BY:	AB
PAGE:	1 OF 2	CHKD BY:	KF
SCALE:	NTS	APRVD BY:	SS
UNIT:	mm [INCH]		

THE INFORMATION CONTAINED IN THIS DOCUMENT IS THE PROPERTY OF LUXEY INC. EXCEPT AS SPECIFICALLY AUTHORIZED IN WRITING BY LUXEY INC., THE HOLDER OF THIS DOCUMENT SHALL KEEP ALL INFORMATION CONTAINED HEREIN CONFIDENTIAL AND SHALL PROTECT SAME IN WHOLE OR IN PART FROM DISCLOSURE AND DISSEMINATION TO ALL THIRD PARTIES.

PART NUMBER	SML-LX2835GYC-TR		REV.	A
DATE	E.C.N. NUMBER AND REVISION COMMENTS		REV.	
1.18.12	E.C.N. #11798.		REV.	A

LEAD FREE REFLOW PROFILE



RECOMMENDED SOLDER PAD LAYOUT

X±1 (+0.039), X-X±0.5 (+0.020), X-XX±0.25 (+0.010), X-XXX±0.127 (+0.005), LEAD SIZE=±0.05 (+0.002), LEAD LENGTH=±0.75 (+0.030), MIN= -0.00 -DECIMAL PRECISION MAX.= +0.00 -DECIMAL PRECISION

HELEN ROAD  
E. I. L 60067-6976  
+1.847.359.2790  
1.847.359.6538  
WWW.LUMEX.COM

2.7mm x 3.2mm SFC MNT W/REFLECTOR CUP, DUAL CHIP, 570nm GREEN, 585nm YELLOW, WATER CLEAR.

\*\*THE SPECIFICATIONS MAY CHANGE AT ANY TIME WITHOUT NOTICE DUE TO NEW MATERIALS OR PRODUCT IMPROVEMENT\*\*

CONFIDENTIAL INFORMATION  
THE INFORMATION CONTAINED IN THIS DOCUMENT IS THE PROPERTY OF LUMEX INC. EXCEPT AS SPECIFICALLY AUTHORIZED IN WRITING BY LUMEX INC., THE HOLDER OF THIS DOCUMENT SHALL KEEP ALL INFORMATION CONTAINED HEREIN CONFIDENTIAL AND SHALL PROTECT SAME IN WHOLE OR IN PART FROM DISCLOSURE AND DISSEMINATION TO ALL THIRD PARTIES.

UNCONTROLLED DOCUMENT

DATE:	02.03.11	DRAWN BY:	AB
PAGE:	2 OF 2	CHKD BY:	KF
SCALE:	NTS	APRVD BY:	SS
UNIT:	mm [INCH]		



## Looking for pricing, stock, or lifecycle information?

Click below to explore more details on WIN SOURCE:

-  [View SML-LX2835GYC-TR on WIN SOURCE](#)
-  [Lumex Opto/Components Inc. Information](#)

## Optimize Your Supply Chain with WIN SOURCE Solutions

-  Global Sourcing Solution
-  Obsolete Management
-  Cost Control Management
-  Shortage Management
-  Alternative Solution
-  Excess Inventory Management