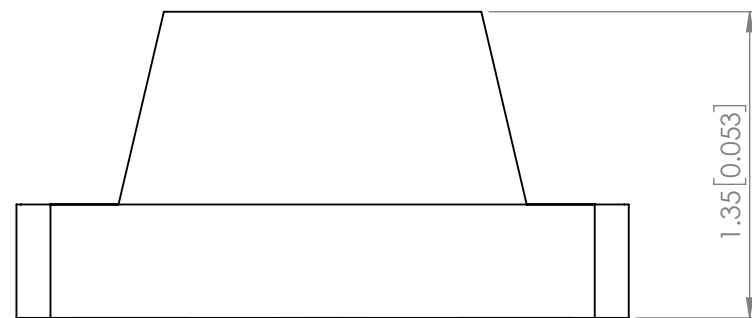
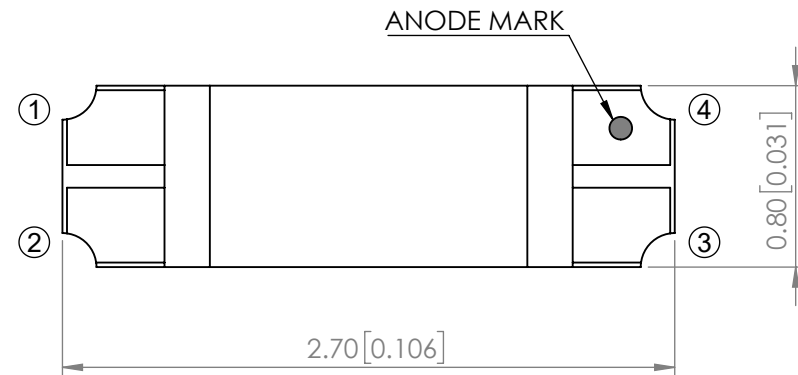




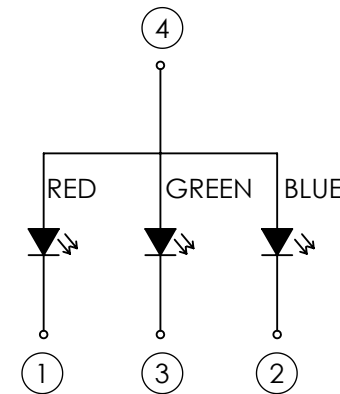
**THE DATASHEET OF  
SML-LXR1003RGBC-05**



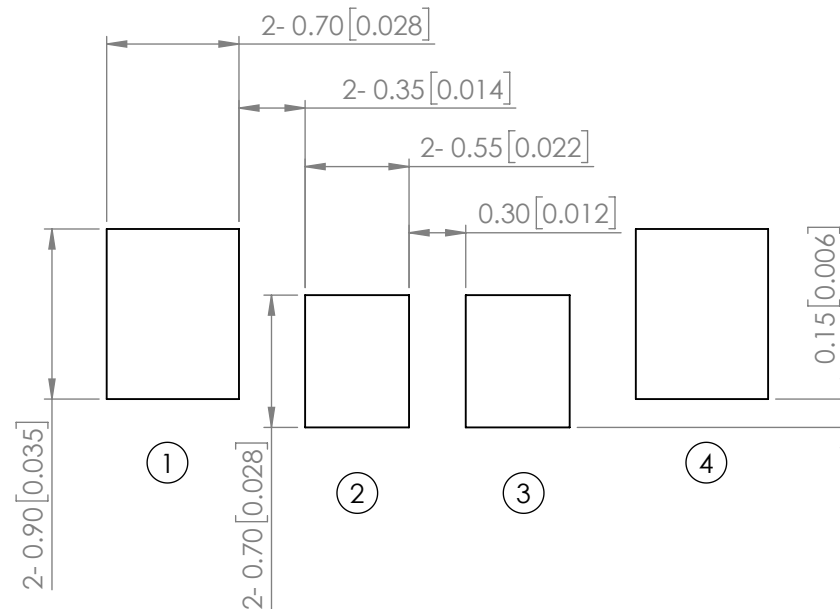
<b>PART NUMBER</b>		SML-LXR1003RGB-05	<b>REV</b>	B
<b>REV</b>	<b>E.C.N. NUMBER AND REVISION COMMENTS</b>			<b>DATE</b>
A	ECN-Lumex201900072			05.27.19
B	ECN-Lumex202000025			04.20.20



**POLARITY**



**RECOMMENDED SOLDER PAD LAYOUT**



**ELECTRO-OPTICAL CHARACTERISTIC TA=25°C**

PARAMETER		MIN	TYP	MAX	UNITS	TEST COND
PEAK WAVELENGTH	R	-	630	-	nm	If=5mA
	G	-	520	-		
	B	-	470	-		
FORWARD VOLTAGE	R	-	2.0	2.4	Vf	If=5mA
	G	-	2.8	3.2		
	B	-	2.8	3.2		
REVERSE CURRENT	R	-	-	10	uA	VR=5V
	G	-	-	10		
	B	-	-	10		
LUMINOUS INTENSITY	R	-	36	-	mcd	If=5mA
	G	-	127	-		
	B	-	36	-		
VIEWING ANGLE		-	130	-	2x theta1/2	-
EMITTED COLOR	RED / GREEN / BLUE					
EPOXY LENS FINISH	WATER CLEAR					

**ABSOLUTE MAXIMUM RATINGS TA=25°C**

PARAMETER	MAX	UNITS
PEAK FORWARD CURRENT (R/G/B)*	40 / 60 / 60	mA
FORWARD CURRENT (R/G/B)	20 / 20 / 20	mA
REVERSE VOLTAGE	5	V
POWER DISSIPATION (R/G/B)	48 / 64 / 64	mW
STORAGE TEMPERATURE	-40 TO +100	°C
OPERATING TEMPERATURE	-40 TO +85	°C
SOLDERING TEMPERATURE	3 SEC. MAX @ 260	°C

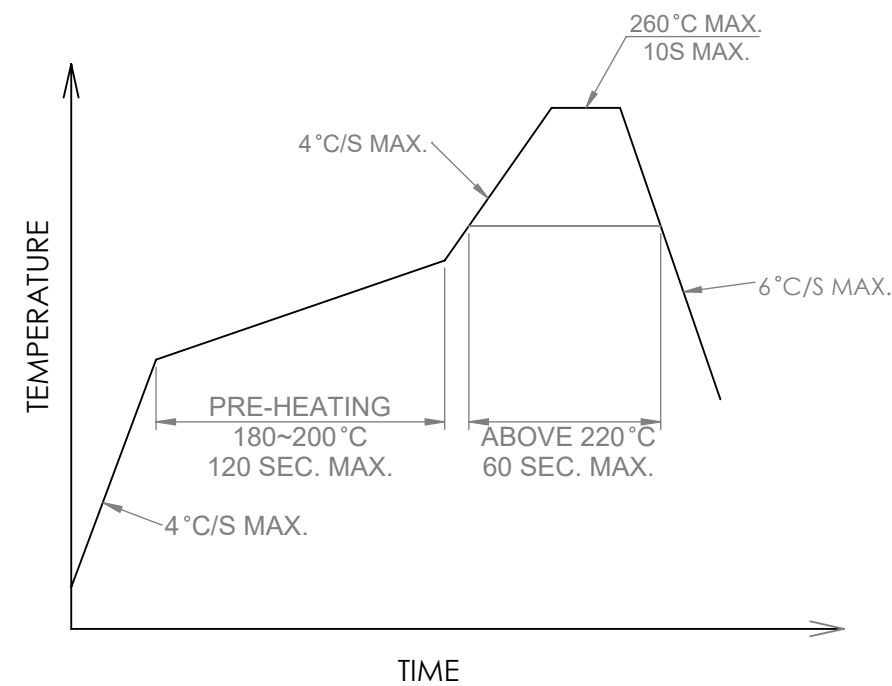
\*t<10us

MOISTURE SENSITIVE DEVICE  
PER JEDEC LEVEL 4 STANDARDS

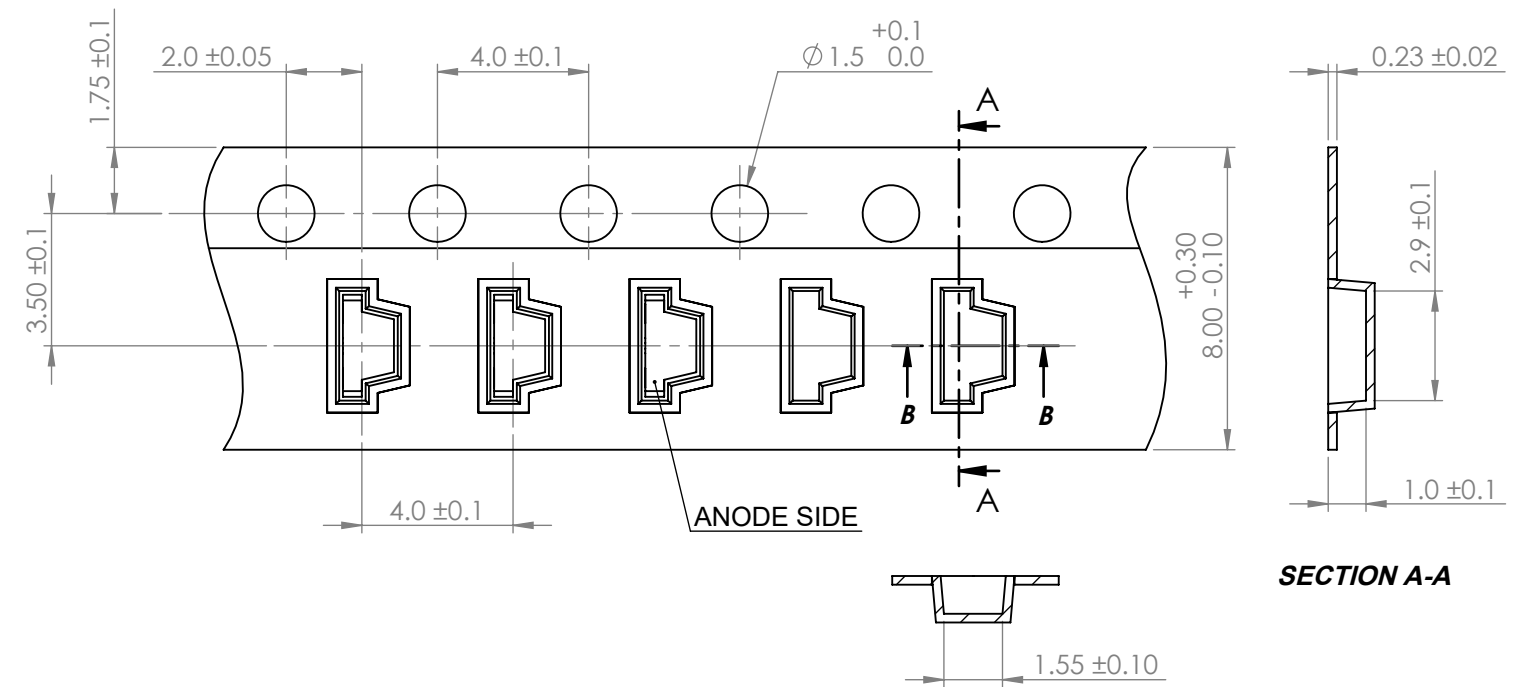
STATIC DEVICE FOLLOW PROPER  
E.S.D. HANDLING PROCEDURES  
WHEN WORKING WITH THIS PART

\*UNLESS OTHERWISE SPECIFIED TOLERANCES PER DECIMAL PRECISION ARE: X=±1 (±0.039), X.X=±0.5 (±0.020), X.XX=±0.25 (±0.010), X.XXX=±0.127 (±0.005). LEAD SIZE=±0.05 (±0.002), LEAD LENGTH=±0.75 (±0.030). MIN= +DECIMAL PRECISION / -0.00, MAX= +0.00 / -DECIMAL PRECISION

**PROFILE**



**CARRIER TAPE DIMENSION**



**SECTION A-A**

**SECTION B-B**

**NOTE:**  
1. 3000 PCS/REEL

\*UNLESS OTHERWISE SPECIFIED TOLERANCES PER DECIMAL PRECISION ARE: X=±1 (±0.039), X.X=±0.5 (±0.020), X.XX=±0.25 (±0.010), X.XXX=±0.127 (±0.005). LEAD SIZE=±0.05 (±0.002), LEAD LENGTH=±0.75 (±0.030). MIN= <sup>+DECIMAL PRECISION</sup>/<sub>-0.00</sub> MAX.= <sup>+0.00</sup>/<sub>-DECIMAL PRECISION</sub>

<p>425 N. GARY AVE. CAROL STREAM, IL 60188 PHONE : 800-278-5666 FAX : 630-315-2150 WEB : WWW.LUMEX.COM</p>	2.7(L)*0.8(W)*1.35(H)mm, SURFACE MOUNT LED, 630nm RED / 520nm GREEN / 470nm BLUE LED, WATER CLEAR LENS, TAPE & REEL, COMMON ANODE.	DATE : 2019.05.27	DRAWN BY : C.S.	
	**THE SPECIFICATIONS MAY CHANGE AT ANY TIME WITHOUT NOTICE.**	PAGE : 2 OF 2	CHKD BY : E.C.	
	CONFIDENTIAL INFORMATION	SCALE : NTF	APRVD BY : G.Y.	
	THE INFORMATION CONTAINED IN THIS DOCUMENT IS THE PROPERTY OF LUMEX INC. EXCEPT AS SPECIFICALLY AUTHORIZED IN WRITING BY LUMEX INC., THE HOLDER OF THIS DOCUMENT SHALL KEEP ALL INFORMATION CONTAINED HEREIN CONFIDENTIAL AND SHALL PROTECT SAME IN WHOLE OR IN PART FROM DISCLOSURE AND DISSEMINATION TO ALL THIRD PARTIES.	UNIT : mm [INCH]		

## Looking for pricing, stock, or lifecycle information?

Click below to explore more details on WIN SOURCE:

- ⊖ [View SML-LXR1003RGBC-05 on WIN SOURCE](#)
- ⊖ [Lumex Opto/Components Inc. Information](#)

## Optimize Your Supply Chain with WIN SOURCE Solutions

- ✓ Global Sourcing Solution
- ✓ Obsolete Management
- ✓ Cost Control Management
- ✓ Shortage Management
- ✓ Alternative Solution
- ✓ Excess Inventory Management