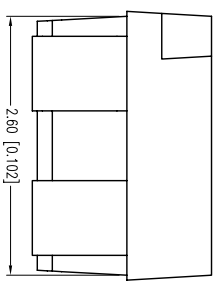
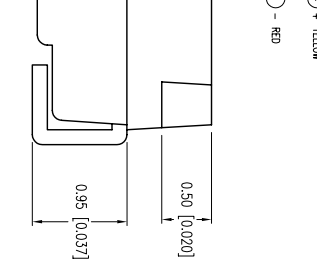
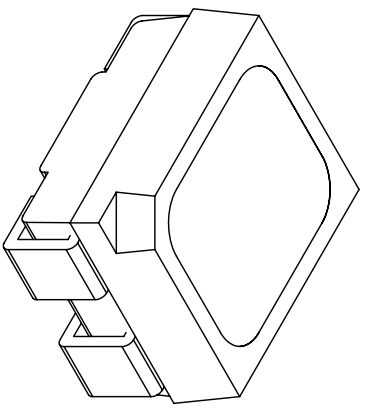
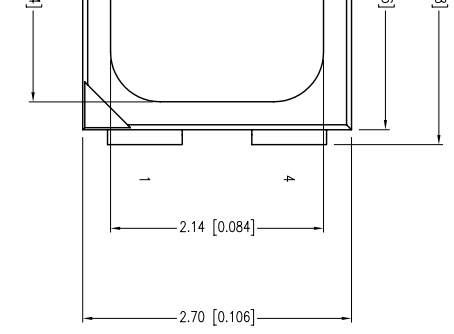




**THE DATASHEET OF
SML-LX2835IYC-TR**



PART NUMBER	SML-LX28351YC-TR	REV.	A
DATE	E.C.N. NUMBER AND REVISION COMMENTS	REV.	
1.18.12	E.C.N. #11798.	REV.	A



ELECTRO-OPTICAL CHARACTERISTICS $I_A=25\text{mA}$

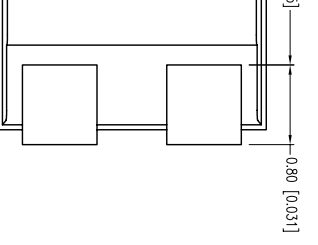
PARAMETER	MIN	TYP	MAX	UNITS	TEST COND
PEAK WAVELENGTH (R/Y)		635/595		nm	
FORWARD VOLTAGE (R/Y)		2.0/2.1	2.5/2.5	V _f	$I_f=100\mu\text{A}$
REVERSE VOLTAGE	5.0			V _r	$I_f=20\text{mA}$
AXIAL INTENSITY (R/Y)		15/25		med	
VIEWING ANGLE		120		2x theta	
EMITTED COLOR:		RED/YELLOW			
EPOXY LENS FINISH:		WATER CLEAR LENS			

LIMITS OF SAFE OPERATION AT 25°C PER CHIP

PARAMETER	MAX	UNITS
PEAK FORWARD CURRENT*	160	mA
STEADY CURRENT (R/G)	30/30	mA
POWER DISSIPATION	100	mW
DERATE FROM 25°C	-1.2	mW/°C
OPERATING TEMP.	-40 TO +85	°C
STORAGE TEMP.	-40 TO +85	°C
SOLDERING TEMP.	+260	°C
2.0mm FROM BODY		
* I<10μS		3 SEC. MAX

- NOTES:
1. THE POLARITY MARK IS ORIENTED TOWARDS THE TAPE SPROCKET HOLE.
 2. 2,000 PER REEL.

CAUTION: MOISTURE SENSITIVE DEVICE
PER JEDEC LEVEL 2 STANDARDS



HELEN ROAD
E. I. L 60067-6976
+1.847.359.2790
WWW.LUXEY.COM

2.7mm x 3.2mm SML /W REFLECTOR CUP, DUAL CHIP, 635nm/595nm LED, WATER CLEAR LENS, 2k PER REEL.

CONFIDENTIAL INFORMATION
THE SPECIFICATIONS MAY CHANGE AT ANY TIME WITHOUT NOTICE DUE TO NEW MATERIALS OR PRODUCT IMPROVEMENT

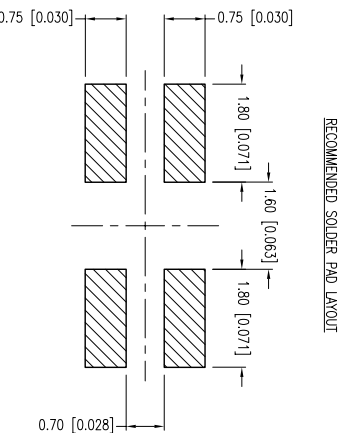
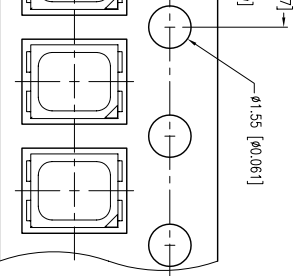
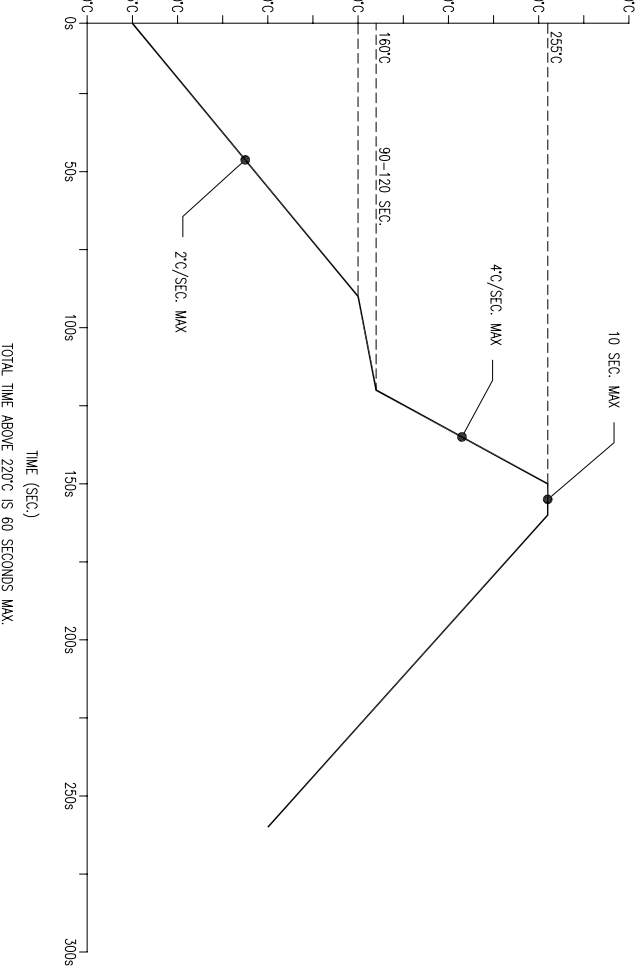
UNCONTROLLED DOCUMENT

DATE:	02.03.11	DRAWN BY:	AB
PAGE:	1 OF 2	CHKD BY:	KF
SCALE:	NTS	APRVD BY:	SS
UNIT:	mm [INCH]		

THE INFORMATION CONTAINED IN THIS DOCUMENT IS THE PROPERTY OF LUXEY INC. EXCEPT AS SPECIFICALLY AUTHORIZED IN WRITING BY LUXEY INC., THE HOLDER OF THIS DOCUMENT SHALL KEEP ALL INFORMATION CONTAINED HEREIN CONFIDENTIAL AND SHALL PROTECT SAME IN WHOLE OR IN PART FROM DISCLOSURE AND DISSEMINATION TO ALL THIRD PARTIES.

PART NUMBER	SML-LX28351YC-TR		REV.	A
DATE	E.C.N. NUMBER AND REVISION COMMENTS		REV.	
1.18.12	E.C.N. #11798.		REV.	A

LEAD FREE REFLOW PROFILE



RECOMMENDED SOLDER PAD LAYOUT

X±1 (+0.039), X-X±0.5 (+0.020), X-XX±0.25 (+0.010), X-XXX±0.127 (+0.005), LEAD SIZE=±0.05 (+0.002), LEAD LENGTH=±0.75 (+0.030), MIN= -0.00, ±DECIMAL PRECISION MAX.= +0.00, ±DECIMAL PRECISION
 HELEN ROAD
 E. I. L 60067-6976
 +1.847.359.2790
 WWW.LUMEX.COM

2.7mm x 3.2mm SML /W REFLECTOR CUP, DUAL CHIP, 635nm/585nm LED, WATER CLEAR LENS, 2k PER REEL.

CONFIDENTIAL INFORMATION
 THE INFORMATION CONTAINED IN THIS DOCUMENT IS THE PROPERTY OF LUMEX INC. EXCEPT AS SPECIFICALLY AUTHORIZED IN WRITING BY LUMEX INC., THE HOLDER OF THIS DOCUMENT SHALL KEEP ALL INFORMATION CONTAINED HEREIN CONFIDENTIAL AND SHALL PROTECT SAME IN WHOLE OR IN PART FROM DISCLOSURE AND DISSEMINATION TO ALL THIRD PARTIES.

THE SPECIFICATIONS MAY CHANGE AT ANY TIME WITHOUT NOTICE DUE TO NEW MATERIALS OR PRODUCT IMPROVEMENT

UNCONTROLLED DOCUMENT

DATE:	02.03.11	DRAWN BY:	AB
PAGE:	2 OF 2	CHKD BY:	KF
SCALE:	NTS	APRVD BY:	SS
UNIT:	mm [INCH]		



Looking for pricing, stock, or lifecycle information?

Click below to explore more details on WIN SOURCE:

- ⊖ [View SML-LX2835IYC-TR on WIN SOURCE](#)
- ⊖ [Lumex Opto/Components Inc. Information](#)

Optimize Your Supply Chain with WIN SOURCE Solutions

- ✓ Global Sourcing Solution
- ✓ Obsolete Management
- ✓ Cost Control Management
- ✓ Shortage Management
- ✓ Alternative Solution
- ✓ Excess Inventory Management