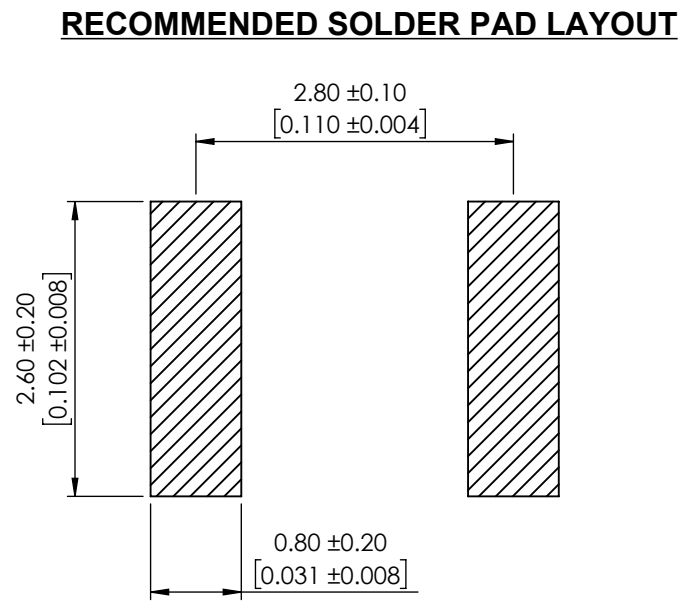
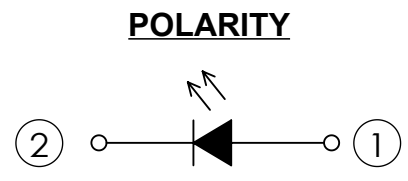
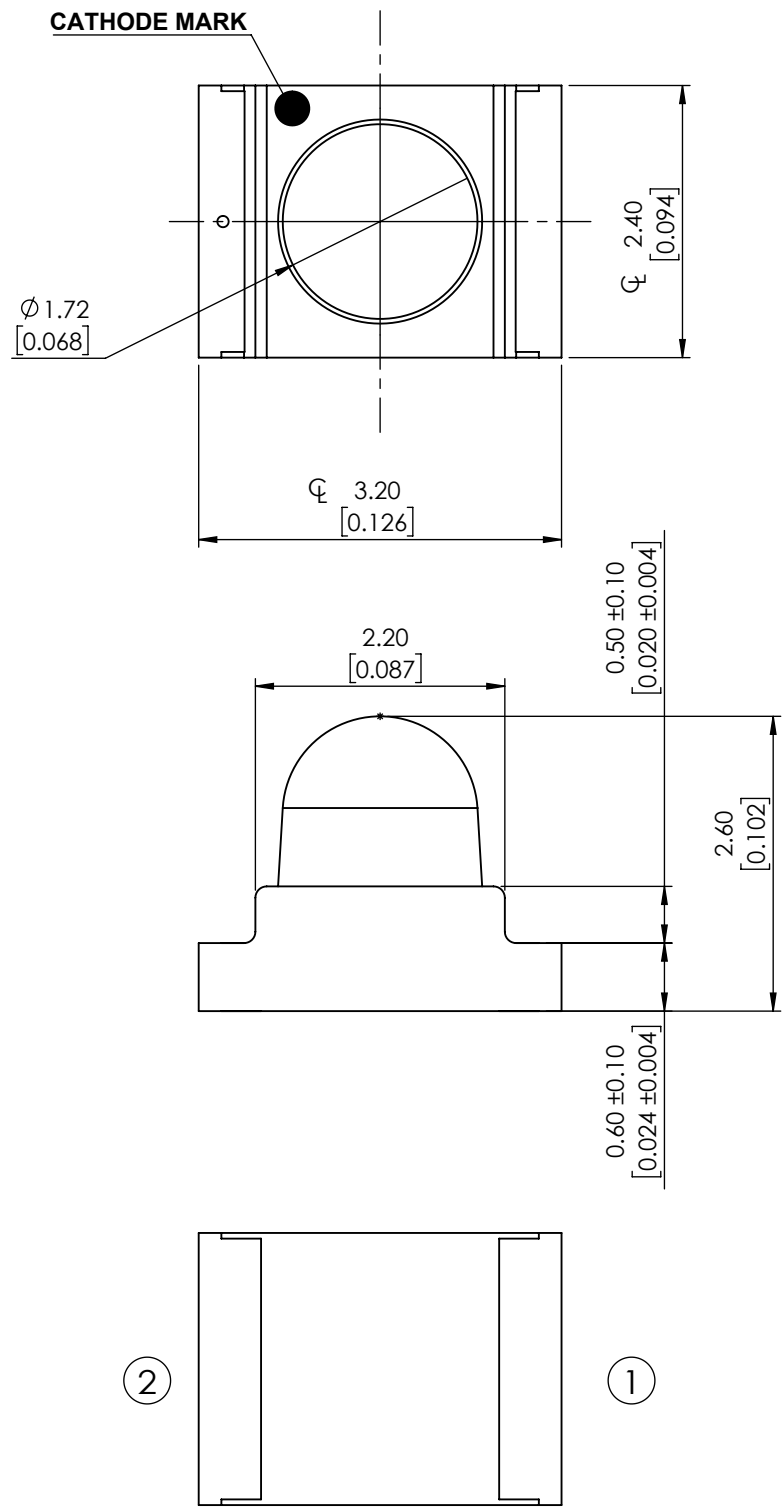




**THE DATASHEET OF
SML-LXL1209SIC-TR**



PART NUMBER		SML-LXL1209SIC-TR	REV	D
REV	E.C.N. NUMBER AND REVISION COMMENTS			DATE
A	E.C.N. #10967.			03.14.03
B	E.C.N. #11148.			12.03.04
C	E.C.N. #11508.			05.27.10
D	ECN-Lumex201700103			11.07.17



ELECTRO-OPTICAL CHARACTERISTIC TA=25°C

PARAMETER	MIN	TYP	MAX	UNITS	TEST COND
PEAK WAVELENGTH	-	632	-	nm	If=20mA
FORWARD VOLTAGE	1.7	2.0	2.4	Vf	If=20mA
REVERSE CURRENT	-	-	10	uA	VR=5V
LUMINOUS INTENSITY	-	415	-	mcd	If=20mA
VIEWING ANGLE	-	20	-	2x theta _{1/2}	If=20mA
EMITTED COLOR	SUPER INTENSITY RED				
EPOXY LENS FINISH	WATER CLEAR				

ABSOLUTE MAXIMUM RATINGS TA=25°C

PARAMETER	MAX	UNITS
PEAK FORWARD CURRENT*	60	mA
FORWARD CURRENT	25	mA
REVERSE VOLTAGE	5	V
POWER DISSIPATION	60	mW
STORAGE TEMPERATURE	-40 TO +85	°C
OPERATING TEMPERATURE	-40 TO +90	°C
SOLERING TEMPERATURE	3 SECS MAX @ 260	°C

*Duty 1/10 @1KHz

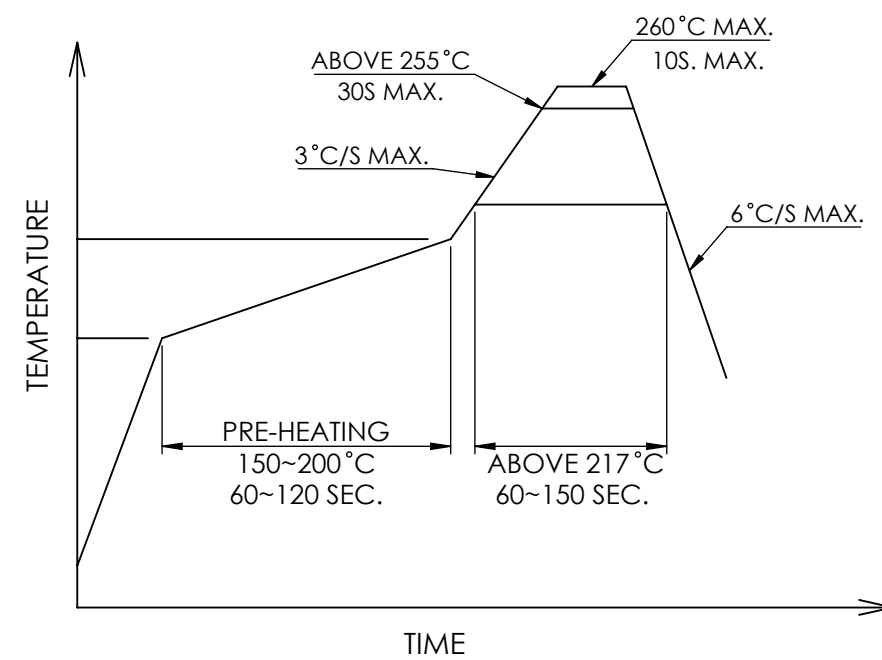
- NOTE:**
- 1.RoHS COMPLIANT.
 - 2.PACKAGE :1000PCS/REEL

**MOISTURE SENSITIVE DEVICE
PER JEDEC LEVEL 3 STANDARDS**

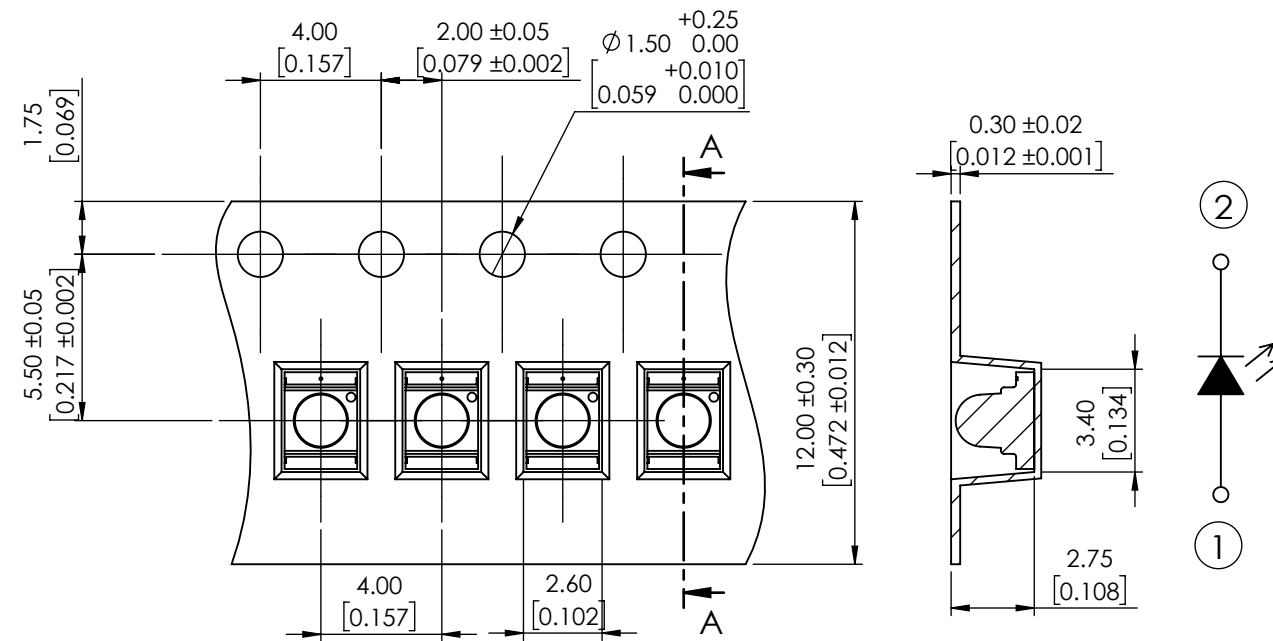
*UNLESS OTHERWISE SPECIFIED TOLERANCES PER DECIMAL PRECISION ARE: X=±1 (±0.039), X.X=±0.5 (±0.020), X.XX=±0.25 (±0.010), X.XXX=±0.127 (±0.005). LEAD SIZE=±0.05 (±0.002), LEAD LENGTH=±0.75 (±0.030). MIN= ^{+DECIMAL PRECISION}/_{-0.00} MAX= ^{+0.00}/_{-DECIMAL PRECISION}

PART NUMBER		SML-LXL1209SIC-TR	REV	D
REV	E.C.N. NUMBER AND REVISION COMMENTS		DATE	
A	E.C.N. #10967.		03.14.03	
B	E.C.N. #11148.		12.03.04	
C	E.C.N. #11508.		05.27.10	
D	ECN-Lumex201700103		11.07.17	

PROFILE




CARRIER TAPE DIMENSION



SECTION A-A

*UNLESS OTHERWISE SPECIFIED TOLERANCES PER DECIMAL PRECISION ARE: X=±1 (±0.039), X.X=±0.5 (±0.020), X.XX=±0.25 (±0.010), X.XXX=±0.127 (±0.005). LEAD SIZE=±0.05 (±0.002), LEAD LENGTH=±0.75 (±0.030). MIN= ^{+DECIMAL PRECISION} / _{-0.00} MAX. = ^{+0.00} / _{-DECIMAL PRECISION}

 <p>425 N. GARY AVE. CAROL STREAM, IL 60188 PHONE : 800-278-5666 FAX : 630-315-2150 WEB : WWW.LUMEX.COM</p>	3.2(L)*2.4(W)*2.6(H)mm, SML, 632nm SUPER INTENSITY RED LED, WATER CLEAR LENS, TAPE AND REEL.	DATE : 2017.11.06	DRAWN BY : K.Y.	
	THE SPECIFICATIONS MAY CHANGE AT ANY TIME WITHOUT NOTICE DUE TO NEW MATERIALS OR PRODUCT IMPROVEMENT.	PAGE : 2 OF 2	CHKD BY : E.C.	
	CONFIDENTIAL INFORMATION THE INFORMATION CONTAINED IN THIS DOCUMENT IS THE PROPERTY OF LUMEX INC. EXCEPT AS SPECIFICALLY AUTHORIZED IN WRITING BY LUMEX INC., THE HOLDER OF THIS DOCUMENT SHALL KEEP ALL INFORMATION CONTAINED HEREIN CONFIDENTIAL AND SHALL PROTECT SAME IN WHOLE OR IN PART FROM DISCLOSURE AND DISSEMINATION TO ALL THIRD PARTIES.	SCALE : NTF	APRVD BY : G.Y.	
		UNIT : mm [INCH]	(No)	

Looking for pricing, stock, or lifecycle information?

Click below to explore more details on WIN SOURCE:

- ⊖ [View SML-LXL1209SIC-TR on WIN SOURCE](#)
- ⊖ [Lumex Opto/Components Inc. Information](#)

Optimize Your Supply Chain with WIN SOURCE Solutions

- ✓ Global Sourcing Solution
- ✓ Obsolete Management
- ✓ Cost Control Management
- ✓ Shortage Management
- ✓ Alternative Solution
- ✓ Excess Inventory Management