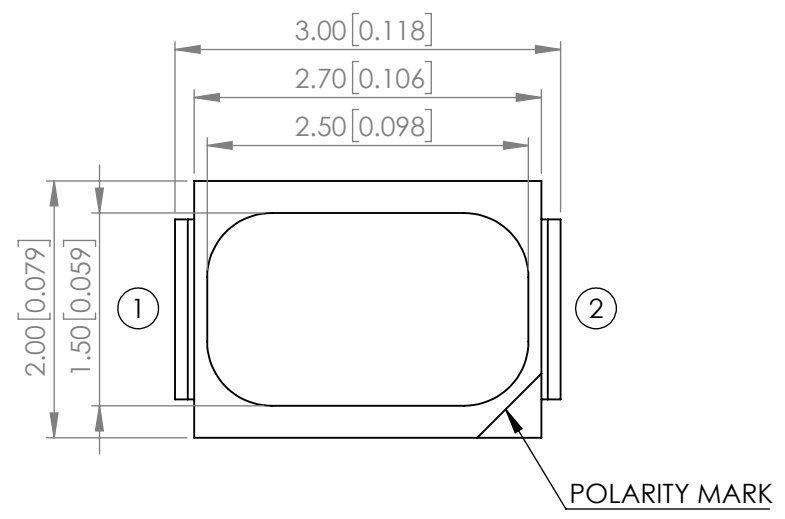




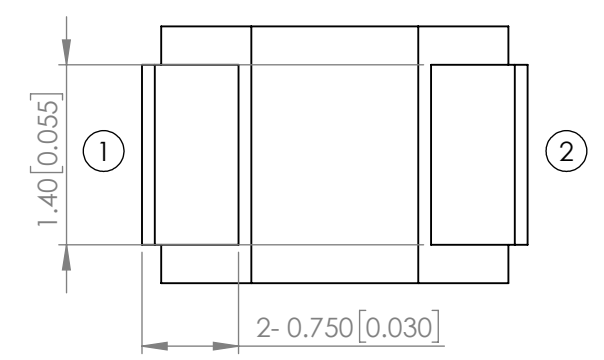
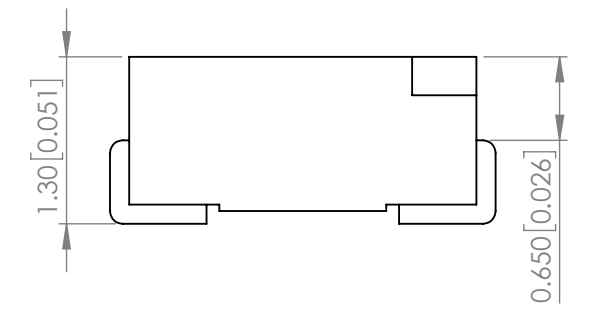
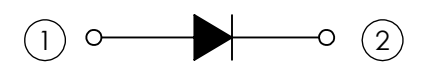
THE DATASHEET OF SML-LX23SIC-TR



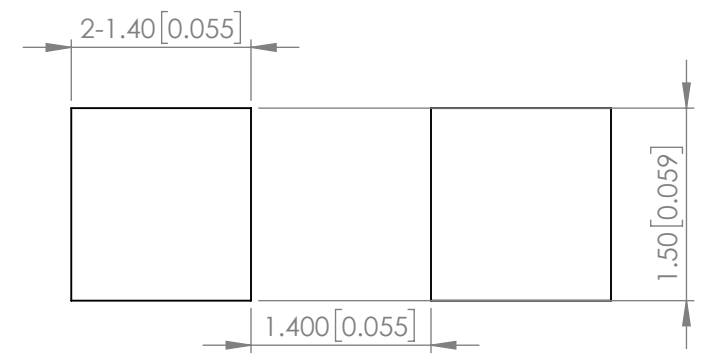
| | | | | |
|--------------------|--|----------------|-------------|---|
| PART NUMBER | | SML-LX23SIC-TR | REV | D |
| REV | E.C.N. NUMBER AND REVISION COMMENTS | | DATE | |
| A | E.C.N. #11148 | | 02.08.05 | |
| B | E.C.N. #10603 | | 12.14.09 | |
| C | E.C.N. #10BRDR & REDRAWN | | 03.28.11 | |
| D | ECN-Lumex202300084 | | 08.07.23 | |



POLARITY



RECOMMENDED SOLDER PAD LAYOUT



ELECTRO-OPTICAL CHARACTERISTIC TA=25°C

| PARAMETER | MIN | TYP | MAX | UNITS | TEST COND |
|--------------------|-------------|-----|-----|-------------|-----------|
| PEAK WAVELENGTH | - | 645 | - | nm | If=20mA |
| FORWARD VOLTAGE | - | 1.9 | 2.5 | Vf | If=20mA |
| REVERSE VOLTAGE | - | - | 10 | uA | VR=5V |
| LUMINOUS INTENSITY | - | 110 | - | mcd | If=20mA |
| VIEWING ANGLE | - | 120 | - | 2x theta1/2 | - |
| EMITTED COLOR | RED | | | | |
| EPOXY LENS FINISH | WATER CLEAR | | | | |

ABSOLUTE MAXIMUM RATINGS TA=25°C

| PARAMETER | MAX | UNITS |
|-----------------------|------------|-------|
| PEAK FORWARD CURRENT* | 160 | mA |
| FORWARD CURRENT | 30 | mA |
| REVERSE VOLTAGE | 5 | V |
| POWER DISSIPATION | 75 | mW |
| STORAGE TEMPERATURE | -40 TO +85 | °C |
| OPERATING TEMPERATURE | -40 TO +85 | °C |

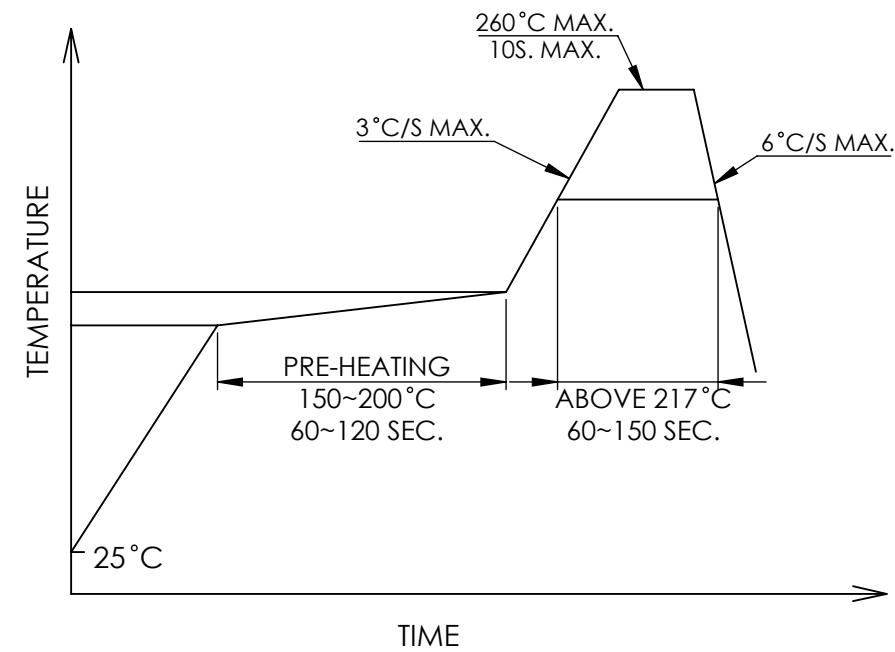
*1/10 duty cycle, 0.1ms pluse width.

STATIC DEVICE FOLLOW PROPER E.S.D. HANDLING PROCEDURES WHEN WORKING WITH THIS PART

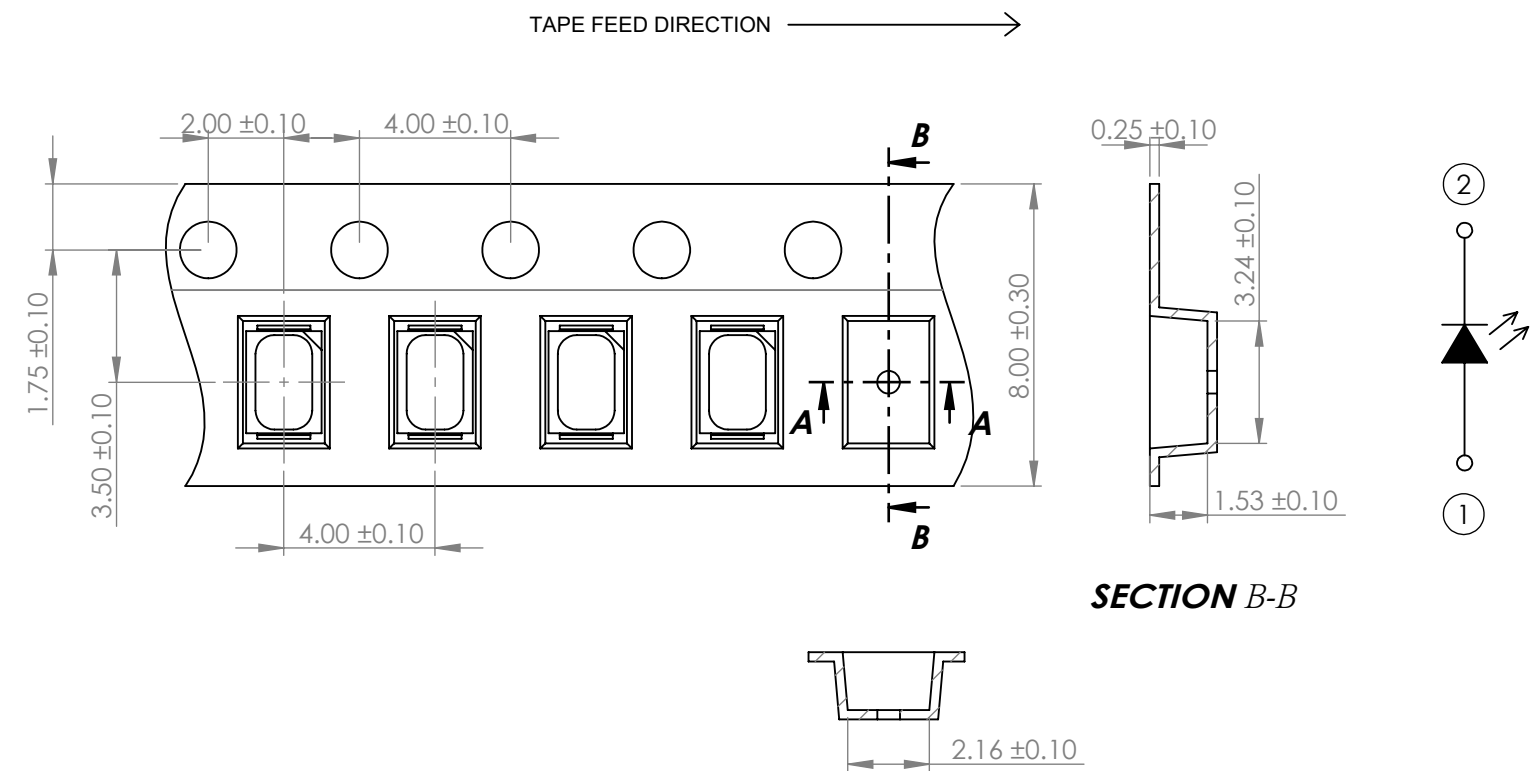
MOISTURE SENSITIVE DEVICE PER JEDEC LEVEL 3 STANDARDS

*UNLESS OTHERWISE SPECIFIED TOLERANCES PER DECIMAL PRECISION ARE: X=±1 (±0.039), X.X=±0.5 (±0.020), X.XX=±0.25 (±0.010), X.XXX=±0.127 (±0.005). LEAD SIZE=±0.05 (±0.002), LEAD LENGTH=±0.75 (±0.030). MIN= ^{+DECIMAL PRECISION}/_{-0.00} MAX= ^{+0.00}/_{-DECIMAL PRECISION}

PROFILE



CARRIER TAPE DIMENSION



SECTION B-B

SECTION A-A

NOTED:
1. PACKAGE:2000pcs/REEL

*UNLESS OTHERWISE SPECIFIED TOLERANCES PER DECIMAL PRECISION ARE: X=±1 (±0.039), X.X=±0.5 (±0.020), X.XX=±0.25 (±0.010), X.XXX=±0.127 (±0.005). LEAD SIZE=±0.05 (±0.002), LEAD LENGTH=±0.75 (±0.030). MIN= ^{+DECIMAL PRECISION}/_{-0.00} MAX= ^{+0.00}/_{-DECIMAL PRECISION}



425 N. GARY AVE.
CAROL STREAM, IL 60188
PHONE : 800-278-5666
FAX : 630-315-2150
WEB : WWW.LUMEX.COM

3.0(L)*2.0(W)*1.3(H)mm, SURFACE MOUNT WITH REFLECTOR, 645nm RED LED, WATER CLEAR LENS, TAPE AND REEL.



****THE SPECIFICATIONS MAY CHANGE AT ANY TIME WITHOUT NOTICE.****

CONFIDENTIAL INFORMATION
THE INFORMATION CONTAINED IN THIS DOCUMENT IS THE PROPERTY OF LUMEX INC. EXCEPT AS SPECIFICALLY AUTHORIZED IN WRITING BY LUMEX INC., THE HOLDER OF THIS DOCUMENT SHALL KEEP ALL INFORMATION CONTAINED HEREIN CONFIDENTIAL AND SHALL PROTECT SAME IN WHOLE OR IN PART FROM DISCLOSURE AND DISSEMINATION TO ALL THIRD PARTIES.

| | |
|-------------------|-----------------|
| DATE : 2023.08.07 | DRAWN BY : E.C. |
| PAGE : 2 OF 2 | CHKD BY : T.S. |
| SCALE : NTF | APRVD BY : G.Y. |
| UNIT : mm [INCH] | Ⓟ |

Looking for pricing, stock, or lifecycle information?

Click below to explore more details on WIN SOURCE:

-  [View SML-LX23SIC-TR on WIN SOURCE](#)
-  [Lumex Opto/Components Inc. Information](#)

Optimize Your Supply Chain with WIN SOURCE Solutions

-  Global Sourcing Solution
-  Obsolete Management
-  Cost Control Management
-  Shortage Management
-  Alternative Solution
-  Excess Inventory Management