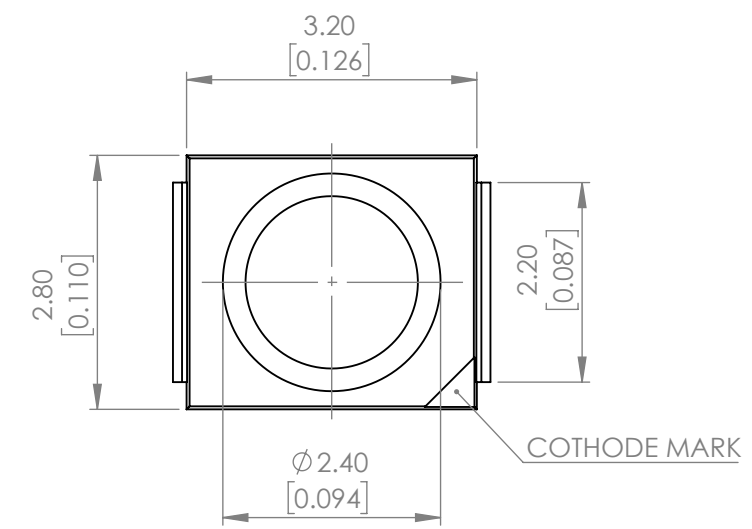




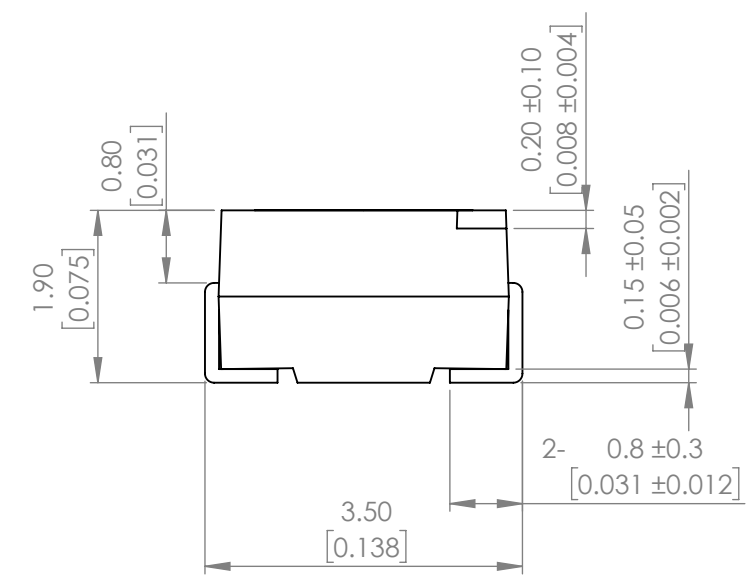
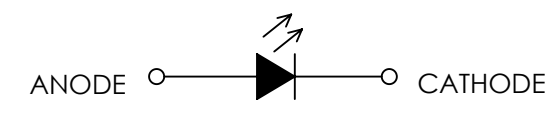
**THE DATASHEET OF  
SML-LX2832UWC-TR**



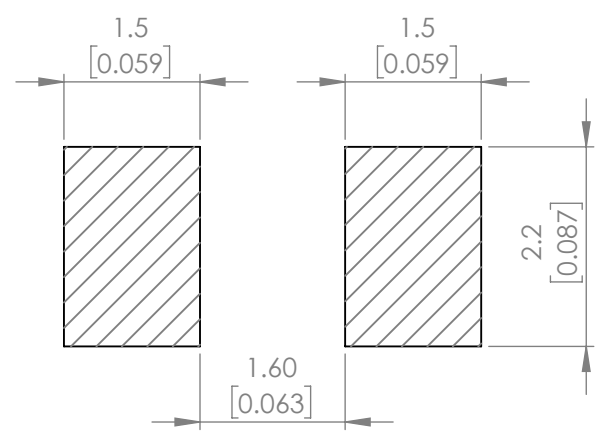
<b>PART NUMBER</b>	<b>SML-LX2832UWC-TR</b>	<b>REV</b>	<b>G</b>
<b>DATE</b>	<b>E.C.N. AND REVISION COMMENTS</b>		<b>REV.</b>
03.14.03	E.C.N. #10967		A
02.08.05	E.C.N. #11148		B
10.18.07	E.C.N. #11450		C
05.07.10	E.C.N. #11627		D
11.09.10	E.C.N. #11677		E
04.11.12	E.C.N. #10BRDR. & REDRAWN/#11727.		F
02.23.18	ECN-Lumex201800033		G



**POLARITY**



**RECOMMENDED SOLDER PAD LAYOUT**



**ELECTRO-OPTICAL CHARACTERISTIC TA=25°C**

PARAMETER	MIN	TYP	MAX	UNITS	TEST COND
CHROMATICITY COORDINATES-x	-	0.31	-	-	If=20mA
CHROMATICITY COORDINATES-y	-	0.31	-	-	If=20mA
<b>FORWARD VOLTAGE</b>	-	3.3	4.0	Vf	If=20mA
<b>REVERSE VOLTAGE</b>	-	-	5	Vr	Ir=10uA
<b>LUMINOUS INTENSITY</b>	-	450	-	mcd	If=20mA
<b>VIEWING ANGLE</b>	-	120	-	2x theta1/2	-
<b>EMITTED COLOR</b>	WHITE				
<b>EPOXY LENS FINISH</b>	YELLOW FLUORESCENT				

**ABSOLUTE MAXIMUM RATINGS TA=25°C**

PARAMETER	MAX	UNITS
<b>PEAK FORWARD CURRENT*</b>	150	mA
<b>FORWARD CURRENT</b>	30	mA
<b>POWER DISIPATION</b>	120	mW
<b>STORAGE TEMPERATURE</b>	-40 TO +85	°C
<b>OPERATING TEMPERATURE</b>	-40 TO +85	°C

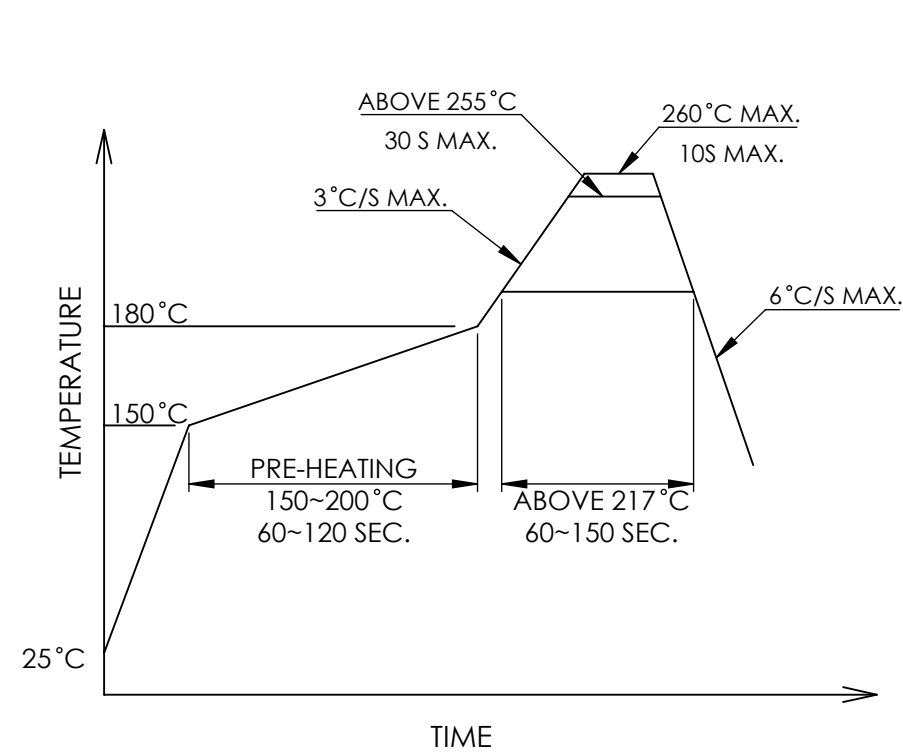
\*t<10us

MOISTURE SENSITIVE DEVICE  
PER JEDEC LEVEL 4 STANDARDS

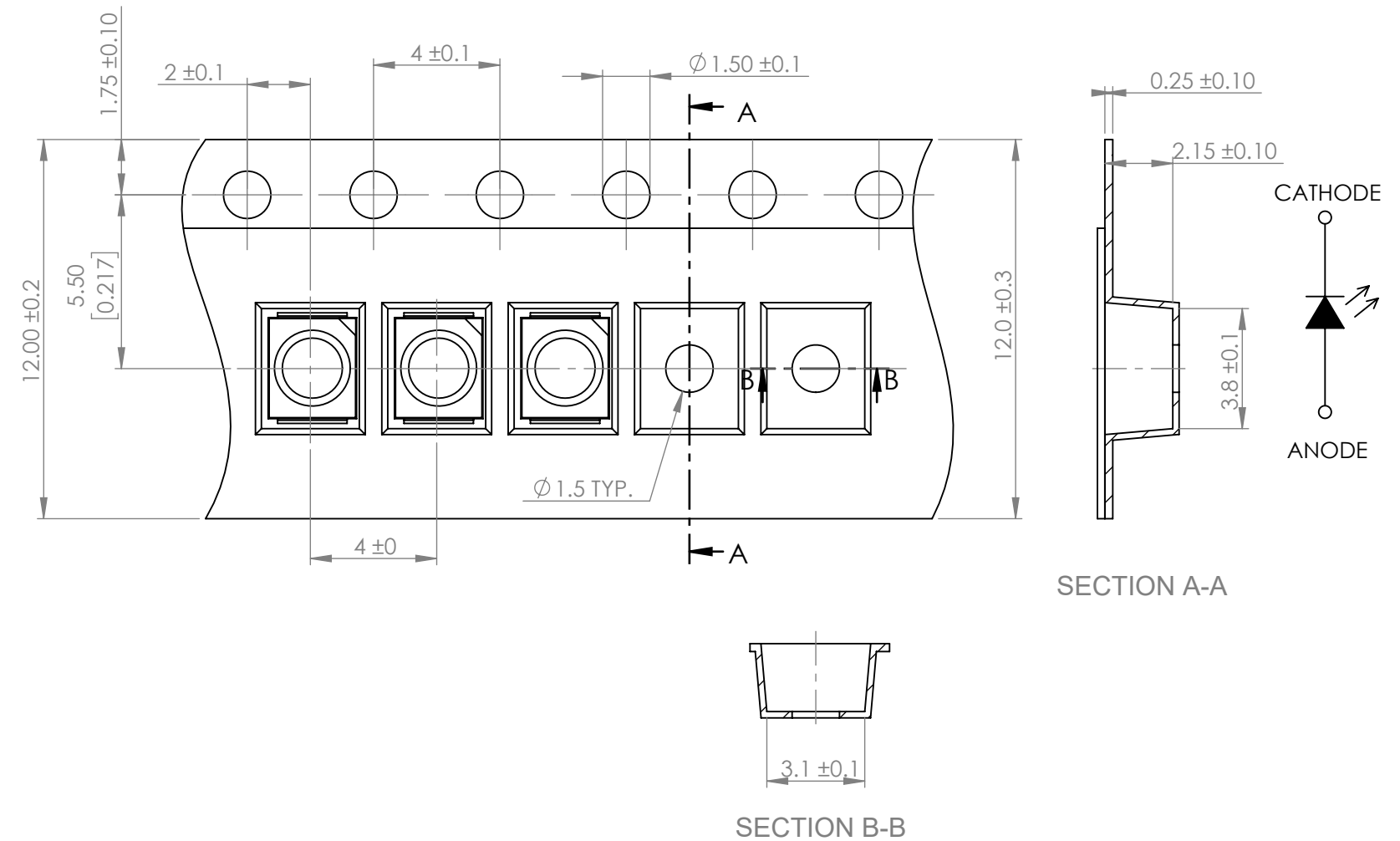
STATIC DEVICE FOLLOW PROPER  
E.S.D. HANDLING PROCEDURES  
WHEN WORKING WITH THIS PART

\*UNLESS OTHERWISE SPECIFIED TOLERANCES PER DECIMAL PRECISION ARE: X=±1 (±0.039), X.X=±0.5 (±0.020), X.XX=±0.25 (±0.010), X.XXX=±0.127 (±0.005). LEAD SIZE=±0.05 (±0.002), LEAD LENGTH=±0.75 (±0.030). MIN= <sup>+DECIMAL PRECISION</sup>/<sub>-0.00</sub> MAX= <sup>+0.00</sup>/<sub>-DECIMAL PRECISION</sub>


**PROFILE**



**CARRIER TAPE DIMENSION**



\*UNLESS OTHERWISE SPECIFIED TOLERANCES PER DECIMAL PRECISION ARE: X=±1 (±0.039), X.X=±0.5 (±0.020), X.XX=±0.25 (±0.010), X.XXX=±0.127 (±0.005). LEAD SIZE=±0.05 (±0.002), LEAD LENGTH=±0.75 (±0.030). MIN= <sup>+DECIMAL PRECISION</sup> / <sub>-0.00</sub> MAX. = <sup>+0.00</sup> / <sub>-DECIMAL PRECISION</sub>

 <p>425 N. GARY AVE. CAROL STREAM, IL 60188 PHONE : 800-278-5666 FAX : 630-315-2150 WEB : WWW.LUMEX.COM</p>	3.2(L)*2.8(W)*1.9(H)mm, SURFACE MOUNT TOP VIEW LED, AlGaInP ORANGE, WATER CLEAR LENS, TAPE & REEL.		DATE : 2017.08.18	DRAWN BY : C.C.
	**THE SPECIFICATIONS MAY CHANGE AT ANY TIME WITHOUT NOTICE DUE TO NEW MATERIALS OR PRODUCT IMPROVEMENT.**		PAGE : 2 OF 2	CHKD BY : G.Y.
	CONFIDENTIAL INFORMATION THE INFORMATION CONTAINED IN THIS DOCUMENT IS THE PROPERTY OF LUMEX INC. EXCEPT AS SPECIFICALLY AUTHORIZED IN WRITING BY LUMEX INC., THE HOLDER OF THIS DOCUMENT SHALL KEEP ALL INFORMATION CONTAINED HEREIN CONFIDENTIAL AND SHALL PROTECT SAME IN WHOLE OR IN PART FROM DISCLOSURE AND DISSEMINATION TO ALL THIRD PARTIES.		SCALE : NTF	APRVD BY : E.C.
			UNIT : mm [INCH]	(No)

## Looking for pricing, stock, or lifecycle information?

Click below to explore more details on WIN SOURCE:

- ⊖ [View SML-LX2832UWC-TR on WIN SOURCE](#)
- ⊖ [Lumex Opto/Components Inc. Information](#)

## Optimize Your Supply Chain with WIN SOURCE Solutions

- ✓ Global Sourcing Solution
- ✓ Obsolete Management
- ✓ Cost Control Management
- ✓ Shortage Management
- ✓ Alternative Solution
- ✓ Excess Inventory Management