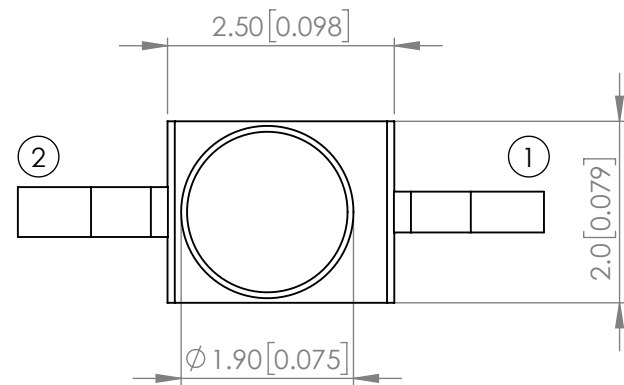




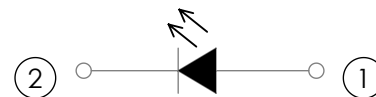
**THE DATASHEET OF  
SSL-LXA228IC-TR31**



<b>PART NUMBER</b>	SSL-LXA228IC-TR31	<b>REV</b>	F
<b>REV</b>	<b>E.C.N. NUMBER AND REVISION COMMENTS</b>	<b>DATE</b>	
A	CHG'D SOLDER OPER. & STOR. SPECS.	08.03.94	
B	CHG'D WHERE NOTED.	11.29.94	
C	E.C.N #10695. &10BRDR.	01.05.01	
D	E.C.N #10762.	06.18.01	
E	E.C.N #11148.	05.18.01	
F	ECN-Lumex201900025	02.12.19	



**POLARITY**



**ELECTRO-OPTICAL CHARACTERISTIC TA=25°C**

PARAMETER	MIN	TYP	MAX	UNITS	TEST COND
PEAK WAVELENGTH	-	640	-	nm	If=20mA
FORWARD VOLTAGE	-	2.0	2.6	Vf	If=20mA
REVERSE VOLTAGE	-	-	10	uA	VR=5V
LUMINOUS INTENSITY	-	80	-	mcd	If=20mA
VIEWING ANGLE	-	25	-	2x theta1/2	-
EMITTED COLOR	RED				
EPOXY LENS FINISH	WATER CLEAR				

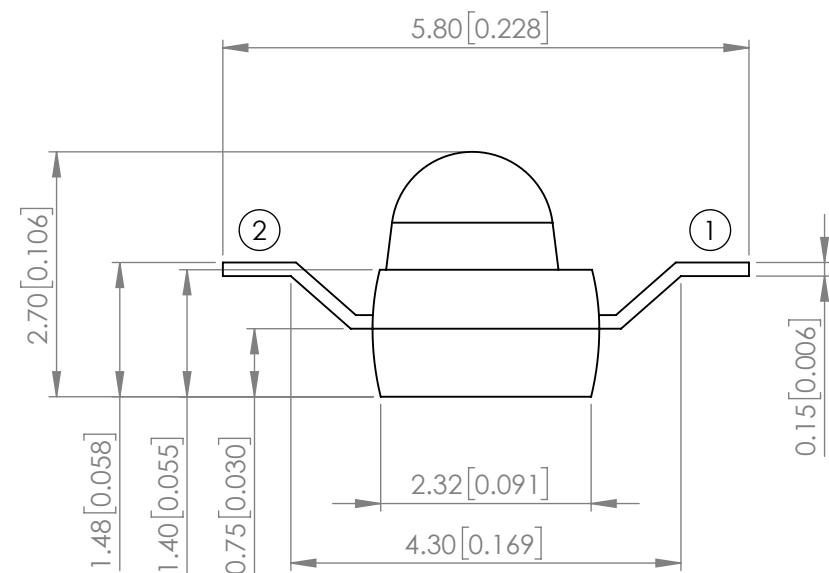
**ABSOLUTE MAXIMUM RATINGS TA=25°C**

PARAMETER	MAX	UNITS
PEAK FORWARD CURRENT*	160	mA
FORWARD CURRENT	30	mA
POWER DISSIPATION	78	mW
REVERSE VOLTAGE	5	V
STORAGE TEMPERATURE	-40 TO +100	°C
OPERATING TEMPERATURE	-40 TO +85	°C
SOLDERING TEMPERATURE**	3 SEC. MAX. @260	°C

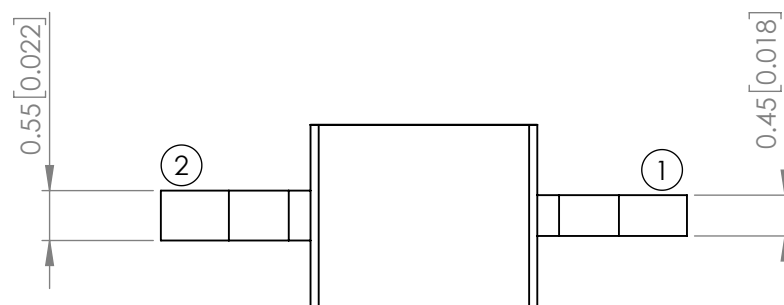
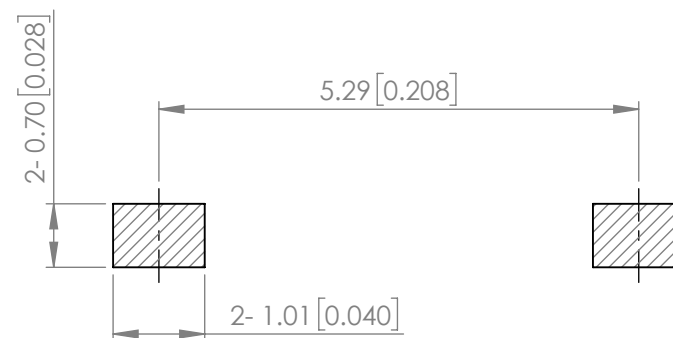
\*t<10us

\*\* 2.0mm FROM BODY.

MOISTURE SENSITIVE DEVICE  
PER JEDEC LEVEL 4 STANDARDS

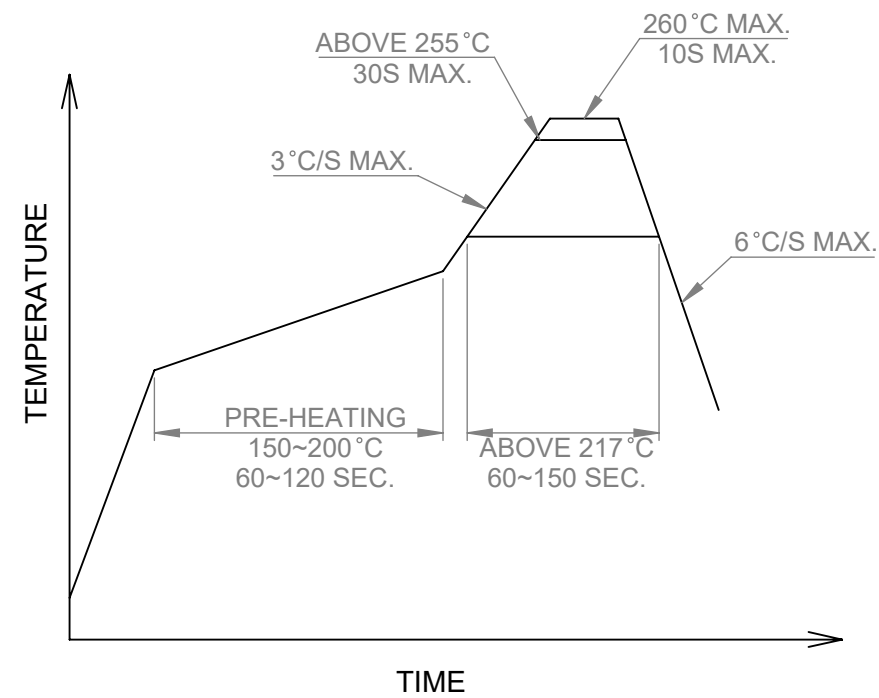


**RECOMMENDED SOLDER PAD LAYOUT**

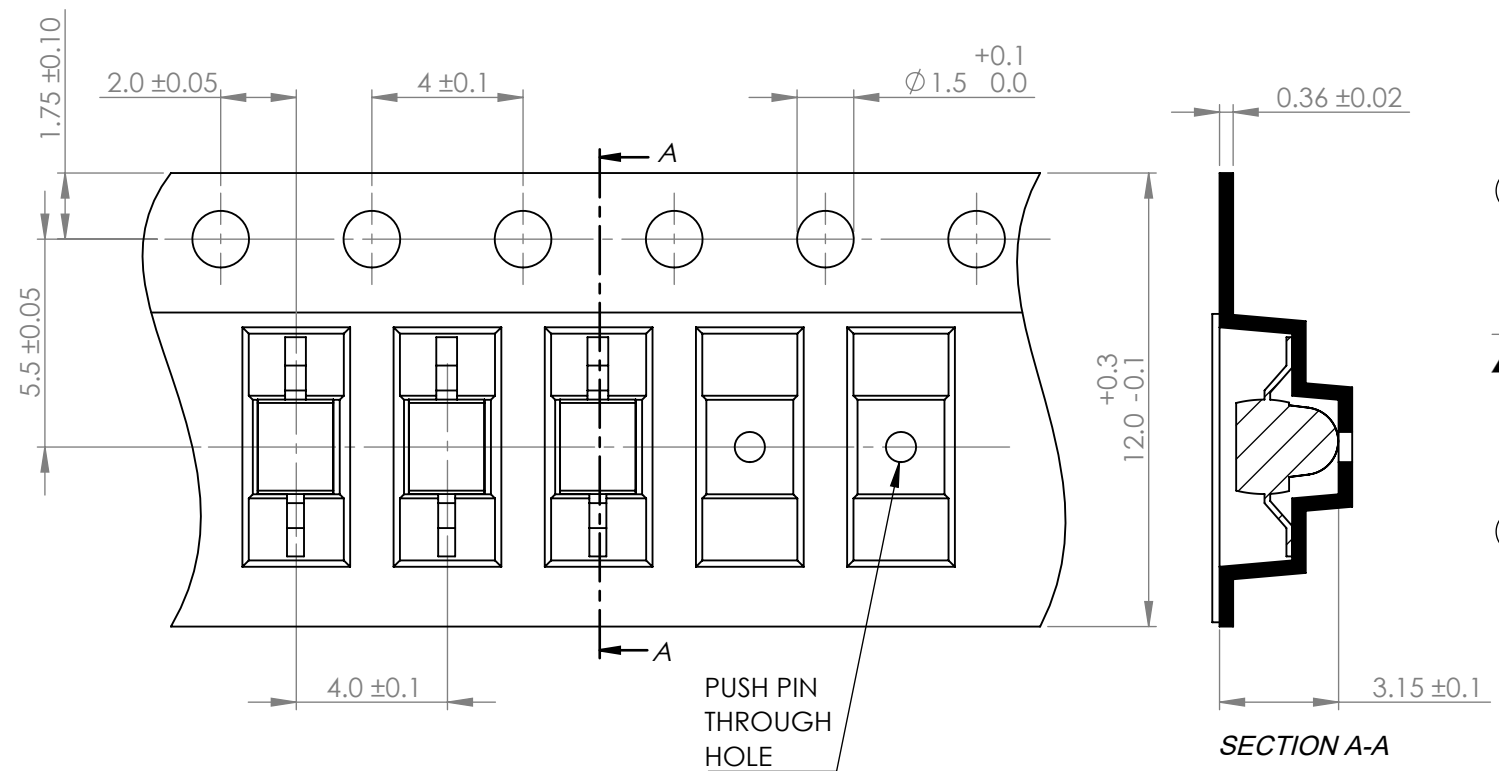


\*UNLESS OTHERWISE SPECIFIED TOLERANCES PER DECIMAL PRECISION ARE: X=±1 (±0.039), X.X=±0.5 (±0.020), X.XX=±0.25 (±0.010), X.XXX=±0.127 (±0.005). LEAD SIZE=±0.05 (±0.002), LEAD LENGTH=±0.75 (±0.030). MIN= <sup>+DECIMAL PRECISION</sup>/<sub>-0.00</sub> MAX.= <sup>+0.00</sup>/<sub>-DECIMAL PRECISION</sub>

PROFILE



CARRIER TAPE DIMENSION



**NOTE:**  
1. 1,000 PCS/REEL.

\*UNLESS OTHERWISE SPECIFIED TOLERANCES PER DECIMAL PRECISION ARE: X=±1 (±0.039), X.X=±0.5 (±0.020), X.XX=±0.25 (±0.010), X.XXX=±0.127 (±0.005). LEAD SIZE=±0.05 (±0.002), LEAD LENGTH=±0.75 (±0.030). MIN= <sup>+DECIMAL PRECISION</sup> / <sub>-0.00</sub> MAX= <sup>+0.00</sup> / <sub>-DECIMAL PRECISION</sub>

 <p>425 N. GARY AVE. CAROL STREAM, IL 60188 PHONE : 800-278-5666 FAX : 630-315-2150 WEB : WWW.LUMEX.COM</p>	5.8(L)*2.0(W)*2.7(H)mm, GaN/SiC 640nm RED, AXIAL LED, WATER CLEAR LENS, Z BEND, TAPE AND REEL.		DATE : 2019.02.12	DRAWN BY : C.S.
	**THE SPECIFICATIONS MAY CHANGE AT ANY TIME WITHOUT NOTICE.**		PAGE : 2 OF 2	CHKD BY : E.C.
	CONFIDENTIAL INFORMATION THE INFORMATION CONTAINED IN THIS DOCUMENT IS THE PROPERTY OF LUMEX INC. EXCEPT AS SPECIFICALLY AUTHORIZED IN WRITING BY LUMEX INC., THE HOLDER OF THIS DOCUMENT SHALL KEEP ALL INFORMATION CONTAINED HEREIN CONFIDENTIAL AND SHALL PROTECT SAME IN WHOLE OR IN PART FROM DISCLOSURE AND DISSEMINATION TO ALL THIRD PARTIES.		SCALE : NTF	APRVD BY : G.Y.
			UNIT : mm [INCH]	

## Looking for pricing, stock, or lifecycle information?

Click below to explore more details on WIN SOURCE:

- ⊖ [View SSL-LXA228IC-TR31 on WIN SOURCE](#)
- ⊖ [Lumex Opto/Components Inc. Information](#)

## Optimize Your Supply Chain with WIN SOURCE Solutions

- ✓ Global Sourcing Solution
- ✓ Obsolete Management
- ✓ Cost Control Management
- ✓ Shortage Management
- ✓ Alternative Solution
- ✓ Excess Inventory Management