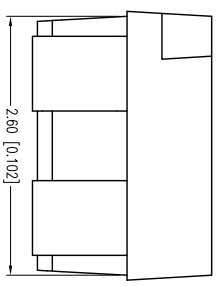
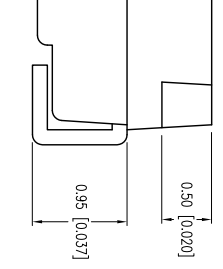
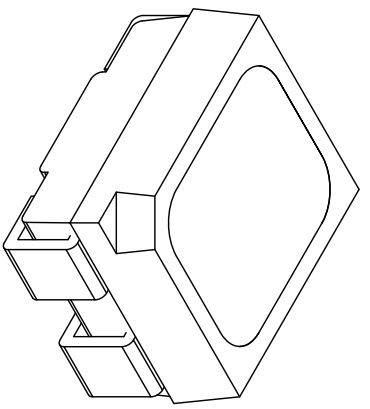
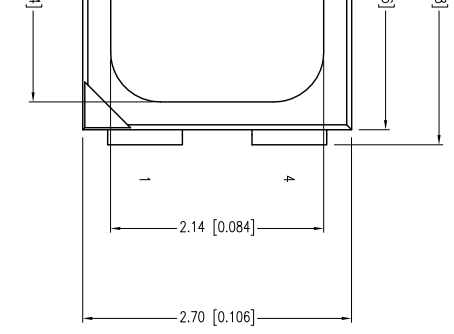




**THE DATASHEET OF
SML-LX2835SISUGCTR**



PART NUMBER	SML-LX28355SUGCTR		REV.	C
DATE	E.C.N. NUMBER AND REVISION COMMENTS		REV.	
04.19.11	E.C.N. #11715.		REV.	A
1.18.12	E.C.N. #11798.		REV.	B
5.19.15	E.C.N. #11945.		REV.	C



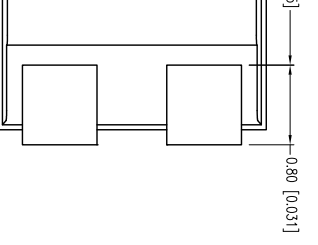
▣ ELECTRO-OPTICAL CHARACTERISTICS $I_A=25\text{mA}$

PARAMETER	MIN	TP	MAX	UNITS	TEST COND
PEAK WAVELENGTH (R/G)	636/574	2.0	2.4	nm	
FORWARD VOLTAGE	5.0			V _f	$I_f=100\mu\text{A}$
REVERSE VOLTAGE				V _r	$I_f=20\text{mA}$
AXIAL INTENSITY (R/G)	25/60			med	
VIEWING ANGLE	120			2x theta	
EMITTED COLOR:	RED/GREEN				
EPOXY LENS FINISH:	WATER CLEAR LENS				

PARAMETER	MAX	UNITS
LIMITS OF SAFE OPERATION AT 25°C PER CHIP		
PEAK FORWARD CURRENT*	160	mA
STEADY CURRENT (R/G)	30/30	mA
POWER DISSIPATION	100	mW
DERATE FROM 25°C	-1.2	mW/°C
OPERATING TEMP.	-40 TO +85	°C
STORAGE TEMP.	-40 TO +85	°C
SOLDERING TEMP.	+260	°C
2.0mm FROM BODY		
* t<10μS		3 SEC. MAX

- NOTES:
1. THE POLARITY MARK IS ORIENTED TOWARDS THE TAPE SPROCKET HOLE.
 2. 2,000 PER REEL.

CAUTION: MOISTURE SENSITIVE DEVICE
PER JEDEC LEVEL 3 STANDARDS



X=±1 (±0.039), X.X=±0.5 (±0.020), X.XX=±0.25 (±0.010), X.XXX=±0.127 (±0.005), LEAD SIZE=±0.05 (±0.002), LEAD LENGTH=±0.75 (±0.030), MIN.= -0.001, MAX.= +0.001
 L 60188-4900
 0.278,5666
 152152
 CSCS.COM

2.7mm x 3.2mm SML /W REFLECTOR CUP, DUAL CHIP, 636nm/574nm LED, WATER CLEAR LENS, 2k PER REEL.

THE SPECIFICATIONS MAY CHANGE AT ANY TIME WITHOUT NOTICE DUE TO NEW MATERIALS OR PRODUCT IMPROVEMENT

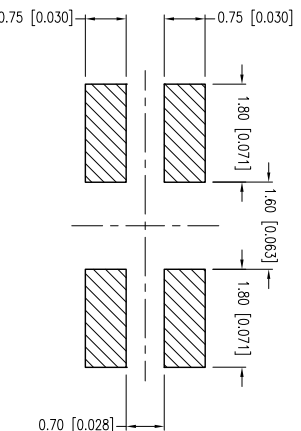
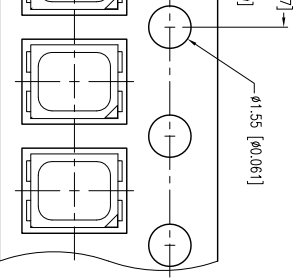
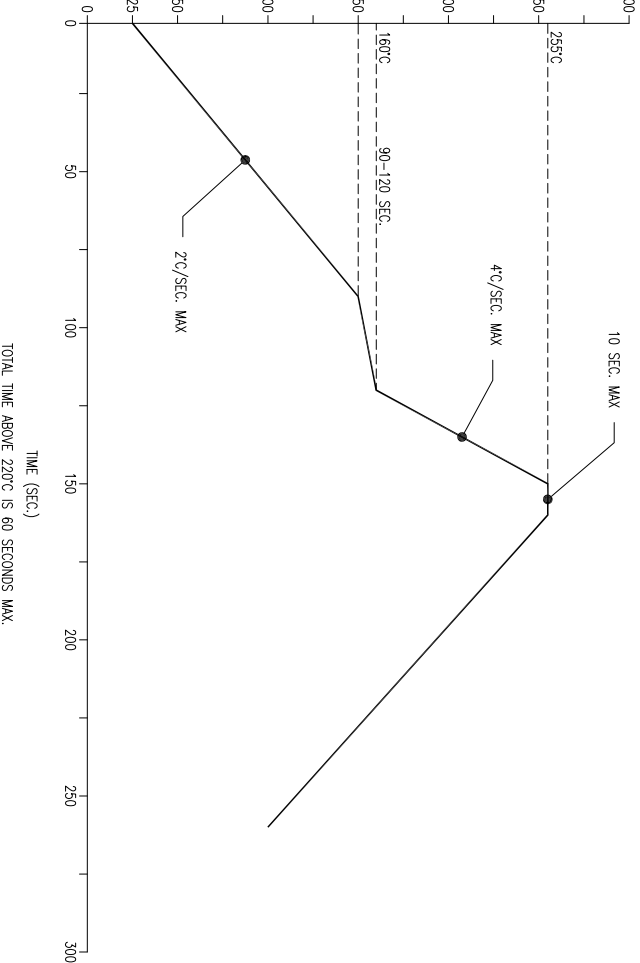
UNCONTROLLED DOCUMENT

DATE:	02.03.11	DRAWN BY:	AB
PAGE:	1 OF 2	CHKD BY:	KF
SCALE:	NTS	APRVD BY:	SS
UNIT:	mm [INCH]		



PART NUMBER	SML-LX28355SUGCTR		REV.	C
DATE	E.C.N. NUMBER AND REVISION COMMENTS		REV.	
04.19.11	E.C.N. #11715.		A	
1.18.12	E.C.N. #11798.		B	
5.19.15	E.C.N. #11945.		C	

LEAD FREE REFLOW PROFILE



RECOMMENDED SOLDER PAD LAYOUT

AVE. 1 L 60188-4900
0.278,5666
15.2152
SCS.COM

2.7mm x 3.2mm SML /W REFLECTOR CUP, DUAL CHIP, 636nm/574nm LED, WATER CLEAR LENS, 2k PER REEL.

CONFIDENTIAL INFORMATION
THE INFORMATION CONTAINED IN THIS DOCUMENT IS THE PROPERTY OF LUXEY INC. EXCEPT AS SPECIFICALLY AUTHORIZED IN WRITING BY LUXEY INC., THE HOLDER OF THIS DOCUMENT SHALL KEEP ALL INFORMATION CONTAINED HEREIN CONFIDENTIAL AND SHALL PROTECT SAME IN WHOLE OR IN PART FROM DISCLOSURE AND DISSEMINATION TO ALL THIRD PARTIES.



UNCONTROLLED DOCUMENT

DATE:	02.03.11	DRAWN BY:	AB
PAGE:	2 OF 2	CHKD BY:	KF
SCALE:	NTS	APRVD BY:	SS
UNIT:	mm [INCH]		



Looking for pricing, stock, or lifecycle information?

Click below to explore more details on WIN SOURCE:

-  [View SML-LX2835SISUGCTR on WIN SOURCE](#)
-  [Lumex Opto/Components Inc. Information](#)

Optimize Your Supply Chain with WIN SOURCE Solutions

-  Global Sourcing Solution
-  Obsolete Management
-  Cost Control Management
-  Shortage Management
-  Alternative Solution
-  Excess Inventory Management