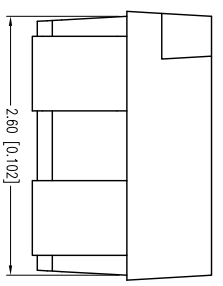
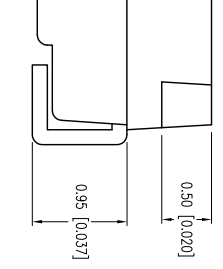
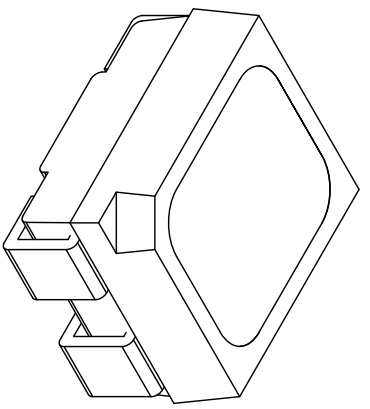
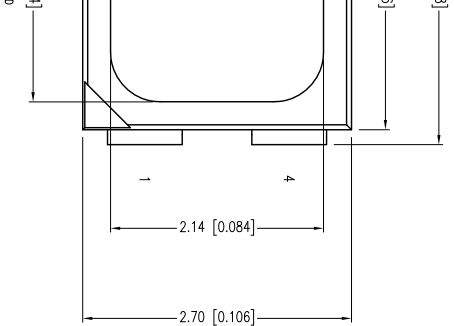




**THE DATASHEET OF
SML-LX2835SUGSICTR**



PART NUMBER	SML-LX28355SUGSICTR		REV.	B
DATE	E.C.N. NUMBER AND REVISION COMMENTS		REV.	
04.20.11	E.C.N. #11714.		A	
1.18.12	E.C.N. #11798.		B	



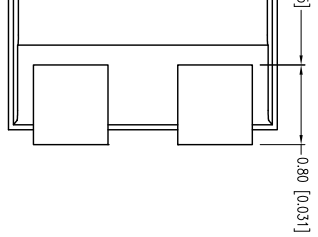
□ ELECTRO-OPTICAL CHARACTERISTICS $I_A=25\text{mA}$

PARAMETER	MIN	TYP	MAX	UNITS	TEST COND
PEAK WAVELENGTH (G/R)	575/632	2.0	2.4	nm	
FORWARD VOLTAGE				V _f	I _f =100uA
REVERSE VOLTAGE	5.0			V _r	I _f =20mA
AXIAL INTENSITY (G/R)	45/90			med	
VIEWING ANGLE	120			2x theta	
EMITTED COLOR:	GREEN/RED				
EPOXY LENS FINISH:	WATER CLEAR LENS				

LIMITS OF SAFE OPERATION AT 25°C		PER CHIP	UNITS
PARAMETER	MAX		
PEAK FORWARD CURRENT*	60		mA
STEADY CURRENT (R/G)	25		mA
POWER DISSIPATION	100		mW
DERATE FROM 25°C	-1.2		mW/°C
OPERATING TEMP.	-40 TO +85		°C
STORAGE TEMP.	-40 TO +85		°C
SOLDERING TEMP.	+260		°C
2.0mm FROM BODY			3 SEC. MAX
* I<10uS			

- NOTES:
1. THE POLARITY MARK IS ORIENTED TOWARDS THE TAPE SPROCKET HOLE.
 2. 2,000 PER REEL.

CAUTION: MOISTURE SENSITIVE DEVICE
PER JEDEC LEVEL 3 STANDARDS



RN R90D 80067-69/76
 3.59.6538
 LUXEY.COM
LUXEY PHOTONICS GROUP

2.7mm x 3.2mm SML /W REFLECTOR CUP, DUAL CHIP, 574nm/636nm LED, WATER CLEAR LENS, 2k PER REEL.

THE SPECIFICATIONS MAY CHANGE AT ANY TIME WITHOUT NOTICE DUE TO NEW MATERIALS OR PRODUCT IMPROVEMENT

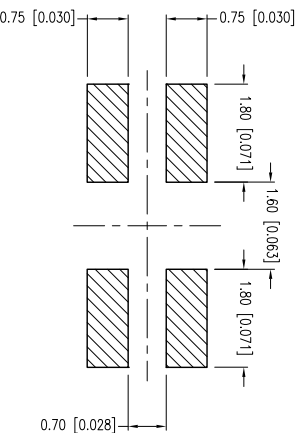
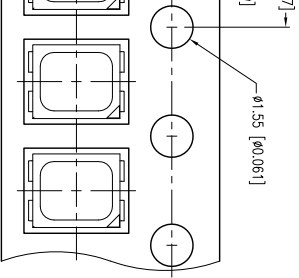
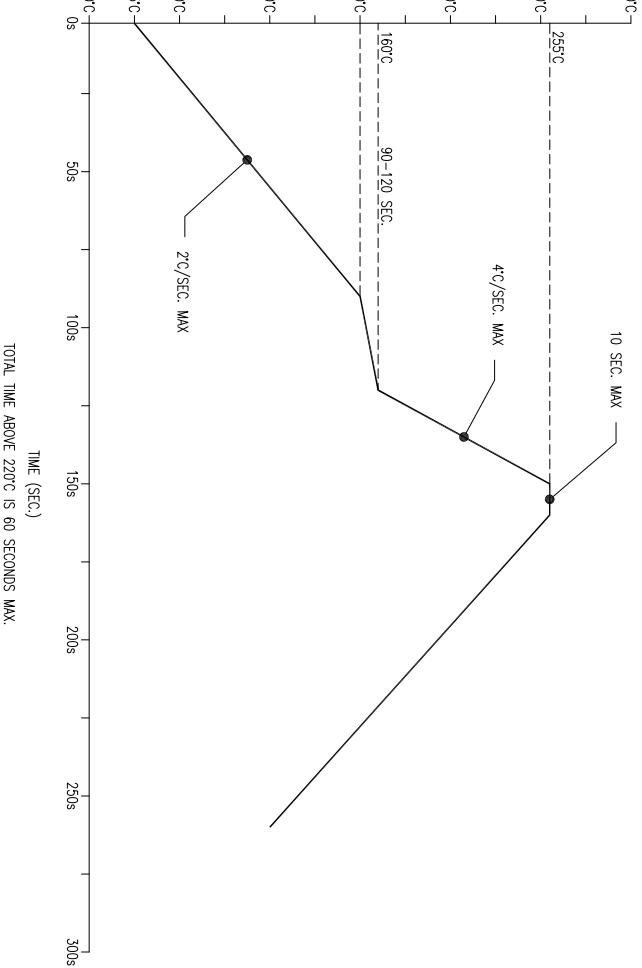
CONFIDENTIAL INFORMATION
 THE INFORMATION CONTAINED IN THIS DOCUMENT IS THE PROPERTY OF LUXEY INC. EXCEPT AS SPECIFICALLY AUTHORIZED IN WRITING BY LUXEY INC., THE HOLDER OF THIS DOCUMENT SHALL KEEP ALL INFORMATION CONTAINED HEREIN CONFIDENTIAL AND SHALL PROTECT SAME IN WHOLE OR IN PART FROM DISCLOSURE AND DISSEMINATION TO ALL THIRD PARTIES.

UNCONTROLLED DOCUMENT

DATE:	02.03.11	DRAWN BY:	AB
PAGE:	1 OF 2	CHKD BY:	KF
SCALE:	NTS	APRVD BY:	KF
UNIT:	mm [INCH]		

PART NUMBER	SML-LX2835SUGSICTR		REV.	B
DATE	E.C.N. NUMBER AND REVISION COMMENTS		REV.	A
04.20.11	E.C.N. #11714.			
1.18.12	E.C.N. #11798.			B

LEAD FREE REFLOW PROFILE



RECOMMENDED SOLDER PAD LAYOUT

EN R90D X±1 (+0.039), X.X=±0.5 (+0.020), X.XX=±0.25 (+0.010), X.XXX=±0.127 (+0.005), LEAD SIZE=±0.05 (+0.002), LEAD LENGTH=±0.75 (+0.030), MIN.= -0.00 DECMAL PRECISION MAX.= +0.00 DECMAL PRECISION
 80067-6976
 947.359.2790
 LUXEY.COM
 J.59.6538
 /TW PHOTONICS GROUP

2.7mm x 3.2mm SML /W REFLECTOR CUP, DUAL CHIP, 574nm/636nm LED, WATER CLEAR LENS, 2k PER REEL.

CONFIDENTIAL INFORMATION
 THE INFORMATION CONTAINED IN THIS DOCUMENT IS THE PROPERTY OF LUXEY INC. EXCEPT AS SPECIFICALLY AUTHORIZED IN WRITING BY LUXEY INC., THE HOLDER OF THIS DOCUMENT SHALL KEEP ALL INFORMATION CONTAINED HEREIN CONFIDENTIAL AND SHALL PROTECT SAME IN WHOLE OR IN PART FROM DISCLOSURE AND DISSEMINATION TO ALL THIRD PARTIES.

THE SPECIFICATIONS MAY CHANGE AT ANY TIME WITHOUT NOTICE DUE TO NEW MATERIALS OR PRODUCT IMPROVEMENT



UNCONTROLLED DOCUMENT

DATE:	02.03.11	DRAWN BY:	AB
PAGE:	2 OF 2	CHKD BY:	KF
SCALE:	NTS	APRVD BY:	KF
UNIT:	mm [INCH]		



Looking for pricing, stock, or lifecycle information?

Click below to explore more details on WIN SOURCE:

-  [View SML-LX2835SUGSICTR on WIN SOURCE](#)
-  [Lumex Opto/Components Inc. Information](#)

Optimize Your Supply Chain with WIN SOURCE Solutions

-  Global Sourcing Solution
-  Obsolete Management
-  Cost Control Management
-  Shortage Management
-  Alternative Solution
-  Excess Inventory Management