



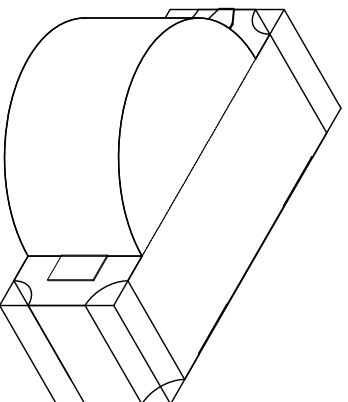
**THE DATASHEET OF
SML-LXR851GC-TR**



PART NUMBER	SML-LXR851GC-TR	REV.	D
DATE	E.C.N. NUMBER AND REVISION COMMENTS		REV.
07.18.00	E.C.N. #10644.		A
09.07.04	E.C.N. #10967.		B
12.13.07	E.C.N. #11148		C
05.16.11	E.C.N. #11710/10BRDR. & REDRAWN.		D

ELECTRO-OPTICAL CHARACTERISTICS TA = 25°C I_f = 20mA

PARAMETER	MIN	TYP.	MAX	UNITS	TEST COND
PEAK WAVELENGTH		565		nm	
FORWARD VOLTAGE		2.2	2.6	V _f	I _f = 100µA
REVERSE VOLTAGE	5.0			V _r	I _f = 20mA
AXIAL INTENSITY		11		mcd	
VIEWING ANGLE		160		2x theta	
EMITTED COLOR:	GREEN				
EPOXY LENS FINISH:	WATER CLEAR				

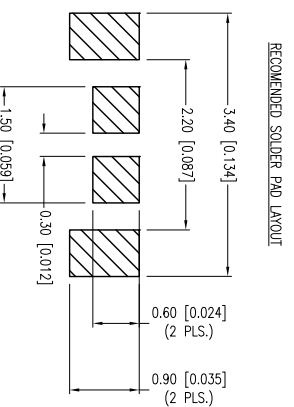
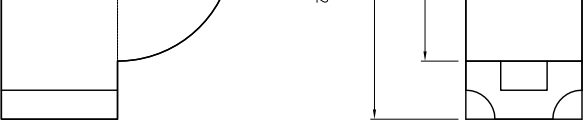


LIMITS OF SAFE OPERATION AT 25°C

PARAMETER	MAX	UNITS
PEAK FORWARD CURRENT*	160	mA
STEADY CURRENT	25	mA
POWER DISSIPATION	100	mW
DERATE FROM 25°C	-1.2	mW/°C
OPERATING TEMP.	-40 TO +85	°C
STORAGE TEMP.	-30 TO +90	°C

* I_c < 10µS

CAUTION: MOISTURE SENSITIVE DEVICE
PER JEDEC LEVEL 2 STANDARDS



0.40 [0.016]
(2 PLS.)

Y ANE
JAN. 11. 60188-4900
800.278.5666
3.15.2152
LUXEY.COM
/TW PHOTONICS GROUP

1.0x3.0mm PCB RIGHT ANGLE SURFACE MOUNT LED, 565nm GREEN, WATER CLEAR LENS, TAPE & REEL.

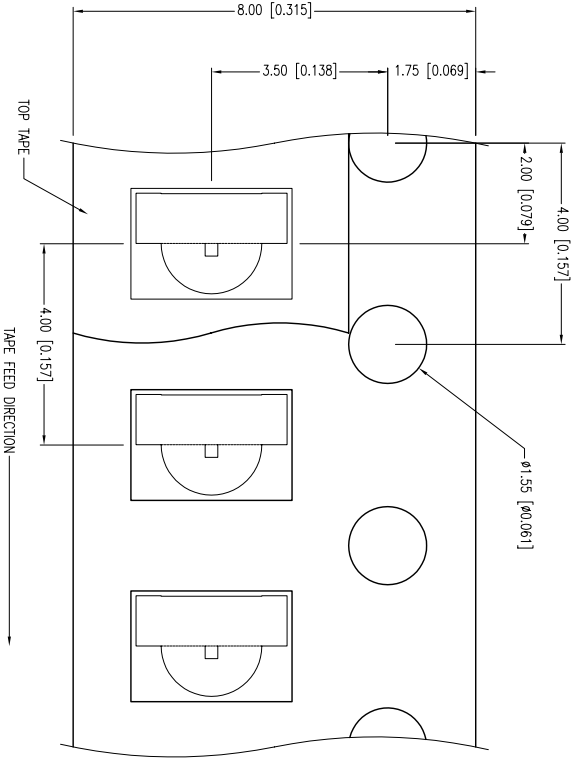
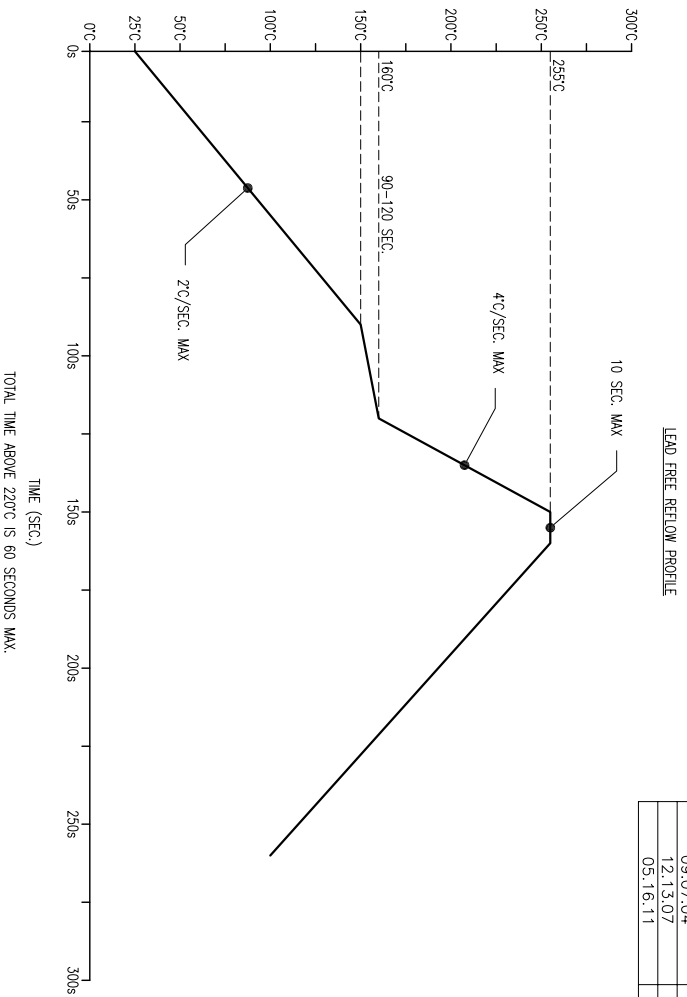
THE SPECIFICATIONS MAY CHANGE AT ANY TIME WITHOUT NOTICE DUE TO NEW MATERIALS OR PRODUCT IMPROVEMENT

CONFIDENTIAL INFORMATION
THE INFORMATION CONTAINED IN THIS DOCUMENT IS THE PROPERTY OF LUXEY INC. EXCEPT AS SPECIFICALLY AUTHORIZED IN WRITING BY LUXEY INC., THE HOLDER OF THIS DOCUMENT SHALL KEEP ALL INFORMATION CONTAINED HEREIN CONFIDENTIAL, AND SHALL PROTECT SAME IN WHOLE OR IN PART FROM DISCLOSURE AND DISSEMINATION TO ALL THIRD PARTIES.

UNCONTROLLED DOCUMENT

DATE:	05.16.11	DRAWN BY:	AB
PAGE:	1 OF 2	CHKD BY:	KF
SCALE:	NTS	APRVD BY:	SS
UNIT:	mm [INCH]		

PART NUMBER		SML-LXR851GC-TR		REV.	D
E.C.N. NUMBER AND REVISION COMMENTS					
DATE	07.18.00	E.C.N. #	10644.	REV.	A
	09.07.04	E.C.N. #	10967.		B
	12.13.07	E.C.N. #	11148		C
	05.16.11	E.C.N. #	11710/10BRDR. & REDRAWN.		D



- NOTES:
1. 2,000 PER REEL.
 2. THE CATHODE IS ORIENTED TOWARDS THE TAPE SPROCKET HOLE.

HELEN ROAD
 E. I. L. 60067-6976
 +1.847.359.2790
 WWW.LUMEX.COM

1.0x3.0mm PCB RIGHT ANGLE SURFACE MOUNT LED, 565nm GREEN, WATER CLEAR LENS, TAPE & REEL.
 THE SPECIFICATIONS MAY CHANGE AT ANY TIME WITHOUT NOTICE DUE TO NEW MATERIALS OR PRODUCT IMPROVEMENT
 CONFIDENTIAL INFORMATION
 THE INFORMATION CONTAINED IN THIS DOCUMENT IS THE PROPERTY OF LUMEX INC. EXCEPT AS SPECIFICALLY AUTHORIZED IN WRITING BY LUMEX INC., THE HOLDER OF THIS DOCUMENT SHALL KEEP ALL INFORMATION CONTAINED HEREIN CONFIDENTIAL AND SHALL PROTECT SAME IN WHOLE OR IN PART FROM DISCLOSURE AND DISSEMINATION TO ALL THIRD PARTIES.

UNCONTROLLED DOCUMENT

DATE:	05.16.11	DRAWN BY:	AB
PAGE:	2 OF 2	CHKD BY:	KF
SCALE:	NTS	APRVD BY:	SS
UNIT:	mm [INCH]		

Looking for pricing, stock, or lifecycle information?

Click below to explore more details on WIN SOURCE:

- ⊖ [View SML-LXR851GC-TR on WIN SOURCE](#)
- ⊖ [Lumex Opto/Components Inc. Information](#)

Optimize Your Supply Chain with WIN SOURCE Solutions

- ✓ Global Sourcing Solution
- ✓ Obsolete Management
- ✓ Cost Control Management
- ✓ Shortage Management
- ✓ Alternative Solution
- ✓ Excess Inventory Management