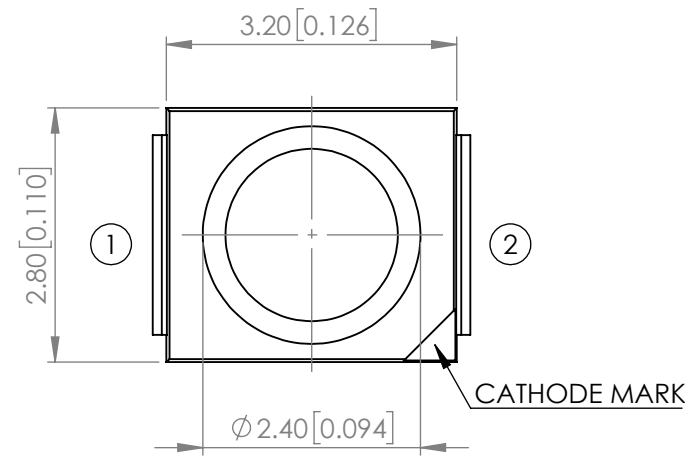




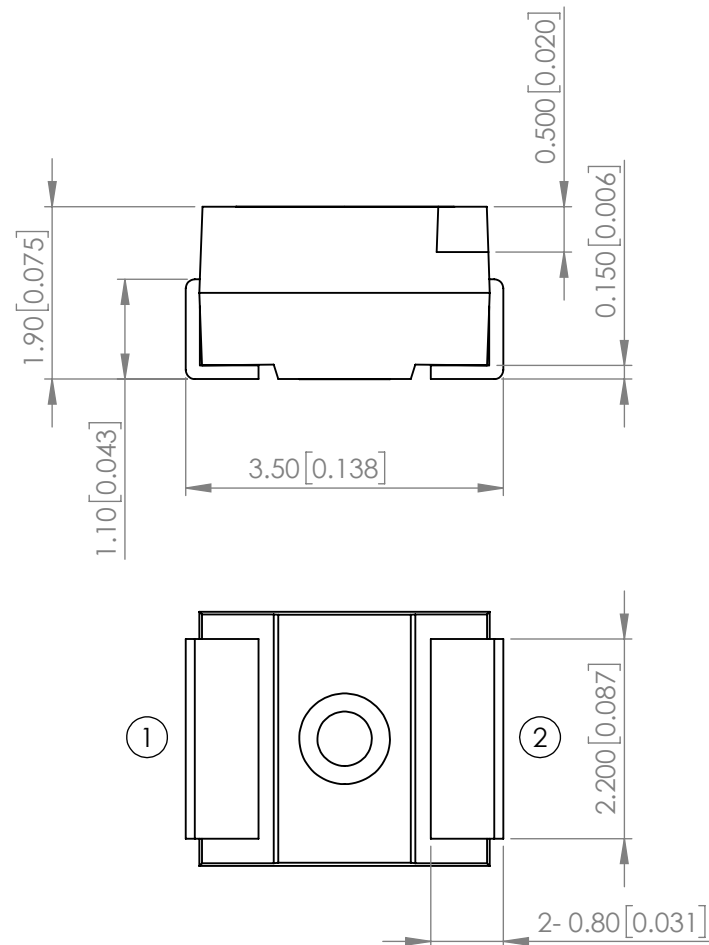
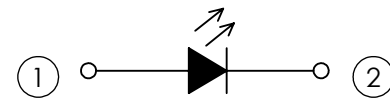
**THE DATASHEET OF
SML-LX2832SGC-TR**



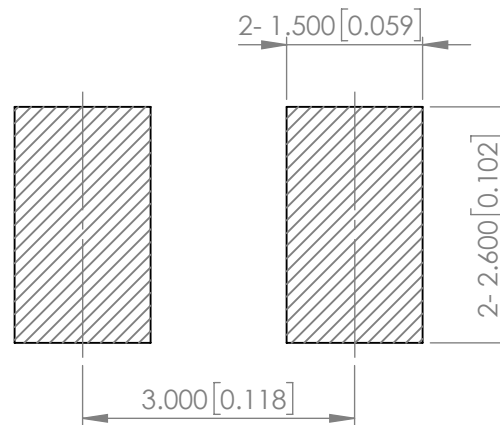
| | | | |
|--------------------|---|-------------|---|
| PART NUMBER | SML-LX2832SGC-TR | REV | F |
| REV | E.C.N NUMBER AND REVISION COMMENTS | DATE | |
| A | E.C.N. #10967. | 03.14.03 | |
| B | E.C.N. #11148. | 02.08.05 | |
| C | E.C.N. #11450. | 10.17.07 | |
| D | E.C.N. #11627. | 05.05.10 | |
| E | E.C.N. #10BRDR. & REDRAWN/#11812 | 04.11.12 | |
| F | ECN-Lumex202100069 | 12.13.21 | |



POLARITY



RECOMMENDED SOLDER PAD LAYOUT



ELECTRO-OPTICAL CHARACTERISTIC TA=25°C

| PARAMETER | MIN | TYP | MAX | UNITS | TEST COND |
|--------------------|-------------|-----|-----|-------------|-----------|
| PEAK WAVELENGTH | - | 575 | - | nm | If=20mA |
| FORWARD VOLTAGE | - | 2.1 | 2.4 | Vf | If=20mA |
| REVERSE CURRENT | - | - | 10 | uA | VR=5V |
| LUMINOUS INTENSITY | - | 72 | - | mcd | If=20mA |
| VIEWING ANGLE | - | 120 | - | 2x theta1/2 | - |
| EMITTED COLOR | GREEN | | | | |
| EPOXY LENS FINISH | WATER CLEAR | | | | |

ABSOLUTE MAXIMUM RATINGS TA=25°C

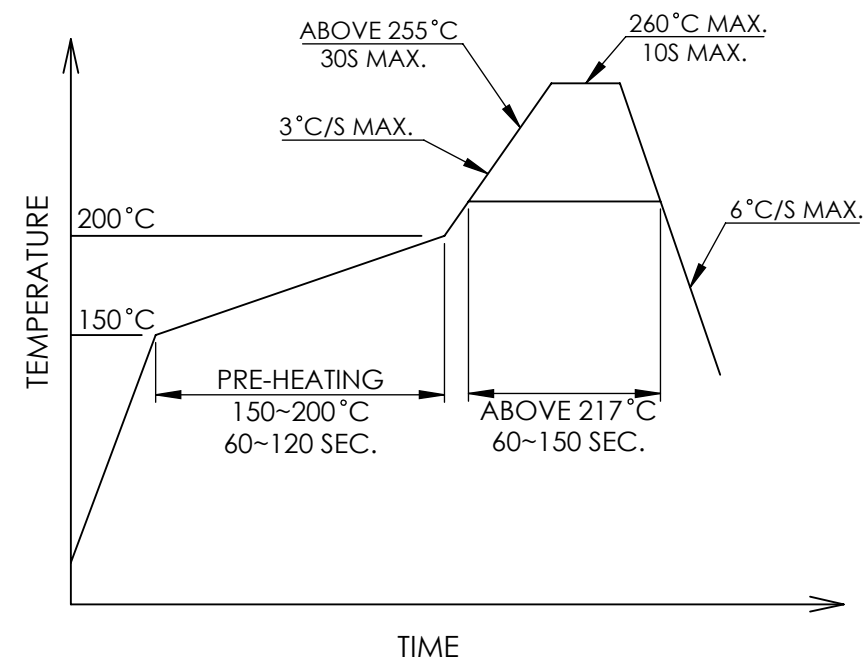
| PARAMETER | MAX | UNITS |
|-----------------------|------------|-------|
| PEAK FORWARD CURRENT* | 60 | mA |
| FORWARD CURRENT | 25 | mA |
| REVERSE VOLTAGE | 5 | V |
| POWER DISSIPATION | 60 | mW |
| STORAGE TEMPERATURE | -40 TO +90 | °C |
| OPERATING TEMPERATURE | -40 TO +85 | °C |

* 1/10 DUTY CYCLE 0.1ms PULSE.

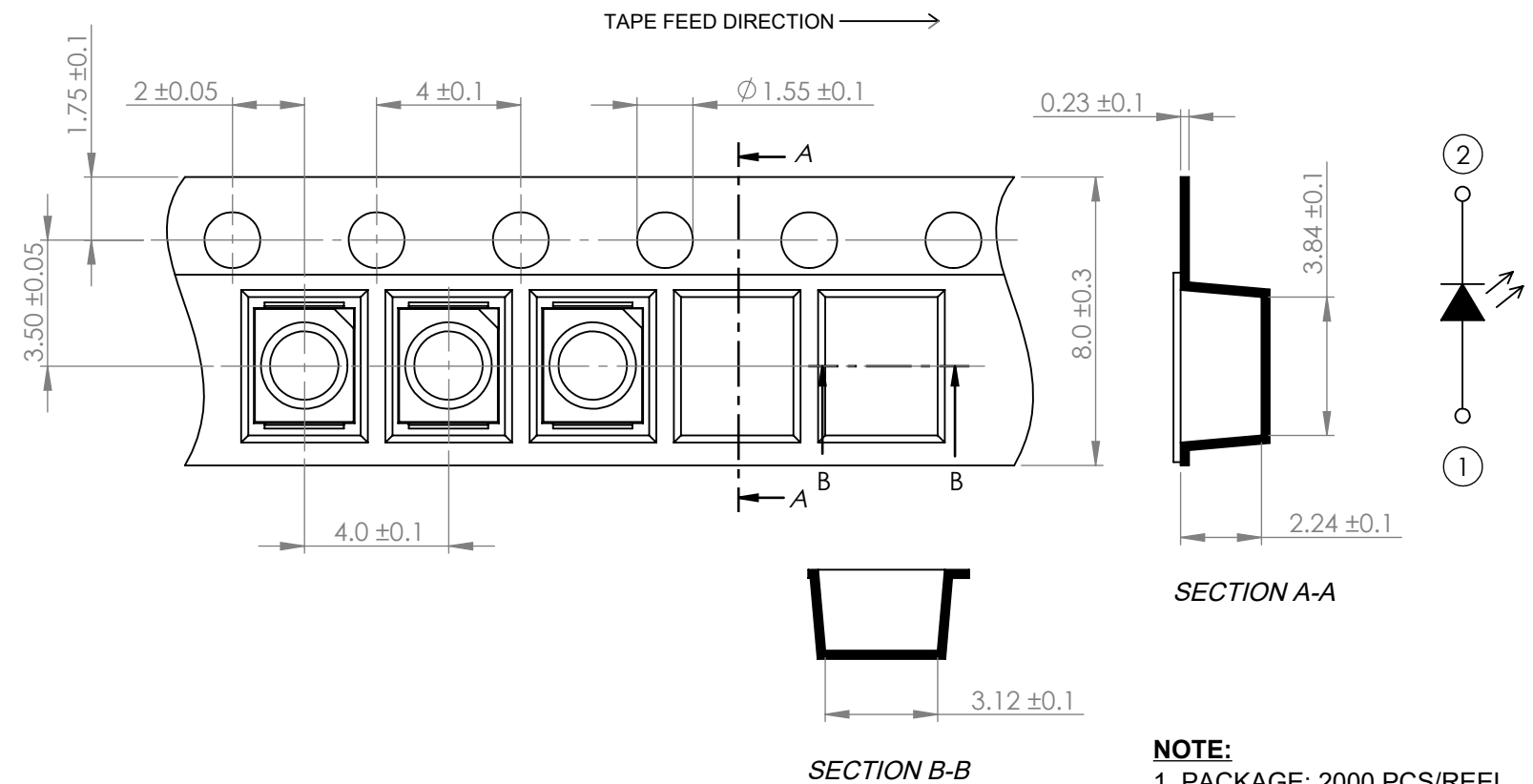
MOISTURE SENSITIVE DEVICE
PER JEDEC LEVEL 3 STANDARDS

*UNLESS OTHERWISE SPECIFIED TOLERANCES PER DECIMAL PRECISION ARE: X=±1 (±0.039), X.X=±0.5 (±0.020), X.XX=±0.25 (±0.010), X.XXX=±0.127 (±0.005). LEAD SIZE=±0.05 (±0.002), LEAD LENGTH=±0.75 (±0.030). MIN= ^{+DECIMAL PRECISION}/_{-0.00} MAX= ^{+0.00}/_{-DECIMAL PRECISION}

PROFILE




CARRIER TAPE DIMENSION



NOTE:
1. PACKAGE: 2000 PCS/REEL.

*UNLESS OTHERWISE SPECIFIED TOLERANCES PER DECIMAL PRECISION ARE: X=±1 (±0.039), X.X=±0.5 (±0.020), X.XX=±0.25 (±0.010), X.XXX=±0.127 (±0.005). LEAD SIZE=±0.05 (±0.002), LEAD LENGTH=±0.75 (±0.030). MIN= ^{+DECIMAL PRECISION} / _{-0.00} MAX= ^{+0.00} / _{-DECIMAL PRECISION}

| | | | | |
|---|---|--|-------------------|-----------------|
|  <p>425 N. GARY AVE. CAROL STREAM, IL 60188 PHONE : 800-278-5666 FAX : 630-315-2150 WEB : WWW.LUMEX.COM</p> | 3.2(L)*2.8(W)*1.9(H)mm, SURFACE MOUNT TOP VIEW LED, 575nm GREEN, WATER CLEAR LENS, TAPE & REEL. | | DATE : 2021.12.10 | DRAWN BY : C.C. |
| | **THE SPECIFICATIONS MAY CHANGE AT ANY TIME WITHOUT NOTICE.** | | PAGE : 2 OF 2 | CHKD BY : E.C. |
| | CONFIDENTIAL INFORMATION THE INFORMATION CONTAINED IN THIS DOCUMENT IS THE PROPERTY OF LUMEX INC. EXCEPT AS SPECIFICALLY AUTHORIZED IN WRITING BY LUMEX INC., THE HOLDER OF THIS DOCUMENT SHALL KEEP ALL INFORMATION CONTAINED HEREIN CONFIDENTIAL AND SHALL PROTECT SAME IN WHOLE OR IN PART FROM DISCLOSURE AND DISSEMINATION TO ALL THIRD PARTIES. | | SCALE : NTF | APRVD BY : G.Y. |
| | | | UNIT : mm [INCH] | (No) |

Looking for pricing, stock, or lifecycle information?

Click below to explore more details on WIN SOURCE:

- ⊖ [View SML-LX2832SGC-TR on WIN SOURCE](#)
- ⊖ [Lumex Opto/Components Inc. Information](#)

Optimize Your Supply Chain with WIN SOURCE Solutions

- ✓ Global Sourcing Solution
- ✓ Obsolete Management
- ✓ Cost Control Management
- ✓ Shortage Management
- ✓ Alternative Solution
- ✓ Excess Inventory Management