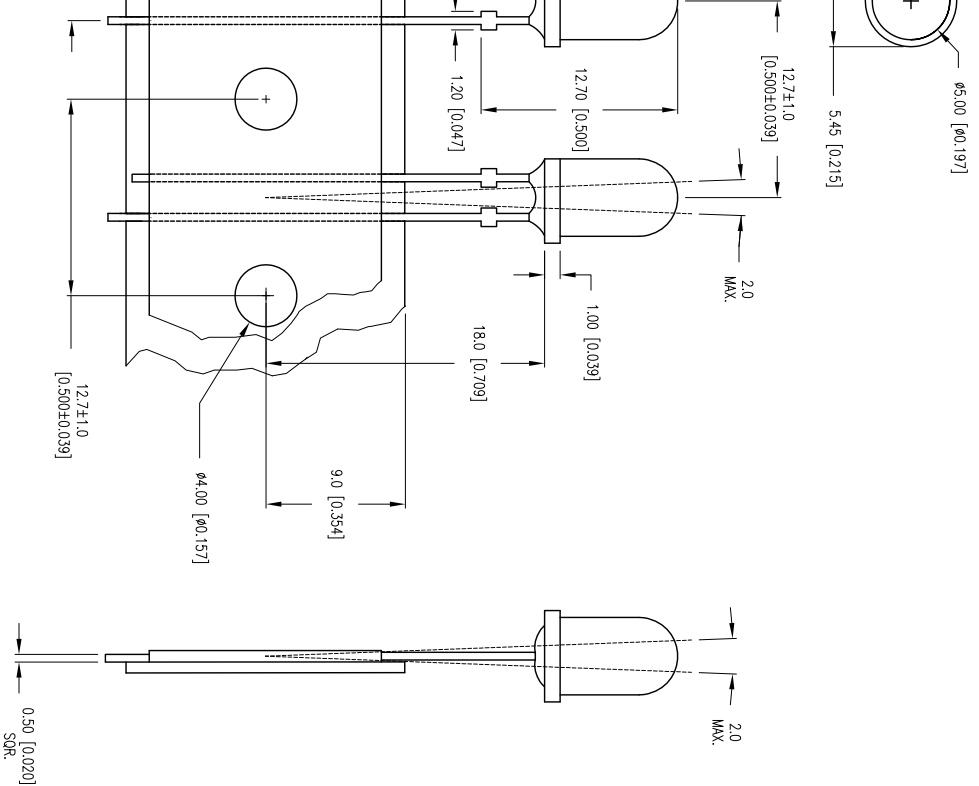




PART NUMBER

SSL-LX50931D-125TR

REV. --



ELECTRO-OPTICAL CHARACTERISTICS  $T_c=25^{\circ}\text{C}$   $I_f=20\text{mA}$

PARAMETER	MIN	TYP	MAX	UNITS	TEST COND
PEAK WAVELENGTH		635		nm	
FORWARD VOLTAGE		2.0	2.5	Vf	$I_f=100\mu\text{A}$
REVERSE VOLTAGE	5.0			Vr	
AXIAL INTENSITY		40		md	$I_f=20\text{mA}$
VIEWING ANGLE		60		$2\theta$	theta
EMITTED COLOR:		RED			
LENS FINISH:		RED DIFFUSED			

## LIMITS OF SAFE OPERATION AT 25°C

PARAMETER	MAX	UNITS
PEAK FORWARD CURRENT*	150	mA
STEADY CURRENT	30	mA
POWER DISSIPATION	105	mW
DERATE FROM 25°C	-1.2	mW/°C
OPERATE FROM 25°C	-40 TO +85	°C
OPERATING TEMP.	-40 TO +85	°C
STORAGE TEMP.	-40 TO +85	°C
SOLDERING TEMP.	+280	°C
2.0mm FROM BODY	3	SEC.

\*  $t < 10\mu\text{s}$

Y-Axis: (+0.039), X-X=+0.5 (+0.020), X-XX=+0.25 (+0.010), XXX=+0.127 (+0.005), LEAD SIZE=+0.05 (+0.002), LEAD LENGTH=+0.75 (+0.030), MIN= -0.00 DECMAL PRECISION MAX.= +0.00 DECMAL PRECISION

TAP FEED DIRECTION

QUASABRITE T-5mm (T-1 3/4) 635nm RED LED, RED DIFFUSED LENS, TAPE AND REEL.

\*\*THE SPECIFICATIONS MAY CHANGE AT ANY TIME WITHOUT NOTICE DUE TO NEW MATERIALS OR PRODUCT IMPROVEMENT.\*\*

CONFIDENTIAL INFORMATION

THE INFORMATION CONTAINED IN THIS DOCUMENT IS THE PROPERTY OF LUXEY INC. EXCEPT AS SPECIFICALLY AUTHORIZED IN WRITING BY LUXEY INC., THE HOLDER OF THIS DOCUMENT SHALL KEEP ALL INFORMATION CONTAINED HEREIN CONFIDENTIAL AND SHALL PROTECT SAME IN WHOLE OR IN PART FROM DISCLOSURE AND DISSEMINATION TO ALL THIRD PARTIES.



Y-Axis: (+0.039), X-X=+0.5 (+0.020), X-XX=+0.25 (+0.010), XXX=+0.127 (+0.005), LEAD SIZE=+0.05 (+0.002), LEAD LENGTH=+0.75 (+0.030), MIN= -0.00 DECMAL PRECISION MAX.= +0.00 DECMAL PRECISION  
 QUA L 60188-4900  
 800.278.3666  
 3.15.2152  
 LUXEY.COM  
 /TW PHOTONICS GROUP

UNCONTROLLED DOCUMENT

DATE:	11.16.11	DRAWN BY:	AB
PAGE:	1 OF 1	CHKD BY:	KF
SCALE:	NTS	APRVD BY:	SS
UNIT:	mm [INCH]		

## Looking for pricing, stock, or lifecycle information?

Click below to explore more details on WIN SOURCE:

-  [View SSL-LX5093ID-125TR on WIN SOURCE](#)
-  [Lumex Opto/Components Inc. Information](#)

## Optimize Your Supply Chain with WIN SOURCE Solutions

-  Global Sourcing Solution
-  Obsolete Management
-  Cost Control Management
-  Shortage Management
-  Alternative Solution
-  Excess Inventory Management