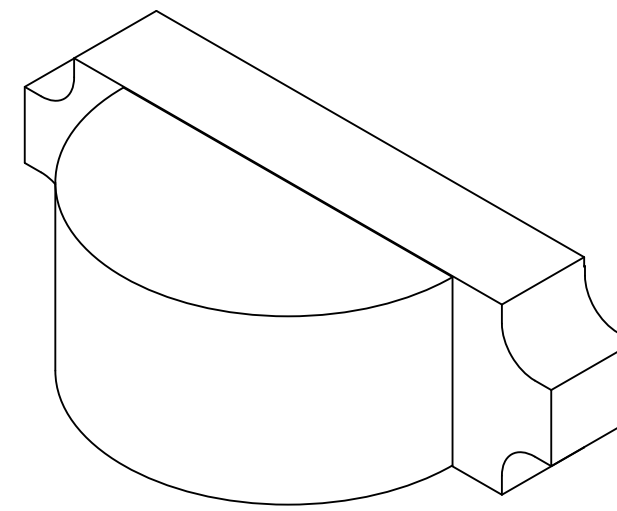
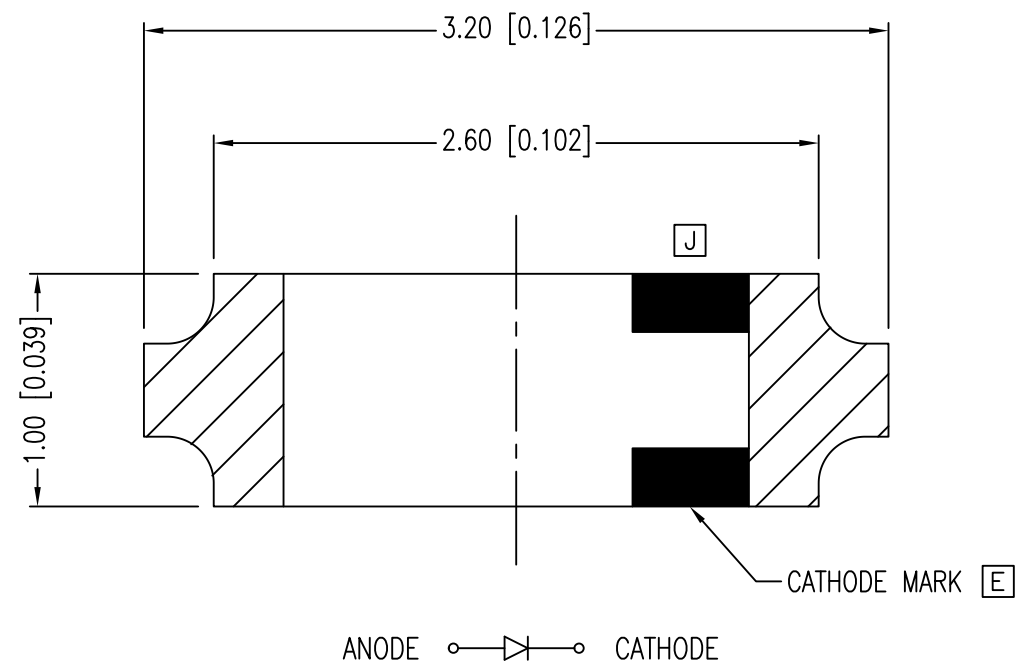




**THE DATASHEET OF
SML-LXR85SRC-TR**

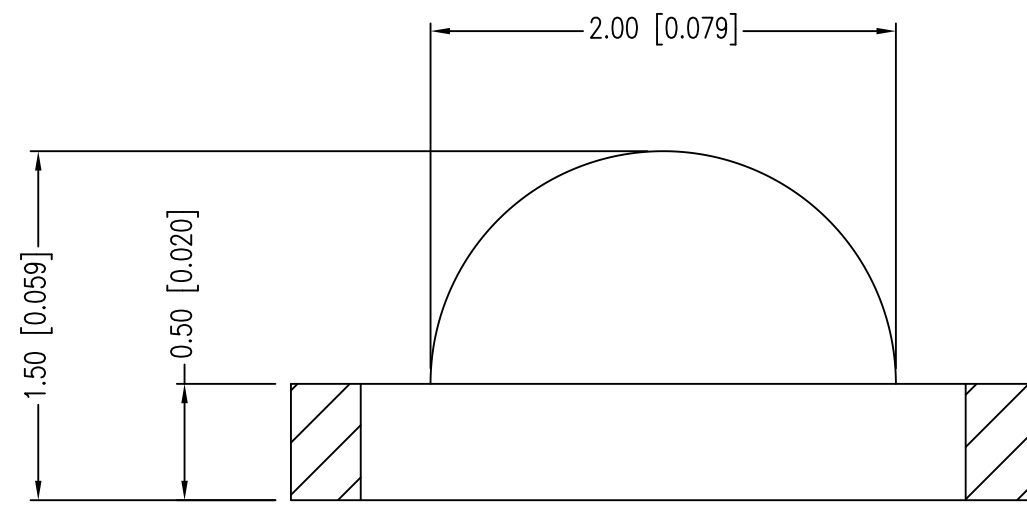


| | | | |
|-------------|-------------------------------------|------|------|
| PART NUMBER | SML-LXR85SRC-TR | REV. | M |
| DATE | E.C.N. NUMBER AND REVISION COMMENTS | | REV. |
| 08.23.96 | E.C.N. #10230. | | A |
| 10.24.96 | E.C.N. #10263 | | B |
| 05.02.97 | E.C.N. #10338. | | C |
| 07.22.97 | E.C.N. #10366. | | D |
| 09.19.97 | E.C.N. #10380. | | E |
| 10.15.97 | E.C.N. #10BRDR. & REDRAWN. | | F |
| 03.05.98 | E.C.N. #10419. | | G |
| 10.23.98 | E.C.N. #10471. | | H |
| 07.18.00 | E.C.N. #10644. | | I |
| 07.30.01 | E.C.N. #10BRDR. & #10771. | | J |
| 08.12.05 | E.C.N. #11248. | | K |
| 03.18.11 | E.C.N. #10BRDR. & REDRAWN/ #11704. | | L |
| 12.06.19 | ECN-Lumex201900133 | | M |



ELECTRO-OPTICAL CHARACTERISTICS TA =25°C If=20mA

| PARAMETER | MIN | TYP. | MAX | UNITS | TEST COND |
|--------------------|-------------|------|-----|----------|-----------|
| PEAK WAVELENGTH | | 660 | | nm | |
| FORWARD VOLTAGE | | 1.7 | 2.2 | Vf | |
| REVERSE VOLTAGE | 5.0 | | | Vr | Ir=100µA |
| AXIAL INTENSITY | | 30 | | mcd | If=20mA |
| VIEWING ANGLE | | 160 | | 2x theta | |
| EMITTED COLOR: | RED | | | | |
| EPOXY LENS FINISH: | WATER CLEAR | | | | |



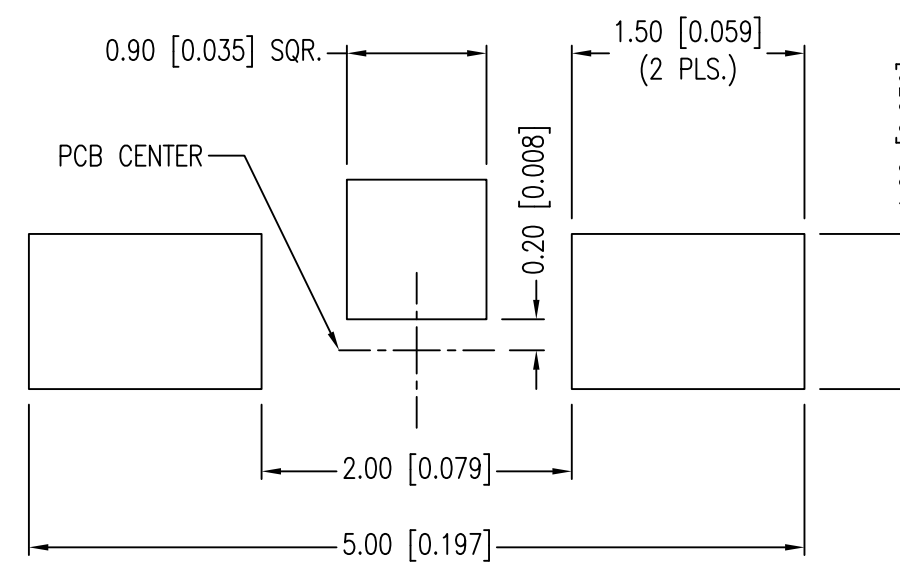
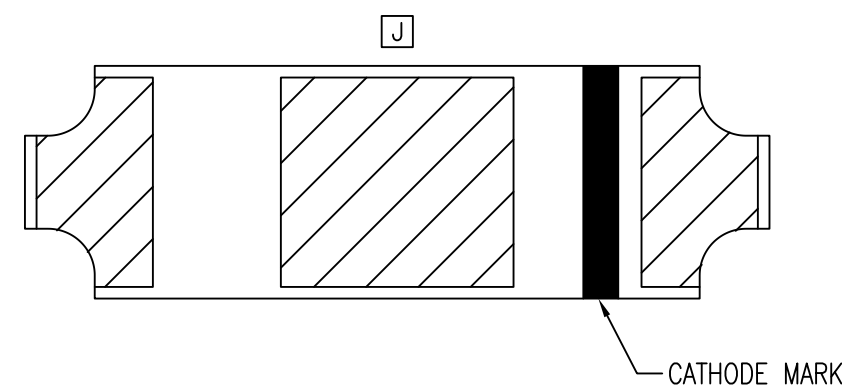
[I] LIMITS OF SAFE OPERATION AT 25°C

| PARAMETER | MAX | UNITS |
|-----------------------|------------|-------|
| PEAK FORWARD CURRENT* | 100 | mA |
| STEADY CURRENT | 30 | mA |
| POWER DISSIPATION | 80 | mW |
| DERATE FROM 25°C | -1.2 | mW/°C |
| OPERATING TEMP. | -25 TO +85 | °C |
| STORAGE TEMP. | -30 TO +85 | °C |

* t<10µs

[M] [L] CAUTION: MOISTURE SENSITIVE DEVICE
PER JEDEC LEVEL 2a STANDARDS

[H] RECOMMENDED SOLDER PAD LAYOUT



*UNLESS OTHERWISE SPECIFIED TOLERANCES PER DECIMAL PRECISION ARE: X=±1 (±0.039), X.X=±0.5 (±0.020), X.XX=±0.25 (±0.010), X.XXX=±0.127 (±0.005). LEAD SIZE=±0.05 (±0.002), LEAD LENGTH=±0.75 (±0.030). MIN.= +DECIMAL PRECISION -0.00 MAX.= +0.00 -DECIMAL PRECISION



425 N. GARY AVE.
CAROL STREAM, IL 60188
PHONE: 800-278-5666
FAX: 630-315-2150
WEB: WWW.LUMEX.COM

0.5mm x 3.2mm PCB, RIGHT ANGLE SURFACE MOUNT LED, 660nm RED, WATER CLEAR LENS, 3K PER REEL.

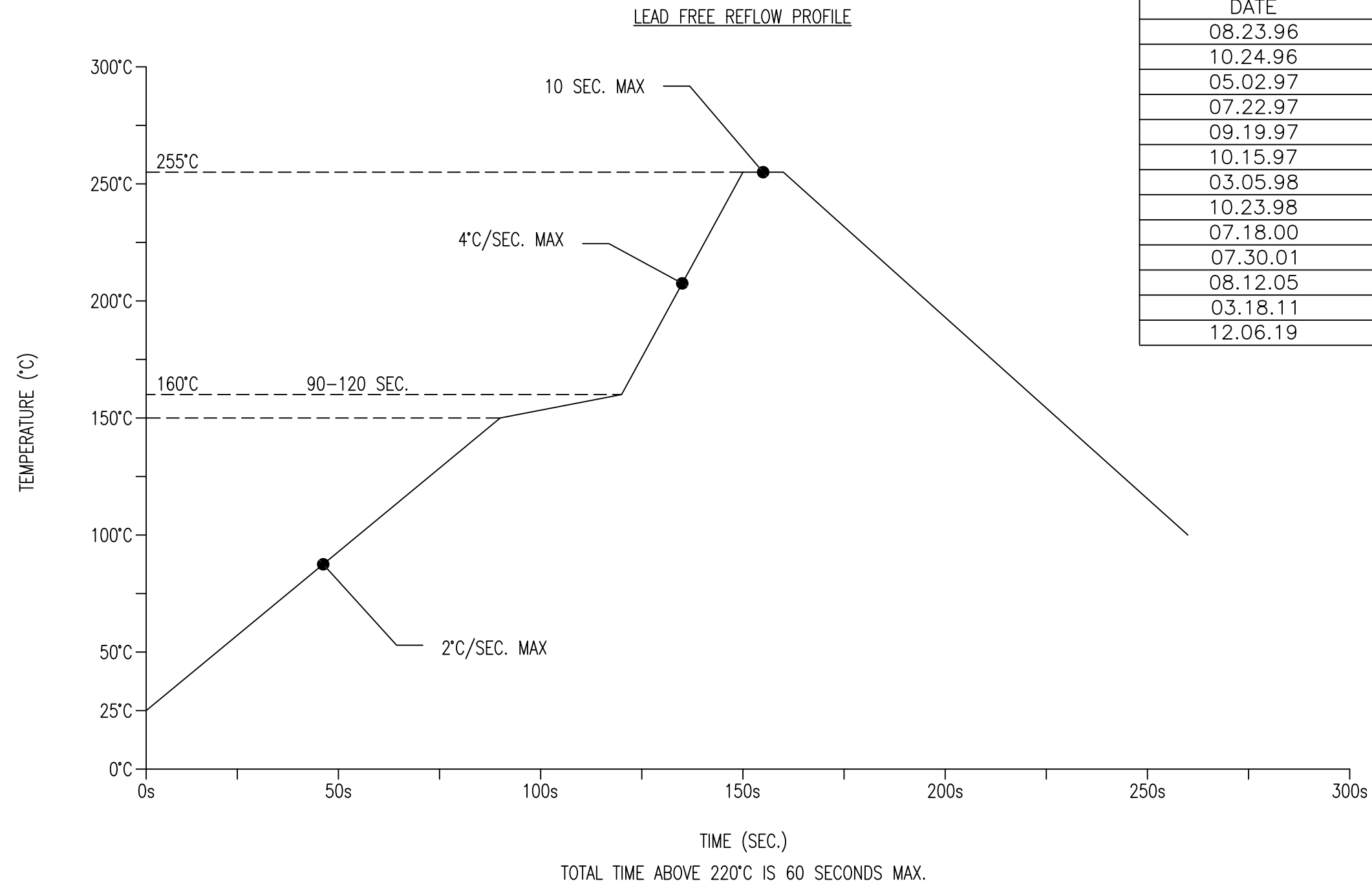
THE SPECIFICATIONS MAY CHANGE AT ANY TIME WITHOUT NOTICE.

CONFIDENTIAL INFORMATION

THE INFORMATION CONTAINED IN THIS DOCUMENT IS THE PROPERTY OF LUMEX INC. EXCEPT AS SPECIFICALLY AUTHORIZED IN WRITING BY LUMEX INC., THE HOLDER OF THIS DOCUMENT SHALL KEEP ALL INFORMATION CONTAINED HEREIN CONFIDENTIAL AND SHALL PROTECT SAME IN WHOLE OR IN PART FROM DISCLOSURE AND DISSEMINATION TO ALL THIRD PARTIES.

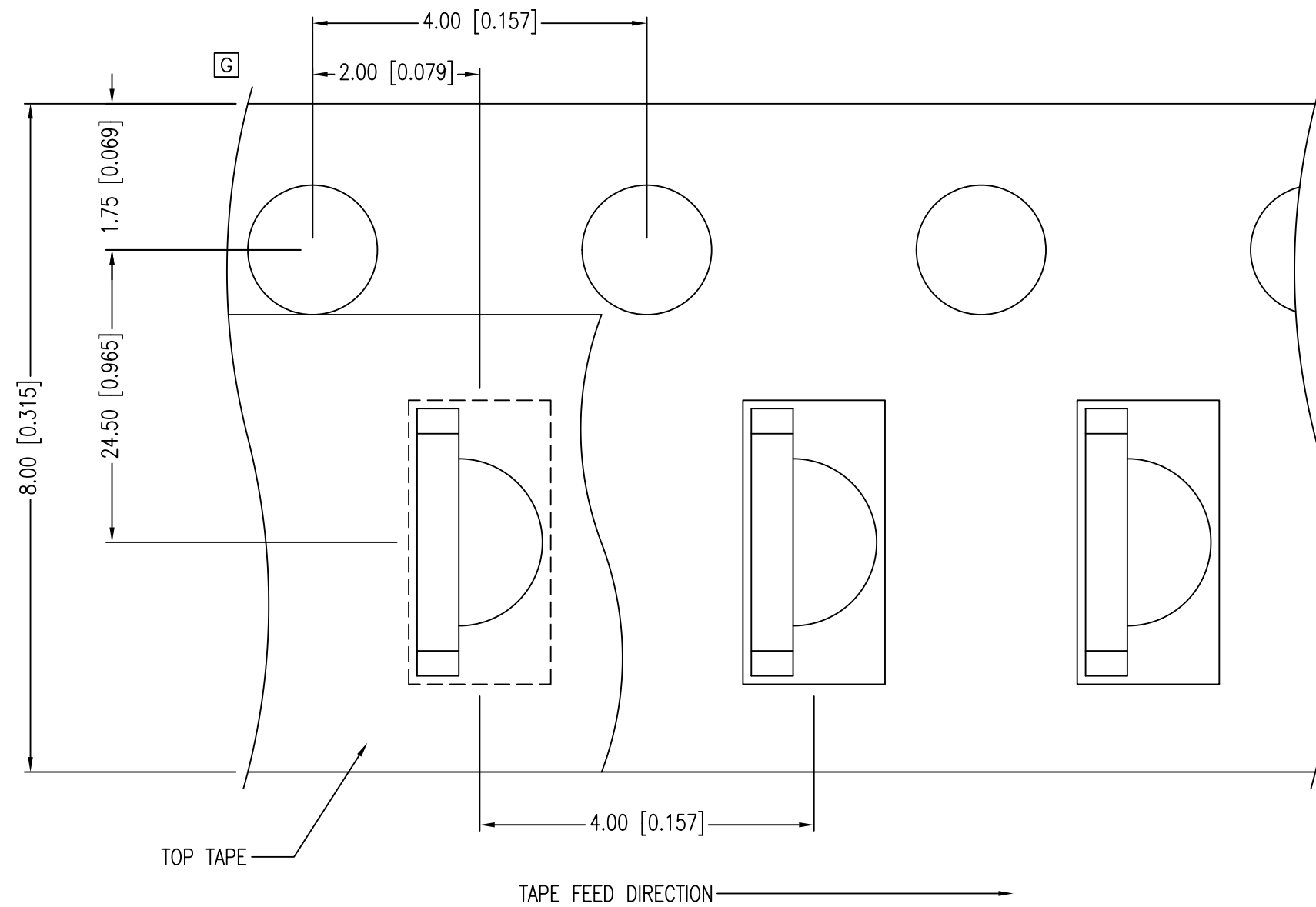
| | | | |
|--------|-----------|-----------|------|
| DATE: | 12.06.19 | DRAWN BY: | C.S. |
| PAGE: | 1 OF 2 | CHKD BY: | E.C. |
| SCALE: | NTS | APRVD BY: | G.Y. |
| UNIT: | mm [INCH] | | (Rb) |

| PART NUMBER | SML-LXR85SRC-TR | REV. | M |
|-------------|-------------------------------------|------|---|
| DATE | E.C.N. NUMBER AND REVISION COMMENTS | REV. | |
| 08.23.96 | E.C.N. #10230. | A | |
| 10.24.96 | E.C.N. #10263 | B | |
| 05.02.97 | E.C.N. #10338. | C | |
| 07.22.97 | E.C.N. #10366. | D | |
| 09.19.97 | E.C.N. #10380. | E | |
| 10.15.97 | E.C.N. #10BRDR. & REDRAWN. | F | |
| 03.05.98 | E.C.N. #10419. | G | |
| 10.23.98 | E.C.N. #10471. | H | |
| 07.18.00 | E.C.N. #10644. | I | |
| 07.30.01 | E.C.N. #10BRDR. & #10771. | J | |
| 08.12.05 | E.C.N. #11248. | K | |
| 03.18.11 | E.C.N. #10BRDR. & REDRAWN/ #11704. | L | |
| 12.06.19 | ECN-Lumex201900133 | M | |



NOTES:

- 3,000 PIECES PER REEL.
- THE CATHODE IS ORIENTED TOWARDS THE TAPE SPROCKET HOLE.



*UNLESS OTHERWISE SPECIFIED TOLERANCES PER DECIMAL PRECISION ARE: X=±1 (±0.039), X.X=±0.5 (±0.020), X.XX=±0.25 (±0.010), X.XXX=±0.127 (±0.005). LEAD SIZE=±0.05 (±0.002), LEAD LENGTH=±0.75 (±0.030). MIN= +DECIMAL PRECISION -0.00 MAX.= +0.00 -DECIMAL PRECISION



425 N. GARY AVE.
 CAROL STREAM, IL 60188
 PHONE: 800-278-5666
 FAX: 630-315-2150
 WEB: WWW.LUMEX.COM

0.5mm x 3.2mm PCB, RIGHT ANGLE SURFACE MOUNT LED, 660nm RED, WATER CLEAR LENS, 3K PER REEL.

THE SPECIFICATIONS MAY CHANGE AT ANY TIME WITHOUT NOTICE.

CONFIDENTIAL INFORMATION

THE INFORMATION CONTAINED IN THIS DOCUMENT IS THE PROPERTY OF LUMEX INC. EXCEPT AS SPECIFICALLY AUTHORIZED IN WRITING BY LUMEX INC., THE HOLDER OF THIS DOCUMENT SHALL KEEP ALL INFORMATION CONTAINED HEREIN CONFIDENTIAL AND SHALL PROTECT SAME IN WHOLE OR IN PART FROM DISCLOSURE AND DISSEMINATION TO ALL THIRD PARTIES.

| | | | |
|--------|-----------|-----------|------|
| DATE: | 12.06.19 | DRAWN BY: | C.S. |
| PAGE: | 2 OF 2 | CHKD BY: | E.C. |
| SCALE: | NTS | APRVD BY: | G.Y. |
| UNIT: | mm [INCH] | | (Rb) |

Looking for pricing, stock, or lifecycle information?

Click below to explore more details on WIN SOURCE:

- ⊖ [View SML-LXR85SRC-TR on WIN SOURCE](#)
- ⊖ [Lumex Opto/Components Inc. Information](#)

Optimize Your Supply Chain with WIN SOURCE Solutions

- ✓ Global Sourcing Solution
- ✓ Obsolete Management
- ✓ Cost Control Management
- ✓ Shortage Management
- ✓ Alternative Solution
- ✓ Excess Inventory Management