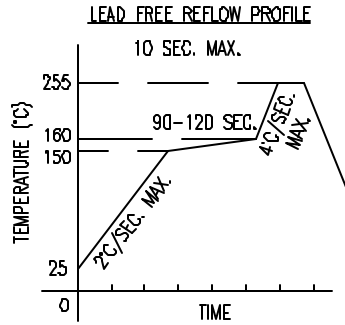
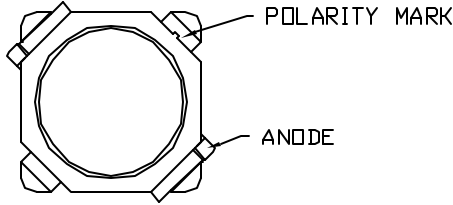
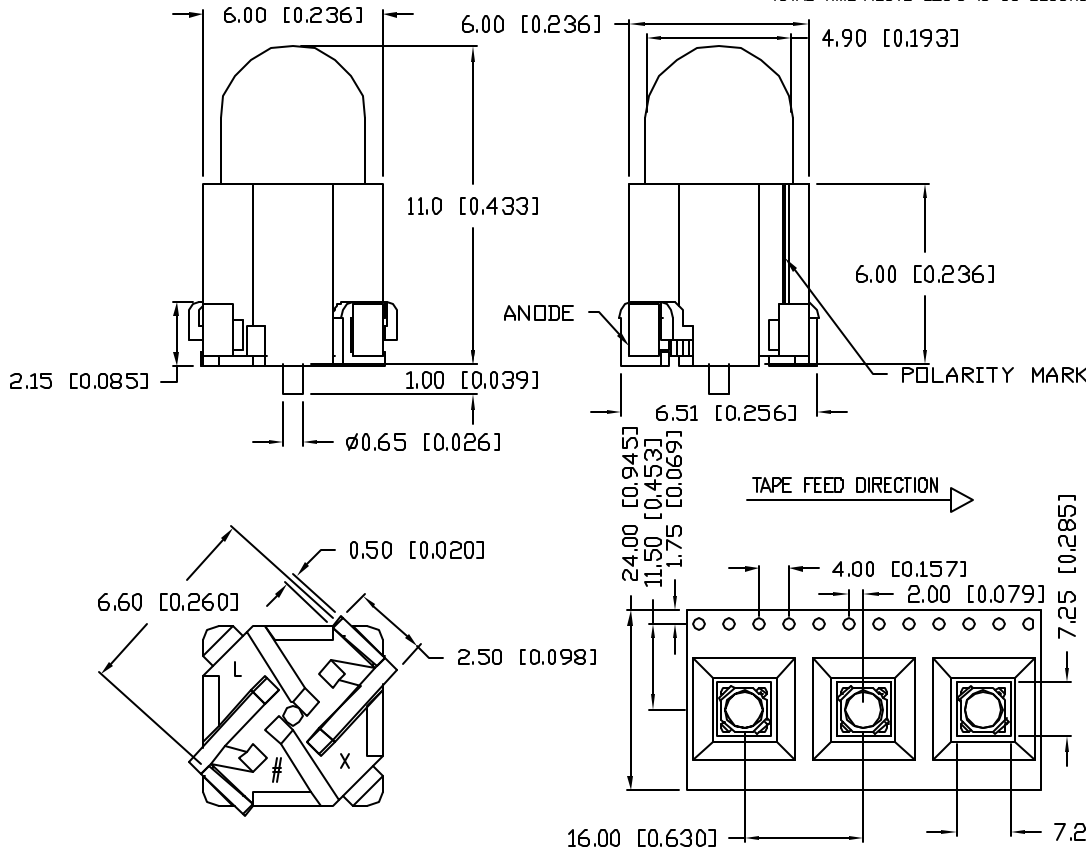




\* PATENT PENDING



TOTAL TIME ABOVE 220°C IS 60 SECONDS MAX.



PART NUMBER  
SML-H1505SYC-TR

REV.

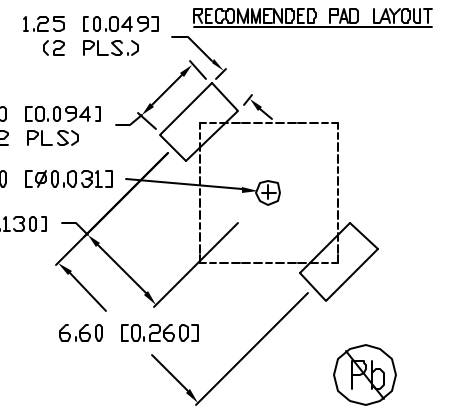
ELECTRO-OPTICAL CHARACTERISTICS  $T_A=25^\circ\text{C}$   $I_f=20\text{mA}$

| PARAMETER          | MIN         | TYP | MAX | UNITS          | TEST COND            |
|--------------------|-------------|-----|-----|----------------|----------------------|
| PEAK WAVELENGTH    |             | 590 |     | nm             |                      |
| FORWARD VOLTAGE    |             | 2.0 | 2.5 | V <sub>f</sub> |                      |
| REVERSE VOLTAGE    | 5.0         |     |     | V <sub>r</sub> | $I_f=100\mu\text{A}$ |
| AXIAL INTENSITY    |             | 750 |     | mcd            | $I_f=20\text{mA}$    |
| VIEWING ANGLE      |             | 60  |     | 2x theta       |                      |
| EMITTED COLOR:     | YELLOW      |     |     |                |                      |
| EPOXY LENS FINISH: | WATER CLEAR |     |     |                |                      |

LIMITS OF SAFE OPERATION AT 25°C PER DIE

| PARAMETER             | MAX         | UNITS |
|-----------------------|-------------|-------|
| PEAK FORWARD CURRENT* | 100         | mA    |
| STEADY CURRENT        | 30          | mA    |
| POWER DISSIPATION     | 90          | mW    |
| DERATE FROM 25°C      | -1.2        | mW/°C |
| OPERATING TEMP.       | -30 TO +80  | °C    |
| STORAGE TEMP.         | -40 TO +100 | °C    |
| SOLDERING TEMP.       | +260        | °C    |
| 2.0mm FROM BODY       | 5 SEC. MAX  |       |
| * $T < 10\mu\text{s}$ |             |       |

NOTE:  
1. CATHODE IS ORIENTED TOWARDS THE TAPE SPROCKET HOLES.



UNCONTROLLED DOCUMENT

\*UNLESS OTHERWISE SPECIFIED TOLERANCES PER DECIMAL PRECISION ARE: X=±1 (±0.039), XX=±0.5 (±0.020), XXX=±0.25 (±0.010), XXXX=±0.127 (±0.005), LEAD SIZE=±0.05 (±0.002), LEAD LENGTH=±0.75 (±0.030). MIN.= +DECIMAL PRECISION -0.00 MAX.= +0.00 -DECIMAL PRECISION

|      |                 |
|------|-----------------|
| REV. | PART NUMBER     |
|      | SML-H1505SYC-TR |

**CONFIDENTIAL INFORMATION**  
THE INFORMATION CONTAINED IN THIS DOCUMENT IS THE PROPERTY OF LUMEX INC. EXCEPT AS SPECIFICALLY AUTHORIZED IN WRITING BY LUMEX INC., THE HOLDER OF THIS DOCUMENT SHALL KEEP ALL INFORMATION CONTAINED HEREIN CONFIDENTIAL AND SHALL PROTECT SAME IN WHOLE OR IN PART FROM DISCLOSURE AND DISSEMINATION TO ALL THIRD PARTIES.



290 E. HELEN ROAD  
PALATINE, IL 60067-6976  
PHONE: +1.847.359.2790  
US WEB: www.lumex.com  
TW WEB: www.lumex.com.tw

5mm SURFACE MOUNTED DOME LED,  
590nm SUPER YELLOW LED, WATER CLEAR.

**RELIABILITY NOTE**  
OUR MANY YEARS OF EXPERIENCE DATA ACCUMULATION INDICATE THAT SOLDER HEAT IS A MAJOR CAUSE OF EARLY AND FUTURE FAILURE. PLEASE PAY ATTENTION TO YOUR SOLDERING PROCESS.

|                  |             |              |                |
|------------------|-------------|--------------|----------------|
| DRAWN BY:<br>JIN | CHECKED BY: | APPROVED BY: | DATE: 03.31.08 |
|                  |             |              | PAGE: 1 OF 1   |
|                  |             |              | SCALE: N/A     |

## Looking for pricing, stock, or lifecycle information?

Click below to explore more details on WIN SOURCE:

- ⊖ [View SML-H1505SYC-TR on WIN SOURCE](#)
- ⊖ [Lumex Opto/Components Inc. Information](#)

## Optimize Your Supply Chain with WIN SOURCE Solutions

- ✓ Global Sourcing Solution
- ✓ Obsolete Management
- ✓ Cost Control Management
- ✓ Shortage Management
- ✓ Alternative Solution
- ✓ Excess Inventory Management