



**THE DATASHEET OF  
SPMWH3228FD5WAQ0SC**



Middle Power LED Series  
2835 0.5W Room Temp Zener In

# LM281BZ+

RKrank



Designed for better lm/\$ (Ambient, Linear)

#### Features & Benefits

- 0.5W Class mid power LED
- Standard form factor for design flexibility (2.8 × 3.5 mm)



## Table of Contents

|     |                                     |       |    |
|-----|-------------------------------------|-------|----|
| 1.  | Characteristics                     | ----- | 3  |
| 2.  | Product Code Information            | ----- | 6  |
| 3.  | Typical Characteristics Graphs      | ----- | 21 |
| 4.  | Outline Drawing & Dimension         | ----- | 26 |
| 5.  | Reliability Test Items & Conditions | ----- | 27 |
| 6.  | Soldering Conditions                | ----- | 28 |
| 7.  | Tape & Reel                         | ----- | 29 |
| 8.  | Label Structure                     | ----- | 32 |
| 9.  | Packing Structure                   | ----- | 33 |
| 10. | Precautions in Handling & Use       | ----- | 37 |

## 1. Characteristics

### a) Absolute Maximum Rating

| Item                            | Symbol    | Rating     | Unit    | Condition                   |
|---------------------------------|-----------|------------|---------|-----------------------------|
| Ambient / Operating Temperature | $T_a$     | -40 ~ +85  | °C      | -                           |
| Storage Temperature             | $T_{stg}$ | -40 ~ +85  | °C      | -                           |
| LED Junction Temperature        | $T_j$     | 115        | °C      | -                           |
| Forward Current                 | $I_F$     | 200        | mA      | -                           |
| Peak Pulsed Forward Current     | $I_{FP}$  | 300        | mA      | Duty 1/10, pulse width 10ms |
| Assembly Process Temperature    | -         | 260<br><10 | °C<br>s | -                           |
| ESD (HBM)                       | -         | 5          | kV      | -                           |

#### Note:

Proper current derating must be observed to maintain junction temperature below the maximum at all time.

It is recommended minimum current 10mA in order to avoid un-even brightness, and may vary depending on circuit configuration.

**b) Electro-optical Characteristics (I<sub>F</sub> = 65 mA, T<sub>s</sub> = 25 °C)**

| Item   | Unit      | Rank                                 | Bin | Min. | Typ. | Max. |
|--|-----------|--------------------------------------|-----|------|------|------|
| Forward Voltage (VF)                             | V         | WA<br>or<br>WK<br><br>WN<br>or<br>WM | AY  | 2.6  |      | 2.7  |
|  |           |                                      | AZ  | 2.7  |      | 2.8  |
|  |           |                                      | A1  | 2.8  |      | 2.9  |
|  |           |                                      | A2  | 2.9  |      | 3.0  |
|  |           |                                      | AY  | 2.6  |      | 2.7  |
|  |           |                                      | AZ  | 2.7  |      | 2.8  |
| Color Rendering Index (Ra)                       | -         | 5<br><br>7                           |     | 80   | -    | -    |
|  |           |                                      |     | 90   |      |      |
| Special CRI (R9)                                 | For Ra 90 |                                      |     | 50   |      |      |
| Thermal Resistance<br>(junction to solder point) | °C/W      |                                      |     | -    | 25   | -    |
| Beam Angle                                       | °         |                                      |     | -    | 120  | -    |

**Note:**

Samsung maintains measurement tolerance of: forward voltage = ±0.1 V, CRI = ±3, R9 = ±6.5

**c) Electro-optical Characteristics (I<sub>F</sub> = 65 mA, T<sub>s</sub> = 25 °C)**

| Item                            | CRI (R <sub>a</sub> )<br>Min. | Nominal<br>CCT (K) | Bin | 150mA |      |
|---------------------------------|-------------------------------|--------------------|-----|-------|------|
|                                 |                               |                    |     | Min.  | Max. |
| Luminous Flux (φ <sub>v</sub> ) | 80                            | 2700               | RK  | 32.0  | 34.0 |
|                                 |                               | 3000               | RK  | 32.5  | 34.5 |
|                                 |                               | 3500               | RK  | 33.0  | 35.0 |
|                                 |                               | 4000               | RK  | 34.0  | 36.0 |
|                                 |                               | 5000               | RK  | 35.0  | 37.0 |
|                                 |                               | 5700               | RK  | 34.5  | 36.5 |
|                                 |                               | 6500               | RK  | 34.0  | 36.0 |
|                                 | 90                            | 2700               | RK  | 27.0  | 29.0 |
|                                 |                               | 3000               | RK  | 28.0  | 30.0 |
|                                 |                               | 3500               | RK  | 29.0  | 31.0 |
|                                 |                               | 4000               | RK  | 30.0  | 32.0 |
|                                 |                               | 5000               | RK  | 30.5  | 32.5 |
|                                 |                               | 5700               | RK  | 30.0  | 32.0 |
|                                 |                               | 6500               | RK  | 30.0  | 32.0 |

**Note:**

Samsung maintains measurement tolerance of: forward voltage = ±0.1V, luminous flux = ±5 %, CRI = ±3

## 2. Product Code Information

|   |   |   |   |   |   |   |   |   |    |    |    |    |    |    |    |    |    |
|---|---|---|---|---|---|---|---|---|----|----|----|----|----|----|----|----|----|
| 1 | 2 | 3 | 4 | 5 | 6 | 7 | 8 | 9 | 10 | 11 | 12 | 13 | 14 | 15 | 16 | 17 | 18 |
| S | P | M | W | H | 3 | 2 | 2 | 8 | M  | D  | 5  | W  | A  | R  | 0  | R  | K  |

| Digit  | PKG Information              | Code     | Specification              |           |  |           |
|--|------------------------------|----------|----------------------------|-----------|--|-----------|
| 1 2 3  | Samsung Package Middle Power | SPM      | Middle power               |           |  |           |
| 4 5  | Color                        | WH       | White                      |           |  |           |
| 6  | Product Version              | 3        | Zener - in                 |           |  |           |
| 7 8 9  | Form Factor                  | 228      | 2.8 x 3.5 x 0.7 mm; 2 pads |           |  |           |
| 10   | Sorting Current (mA)         | M        | 65 mA                      |           |  |           |
| 11   | Chromaticity Coordinates     | D        | ANSI Standard              |           |  |           |
| 12   | CRI                          | 5        | Min. 80                    |           |  |           |
|  |                              | 7        | Min. 90                    |           |  |           |
| 13 14  | Forward Voltage (V)          | WA or WK | 2.6~3.0                    | Bin code  | AY   | 2.6 ~ 2.7 |
|  |                              |          |                            |           | AZ   | 2.7 ~ 2.8 |
|  |                              | A1       | 2.8 ~ 2.9                  |           |  |           |
|  |                              | A2       | 2.9 ~ 3.0                  |           |  |           |
| WA : 4,000ea per reel ,WK : 16,000ea per reel  |                              |          |                            |           |  |           |
| WN or WM   | 2.6~2.8                      | Bin code | AY                         | 2.6 ~ 2.7 |  |           |
|  |                              |          | AZ                         | 2.7 ~ 2.8 |  |           |
| WN : 4,000ea per reel ,WM : 16,000ea per reel  |                              |          |                            |           |  |           |
| 15 16  | CCT (K)                      | W☆       | 2700                       | Bin Code: | W1, W2, W3, W4, W5, W6, W7, W8, W9, WA, WB, WC, WD, WE, WF, WG<br>WN, WP, WQ, WR, WS, WT, WU |           |
|  |                              | V☆       | 3000                       |           | V1, V2, V3, V4, V5, V6, V7, V8, V9, VA, VB, VC, VD, VE, VF, VG<br>VN, VP, VQ, VR, VS, VT, VU |           |
|  |                              | U☆       | 3500                       |           | U1, U2, U3, U4, U5, U6, U7, U8, U9, UA, UB, UC, UD, UE, UF, UG<br>UN, UP, UQ, UR, US, UT, UU |           |
|  |                              | T☆       | 4000                       |           | T1, T2, T3, T4, T5, T6, T7, T8, T9, TA, TB, TC, TD, TE, TF, TG<br>TN, TP, TQ, TR, TS, TT, TU |           |
|  |                              | R☆       | 5000                       |           | R1, R2, R3, R4, R5, R6, R7, R8, R9,RA, RB, RC, RD, RE, RF, RG<br>RN, RP, RQ, RR, RS, RT, RU  |           |
|  |                              | Q☆       | 5700                       |           | Q1, Q2, Q3, Q4, Q5, Q6, Q7, Q8, Q9,QA, QB, QC, QD, QE, QF, QG<br>QN, QP, QQ, QR, QS, QT, QU  |           |
|  |                              | P☆       | 6500                       |           | P1, P2, P3, P4, P5, P6, P7, P8, P9,PA, PB, PC, PD, PE, PF, PG<br>PN, PP, PQ, PR, PS, PT, PU  |           |
| ☆ : "0" (Whole bin), "M" (Quarter bin), "K" (K Kitting bin), "Y"(Y Kitting bin) or "U" (Mac3 only) |                              |          |                            |           |  |           |
| 17 18  | Luminous Flux                | RK       | Bin Code                   | RK        |  |           |

a) Luminous Flux Bins ( $I_f = 65 \text{ mA}$ ,  $T_s = 25^\circ\text{C}$ )

| CRI ( $R_a$ )<br>Min | Nominal CCT<br>(K) | Product Code       | Flux Bin           | Flux Range<br>( $\phi_{\text{v}}$ , lm) |
|----------------------|--------------------|--------------------|--------------------|---|
| 80                   | 2700               | SPMWH3228MD5WAW☆RK | RK                 | 32.0 ~ 34.0                             |
|                      | 3000               | SPMWH3228MD5WAV☆RK | RK                 | 32.5 ~ 34.5                             |
|                      | 3500               | SPMWH3228MD5WAU☆RK | RK                 | 33.0 ~ 35.0                             |
|                      | 4000               | SPMWH3228MD5WAT☆RK | RK                 | 34.0 ~ 36.0                             |
|                      | 5000               | SPMWH3228MD5WAR☆RK | RK                 | 35.0 ~ 37.0                             |
|                      | 5700               | SPMWH3228MD5WAQ☆RK | RK                 | 34.5 ~ 36.5                             |
|                      | 6500               | SPMWH3228MD5WAP☆RK | RK                 | 34.0 ~ 36.0                             |
|                      | 90                 | 2700               | SPMWH3228MD7WAW☆RK | RK                                      |
| 3000                 |                    | SPMWH3228MD7WAV☆RK | RK                 | 28.0 ~ 30.0                             |
| 3500                 |                    | SPMWH3228MD7WAU☆RK | RK                 | 29.0 ~ 31.0                             |
| 4000                 |                    | SPMWH3228MD7WAT☆RK | RK                 | 30.0 ~ 32.0                             |
| 5000                 |                    | SPMWH3228MD7WAR☆RK | RK                 | 30.5 ~ 32.5                             |
| 5700                 |                    | SPMWH3228MD7WAQ☆RK | RK                 | 30.0 ~ 32.0                             |
| 6500                 |                    | SPMWH3228MD7WAP☆RK | RK                 | 30.0 ~ 32.0                             |

**Note:**

"☆" can be "0" (Whole bin), "M" (Quarter bin), "K" (K Kitting bin), "Y" (Y Kitting bin) or "U" (Mac3 only) of the color binning

## b) Kitting rule

### 1) K Kitting bin Concept

1. Under agreement between customer and SAMSUNG ELECTRONICS, SAMSUNG can supply kitting bin (VF, Color, Im).
2. A forward voltage (VF) of kitting bin is combined by a pair of same VF rank such as (AY+AY), (AZ+AZ), (A1+A1) or (A2+A2)
3. A Chromaticity Coordinates of kitting bin is mixed by kitting procedure.(below kitting simulation)

#### [Kitting example]

|   |   |   |   |
|---|---|---|---|
| D | E | F | G |
| 9 | A | B | C |
| 5 | 6 | 7 | 8 |
| 1 | 2 | 3 | 4 |

#### [Binning Information]

|     | Bin #1         | Bin #2         |
|-----|----------------|----------------|
| VF  | AY             | AY             |
|     | AZ             | AZ             |
|     | A1             | A1             |
|     | A2             | A2             |
| CIE | 1, 2, 5 bin    | C, F, G bin    |
|     | 6, 7, A, B bin | 6, 7, A, B bin |
|     | 3, 4, 8 bin    | 9, D, E bin    |

## 2) Y Kitting bin Concept

1. Under agreement between customer and SAMSUNG ELECTRONICS, SAMSUNG can supply kitting bin (VF, Color, Im).
2. A forward voltage (VF) of kitting bin is combined by a pair of same VF rank such as (AY+AY), (AZ+AZ), (A1+A1) or (A2+A2)
3. A Chromaticity Coordinates of kitting bin is mixed by kitting procedure.(below kitting simulation)

### [Kitting example]



### [Binning Information]

|     | Bin #1 | Bin #2 |
|-----|--------|--------|
| VF  | AY     | AY     |
|     | AZ     | AZ     |
|     | A1     | A1     |
|     | A2     | A2     |
| CIE | U      | U      |
|     | N      | R      |
|     | P      | S      |
|     | Q      | T      |

c) Color Bins ( $I_F = 65 \text{ mA}$ ,  $T_s = 25 \text{ }^\circ\text{C}$ )

| CRI (R <sub>a</sub> )<br>Min. | Nominal<br>CCT<br>(K) | Product Code       | Color Rank         | Chromaticity Bins   |
|-------------------------------|-----------------------|--------------------|--------------------|---|
| 80<br>or<br>90                | 2700                  | SPMWH3228MD★WAW0RK | W0 (Whole bin)     | W1,W2,W3,W4,W5,W6,W7,W8,W9,WA,WB,WC,WD,WE,WF,WG               |
|                               |                       | SPMWH3228MD★WAWMRK | WM (Quarter bin)   | W6, W7, WA, WB  |
|                               |                       | SPMWH3228MD★WAWKRK | WK (K Kitting bin) | W1,W2,W3,W4,W5,W6,W7,W8,W9,WA,WB,WC,WD,WE,WF,WG               |
|                               |                       | SPMWH3228MD★WAWURK | WU (Mac3 Only)     | WU  |
| 3000                          | 3000                  | SPMWH3228MD★WAWYRK | WY (Y Kitting bin) | WN, WP, WQ, WR, WS, WT, WU                                    |
|                               |                       | SPMWH3228MD★WAV0RK | V0 (Whole bin)     | V1, V2, V3, V4, V5, V6, V7, V8,V9, VA, VB, VC, VD, VE, VF, VG |
|                               |                       | SPMWH3228MD★WAVMRK | VM (Quarter bin)   | V6, V7, VA, VB  |
|                               |                       | SPMWH3228MD★WAVKRK | VK (K Kitting bin) | V1, V2, V3, V4, V5, V6, V7, V8,V9, VA, VB, VC, VD, VE, VF, VG |
| 3500                          | 3500                  | SPMWH3228MD★WAVURK | VU (Mac3 Only)     | VU  |
|                               |                       | SPMWH3228MD★WAVYRK | VY (Y Kitting bin) | VN, VP, VQ, VR, VS, VT, VU                                    |
|                               |                       | SPMWH3228MD★WAU0RK | U0 (Whole bin)     | U1, U2, U3, U4, U5, U6, U7, U8,U9, UA, UB, UC, UD, UE, UF, UG |
|                               |                       | SPMWH3228MD★WAUMRK | UM (Quarter bin)   | U6, U7, UA, UB  |
| 4000                          | 4000                  | SPMWH3228MD★WAUKRK | UK (K Kitting bin) | U1, U2, U3, U4, U5, U6, U7, U8,U9, UA, UB, UC, UD, UE, UF, UG |
|                               |                       | SPMWH3228MD★WAUURK | UU (Mac3 Only)     | UU  |
|                               |                       | SPMWH3228MD★WAUYRK | UY (Y Kitting bin) | UN, UP, UQ, UR, US, UT, UU                                    |
|                               |                       | SPMWH3228MD★WAT0RK | T0 (Whole bin)     | T1, T2, T3, T4, T5, T6, T7, T8,T9, TA, TB, TC, TD, TE, TF, TG |
| 5000                          | 5000                  | SPMWH3228MD★WATMRK | TM (Quarter bin)   | T6, T7, TA, TB  |
|                               |                       | SPMWH3228MD★WATKRK | TK (K Kitting bin) | T1, T2, T3, T4, T5, T6, T7, T8,T9, TA, TB, TC, TD, TE, TF, TG |
|                               |                       | SPMWH3228MD★WATURK | TU (Mac3 Only)     | TU  |
|                               |                       | SPMWH3228MD★WATYRK | TY (Y Kitting bin) | TN, TP, TQ, TR, TS, TT, TU                                    |
| 5700                          | 5700                  | SPMWH3228MD★WAR0RK | R0 (Whole bin)     | R1, R2, R3, R4, R5, R6, R7, R8, R9RA, RB, RC, RD, RE, RF, RG  |
|                               |                       | SPMWH3228MD★WARMRK | RM (Quarter bin)   | R6, R7, RA, RB  |
|                               |                       | SPMWH3228MD★WARKRK | RK (K Kitting bin) | R1, R2, R3, R4, R5, R6, R7, R8, R9RA, RB, RC, RD, RE, RF, RG  |
|                               |                       | SPMWH3228MD★WARURK | RU (Mac3 Only)     | RU  |
| 6500                          | 6500                  | SPMWH3228MD★WARYRK | RY (Y Kitting bin) | RN, RP, RQ, RR, RS, RT, RU                                    |
|                               |                       | SPMWH3228MD★WAQ0RK | Q0 (Whole bin)     | Q1, Q2, Q3, Q4, Q5, Q6, Q7, Q8, Q9QA, QB, QC, QD, QE, QF, QG  |
|                               |                       | SPMWH3228MD★WAQMRK | QM (Quarter bin)   | Q6, Q7, QA, QB  |
|                               |                       | SPMWH3228MD★WAQKRK | QK (K Kitting bin) | Q1, Q2, Q3, Q4, Q5, Q6, Q7, Q8, Q9QA, QB, QC, QD, QE, QF, QG  |
| 6500                          | 6500                  | SPMWH3228MD★WAQURK | QU (Mac3 Only)     | QU  |
|                               |                       | SPMWH3228MD★WAQYRK | QY (Y Kitting bin) | QN, QP, QQ, QR, QS, QT, QU                                    |
|                               |                       | SPMWH3228MD★WAP0RK | P0 (Whole bin)     | P1, P2, P3, P4, P5, P6, P7, P8, P9PA, PB, PC, PD, PE, PF, PG  |
|                               |                       | SPMWH3228MD★WAPMRK | PM (Quarter bin)   | P6, P7, PA, PB  |
| 6500                          | 6500                  | SPMWH3228MD★WAPKRK | PK (K Kitting bin) | P1, P2, P3, P4, P5, P6, P7, P8, P9PA, PB, PC, PD, PE, PF, PG  |
|                               |                       | SPMWH3228MD★WAPURK | PU (Mac3 Only)     | PU  |
|                               |                       | SPMWH3228MD★WAPYRK | PY (Y Kitting bin) | PN, PP, PQ, PR, PS, PT, PU                                    |

**Note:** "★" can be "5" (Ra80) or "7" (Ra90)

d) Voltage Bins ( $I_f = 65 \text{ mA}$ ,  $T_s = 25 \text{ °C}$ )

| CRI ( $R_a$ )<br>Min. | Nominal CCT<br>(K) | Product Code | Voltage Rank   | Voltage Bin | Voltage Range<br>(V) |
|-----------------------|--------------------|--------------|----------------|-------------|----------------------|
| -                     | -                  | -            | WA<br>or<br>WK | AY          | 2.6 ~ 2.7            |
| -                     | -                  | -            |                | AZ          | 2.7 ~ 2.8            |
| -                     | -                  | -            |                | A1          | 2.8 ~ 2.9            |
| -                     | -                  | -            |                | A2          | 2.9 ~ 3.0            |
| -                     | -                  | -            | WN<br>or<br>WM | AY          | 2.6 ~ 2.7            |
| -                     | -                  | -            |                | AZ          | 2.7 ~ 2.8            |

e) Chromaticity Region & Coordinates for whole bin or quarter bin or K kitting bin ( $I_F = 65 \text{ mA}$ ,  $T_s = 25 \text{ }^\circ\text{C}$ )



## e) Chromaticity Region &amp; Coordinates

| Region                 | CIE x  | CIE y  | Region | CIE x  | CIE y  |
|------------------------|--------|--------|--------|--------|--------|
| <b>W rank (2700 K)</b> |        |        |        |        |        |
| W1                     | 0.4373 | 0.3893 | W9     | 0.4465 | 0.4071 |
|                        | 0.4418 | 0.3981 |        | 0.4513 | 0.4164 |
|                        | 0.4475 | 0.3994 |        | 0.4573 | 0.4178 |
|                        | 0.4428 | 0.3906 |        | 0.4523 | 0.4085 |
| W2                     | 0.4428 | 0.3906 | WA     | 0.4523 | 0.4085 |
|                        | 0.4475 | 0.3994 |        | 0.4573 | 0.4178 |
|                        | 0.4532 | 0.4008 |        | 0.4634 | 0.4193 |
|                        | 0.4483 | 0.3919 |        | 0.4582 | 0.4099 |
| W3                     | 0.4483 | 0.3919 | WB     | 0.4582 | 0.4099 |
|                        | 0.4532 | 0.4008 |        | 0.4634 | 0.4193 |
|                        | 0.4589 | 0.4021 |        | 0.4695 | 0.4207 |
|                        | 0.4538 | 0.3931 |        | 0.4641 | 0.4112 |
| W4                     | 0.4538 | 0.3931 | WC     | 0.4641 | 0.4112 |
|                        | 0.4589 | 0.4021 |        | 0.4695 | 0.4207 |
|                        | 0.4646 | 0.4034 |        | 0.4756 | 0.4221 |
|                        | 0.4593 | 0.3944 |        | 0.4700 | 0.4126 |
| W5                     | 0.4418 | 0.3981 | WD     | 0.4513 | 0.4164 |
|                        | 0.4465 | 0.4071 |        | 0.4562 | 0.4260 |
|                        | 0.4523 | 0.4085 |        | 0.4624 | 0.4274 |
|                        | 0.4475 | 0.3994 |        | 0.4573 | 0.4178 |
| W6                     | 0.4475 | 0.3994 | WE     | 0.4573 | 0.4178 |
|                        | 0.4523 | 0.4085 |        | 0.4624 | 0.4274 |
|                        | 0.4582 | 0.4099 |        | 0.4687 | 0.4289 |
|                        | 0.4532 | 0.4008 |        | 0.4634 | 0.4193 |
| W7                     | 0.4532 | 0.4008 | WF     | 0.4634 | 0.4193 |
|                        | 0.4582 | 0.4099 |        | 0.4687 | 0.4289 |
|                        | 0.4641 | 0.4112 |        | 0.4750 | 0.4304 |
|                        | 0.4589 | 0.4021 |        | 0.4695 | 0.4207 |
| W8                     | 0.4589 | 0.4021 | WG     | 0.4695 | 0.4207 |
|                        | 0.4641 | 0.4112 |        | 0.4750 | 0.4304 |
|                        | 0.4700 | 0.4126 |        | 0.4813 | 0.4319 |
|                        | 0.4646 | 0.4034 |        | 0.4756 | 0.4221 |

| Region                 | CIE x  | CIE y  | Region | CIE x  | CIE y  |
|------------------------|--------|--------|--------|--------|--------|
| <b>V rank (3000 K)</b> |        |        |        |        |        |
| V1                     | 0.4147 | 0.3814 | V9     | 0.4221 | 0.3984 |
|                        | 0.4183 | 0.3898 |        | 0.4259 | 0.4073 |
|                        | 0.4242 | 0.3919 |        | 0.4322 | 0.4096 |
|                        | 0.4203 | 0.3833 |        | 0.4281 | 0.4006 |
| V2                     | 0.4203 | 0.3833 | VA     | 0.4281 | 0.4006 |
|                        | 0.4242 | 0.3919 |        | 0.4322 | 0.4096 |
|                        | 0.4300 | 0.3939 |        | 0.4385 | 0.4119 |
|                        | 0.4259 | 0.3853 |        | 0.4342 | 0.4028 |
| V3                     | 0.4259 | 0.3853 | VB     | 0.4342 | 0.4028 |
|                        | 0.4300 | 0.3939 |        | 0.4385 | 0.4119 |
|                        | 0.4359 | 0.3960 |        | 0.4449 | 0.4141 |
|                        | 0.4316 | 0.3873 |        | 0.4403 | 0.4049 |
| V4                     | 0.4316 | 0.3873 | VC     | 0.4403 | 0.4049 |
|                        | 0.4359 | 0.3960 |        | 0.4449 | 0.4141 |
|                        | 0.4418 | 0.3981 |        | 0.4513 | 0.4164 |
|                        | 0.4373 | 0.3893 |        | 0.4465 | 0.4071 |
| V5                     | 0.4183 | 0.3898 | VD     | 0.4259 | 0.4073 |
|                        | 0.4221 | 0.3984 |        | 0.4299 | 0.4165 |
|                        | 0.4281 | 0.4006 |        | 0.4364 | 0.4188 |
|                        | 0.4242 | 0.3919 |        | 0.4322 | 0.4096 |
| V6                     | 0.4242 | 0.3919 | VE     | 0.4322 | 0.4096 |
|                        | 0.4281 | 0.4006 |        | 0.4364 | 0.4188 |
|                        | 0.4342 | 0.4028 |        | 0.4430 | 0.4212 |
|                        | 0.4300 | 0.3939 |        | 0.4385 | 0.4119 |
| V7                     | 0.4300 | 0.3939 | VF     | 0.4385 | 0.4119 |
|                        | 0.4342 | 0.4028 |        | 0.4430 | 0.4212 |
|                        | 0.4403 | 0.4049 |        | 0.4496 | 0.4236 |
|                        | 0.4359 | 0.3960 |        | 0.4449 | 0.4141 |
| V8                     | 0.4359 | 0.3960 | VG     | 0.4449 | 0.4141 |
|                        | 0.4403 | 0.4049 |        | 0.4496 | 0.4236 |
|                        | 0.4465 | 0.4071 |        | 0.4562 | 0.4260 |
|                        | 0.4418 | 0.3981 |        | 0.4513 | 0.4164 |

## e) Chromaticity Region &amp; Coordinates

| Region                 | CIE x  | CIE y  | Region | CIE x  | CIE y  |
|------------------------|--------|--------|--------|--------|--------|
| <b>U rank (3500 K)</b> |        |        |        |        |        |
| U1                     | 0.3889 | 0.3690 | U9     | 0.3941 | 0.3848 |
|                        | 0.3915 | 0.3768 |        | 0.3968 | 0.3930 |
|                        | 0.3981 | 0.3800 |        | 0.4040 | 0.3966 |
|                        | 0.3953 | 0.3720 |        | 0.4010 | 0.3882 |
| U2                     | 0.3953 | 0.3720 | UA     | 0.4010 | 0.3882 |
|                        | 0.3981 | 0.3800 |        | 0.4040 | 0.3966 |
|                        | 0.4048 | 0.3832 |        | 0.4113 | 0.4001 |
|                        | 0.4017 | 0.3751 |        | 0.4080 | 0.3916 |
| U3                     | 0.4017 | 0.3751 | UB     | 0.4080 | 0.3916 |
|                        | 0.4048 | 0.3832 |        | 0.4113 | 0.4001 |
|                        | 0.4116 | 0.3865 |        | 0.4186 | 0.4037 |
|                        | 0.4082 | 0.3782 |        | 0.4150 | 0.3950 |
| U4                     | 0.4082 | 0.3782 | UC     | 0.4150 | 0.3950 |
|                        | 0.4116 | 0.3865 |        | 0.4186 | 0.4037 |
|                        | 0.4183 | 0.3898 |        | 0.4259 | 0.4073 |
|                        | 0.4147 | 0.3814 |        | 0.4221 | 0.3984 |
| U5                     | 0.3915 | 0.3768 | UD     | 0.3968 | 0.3930 |
|                        | 0.3941 | 0.3848 |        | 0.3996 | 0.4015 |
|                        | 0.4010 | 0.3882 |        | 0.4071 | 0.4052 |
|                        | 0.3981 | 0.3800 |        | 0.4040 | 0.3966 |
| U6                     | 0.3981 | 0.3800 | UE     | 0.4040 | 0.3966 |
|                        | 0.4010 | 0.3882 |        | 0.4071 | 0.4052 |
|                        | 0.4080 | 0.3916 |        | 0.4146 | 0.4089 |
|                        | 0.4048 | 0.3832 |        | 0.4113 | 0.4001 |
| U7                     | 0.4048 | 0.3832 | UF     | 0.4113 | 0.4001 |
|                        | 0.4080 | 0.3916 |        | 0.4146 | 0.4089 |
|                        | 0.4150 | 0.3950 |        | 0.4222 | 0.4127 |
|                        | 0.4116 | 0.3865 |        | 0.4186 | 0.4037 |
| U8                     | 0.4116 | 0.3865 | UG     | 0.4186 | 0.4037 |
|                        | 0.4150 | 0.3950 |        | 0.4222 | 0.4127 |
|                        | 0.4221 | 0.3984 |        | 0.4299 | 0.4165 |
|                        | 0.4183 | 0.3898 |        | 0.4259 | 0.4073 |

| Region                 | CIE x  | CIE y  | Region | CIE x  | CIE y  |
|------------------------|--------|--------|--------|--------|--------|
| <b>T rank (4000 K)</b> |        |        |        |        |        |
| T1                     | 0.3670 | 0.3578 | T9     | 0.3702 | 0.3722 |
|                        | 0.3726 | 0.3612 |        | 0.3763 | 0.3760 |
|                        | 0.3744 | 0.3685 |        | 0.3782 | 0.3837 |
|                        | 0.3686 | 0.3649 |        | 0.3719 | 0.3797 |
| T2                     | 0.3726 | 0.3612 | TA     | 0.3763 | 0.3760 |
|                        | 0.3783 | 0.3646 |        | 0.3825 | 0.3798 |
|                        | 0.3804 | 0.3721 |        | 0.3847 | 0.3877 |
|                        | 0.3744 | 0.3685 |        | 0.3782 | 0.3837 |
| T3                     | 0.3783 | 0.3646 | TB     | 0.3825 | 0.3798 |
|                        | 0.3840 | 0.3681 |        | 0.3887 | 0.3836 |
|                        | 0.3863 | 0.3758 |        | 0.3912 | 0.3917 |
|                        | 0.3804 | 0.3721 |        | 0.3847 | 0.3877 |
| T4                     | 0.3840 | 0.3681 | TC     | 0.3887 | 0.3837 |
|                        | 0.3898 | 0.3716 |        | 0.3950 | 0.3875 |
|                        | 0.3924 | 0.3794 |        | 0.3978 | 0.3958 |
|                        | 0.3863 | 0.3758 |        | 0.3912 | 0.3917 |
| T5                     | 0.3686 | 0.3649 | TD     | 0.3719 | 0.3797 |
|                        | 0.3744 | 0.3685 |        | 0.3782 | 0.3837 |
|                        | 0.3763 | 0.3760 |        | 0.3802 | 0.3916 |
|                        | 0.3702 | 0.3722 |        | 0.3736 | 0.3874 |
| T6                     | 0.3744 | 0.3685 | TE     | 0.3782 | 0.3837 |
|                        | 0.3804 | 0.3721 |        | 0.3847 | 0.3877 |
|                        | 0.3825 | 0.3798 |        | 0.3869 | 0.3958 |
|                        | 0.3763 | 0.3760 |        | 0.3802 | 0.3916 |
| T7                     | 0.3804 | 0.3721 | TF     | 0.3847 | 0.3877 |
|                        | 0.3863 | 0.3758 |        | 0.3912 | 0.3917 |
|                        | 0.3887 | 0.3836 |        | 0.3937 | 0.4001 |
|                        | 0.3825 | 0.3798 |        | 0.3869 | 0.3958 |
| T8                     | 0.3863 | 0.3758 | TG     | 0.3912 | 0.3917 |
|                        | 0.3924 | 0.3794 |        | 0.3978 | 0.3958 |
|                        | 0.3950 | 0.3875 |        | 0.4006 | 0.4044 |
|                        | 0.3887 | 0.3836 |        | 0.3937 | 0.4001 |

## e) Chromaticity Region &amp; Coordinates

| Region                 | CIE x  | CIE y  | Region | CIE x  | CIE y  |
|------------------------|--------|--------|--------|--------|--------|
| <b>R rank (5000 K)</b> |        |        |        |        |        |
| R1                     | 0.3366 | 0.3369 | R9     | 0.3374 | 0.3554 |
|                        | 0.3369 | 0.3431 |        | 0.3371 | 0.3493 |
|                        | 0.3407 | 0.3460 |        | 0.3411 | 0.3522 |
|                        | 0.3403 | 0.3398 |        | 0.3415 | 0.3587 |
| R2                     | 0.3403 | 0.3398 | RA     | 0.3415 | 0.3587 |
|                        | 0.3407 | 0.3460 |        | 0.3411 | 0.3522 |
|                        | 0.3446 | 0.3491 |        | 0.3451 | 0.3554 |
|                        | 0.3440 | 0.3427 |        | 0.3457 | 0.3621 |
| R3                     | 0.3446 | 0.3491 | RB     | 0.3451 | 0.3554 |
|                        | 0.3440 | 0.3427 |        | 0.3457 | 0.3621 |
|                        | 0.3477 | 0.3458 |        | 0.3500 | 0.3655 |
|                        | 0.3485 | 0.3522 |        | 0.3492 | 0.3587 |
| R4                     | 0.3485 | 0.3522 | RC     | 0.3492 | 0.3587 |
|                        | 0.3477 | 0.3458 |        | 0.3500 | 0.3655 |
|                        | 0.3514 | 0.3487 |        | 0.3542 | 0.3690 |
|                        | 0.3524 | 0.3554 |        | 0.3533 | 0.3620 |
| R5                     | 0.3371 | 0.3493 | RD     | 0.3376 | 0.3616 |
|                        | 0.3369 | 0.3431 |        | 0.3374 | 0.3554 |
|                        | 0.3407 | 0.3460 |        | 0.3415 | 0.3587 |
|                        | 0.3411 | 0.3522 |        | 0.3420 | 0.3652 |
| R6                     | 0.3407 | 0.3460 | RE     | 0.3415 | 0.3587 |
|                        | 0.3411 | 0.3522 |        | 0.3420 | 0.3652 |
|                        | 0.3451 | 0.3554 |        | 0.3463 | 0.3687 |
|                        | 0.3446 | 0.3491 |        | 0.3457 | 0.3621 |
| R7                     | 0.3446 | 0.3491 | RF     | 0.3457 | 0.3621 |
|                        | 0.3451 | 0.3554 |        | 0.3463 | 0.3687 |
|                        | 0.3492 | 0.3587 |        | 0.3507 | 0.3724 |
|                        | 0.3485 | 0.3522 |        | 0.3500 | 0.3655 |
| R8                     | 0.3485 | 0.3522 | RG     | 0.3500 | 0.3655 |
|                        | 0.3492 | 0.3587 |        | 0.3507 | 0.3724 |
|                        | 0.3533 | 0.3620 |        | 0.3551 | 0.3760 |
|                        | 0.3524 | 0.3554 |        | 0.3542 | 0.3690 |

| Region                 | CIE x  | CIE y  | Region | CIE x  | CIE y  |
|------------------------|--------|--------|--------|--------|--------|
| <b>Q rank (5700 K)</b> |        |        |        |        |        |
| Q1                     | 0.3218 | 0.3298 | Q9     | 0.3211 | 0.3407 |
|                        | 0.3222 | 0.3243 |        | 0.3215 | 0.3353 |
|                        | 0.3258 | 0.3275 |        | 0.3254 | 0.3388 |
|                        | 0.3256 | 0.3331 |        | 0.3252 | 0.3444 |
| Q2                     | 0.3256 | 0.3331 | QA     | 0.3252 | 0.3444 |
|                        | 0.3258 | 0.3275 |        | 0.3254 | 0.3388 |
|                        | 0.3294 | 0.3306 |        | 0.3293 | 0.3423 |
|                        | 0.3294 | 0.3364 |        | 0.3293 | 0.3481 |
| Q3                     | 0.3294 | 0.3364 | QB     | 0.3293 | 0.3481 |
|                        | 0.3294 | 0.3306 |        | 0.3293 | 0.3423 |
|                        | 0.3330 | 0.3338 |        | 0.3332 | 0.3458 |
|                        | 0.3331 | 0.3398 |        | 0.3333 | 0.3518 |
| Q4                     | 0.3331 | 0.3398 | QC     | 0.3333 | 0.3518 |
|                        | 0.3330 | 0.3338 |        | 0.3332 | 0.3458 |
|                        | 0.3366 | 0.3369 |        | 0.3371 | 0.3493 |
|                        | 0.3369 | 0.3431 |        | 0.3374 | 0.3554 |
| Q5                     | 0.3215 | 0.3353 | QD     | 0.3207 | 0.3462 |
|                        | 0.3218 | 0.3298 |        | 0.3211 | 0.3407 |
|                        | 0.3256 | 0.3331 |        | 0.3252 | 0.3444 |
|                        | 0.3254 | 0.3388 |        | 0.3250 | 0.3501 |
| Q6                     | 0.3254 | 0.3388 | QE     | 0.3250 | 0.3501 |
|                        | 0.3256 | 0.3331 |        | 0.3252 | 0.3444 |
|                        | 0.3294 | 0.3364 |        | 0.3293 | 0.3481 |
|                        | 0.3293 | 0.3423 |        | 0.3292 | 0.3539 |
| Q7                     | 0.3293 | 0.3423 | QF     | 0.3292 | 0.3539 |
|                        | 0.3294 | 0.3364 |        | 0.3293 | 0.3481 |
|                        | 0.3331 | 0.3398 |        | 0.3333 | 0.3518 |
|                        | 0.3332 | 0.3458 |        | 0.3334 | 0.3578 |
| Q8                     | 0.3332 | 0.3458 | QG     | 0.3334 | 0.3578 |
|                        | 0.3331 | 0.3398 |        | 0.3333 | 0.3518 |
|                        | 0.3369 | 0.3431 |        | 0.3374 | 0.3554 |
|                        | 0.3371 | 0.3493 |        | 0.3376 | 0.3616 |

## e) Chromaticity Region &amp; Coordinates

| Region                 | CIE x  | CIE y  | Region | CIE x  | CIE y  |
|------------------------|--------|--------|--------|--------|--------|
| <b>P rank (6500 K)</b> |        |        |        |        |        |
| P1                     | 0.3068 | 0.3113 | P9     | 0.3048 | 0.3207 |
|                        | 0.3106 | 0.3150 |        | 0.3089 | 0.3249 |
|                        | 0.3098 | 0.3199 |        | 0.3080 | 0.3298 |
|                        | 0.3058 | 0.3160 |        | 0.3038 | 0.3256 |
| P2                     | 0.3106 | 0.3150 | PA     | 0.3089 | 0.3249 |
|                        | 0.3144 | 0.3186 |        | 0.313  | 0.3290 |
|                        | 0.3137 | 0.3238 |        | 0.3123 | 0.3341 |
|                        | 0.3098 | 0.3199 |        | 0.3080 | 0.3298 |
| P3                     | 0.3144 | 0.3186 | PB     | 0.3130 | 0.3290 |
|                        | 0.3183 | 0.3224 |        | 0.3172 | 0.3332 |
|                        | 0.3177 | 0.3278 |        | 0.3166 | 0.3384 |
|                        | 0.3137 | 0.3238 |        | 0.3123 | 0.3341 |
| P4                     | 0.3183 | 0.3224 | PC     | 0.3172 | 0.3332 |
|                        | 0.3221 | 0.3261 |        | 0.3214 | 0.3373 |
|                        | 0.3218 | 0.3317 |        | 0.3210 | 0.3427 |
|                        | 0.3177 | 0.3278 |        | 0.3166 | 0.3384 |
| P5                     | 0.3058 | 0.3160 | PD     | 0.3038 | 0.3256 |
|                        | 0.3098 | 0.3199 |        | 0.3080 | 0.3298 |
|                        | 0.3089 | 0.3249 |        | 0.3072 | 0.3348 |
|                        | 0.3048 | 0.3207 |        | 0.3028 | 0.3304 |
| P6                     | 0.3098 | 0.3199 | PE     | 0.3080 | 0.3298 |
|                        | 0.3137 | 0.3238 |        | 0.3123 | 0.3341 |
|                        | 0.3130 | 0.3290 |        | 0.3115 | 0.3391 |
|                        | 0.3089 | 0.3249 |        | 0.3072 | 0.3348 |
| P7                     | 0.3137 | 0.3238 | PF     | 0.3123 | 0.3341 |
|                        | 0.3177 | 0.3278 |        | 0.3166 | 0.3384 |
|                        | 0.3172 | 0.3332 |        | 0.3160 | 0.3436 |
|                        | 0.313  | 0.3290 |        | 0.3115 | 0.3391 |
| P8                     | 0.3177 | 0.3278 | PG     | 0.3166 | 0.3384 |
|                        | 0.3218 | 0.3317 |        | 0.3210 | 0.3427 |
|                        | 0.3214 | 0.3373 |        | 0.3206 | 0.3481 |
|                        | 0.3172 | 0.3332 |        | 0.3160 | 0.3436 |

**Note:** Samsung maintains measurement tolerance of:  $C_x, C_y = \pm 0.005$

f) Chromaticity Region & Coordinates for Y kitting bin or mac3 only bin ( $I_f = 65 \text{ mA}$ ,  $T_s = 25 \text{ }^\circ\text{C}$ )



## f) Chromaticity Region &amp; Coordinates



| MacAdam | CCT (K) | Center point |        | Major-axis | Minor-axis | Rotation |
|---------|---------|--------------|--------|------------|------------|----------|
|         |         | CIE x        | CIE y  | a          | b          | $\Phi$   |
| 3 step  | 2700    | 0.4578       | 0.4101 | 0.0081     | 0.0042     | 53.70    |
|         | 3000    | 0.4338       | 0.4030 | 0.0083     | 0.0041     | 53.22    |
|         | 3500    | 0.4073       | 0.3917 | 0.0093     | 0.0041     | 54.00    |
|         | 4000    | 0.3818       | 0.3797 | 0.0094     | 0.0040     | 53.72    |
|         | 5000    | 0.3447       | 0.3553 | 0.0082     | 0.0035     | 59.62    |
|         | 5700    | 0.3287       | 0.3417 | 0.0075     | 0.0032     | 59.10    |
|         | 6500    | 0.3123       | 0.3282 | 0.0067     | 0.0029     | 58.57    |
| 5 step  | 2700    | 0.4578       | 0.4101 | 0.0135     | 0.0070     | 53.70    |
|         | 3000    | 0.4338       | 0.4030 | 0.0138     | 0.0068     | 53.22    |
|         | 3500    | 0.4073       | 0.3917 | 0.0155     | 0.0068     | 54.00    |
|         | 4000    | 0.3818       | 0.3797 | 0.0157     | 0.0067     | 53.72    |
|         | 5000    | 0.3447       | 0.3553 | 0.0137     | 0.0058     | 59.62    |
|         | 5700    | 0.3287       | 0.3417 | 0.0125     | 0.0053     | 59.10    |
|         | 6500    | 0.3123       | 0.3282 | 0.0112     | 0.0048     | 58.57    |

**Note:** Samsung maintains measurement tolerance of:  $C_x, C_y = \pm 0.005$

f) Chromaticity Region & Coordinates



| CCT   | Region | CIE x  | CIE y  | CCT   | Region | CIE x  | CIE y  | CCT   | Region | CIE x  | CIE y  |
|-------|--------|--------|--------|-------|--------|--------|--------|-------|--------|--------|--------|
| 2700K | 1      | 0.4521 | 0.4142 | 3000K | 1      | 0.4283 | 0.4071 | 3500K | 1      | 0.4018 | 0.3957 |
|       | 2      | 0.4619 | 0.4216 |       | 2      | 0.4382 | 0.4146 |       | 2      | 0.4125 | 0.4046 |
|       | 3      | 0.4675 | 0.4175 |       | 3      | 0.4437 | 0.4105 |       | 3      | 0.418  | 0.4005 |
|       | 4      | 0.4634 | 0.4059 |       | 4      | 0.4393 | 0.3989 |       | 4      | 0.4128 | 0.3877 |
|       | 5      | 0.4537 | 0.3986 |       | 5      | 0.4293 | 0.3913 |       | 5      | 0.4022 | 0.3788 |
|       | 6      | 0.4481 | 0.4028 |       | 6      | 0.4239 | 0.3954 |       | 6      | 0.3966 | 0.3828 |
|       | 7      | 0.4544 | 0.4126 |       | 7      | 0.4305 | 0.4054 |       | 7      | 0.404  | 0.3941 |
|       | 8      | 0.4603 | 0.417  |       | 8      | 0.4364 | 0.41   |       | 8      | 0.4104 | 0.3994 |
|       | 9      | 0.4636 | 0.4145 |       | 9      | 0.4397 | 0.4075 |       | 9      | 0.4137 | 0.397  |
|       | 10     | 0.4612 | 0.4076 |       | 10     | 0.4371 | 0.4005 |       | 10     | 0.4106 | 0.3893 |
|       | 11     | 0.4553 | 0.4032 |       | 11     | 0.4311 | 0.396  |       | 11     | 0.4042 | 0.384  |
|       | 12     | 0.452  | 0.4057 |       | 12     | 0.4279 | 0.3984 |       | 12     | 0.4009 | 0.3864 |
| 4000K | 1      | 0.3764 | 0.3837 | 5000K | 1      | 0.3397 | 0.3583 | 5700K | 1      | 0.3242 | 0.3445 |
|       | 2      | 0.3871 | 0.3926 |       | 2      | 0.3482 | 0.367  |       | 2      | 0.332  | 0.3524 |
|       | 3      | 0.3925 | 0.3887 |       | 3      | 0.3532 | 0.364  |       | 3      | 0.3365 | 0.3496 |
|       | 4      | 0.3872 | 0.3758 |       | 4      | 0.3497 | 0.3524 |       | 4      | 0.3333 | 0.339  |
|       | 5      | 0.3765 | 0.3668 |       | 5      | 0.3412 | 0.3436 |       | 5      | 0.3254 | 0.331  |
|       | 6      | 0.3711 | 0.3707 |       | 6      | 0.3362 | 0.3465 |       | 6      | 0.3209 | 0.3338 |
|       | 7      | 0.3786 | 0.3821 |       | 7      | 0.3417 | 0.3571 |       | 7      | 0.326  | 0.3434 |
|       | 8      | 0.385  | 0.3874 |       | 8      | 0.3468 | 0.3623 |       | 8      | 0.3307 | 0.3481 |
|       | 9      | 0.3882 | 0.3851 |       | 9      | 0.3498 | 0.3605 |       | 9      | 0.3334 | 0.3464 |
|       | 10     | 0.385  | 0.3773 |       | 10     | 0.3477 | 0.3535 |       | 10     | 0.3314 | 0.3401 |
|       | 11     | 0.3786 | 0.372  |       | 11     | 0.3426 | 0.3483 |       | 11     | 0.3267 | 0.3353 |
|       | 12     | 0.3754 | 0.3743 |       | 12     | 0.3396 | 0.35   |       | 12     | 0.324  | 0.3369 |

**f) Chromaticity Region & Coordinates**

| CCT   | Region | CIE x  | CIE y  |
|-------|--------|--------|--------|
| 6500K | 1      | 0.3082 | 0.3307 |
|       | 2      | 0.3153 | 0.3377 |
|       | 3      | 0.3194 | 0.3352 |
|       | 4      | 0.3164 | 0.3257 |
|       | 5      | 0.3093 | 0.3187 |
|       | 6      | 0.3052 | 0.3212 |
|       | 7      | 0.3098 | 0.3297 |
|       | 8      | 0.3141 | 0.3339 |
|       | 9      | 0.3166 | 0.3324 |
|       | 10     | 0.3148 | 0.3267 |
|       | 11     | 0.3105 | 0.3225 |
|       | 12     | 0.308  | 0.324  |

**Note:** Samsung maintains measurement tolerance of:  $C_x, C_y = \pm 0.005$

### 3. Typical Characteristics Graphs

#### a) Spectrum Distribution ( $I_f = 65 \text{ mA}$ , $T_s = 25 \text{ }^\circ\text{C}$ )

CCT: 2700 K (80 CRI)



CCT: 3000 K (80 CRI)



CCT: 3500 K (80 CRI)



CCT: 4000 K (80 CRI)



CCT: 5000 K (80 CRI)



CCT: 5700 K (80 CRI)



CCT: 6500 K (80 CRI)



CCT: 2700 K (90 CRI)



CCT: 3000 K (90 CRI)



CCT: 3500 K (90 CRI)



CCT: 4000 K (90 CRI)



CCT: 5000 K (90 CRI)



CCT: 5700 K (90 CRI)



CCT: 6500 K (90 CRI)



**b) Forward Current Characteristics ( $T_s = 25^\circ\text{C}$ )**



c) Temperature Characteristics ( $I_F = 65 \text{ mA}$ )



d) Color Shift Characteristics ( $I_F = 65 \text{ mA}$ ,  $T_s = 25 \text{ °C}$ )



e) Derating Curve



**f) Beam Angle Characteristics ( $I_f = 65 \text{ mA}$ ,  $T_s = 25 \text{ }^\circ\text{C}$ )**

#### 4. Outline Drawing & Dimension



#### Notes:

- 1)  $T_s$  point and measurement method:
  - ① Measure one point at the cathode pad, if necessary remove PSR of PCB to reach  $T_s$  point.
  - ② All pads must be soldered to the PCB to dissipate heat properly, otherwise the LED can be damaged.

#### Precautions:

- 1) Pressure on the LEDs will influence to the reliability of the LEDs. Precautions should be taken to avoid strong pressure on the LEDs. Do not put stress on the LEDs during heating.
- 2) Re-soldering should not be done after the LEDs have been soldered. If re-soldering is unavoidable, LED's characteristics should be carefully checked before and after such repair.
- 3) Do not stack assembled PCBs together. Since materials of LEDs is soft, abrasion between two PCB assembled with LED might cause catastrophic failure of the LEDs.

## 5. Reliability Test Items & Conditions

### a) Test Items

| Test Item                           | Test Condition  | Test Hour / Cycle | Sample No. |
|-------------------------------------|---|-------------------|------------|
| Room Temperature Life Test          | 25 °C, DC Max Current   | 1000 h            | 22         |
| High Temperature Life Test          | 85 °C, DC Max Current   | 1000 h            | 22         |
| High Temperature Humidity Life Test | 60 °C, 90 % RH, DC 65mA   | 1000 h            | 22         |
| Low Temperature Life Test           | -40 °C, DC Max Current  | 1000 h            | 22         |
| Powered Temperature Cycle Test      | -45 °C ~ 85 °C, each 20 min, on/off 5 min<br>Temp. Change time 100min, DC Max Current   | 100 cycles        | 22         |
| Temperature Cycle                   | -45°C / 15 min ↔ 125 °C / 15 min  | 200 cycles        | 100        |
| High Temperature Storage            | 85 °C   | 1000 h            | 11         |
| Low Temperature Storage             | -40 °C  | 1000 h            | 11         |
| ESD (HBM)                           |  <p> <math>R_1</math>: 10 M<math>\Omega</math><br/> <math>R_2</math>: 1.5 k<math>\Omega</math><br/> <math>C</math>: 100 pF<br/> <math>V</math>: <math>\pm 5</math> kV         </p> | 5 times           | 30         |

### b) Criteria for Judging the Damage

| Item            | Symbol   | Test Condition<br>( $T_s = 25$ °C) | Limit             |                   |
|-----------------|----------|------------------------------------|-------------------|-------------------|
|                 |          |                                    | Min               | Max               |
| Forward Voltage | $V_F$    | $I_F = 65$ mA                      | Init. Value * 0.9 | Init. Value * 1.1 |
| Luminous Flux   | $\Phi_v$ | $I_F = 65$ mA                      | Init. Value * 0.7 | Init. Value * 1.1 |

## 6. Soldering Conditions

### a) Reflow Conditions (Pb free)

Reflow frequency: 2 times max.



### b) Manual Soldering Conditions

Not more than 5 seconds @ max. 300 °C, under soldering iron.

## 7. Tape & Reel

### a) Taping Dimension

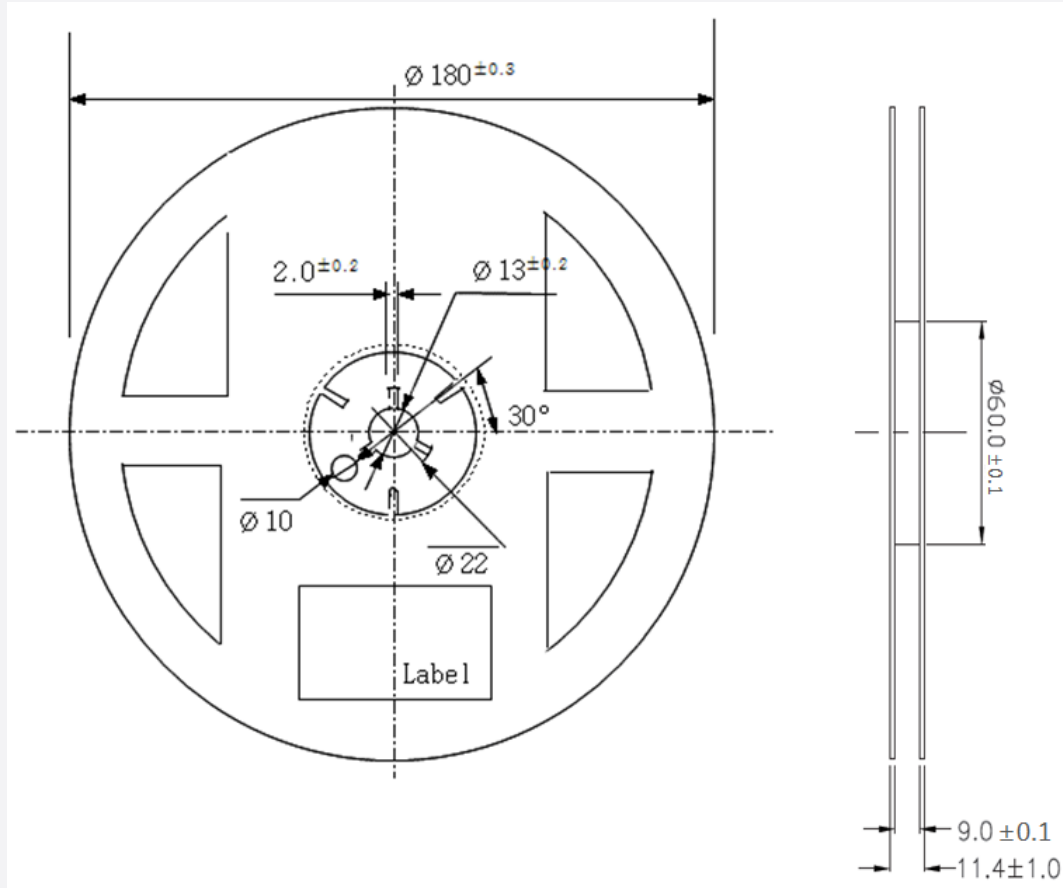
(unit: mm)



|    |          |    |          |   |           |    |           |
|----|----------|----|----------|---|-----------|----|-----------|
| A0 | 3.10±0.1 | P0 | 4.00±0.1 | T | 0.20±0.05 | D0 | 1.60(MAX) |
| B0 | 3.70±0.1 | P1 | 4.00±0.1 | E | 1.75±0.1  | D1 | 1.05(MIN) |
| K0 | 1.00±0.1 | P2 | 2.00±0.1 | F | 3.50±0.05 | V  | 8.00±0.1  |

## b) Reel Dimension (max 4,000 pcs)

(unit: mm)

**Notes:**

- 1) Quantity: The quantity/reel is 4,000 pcs
- 2) All dimensions are millimeters (tolerance :  $\pm 0.2$ mm)
- 3) Packaging: P/N, Manufacturing data code no. and quantity are indicated on the aluminum packing bag

c) Reel Dimension (max 16,000 pcs)

(unit: mm)



Notes:

- 1) Quantity: The quantity/reel is 16,000 pcs
- 2) All dimensions are millimeters (tolerance : ±0.2mm)
- 3) Packaging: P/N, Manufacturing data code no. and quantity are indicated on the aluminum packing bag

## 8. Label Structure

### a) Label Structure



Note: Denoted bin code and product code above is only an example (see description on page 6)

Bin Code:

- ⒶⒷ: Forward Voltage bin (refer to page 10)
- ⒸⒹ: Chromaticity bin (refer to page 11-18)
- ⒺⒻ: Luminous Flux bin (refer to page 7)

### b) Lot Number

The lot number is composed of the following characters:



①②③④⑤⑥⑦⑧⑨ / I(a)(b)(c) / 4,000 pcs

- ①② : Production site (G3 or GP : Shenzhen, China)
- ③ : Product state (A: Normal, B: Bulk, C: First Production, R: Reproduction, S: Sample)
- ④ : Year (A: 2016, B: 2017, C: 2018, D: 2019, E: 2020...)
- ⑤ : Month (1~9, A, B, C)
- ⑥ : Day (1~9, A, B~V)
- ⑦⑧⑨ a(b)(c) : Product serial number

## 9. Packing Structure

### a) Packing Process (The quantity of PKG on the Reel to be Max 4,000 pcs)

#### Reel



#### Aluminum Vinyl Packing Bag



#### Outer Box

Material: Paper (SW3B(B))

| Type     | Size (mm) |         |         | Note           |
|----------|-----------|---------|---------|----------------|
|          | L         | W       | H       |                |
| 7 inch L | 245 ± 5   | 220 ± 5 | 182 ± 5 | Up to 10 reels |
| 7 inch S | 245 ± 5   | 220 ± 5 | 86 ± 5  | Up to 5 reels  |

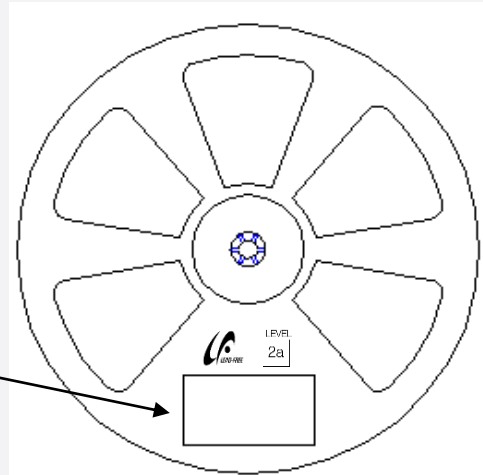
#### ① Side Label



b) Packing Process (The quantity of PKG on the Reel to be Max 16,000 pcs)

Reel

LM281BZ+ RA80 5000K  
**ERC A1R1RK**  
 SPMWH3228MD5WKR0RK A1R1RK  
 G3ACA4001 / IOAA / 16000 pcs  
**SAMSUNG**



Aluminum Vinyl Packing Bag

LM281BZ+ RA80 5000K  
**ERC A1R1RK**  
 SPMWH3228MD5WKR0RK A1R1RK  
 G3ACA4001 / IOAA / 16000 pcs  
**SAMSUNG**



Outer Box

LM281BZ+ RA80 5000K  
**ERC A1R1RK**  
 SPMWH3228MD5WAR0RK A1R1RK  
 G3ACA4001 / IOAA / 480000 pcs  
**SAMSUNG**



5 INNER/OUT BOX

6 REELS/INNER BOX

c) Packing Process for kitting (The quantity of PKG on the Reel to be Max 4,000 pcs)

Reel

Kitting 'A'

LM281BZ+ RA80 ★K  
 **A1★1RK**  
 SPMWH3228MD5WA★KRK A1★1RK  
 G3ACA4001 / IOAA / 4000 pcs  
**SAMSUNG**

Kitting 'B'

LM281BZ+ RA80 ★K  
 **A1★CRK**  
 SPMWH3228MD5WA★KRK A3★CRK  
 G3ACA4001 / IOAA / 4000 pcs  
**SAMSUNG**



Aluminum Vinyl Packing Bag

Kitting 'A'

LM281BZ+ RA80 ★K  
 **A1★1RK**  
 SPMWH3228MD5WA★KRK A1★1RK  
 G3ACA4001 / IOAA / 4000 pcs  
**SAMSUNG**

Kitting 'B'

LM281BZ+ RA80 ★K  
 **A1★CRK**  
 SPMWH3228MD5WA★KRK A3★CRK  
 G3ACA4001 / IOAA / 4000 pcs  
**SAMSUNG**



Outer Box

Kitting 'A'

LM281BZ+ RA80 ★K  
 **A1★1RK**  
 SPMWH3228MD5WA★KRK A1★1RK  
 G3ACA4001 / IOAA / 20000 pcs  
**SAMSUNG** [BOX Label]

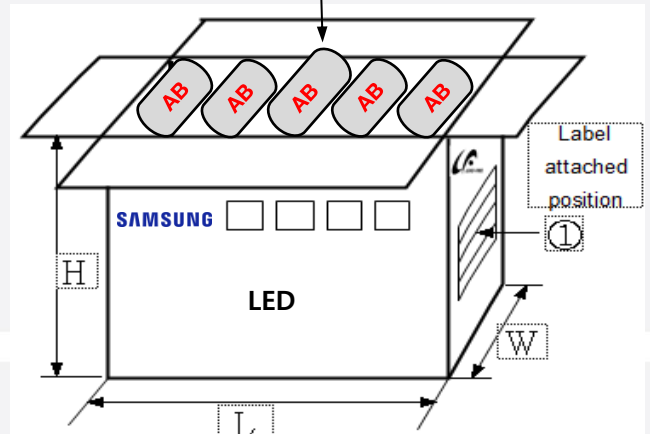
Kitting 'B'

LM281BZ+ RA80 ★K  
 **A1★CRK**  
 SPMWH3228MD5WA★KRK A3★CRK  
 G3ACA4001 / IOAA / 20000 pcs  
**SAMSUNG** [BOX Label]



Material: Paper (SW3B(B))

| Type     | Size (mm) |         |         | Note           |
|----------|-----------|---------|---------|----------------|
|          | L         | W       | H       |                |
| 7 inch L | 245 ± 5   | 220 ± 5 | 182 ± 5 | Up to 10 reels |




d) Packing Process for kitting (The quantity of PKG on the Reel to be Max 16,000 pcs)

Reel

Kitting 'A'

LM281BZ+ RA80 ★K  
 **A1★1RK**  
 SPMWH3228MD5WK★KRK A1★1RK  
 G3ACA4001 / IOAA / 16000 pcs  
**SAMSUNG**

Kitting 'B'

LM281BZ+ RA80 ★K  
 **A1★CRK**  
 SPMWH3228MD5WK★KRK A1★CRK  
 G3ACA4001 / IOAA / 16000 pcs  
**SAMSUNG**



Aluminum Vinyl Packing Bag

Kitting 'A'

LM281BZ+ RA80 ★K  
 **A1★1RK**  
 SPMWH3228MD5WK★KRK A1★1RK  
 G3ACA4001 / IOAA / 16000 pcs  
**SAMSUNG**

Kitting 'B'

LM281BZ+ RA80 ★K  
 **A1★CRK**  
 SPMWH3228MD5WK★KRK A1★CRK  
 G3ACA4001 / IOAA / 16000 pcs  
**SAMSUNG**



Outer Box

Kitting 'A'

LM281BZ+ RA80 ★K  
 **A1★1RK**  
 SPMWH3228MD5WK★KRK A1★1RK  
 G3ACA4001 / IOAA / 80000 pcs  
**SAMSUNG** [BOX Label]

Kitting 'B'

LM281BZ+ RA80 ★K  
 **A1★CRK**  
 SPMWH3228MD5WK★KRK A1★CRK  
 G3ACA4001 / IOAA / 80000 pcs  
**SAMSUNG** [BOX Label]



Material: Paper (SW3B(B))

| Type    | Size (mm) |         |         | Note           |
|---------|-----------|---------|---------|----------------|
|         | L         | W       | H       |                |
| 13 inch | 378 ± 5   | 345 ± 5 | 405 ± 5 | Up to 10 reels |



e) Aluminum Vinyl Packing Bag



**CAUTION**

This bag contains  
**MOISTURE SENSITIVE DEVICES**

**LEVEL**

2a

LM281BZ+ RA80 5000K



**A1R1RK**

SPMWH3228MD5WAR0RK A1R1RK  
 G3ACA4001 / 10AA / 4000 pcs  
 SAMSUNG






**주의 사항**

이 알루미늄 지퍼 백은 습기 및 정전기로부터 제품을 보호하기 위하여 제작되었습니다. 개봉 후에는 즉시 솔더 작업을 실시하는 것을 권장합니다.

습기 및 정전기로부터 제품을 보호 하기 위해서 개봉 후 사용하지 않는 자재는 본 팩에 넣어 보관 하시기 바랍니다. 사용하지 않는 자재를 본 팩에 넣을 때는 반드시 동봉된 드라이 팩과 함께 넣고 지퍼부분을 완전하게 밀봉하여 주시기 바랍니다.

**Important**

This Al Zipper bag is designed to protect the enclosed products from moisture and ESD. Once opened, the products should be soldered onto the printed circuit board immediately. When not in use, please do not leave the products unprotected by the Al Zipper Bag. To repack unused products., please ensure the zip-lock is completely sealed with the dry pack left inside.

1. Shelf life in sealed bag: 12 months at <math>40^{\circ}\text{C}</math> and <math>90\%</math> relative humidity (RH)

2. Peak package body temperature: <math>240^{\circ}\text{C}</math>

3. After this bag is opened, devices that will be subjected to reflow solder or other high temperature processes must be:

- a. Mounted within 672 hours at factory conditions of equal to or less than <math>30^{\circ}\text{C}</math> / <math>60\%</math> RH, or
- b. Stored at <math>10\%</math> RH

4. Devices require bake, before mounting, if:

- a. Humidity Indicator Card is ><math>60\%</math> when read at <math>23 \pm 5^{\circ}\text{C}</math>, or
- b. 2a is not met.

5. If baking is required, devices must be baked for 10 ~ 24 hours at <math>60 \pm 5^{\circ}\text{C}</math>

Note: If device containers cannot be subjected to high temperature or shorter bake times are desired, reference IPC/JEDEC J-STD-033 for bake procedure.

Bag seal due date: \_\_\_\_\_  
(If blank, see code label)

Note: Level and body temperature by IPC/JEDEC J-STD-020

f) Humidity Indicator Card inside Aluminum Vinyl Bag



## 10. Precautions in Handling & Use

- 1) For over-current protection, users are recommended to apply resistors connected in series with the LEDs to mitigate sudden change of the forward current caused by shift of forward voltage.
- 2) This device should not be used in any type of fluid such as water, oil, organic solvent, etc. When cleaning is required, IPA is recommended as the cleaning agent. Some solvent-based cleaning agent may damage the silicone resins used in the device.
- 3) When the device is in operation, the forward current should be carefully determined considering the maximum ambient temperature and corresponding junction temperature.
- 4) LEDs must be stored in a clean environment.  
(Shelf life of sealed bags is 12 months at temperature 0~40 °C, 0~90 % RH).
- 5) After storage bag is opened, device subjected to soldering, solder reflow, or other high temperature processes must be:
  - a. Mounted within 672 hours (28 days) at an assembly line with a condition of no more than 30 °C / 60 % RH<sup>\*Note 1</sup>, or
  - b. Mounted within 24 hours (1 day) at an assembly line with a condition of more than 30 °C / 70 % RH<sup>\*Note 2</sup>, or
  - c. Stored at <10 % RH.

\*Note 1, 2: IPC/JEDEC J-STD-033A, Recommended Equivalent Total Floor Life Table

| Package Type and Body Thickness | Moisture Sensitivity Level | Maximum Percent Relative Humidity |     |     |     |     |     | Temperature |
|---------------------------------|----------------------------|-----------------------------------|-----|-----|-----|-----|-----|-------------|
|                                 |                            | 40%                               | 50% | 60% | 70% | 80% | 90% |             |
| Body Thickness <2.1mm           | Level 2a                   | ∞                                 | ∞   | 28  | 1   | 1   | 1   | 30°C        |
|                                 |                            | ∞                                 | ∞   | ∞   | 2   | 1   | 1   | 25°C        |
|                                 |                            | ∞                                 | ∞   | ∞   | 2   | 2   | 1   | 20°C        |

- 6) Repack unused devices with anti-moisture packing, fold to close any opening and then store in a dry place.
- 7) Devices require baking before mounting, if humidity card reading is >60 % at 23 ± 5 °C.
- 8) Devices must be baked for 10~24 hours at 60 ± 5 °C, if baking is required.
- 9) The LEDs are sensitive to the static electricity and surge current. It is recommended to use a wrist band or anti-electrostatic glove when handling the LEDs. If voltage exceeding the absolute maximum rating is applied to LEDs, it may cause damage or even destruction to LED devices. Damaged LEDs may show some unusual characteristics such as increase in leakage current, lowered turn-on voltage, or abnormal lighting of LEDs at low current.
- 10) VOCs (Volatile Organic Compounds) can be generated from adhesives, flux, hardener or organic additives used in luminaires (fixtures). Transparent LED silicone encapsulant is permeable to those chemicals and they may lead to a discoloration of encapsulant when they exposed to heat or light. This phenomenon can cause a significant loss of light emitted (output) from the luminaires. In order to prevent these problems, we recommend users to know the physical properties of materials used in luminaires and they must be carefully selected.
- 11) Risk of sulfurization (or tarnishing)  
The LED from Samsung uses a silver-plated lead frame and its surface color may change to black (or dark colored) when it is exposed to sulfur (S), chlorine (Cl) or other halogen compound. Sulfurization of lead frame may cause intensity degradation, change of chromaticity coordinates and, in extreme cases, open circuit. It requires caution. Due to possible sulfurization of lead frame, LED should not be used and stored together with oxidizing substances made of materials such as rubber, plain paper, lead solder cream, etc.

# Legal and additional information.

## [About Samsung Electronics Co., Ltd.](#)

Samsung inspires the world and shapes the future with transformative ideas and technologies.

The company is redefining the worlds of TVs, smartphones, wearable devices, tablets, digital appliances, network systems, and memory, system LSI, foundry and LED solutions.

For the latest news, please visit the Samsung Newsroom at [news.samsung.com](http://news.samsung.com).

Copyright © 2020 Samsung Electronics Co., Ltd. All rights reserved.

Samsung is a registered trademark of Samsung Electronics Co., Ltd.

Specifications and designs are subject to change without notice. Non-metric weights and measurements are approximate. All data were deemed correct at time of creation. Samsung is not liable for errors or omissions. All brand, product, service names and logos are trademarks and/or registered trademarks of their respective owners and are hereby recognized and acknowledged.

Samsung Electronics Co., Ltd.

95, Samsung 2-ro

Giheung-gu

Yongin-si, Gyeonggi-do, 446-711

KOREA

[www.samsungled.com](http://www.samsungled.com)

**SAMSUNG**

## Looking for pricing, stock, or lifecycle information?

Click below to explore more details on WIN SOURCE:

- ⊖ [View SPMWH3228FD5WAQ0SC on WIN SOURCE](#)
- ⊖ [Samsung Information](#)

## Optimize Your Supply Chain with WIN SOURCE Solutions

- ✓ Global Sourcing Solution
- ✓ Obsolete Management
- ✓ Cost Control Management
- ✓ Shortage Management
- ✓ Alternative Solution
- ✓ Excess Inventory Management