



THE DATASHEET OF SSF-LXH240SUGSID



PART NUMBER	SSF-LXH240SUGSID	REV.	A
DATE	E.C.N. NUMBER AND REVISION COMMENTS	REV.	
06.23.11	E.C.N. #10BRDR. & REDRAWN/#11729.	REV.	A

Ⓜ ELECTRO-OPTICAL CHARACTERISTICS $I_A=25^\circ\text{C}$

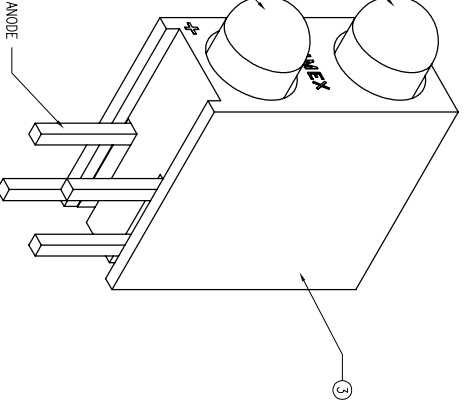
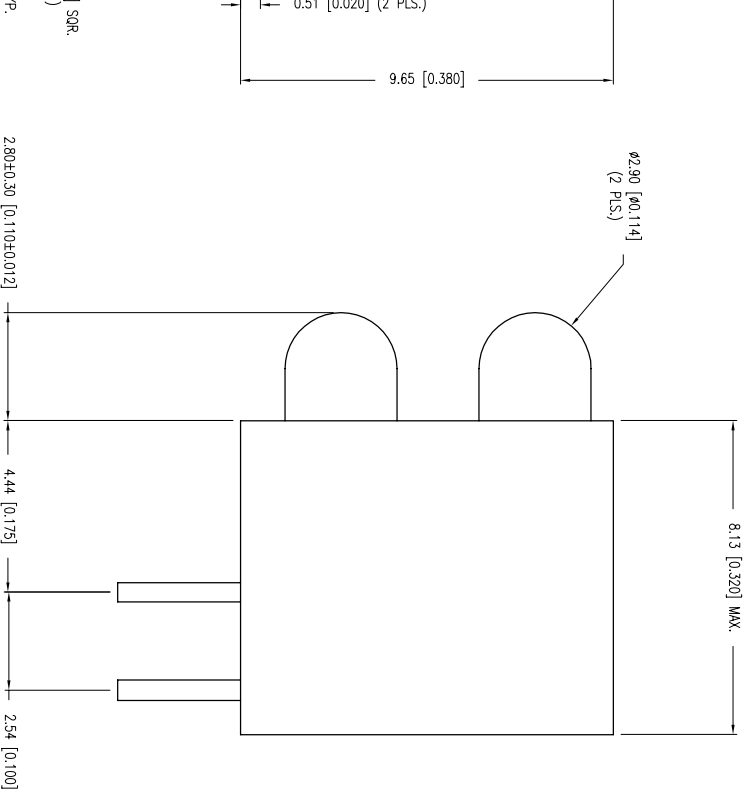
PARAMETER	MIN	TYP	MAX	UNITS	TEST COND
PEAK WAVELENGTH (G/R)		574/690		nm	
FORWARD VOLTAGE (G/R)		2.1/1.9	2.5	V _f	$I_f=100\mu\text{A}$
REVERSE VOLTAGE	5.0			V _r	
AXIAL INTENSITY (G/R)		180/1000		med	$I_f=10\text{mA}$
VIEWING ANGLE		40		2x theta	
EMITTED COLOR:		GREEN/RED			
EPOXY LENS FINISH:		COLOR DIFFUSED			

Ⓜ LIMITS OF SAFE OPERATION AT 25°C

PARAMETER	MAX	UNITS
PEAK FORWARD CURRENT* (G/R)	150/185	mA
STEADY CURRENT (G/R)	30	mA
POWER DISSIPATION	75	mW
DERATE FROM 25°C	-1.2	mW/°C
OPERATING TEMP.	-40 TO +85	°C
STORAGE TEMP.	-40 TO +85	°C
SOLDERING TEMP.	+280	°C
2.0mm FROM BODY		
* <1.0US		3 SEC. MAX

BILL OF MATERIALS:

- SSI-LX3044SUD LED.
- SSI-LX3044SID LED.
- SSH-LXH240 HOLDER. MATERIAL: BLACK NYLON 94W-0.



X±.1 (+0.039), XX±0.5 (+0.020), XXX±0.25 (+0.010), XXXX±0.127 (+0.005), LEAD SIZE±0.05 (+0.002), LEAD LENGTH±0.75 (+0.030), MIN= -0.00

UNCONTROLLED DOCUMENT

HELEN ROAD
LE, IL 60067-6976
+1.847.359.2790
1.847.359.6538
WWW.LUXEY.COM

T-3mm LED, RIGHT ANGLE FAULT INDICATOR, 574/636nm GREEN/RED LEDS, COLOR DIFFUSED.

•THE SPECIFICATIONS MAY CHANGE AT ANY TIME WITHOUT NOTICE DUE TO NEW MATERIALS OR PRODUCT IMPROVEMENT•

CONFIDENTIAL INFORMATION
THE INFORMATION CONTAINED IN THIS DOCUMENT IS THE PROPERTY OF LUXEY INC. EXCEPT AS SPECIFICALLY AUTHORIZED IN WRITING BY LUXEY INC., THE HOLDER OF THIS DOCUMENT SHALL KEEP ALL INFORMATION CONTAINED HEREIN CONFIDENTIAL AND SHALL PROTECT SAME IN WHOLE OR IN PART FROM DISCLOSURE AND DISSEMINATION TO ALL THIRD PARTIES.

DATE:	06.23.11	DRAWN BY:	AB
PAGE:	1 OF 1	CHKD BY:	KF
SCALE:	NTS	APRVD BY:	KF
UNIT:	mm [INCH]		

Looking for pricing, stock, or lifecycle information?

Click below to explore more details on WIN SOURCE:

- ⊖ [View SSF-LXH240SUGSID on WIN SOURCE](#)
- ⊖ [Lumex Opto/Components Inc. Information](#)

Optimize Your Supply Chain with WIN SOURCE Solutions

- ✓ Global Sourcing Solution
- ✓ Obsolete Management
- ✓ Cost Control Management
- ✓ Shortage Management
- ✓ Alternative Solution
- ✓ Excess Inventory Management