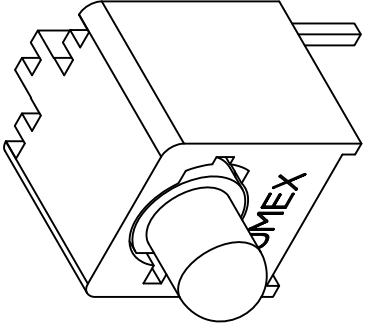
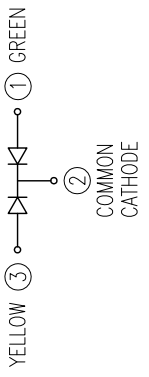
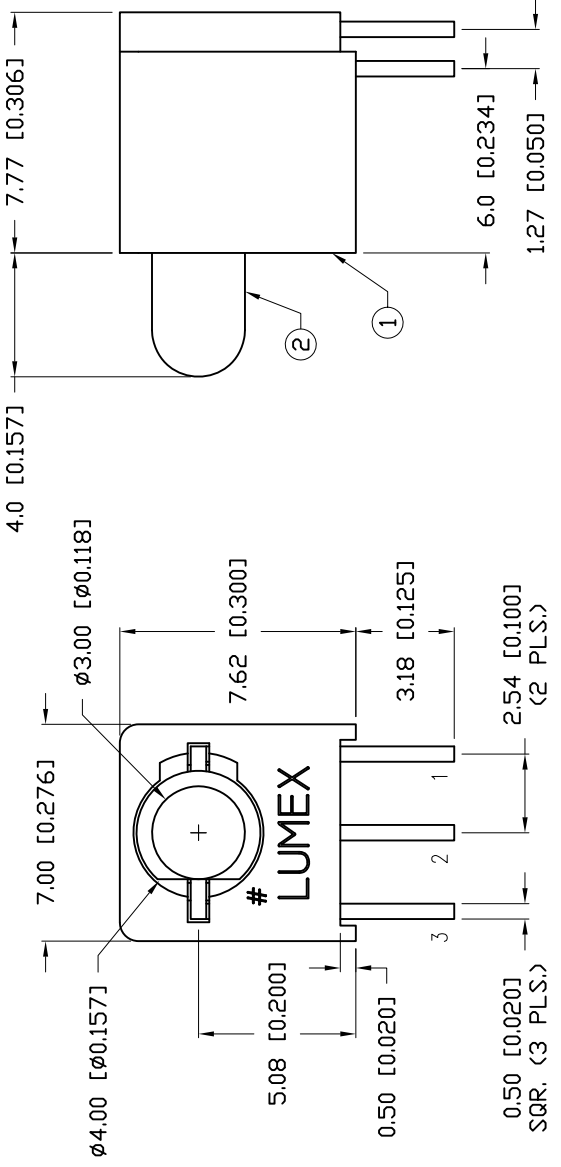




**THE DATASHEET OF
SSF-LXH409SYSUGW**



PART NUMBER	SSF
DATE	E.C.I
12.28.12	E.C.N. #10BRDR.



ELECTRO-OPTICAL CHARACTERISTICS

PARAMETER	MIN
PEAK WAVELENGTH	5.0
FORWARD VOLTAGE (Y/G)	5.0
REVERSE VOLTAGE (Y/G)	5.0
AXIAL INTENSITY (Y/G)	5.0
VIEWING ANGLE	5.0
EMITTED COLOR:	YELLOW/GREEN
EPOXY LENS FINISH:	MILKY WHITE

LIMITS OF SAFE OPERATION AT 25°C

PARAMETER	COLOR
PEAK FORWARD CURRENT*	(Y/G)
STEADY CURRENT	(Y/G)
POWER DISSIPATION	(Y/G)
DERATE FROM 25°C	(Y/G)
OPERATING, STORAGE TEMP.	(Y/G)
SOLDERING TEMP.	(Y/G)
2.0mm FROM BODY	(Y/G)

* t<10µs

NOTES:

- SSH-LXH409,
- SSL-LX3059S

*UNLESS OTHERWISE SPECIFIED TOLERANCES PER DECIMAL PRECISION ARE: X=±1 (±0.039), X.X=±0.5 (±0.020), X.XX=±0.25 (±0.010), X.XXX=±0.127 (±0.005), LEAD SIZE=±0.05 (±0.002), LEAD LENGTH=±0.75 (±0.030), MIN.= -0.00, DECIMAL PRECISION MAX.= +0.00, -0.00

625 N. GARY AVE.
 CAROL STREAM, IL 60188-4900
 PHONE: +1.800.278.5666
 FAX: +1.630.315.2152
 WEB: WWW.LUMEX.COM
 MEMBER OF ITW PHOTONICS GROUP

T=4mm RIGHT ANGLE INDICATOR, 3 LEADS, COMMON CATHODE, AlnGoP YELLOW/GREEN BICOLOR, WHITE DIFFUSION
 THE SPECIFICATIONS MAY CHANGE AT ANY TIME WITHOUT NOTICE DUE TO NEW MATERIALS OR PRODUCT IMPROVEMENT.
 CONFIDENTIAL INFORMATION
 THE INFORMATION CONTAINED IN THIS DOCUMENT IS THE PROPERTY OF LUMEX INC. THE HOLDER OF THIS DOCUMENT SHALL KEEP ALL INFORMATION CONTAINED HEREIN CONFIDENTIAL AND SHALL PROTECT SAME IN WHOLE OR IN PART FROM DISCLOSURE AND DISSEMINATION TO ALL THIRD PARTIES.

Looking for pricing, stock, or lifecycle information?

Click below to explore more details on WIN SOURCE:

- ⊖ [View SSF-LXH409SYSUGW on WIN SOURCE](#)
- ⊖ [Lumex Opto/Components Inc. Information](#)

Optimize Your Supply Chain with WIN SOURCE Solutions

- ✓ Global Sourcing Solution
- ✓ Obsolete Management
- ✓ Cost Control Management
- ✓ Shortage Management
- ✓ Alternative Solution
- ✓ Excess Inventory Management