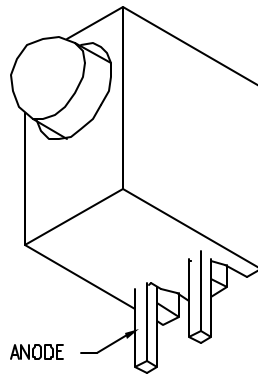
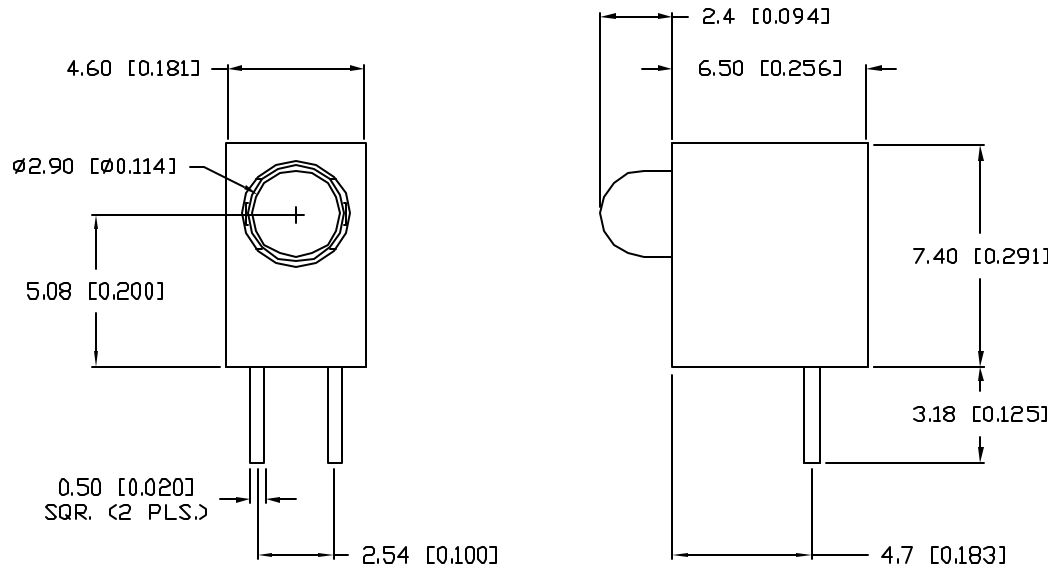


UNCONTROLLED DOCUMENT

PART NUMBER
SSF-LXH103LGD

REV.
F

| REV. | E.C.N. NUMBER AND REVISION COMMENTS | DATE |
|------|-------------------------------------|----------|
| A | REDRAWN./ | 9.21.03 |
| B | CHG'D LEAD LENGTH./ | 10.2.93 |
| C | E.C.N. #10285 | 12.18.96 |
| D | E.C.N. #10295. | 1.12.97 |
| E | E.C.N. #10304. | 2.03.97 |
| F | E.C.N. #11148 & REDRAWN | 12.06.04 |



ELECTRO-OPTICAL CHARACTERISTICS $T_A=25^\circ\text{C}$ $I_f=20\text{mA}$

| PARAMETER | MIN | TYP | MAX | UNITS | TEST COND |
|--------------------|----------------|-------------|-----|----------|----------------------|
| PEAK WAVELENGTH | | 565 (GREEN) | | nm | |
| FORWARD VOLTAGE | | 2.1 | 2.5 | V_f | |
| REVERSE VOLTAGE | 5.0 | | | V_r | $I_r=100\mu\text{A}$ |
| AXIAL INTENSITY | | 15 | | mcd | $I_f=20\text{mA}$ |
| | 1.0 | 15 | | mcd | $I_f=2\text{mA}$ |
| VIEWING ANGLE | | 80 | | 2x theta | |
| EMITTED COLOR: | GREEN | | | | |
| EPOXY LENS FINISH: | GREEN DIFFUSED | | | | |

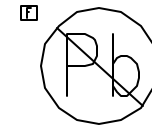
LIMITS OF SAFE OPERATION AT 25°C

| PARAMETER | MAX | UNITS |
|--------------------------------|------------|----------------------|
| PEAK FORWARD CURRENT* | 150 | mA |
| STEADY CURRENT | 25 | mA |
| POWER DISSIPATION | 105 | mW |
| DERATE FROM 25°C | -1.6 | mW/ $^\circ\text{C}$ |
| OPERATING, STORAGE TEMP. | -40 TO +85 | $^\circ\text{C}$ |
| SOLDERING TEMP. | +260 | $^\circ\text{C}$ |
| 2.0mm FROM BODY | | 3 SEC. MAX |

* $t < 10\mu\text{s}$

NOTES:

- SSH-LXH103 HOLDER.
- SSL-LX3044LGD LED.



*UNLESS OTHERWISE SPECIFIED TOLERANCES PER DECIMAL PRECISION ARE: X=±1 (±0.039), XX=±0.5 (±0.020), XXX=±0.25 (±0.010), XXXX=±0.127 (±0.005), LEAD SIZE=±0.05 (±0.002), LEAD LENGTH=±0.75 (±0.030), MIN.= +DECIMAL PRECISION -0.00, MAX.= +0.00 -DECIMAL PRECISION

| REV. | PART NUMBER |
|--|---------------|
| F | SSF-LXH103LGD |
| T-3mm SINGLE LEVEL, FAULT INDICATOR, LOW CURRENT OPERATION, GREEN DIFFUSED. | |

CONFIDENTIAL INFORMATION
 THE INFORMATION CONTAINED IN THIS DOCUMENT IS THE PROPERTY OF LUMEX INC. EXCEPT AS SPECIFICALLY AUTHORIZED IN WRITING BY LUMEX INC., THE HOLDER OF THIS DOCUMENT SHALL KEEP ALL INFORMATION CONTAINED HEREIN CONFIDENTIAL AND SHALL PROTECT SAME IN WHOLE OR IN PART FROM DISCLOSURE AND DISSEMINATION TO ALL THIRD PARTIES.

RELIABILITY NOTE
 OUR MANY YEARS OF EXPERIENCE DATA ACCUMULATION INDICATE THAT SOLDER HEAT IS A MAJOR CAUSE OF EARLY AND FUTURE FAILURE. PLEASE PAY ATTENTION TO YOUR SOLDERING PROCESS.

LUMEX
 290 E. HELEN ROAD
 PALATINE, IL 60067-6976
 PHONE: +1.847.359.2790
 US WEB: www.lumex.com
 TW WEB: www.lumex.com.tw

| | | | |
|-----------------|-------------|--------------|--|
| DRAWN BY: JD | CHECKED BY: | APPROVED BY: | DATE: 12.06.04 PAGE: 1 OF 1 SCALE: N/A |
|-----------------|-------------|--------------|--|

UNCONTROLLED DOCUMENT

Looking for pricing, stock, or lifecycle information?

Click below to explore more details on WIN SOURCE:

-  [View SSF-LXH103LGD on WIN SOURCE](#)
-  [Lumex Opto/Components Inc. Information](#)

Optimize Your Supply Chain with WIN SOURCE Solutions

-  Global Sourcing Solution
-  Obsolete Management
-  Cost Control Management
-  Shortage Management
-  Alternative Solution
-  Excess Inventory Management