



**THE DATASHEET OF
SSA-LXB10SRW-10652**



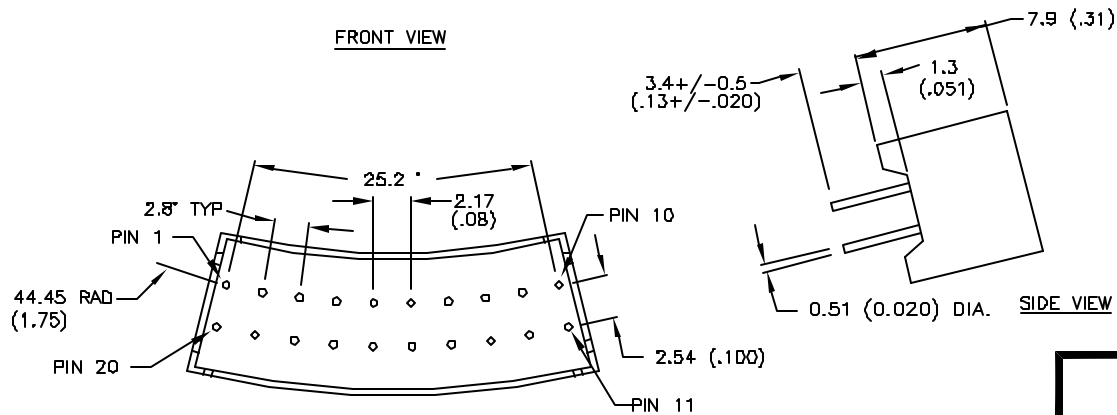
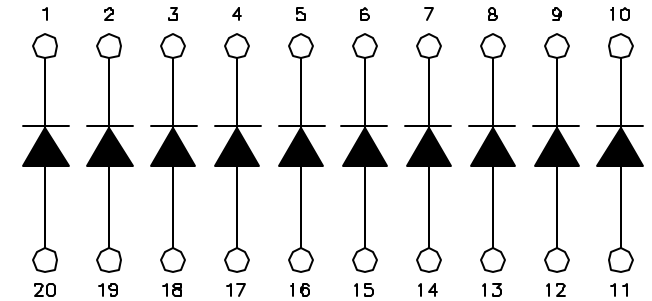
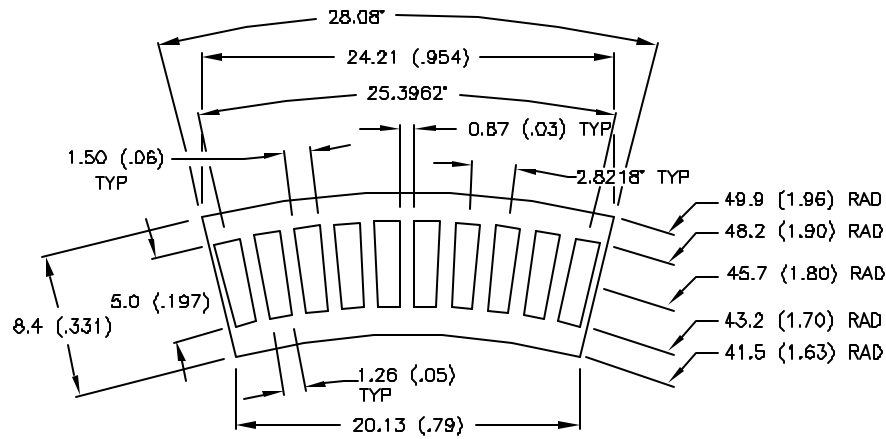
DATE

REVISIONS

REV

DRAWING NUMBER
SSA-LXB10SRW-10652

REV



LUMEX
OPTO COMPONENTS INC.

290 E. HELLEN ROAD
PALATINE, ILLINOIS 60067
(847) 359-2790

CONFIDENTIAL INFORMATION
THE INFORMATION CONTAINED IN THIS DOCUMENT IS THE PROPERTY OF LUMEX OPTO/COMPONENTS, INC. EXCEPT AS SPECIFICALLY AUTHORIZED IN WRITING BY LUMEX OPTO/COMPONENTS, INC., THE HOLDER OF THIS DOCUMENT SHALL KEEP ALL INFORMATION CONTAINED HEREIN CONFIDENTIAL AND SHALL PROTECT SAME IN WHOLE OR IN PART FROM DISCLOSURE AND DISSEMINATION TO ALL THIRD PARTIES.

| | | | |
|--------------|------|--------|-------|
| DATE: 3-9-95 | DWN: | CHK'D: | APPD: |
| SCALE: N/A | | | |

CUSTOM 10 SEGMENT LED ARRAY,
SUPER RED

UNLESS OTHERWISE SPECIFIED TOLERANCE IS ±.25mm (±0.010")

PAGE 1 OF 2

DRAWING NUMBER
SSA-LXB10SRW-10652

REV

Looking for pricing, stock, or lifecycle information?

Click below to explore more details on WIN SOURCE:

- ⊖ [View SSA-LXB10SRW-10652 on WIN SOURCE](#)
- ⊖ [Lumex Opto/Components Inc. Information](#)

Optimize Your Supply Chain with WIN SOURCE Solutions

- ✓ Global Sourcing Solution
- ✓ Obsolete Management
- ✓ Cost Control Management
- ✓ Shortage Management
- ✓ Alternative Solution
- ✓ Excess Inventory Management