



**THE DATASHEET OF
SSF-LXH4RA5BID**



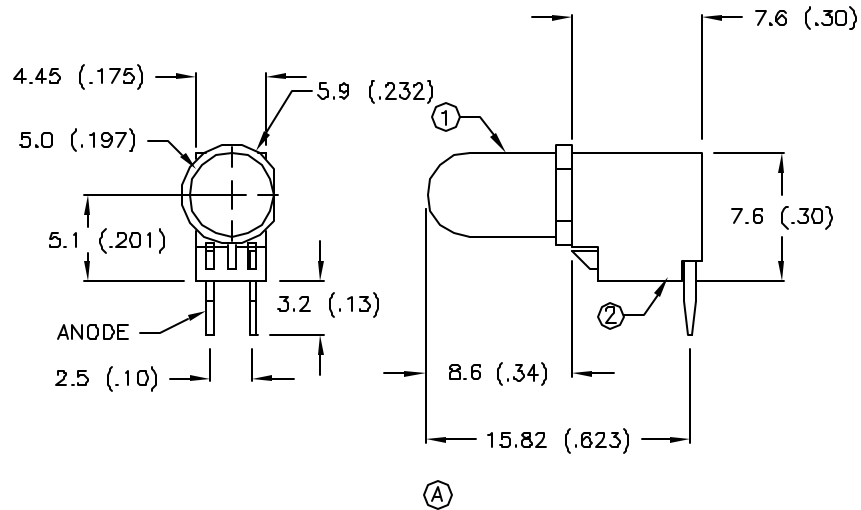
DATE	REVISIONS	REV
7-5-95	UPDATED SPECS. & DIM WHERE NOTED./	A

DRAWING NUMBER	REV
SSF-LXH4RA5BID	A

UNCONTROLLED DOCUMENT

ELECTRO-OPTICAL CHARACTERISTICS TA=25 °C If=20mA

PARAMETER	MIN	TYP	MAX	UNITS	TEST COND
PEAK WAVELENGTH		635 (RED)		nm	
FORWARD VOLTAGE		3.5	13	V _f	
AXIAL INTENSITY		20		mcd	V _f =9.0
BLINKING FREQUENCY		1.5		Hz	V _f =13.0
		2.5		Hz	V _f =3.5
VIEWING ANGLE		60		2x theta	
EMITTED COLOR:		RED			
EPOXY LENS FINISH:		RED DIFFUSED			



NOTES:

1. SSL-LX50938BID LED.
2. IFS-LX4FRA-1 LAMP SOCKET.
3. CUT LED LEADS 5mm LONG.
4. ASSEMBLE IN SOCKET, POLARITY AS SHOWN.

LIMITS OF SAFE OPERATION AT 25 DEG. C

PARAMETER	MAX	UNITS
FORWARD CURRENT	70	mA
FORWARD VOLTAGE	13	V
POWER DISSIPATION	200	mW
OPERATING, STORAGE TEMP.	-40 TO +85	°C
LEAD SOLDERING TEMP.	+260	°C
2.0mm FROM BODY		3 SEC. MAX

UNCONTROLLED DOCUMENT

LUMEX OPTO COMPONENTS INC.		292 E. HELLEN ROAD PALATINE, ILLINOIS 60067 (708) 359-2790
DATE: 8-23-93	APPROVED BY:	DRAWN BY:
SCALE: DO NOT SCALE		
T-1 3/4 LAMP, BLINKING RED FAULT INDICATOR		
PAGE 1 OF 1	DRAWING NUMBER SSF-LXH4RA5BID	REV A

FXH4RA5B

Looking for pricing, stock, or lifecycle information?

Click below to explore more details on WIN SOURCE:

-  [View SSF-LXH4RA5BID on WIN SOURCE](#)
-  [Lumex Opto/Components Inc. Information](#)

Optimize Your Supply Chain with WIN SOURCE Solutions

-  Global Sourcing Solution
-  Obsolete Management
-  Cost Control Management
-  Shortage Management
-  Alternative Solution
-  Excess Inventory Management